



US00D955584S

(12) **United States Design Patent** (10) **Patent No.:** **US D955,584 S**
Keeler (45) **Date of Patent:** **** Jun. 21, 2022**

(54) **MASSAGE TABLE**
(71) Applicant: **Lyla Jean Keeler**, Woodland Park, CO (US)
(72) Inventor: **Lyla Jean Keeler**, Woodland Park, CO (US)
(**) Term: **15 Years**
(21) Appl. No.: **29/736,389**
(22) Filed: **May 29, 2020**
(51) **LOC (13) Cl.** **24-02**
(52) **U.S. Cl.**
USPC **D24/183**
(58) **Field of Classification Search**
USPC D24/107, 158-161, 183-184, 187, 200, D24/201; D6/595-596, 601, 604-605, D6/336-337, 382, 384
CPC A61M 16/101; A61H 1/00; A61G 13/009; A61G 13/121
See application file for complete search history.

8,133,260 B1 * 3/2012 Kellner A61F 5/04 606/241
D815,461 S * 4/2018 Christmas D6/605
2021/0298499 A1 * 9/2021 Kim A47G 9/10

FOREIGN PATENT DOCUMENTS

CN 202030152613.3 * 3/2021

OTHER PUBLICATIONS

Wooden massage table. Online, published date unknown. Retrieved on Nov. 14, 2021 from URL: <https://www.salonfurniturecheap.com/product/wooden-massage-table.html>.*

* cited by examiner

Primary Examiner — Omeed Agilee
(74) *Attorney, Agent, or Firm* — Martensen IP; Michael C. Martensen

(57) **CLAIM**

The ornamental design for a massage table, as shown and described.

DESCRIPTION

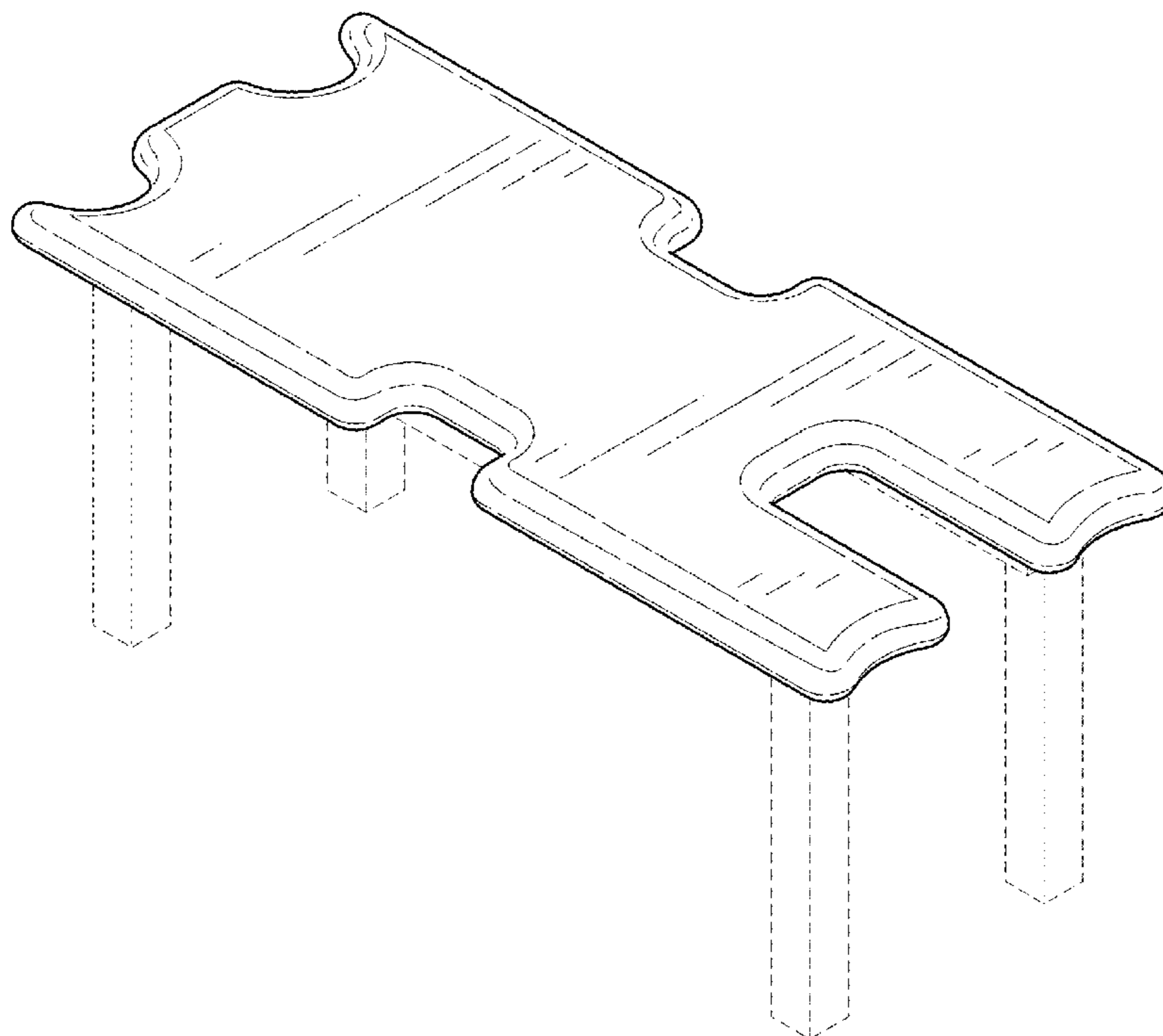
FIG. 1 is an upper perspective view of the massage table; FIG. 2 is a lower perspective view of the massage table; FIG. 3 is a side view thereof; FIG. 4 is a view of other side thereof; FIG. 5 is a back view thereof; FIG. 6 is a front view thereof; FIG. 7 is a top view thereof; and, FIG. 8 is a bottom view thereof.
The broken lines shown in the drawings depict portions of the massage table that form no part of the claimed design.

1 Claim, 8 Drawing Sheets

(56) **References Cited**

U.S. PATENT DOCUMENTS

D33,763 S * 12/1900 Meinecke et al. D6/604
5,846,212 A * 12/1998 Beeuwkes, III A61H 1/00 601/38
5,860,174 A * 1/1999 Failor A61G 7/103 5/81.1 HS
D418,689 S * 1/2000 Royston D24/183
D462,439 S * 9/2002 Montgomery D24/124
7,472,441 B1 * 1/2009 Steffensmeier A61G 13/009 5/610
7,650,177 B2 * 1/2010 Hoarau A61B 5/6886 600/344



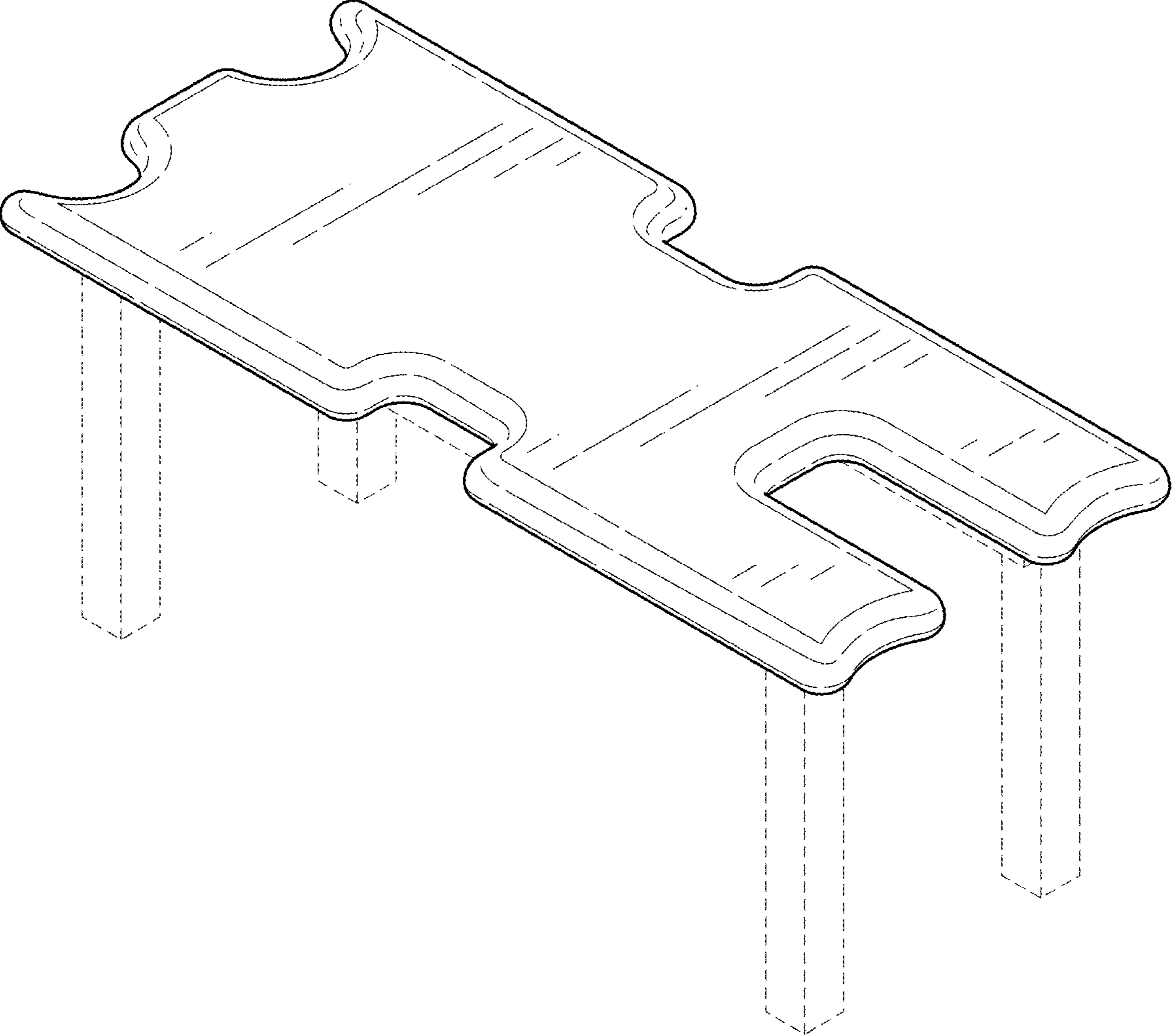


FIG.1

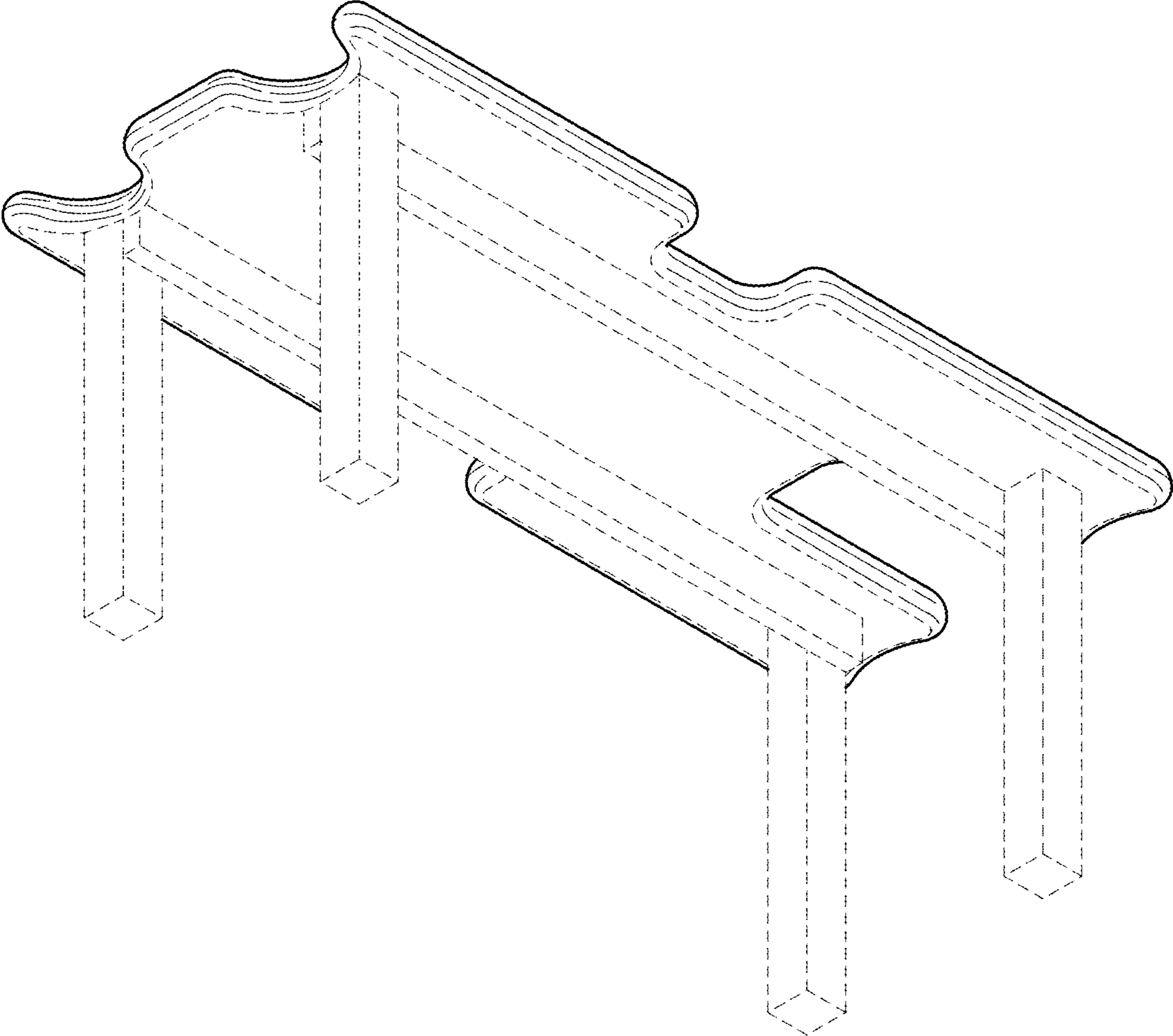


FIG.2

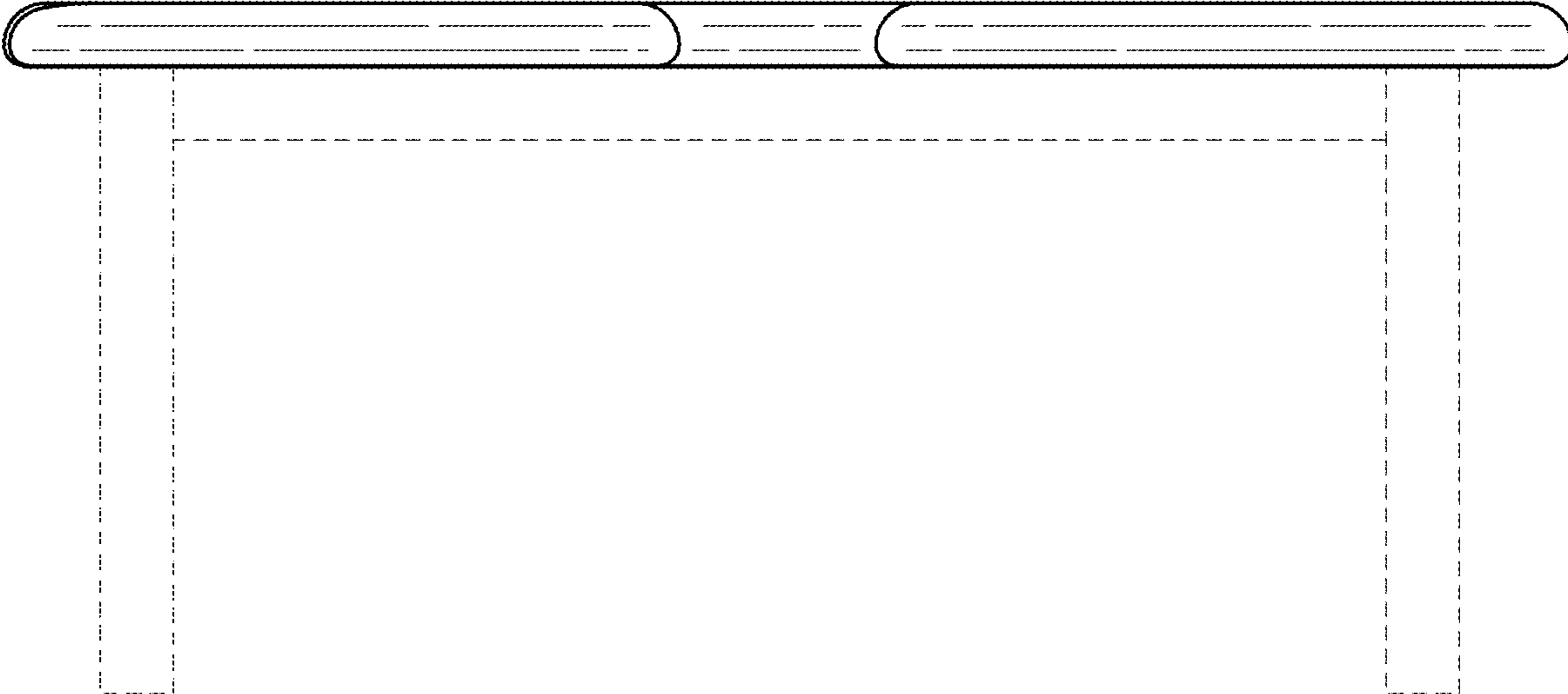


FIG.3

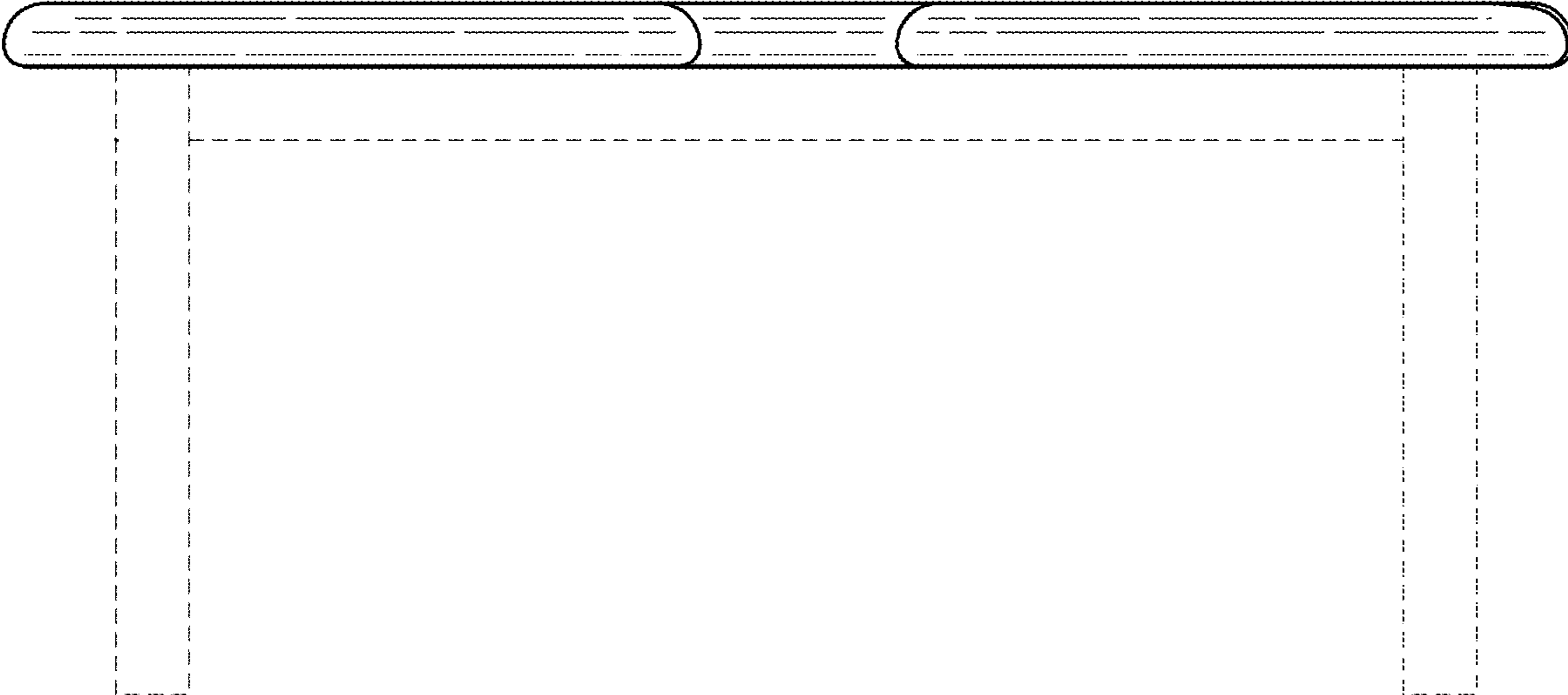


FIG.4

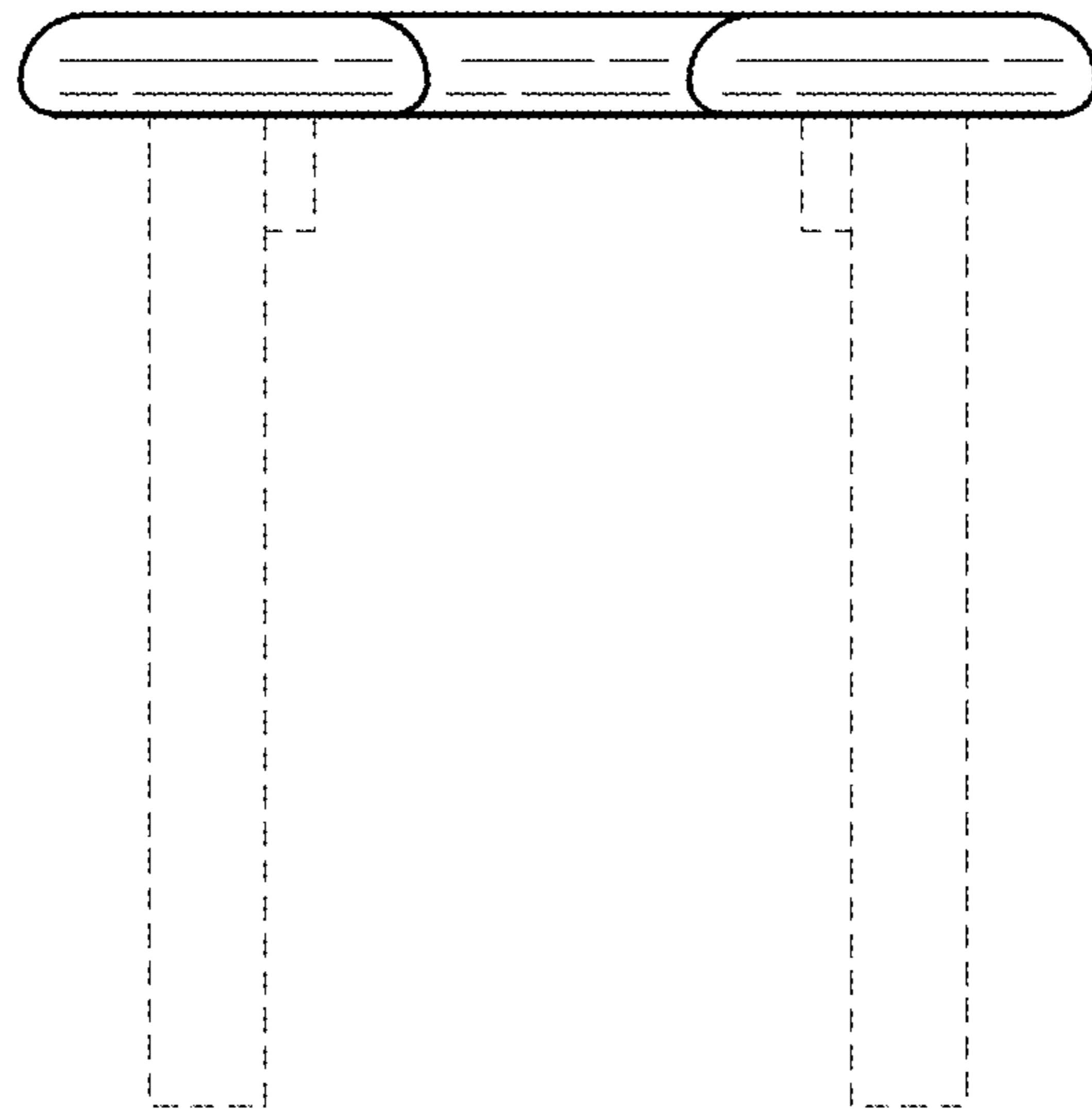


FIG.5

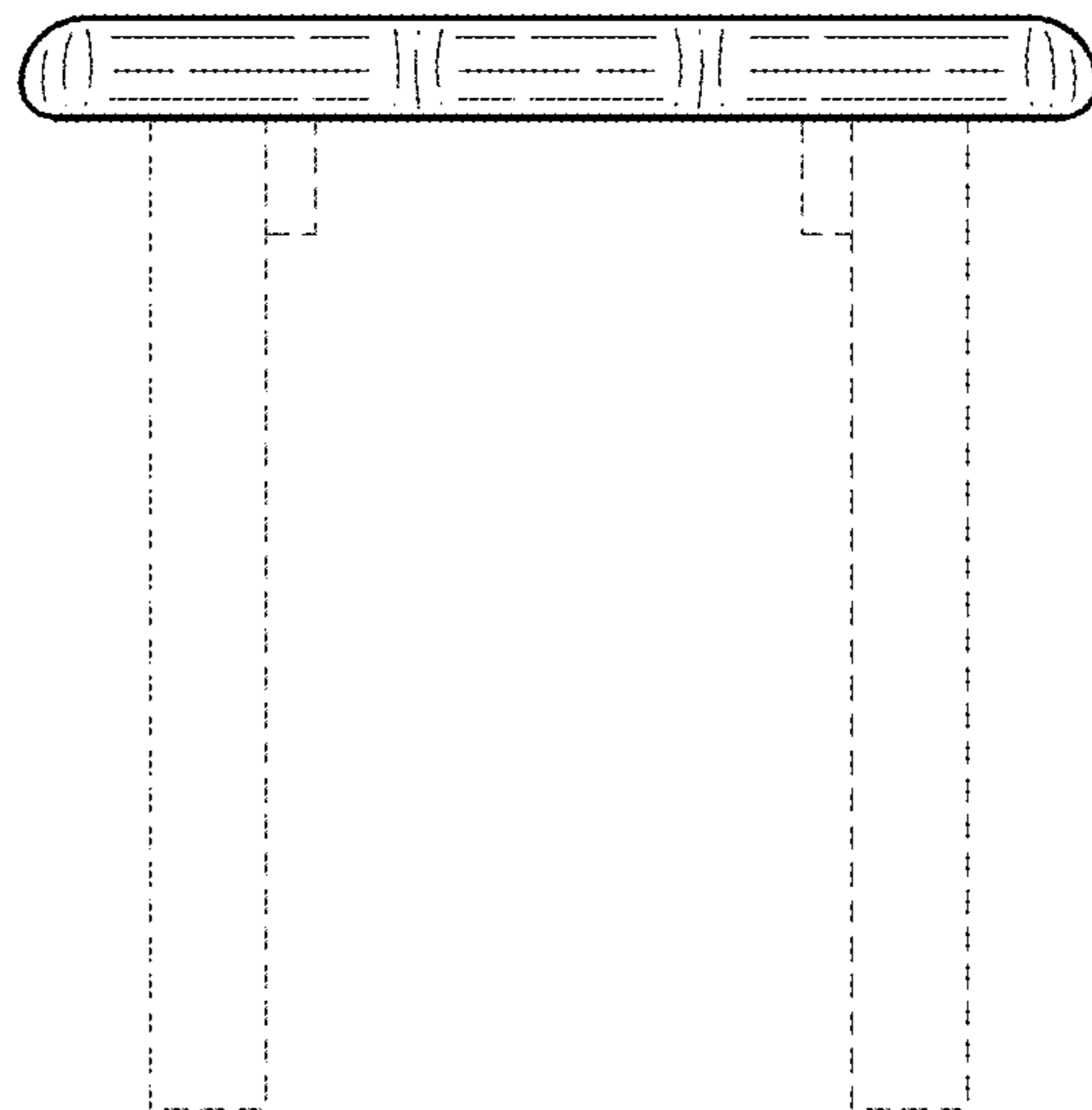


FIG.6

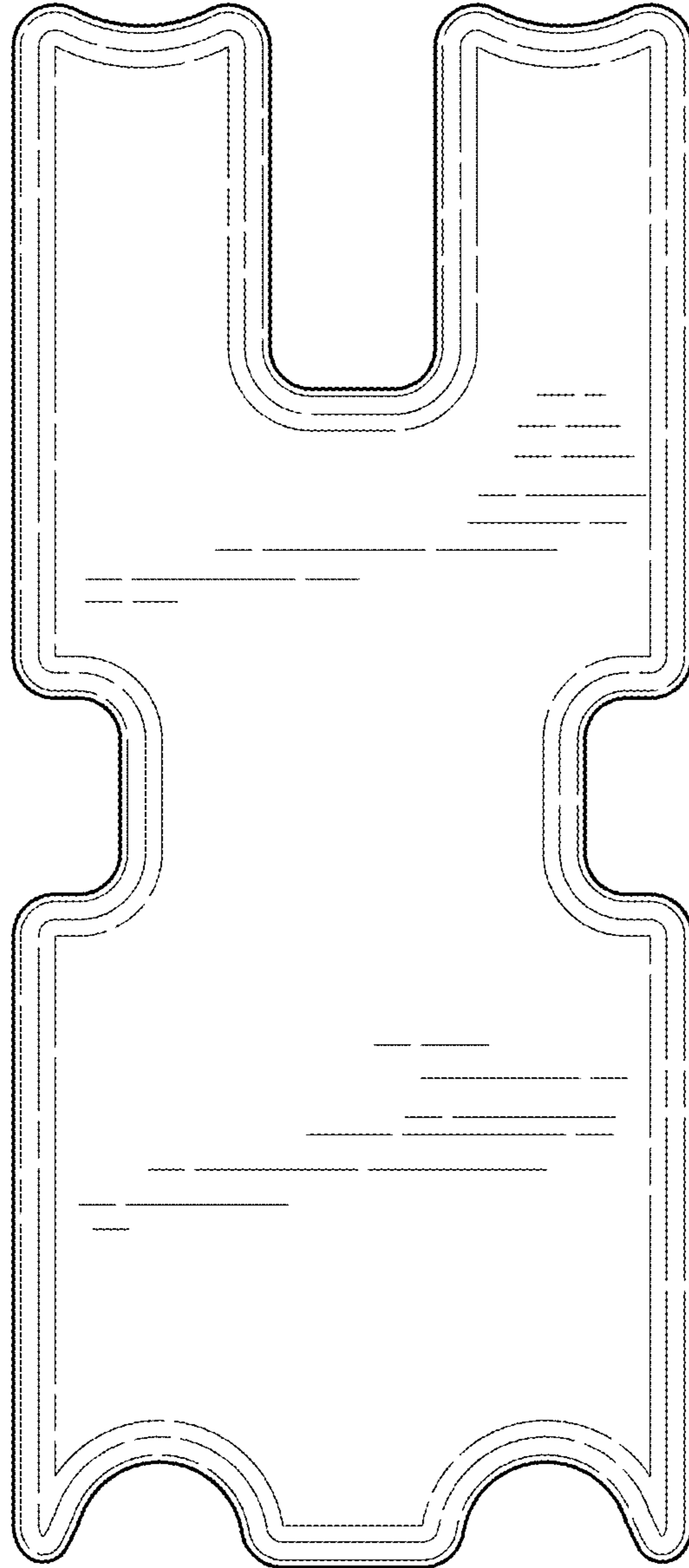


FIG.7

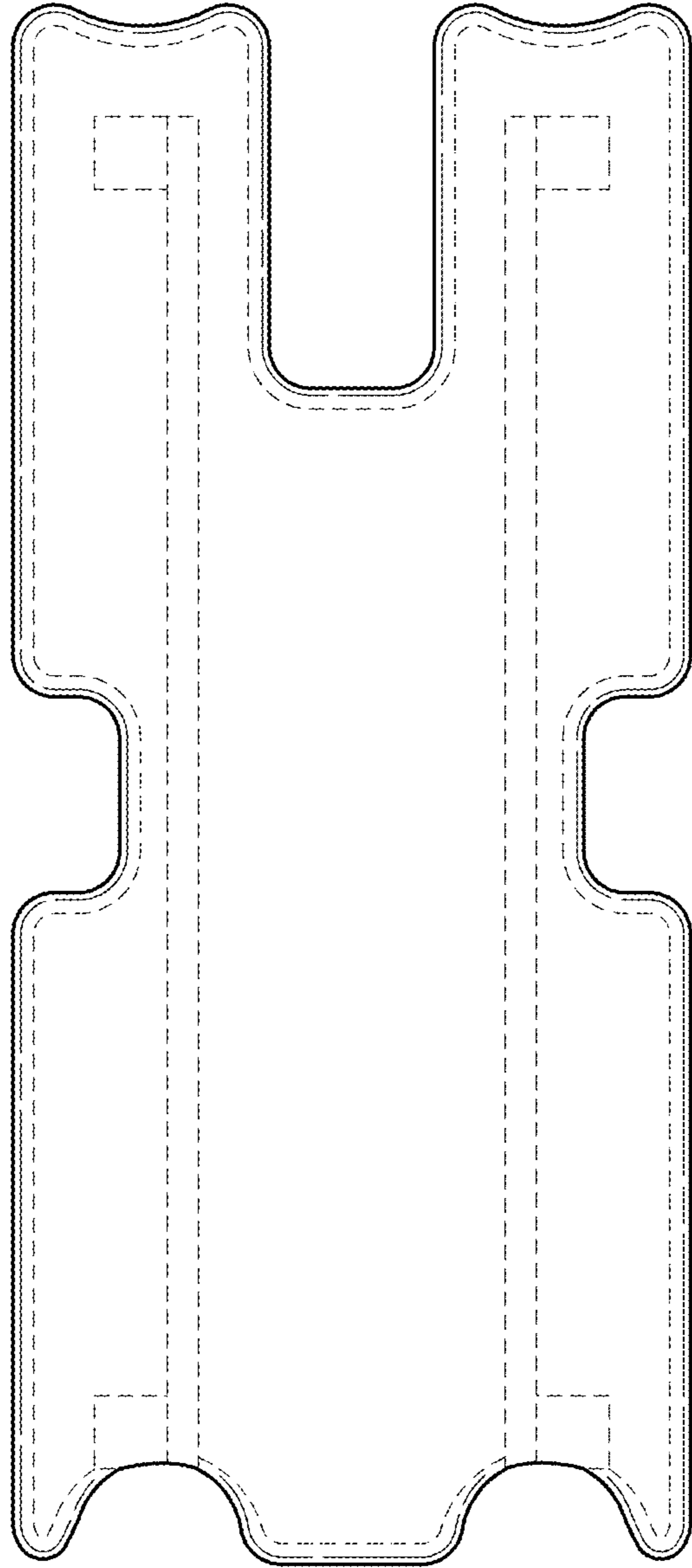


FIG. 8