



US00D955577S

(12) **United States Design Patent** (10) **Patent No.:** **US D955,577 S**
Sharifi-Mehr et al. (45) **Date of Patent:** **** Jun. 21, 2022**

(54) **SURGICAL BLADE**
(71) Applicant: **K2M, Inc.**, Leesburg, VA (US)
(72) Inventors: **Amir Ali Sharifi-Mehr**, Bloomingtondale, NJ (US); **Oliver Buchert**, Franklin Lakes, NJ (US); **Christopher P. Bell**, New York, NY (US)
(73) Assignee: **K2M, Inc.**, Leesburg, VA (US)
(**) Term: **15 Years**
(21) Appl. No.: **29/823,029**
(22) Filed: **Jan. 13, 2022**

Related U.S. Application Data

(62) Division of application No. 29/712,363, filed on Nov. 7, 2019, now Pat. No. Des. 941,470.
(51) **LOC (13) Cl.** **24-02**
(52) **U.S. Cl.**
USPC **D24/146**
(58) **Field of Classification Search**
USPC D24/146, 147, 133, 127, 171; D8/10, 16, D8/19, 20, 45, 90, 98, 99; D7/381, D7/383-385, 401.2, 642-645, 649-651; D19/108-110, 72
CPC . A61B 17/00; A61B 17/32; A61B 17/320016; A61B 17/320068; A61B 17/3209; A61B 17/32093; A61B 17/3211; A61B 2017/320074; A61B 2017/320077; A61B 2017/320082; A61B 2017/32096; A61B 2017/32113; A61B 2017/32116
See application file for complete search history.

6,270,501 B1 8/2001 Freiberg et al.
6,554,840 B2 4/2003 Matsutani et al.
7,846,093 B2 12/2010 Gorek et al.
8,010,180 B2 8/2011 Quaid et al.
9,002,426 B2 4/2015 Quaid et al.
9,119,655 B2 9/2015 Bowling et al.
9,566,122 B2 2/2017 Bowling et al.
10,028,788 B2 7/2018 Kang
10,070,928 B2 9/2018 Frank et al.
10,098,704 B2 10/2018 Bowling et al.
10,117,713 B2 11/2018 Moctezuma de la Barrera et al.
10,166,109 B2 1/2019 Ferko
10,357,257 B2 7/2019 Kostrzewski
10,765,438 B2 9/2020 Kostrzewski
10,945,742 B2 3/2021 Kostrzewski
D941,470 S * 1/2022 Sharifi-Mehr D24/146
2006/0058824 A1 3/2006 Kozlowski
2014/0180290 A1 6/2014 Otto et al.
2015/0119987 A1 4/2015 Davignon et al.
2017/0128136 A1 5/2017 Post
2018/0168750 A1 6/2018 Staunton et al.
2018/0325608 A1 11/2018 Kang et al.
2019/0038306 A1 2/2019 Lindner et al.
2019/0231447 A1 8/2019 Ebbitt et al.
2021/0137535 A1 5/2021 Sharifi-Mehr et al.
2021/0330502 A1* 10/2021 Tazawa A61F 9/0133

FOREIGN PATENT DOCUMENTS

DE 102016101915 A1 8/2017
EP 1738700 A1 1/2007

OTHER PUBLICATIONS

DeWit Perennial Planter. Amazon Oldest review date: Mar. 16, 2014. Date retrieved: Sep. 1, 2021. Retrieved from Internet: <https://www.amazon.com/Tierra-Garden-F20-Perennial-Planter/dp/B0001LEMA2> (Year: 2014).
Extended European Search Report including Written Opinion for EP20206298.0 dated Mar. 30, 2021; 10 pages.

* cited by examiner

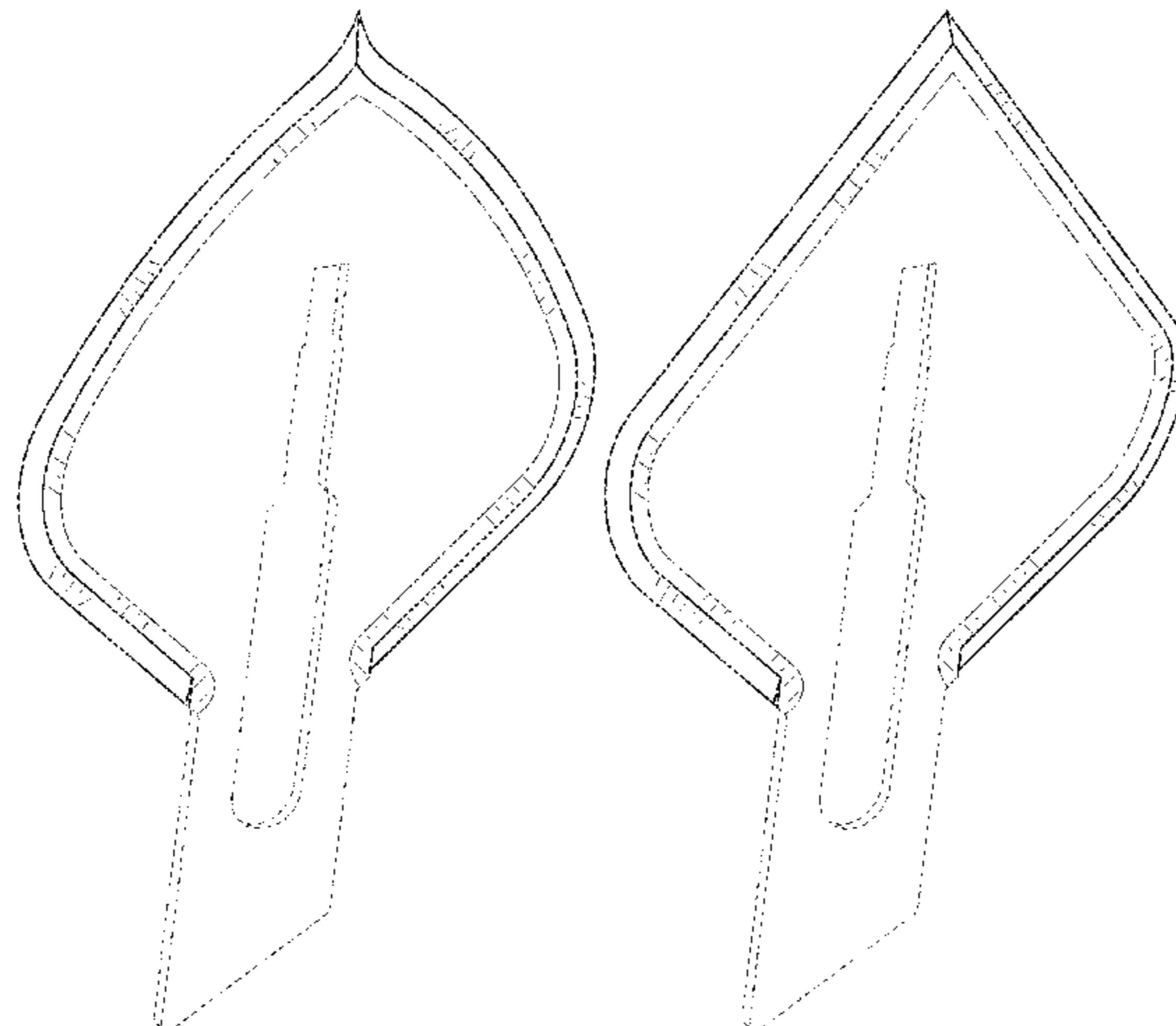
(56) **References Cited**
U.S. PATENT DOCUMENTS

D225,998 S 1/1973 Vannes Boone
D294,734 S 3/1988 Detsch
D294,861 S 3/1988 Detsch
D332,309 S 1/1993 Detsch
5,370,652 A 12/1994 Kellan
5,447,516 A 9/1995 Gardner
D405,178 S 2/1999 Dykes

Primary Examiner — Lilyana Bekic
Assistant Examiner — Lee D. Starr
(74) *Attorney, Agent, or Firm* — Lerner, David, Littenberg, Krumholz & Mentlik, LLP

(57) **CLAIM**

The ornamental design for a surgical blade, as shown and described.



DESCRIPTION

FIG. 1 is a front perspective view of a surgical blade according to a first embodiment of our design;

FIG. 2 is a front view thereof, with a rear view being a mirror image of FIG. 2;

FIG. 3 is a left side view thereof;

FIG. 4 is a right side view thereof;

FIG. 5 is a top view thereof;

FIG. 6 is a bottom view thereof;

FIG. 7 is a front perspective view of a surgical blade according to a second embodiment of our design;

FIG. 8 is a front view thereof, with a rear view being a mirror image of FIG. 8;

FIG. 9 is a left side view thereof;

FIG. 10 is a right side view thereof;

FIG. 11 is a top view thereof;

FIG. 12 is a bottom view thereof;

FIG. 13 is a front perspective view of a surgical blade according to a third embodiment of our design;

FIG. 14 is a front view thereof, with a rear view being a mirror image of FIG. 14;

FIG. 15 is a left side view thereof;

FIG. 16 is a right side view thereof;

FIG. 17 is a top view thereof;

FIG. 18 is a bottom view thereof;

FIG. 19 is a front perspective view of a surgical blade according to a fourth embodiment of our design;

FIG. 20 is a front view thereof, with a rear view being a mirror image of FIG. 20;

FIG. 21 is a left side view thereof;

FIG. 22 is a right side view thereof;

FIG. 23 is a top view thereof; and,

FIG. 24 is a bottom view thereof.

The broken lines in the drawings depict portions of the surgical blade and form no part of the claimed design.

The dash-dot lines adjacent shaded areas represent bounds of the claimed design and form no part thereof.

1 Claim, 12 Drawing Sheets

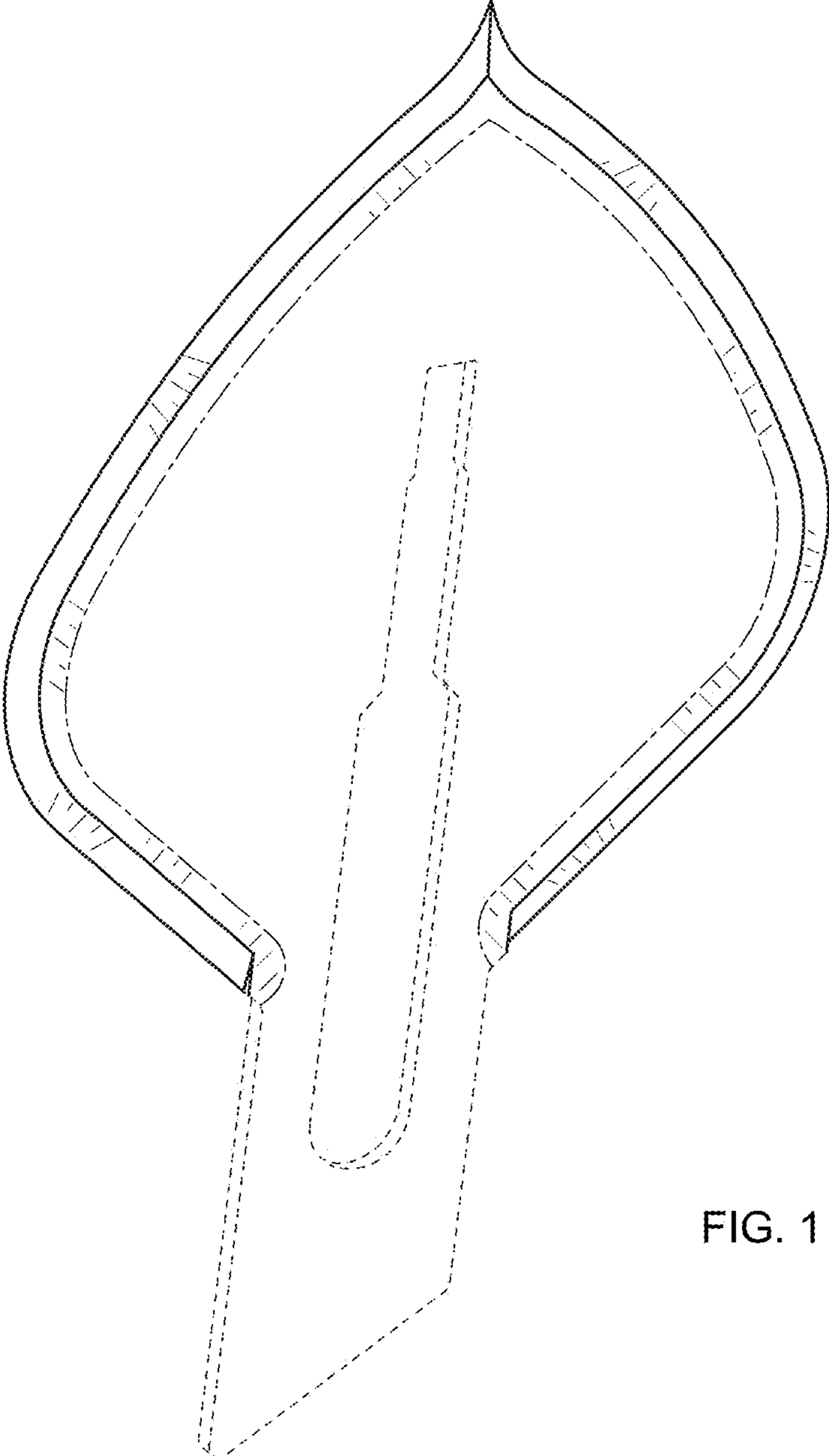


FIG. 1

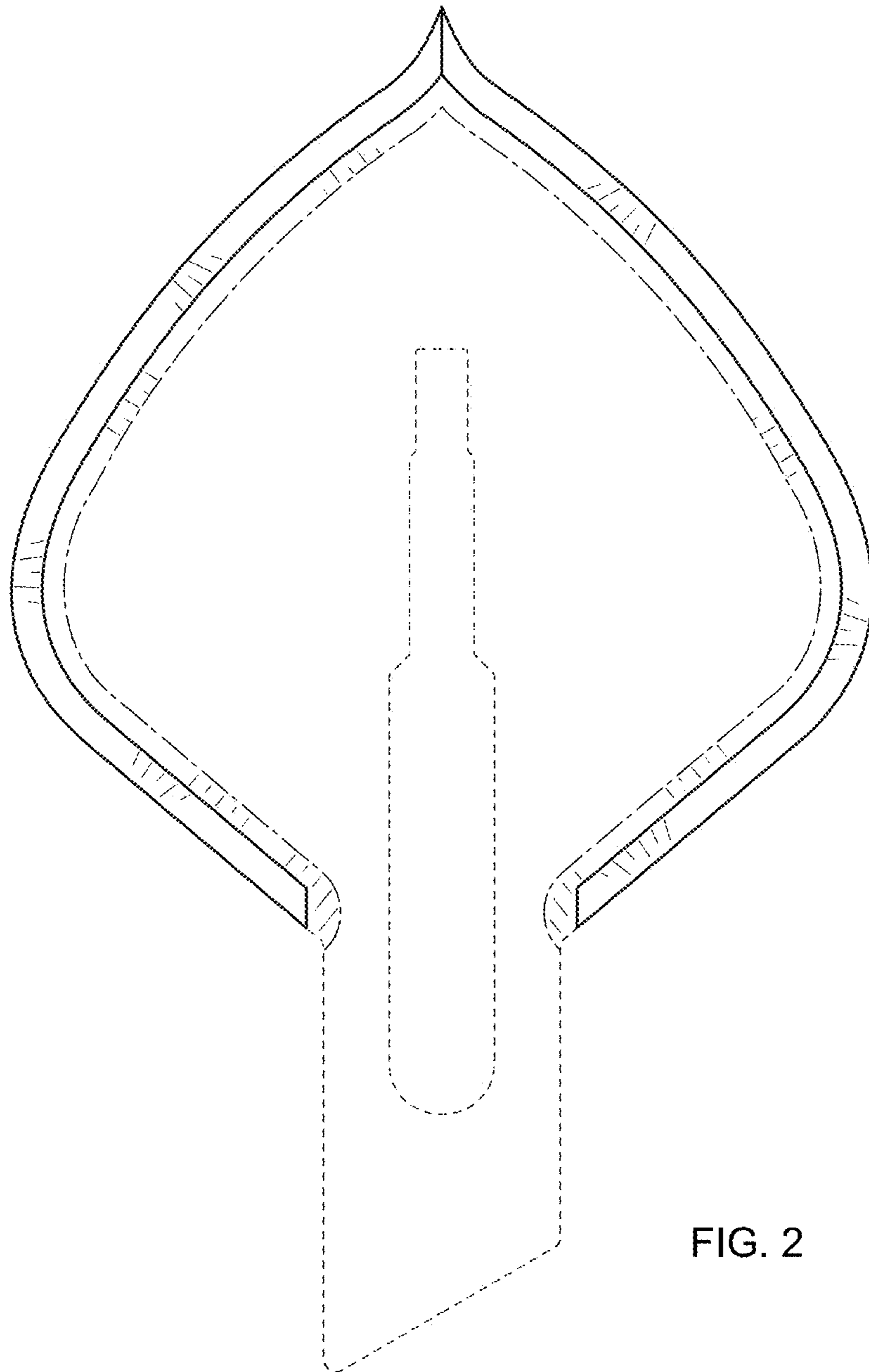


FIG. 2

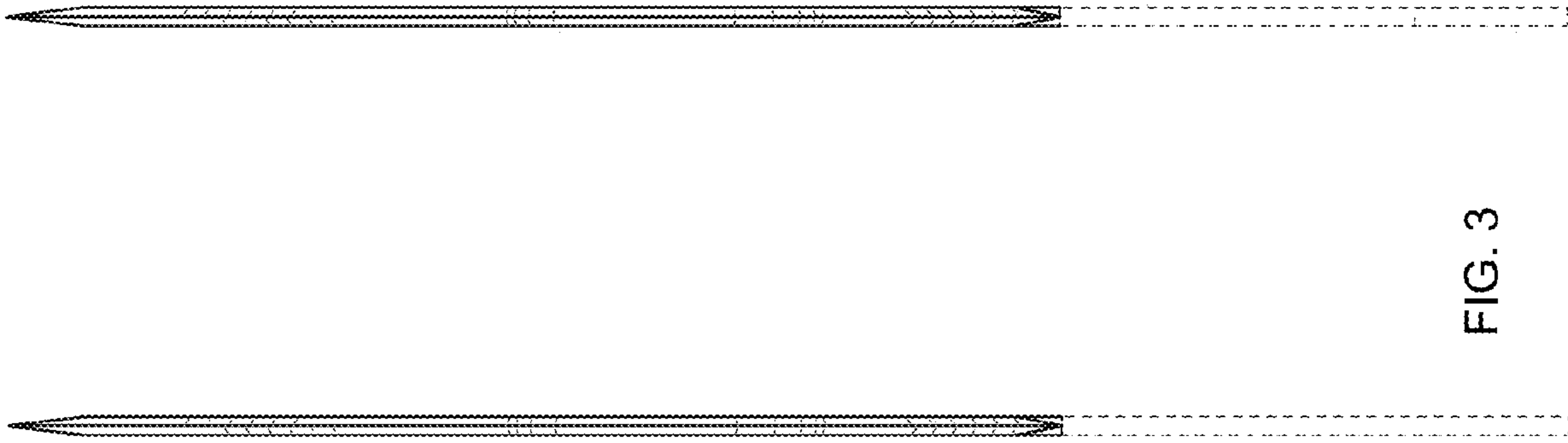


FIG. 3

FIG. 4



FIG. 5

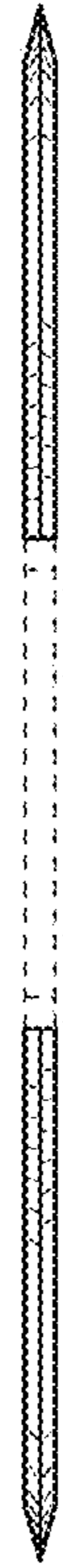


FIG. 6

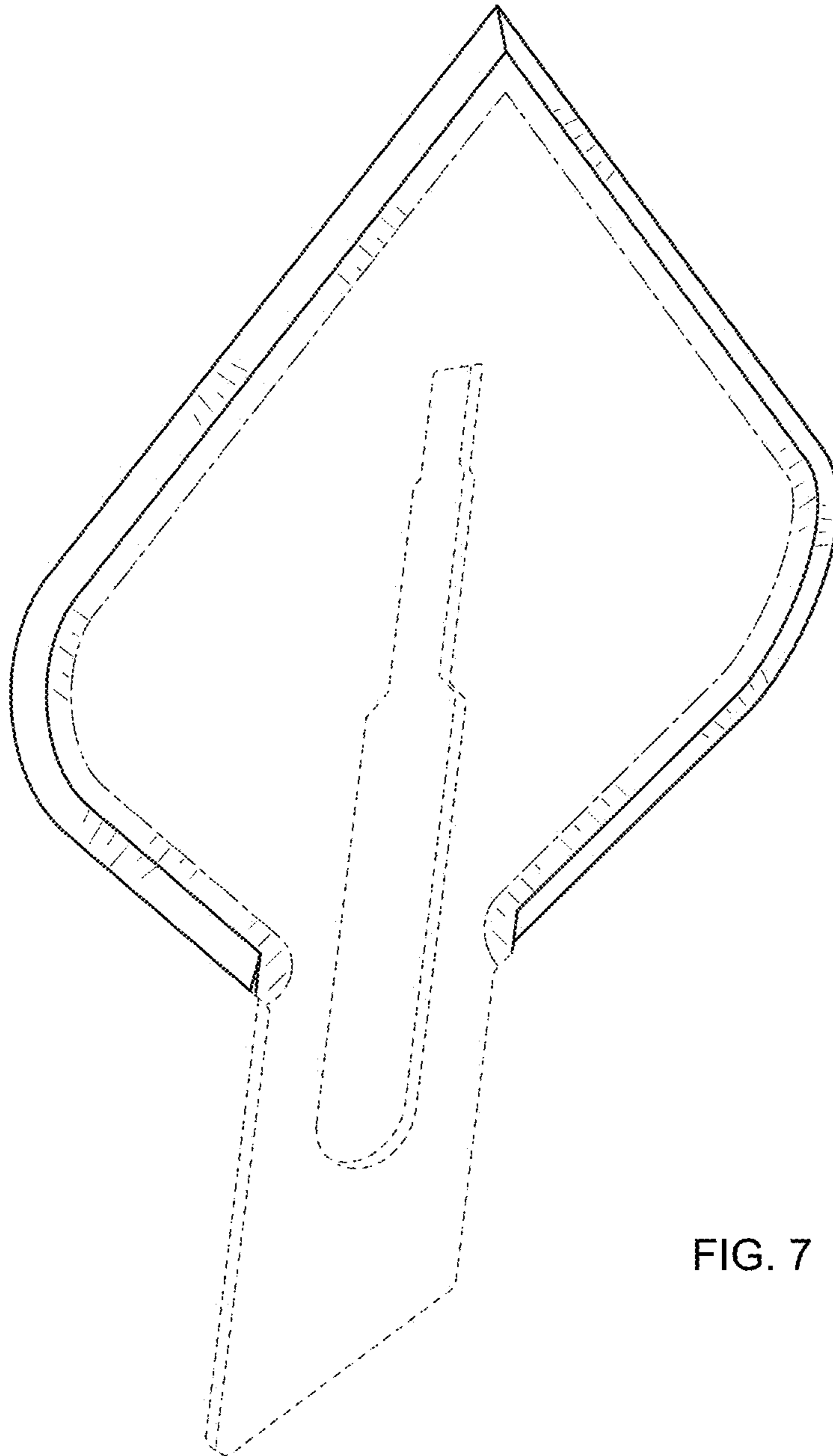


FIG. 7

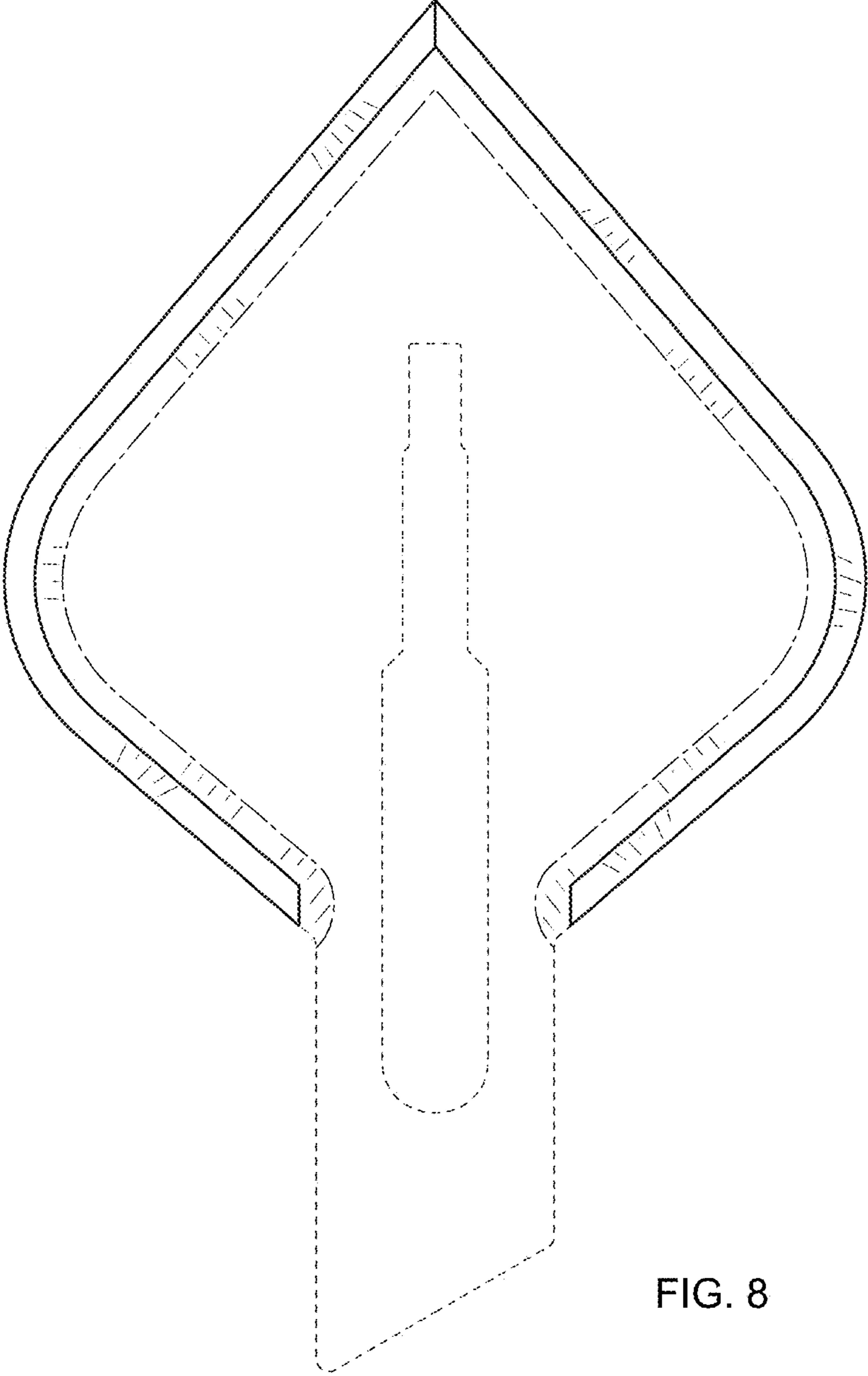


FIG. 8

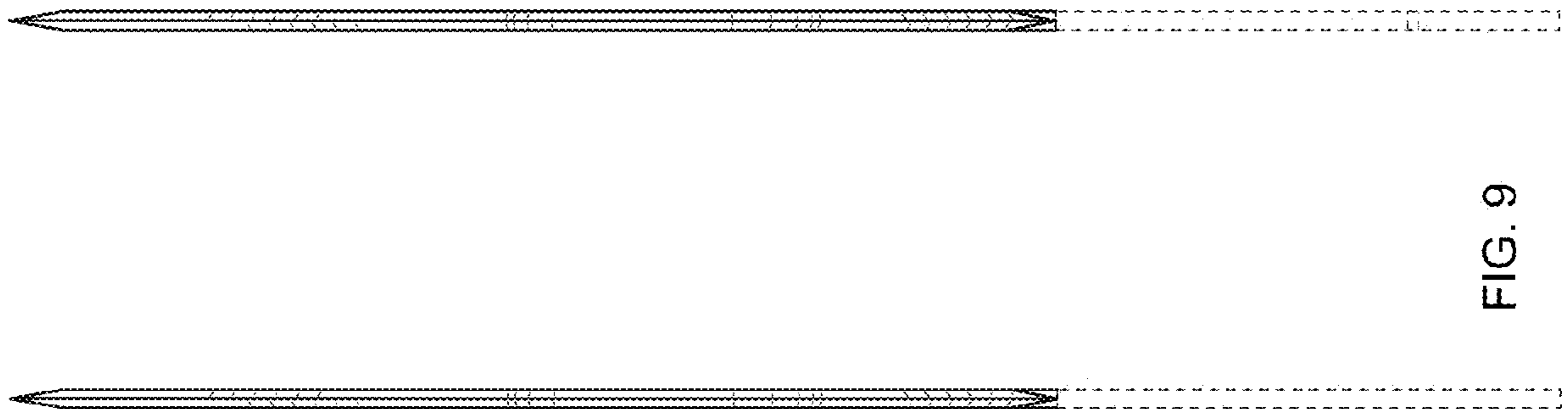


FIG. 9

FIG. 10

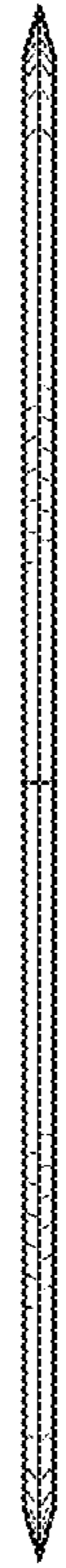


FIG. 11

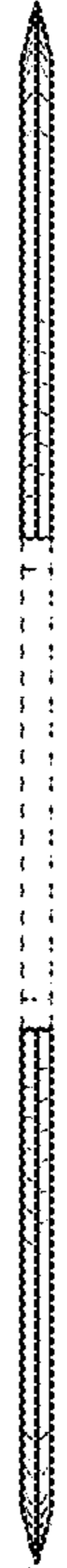


FIG. 12

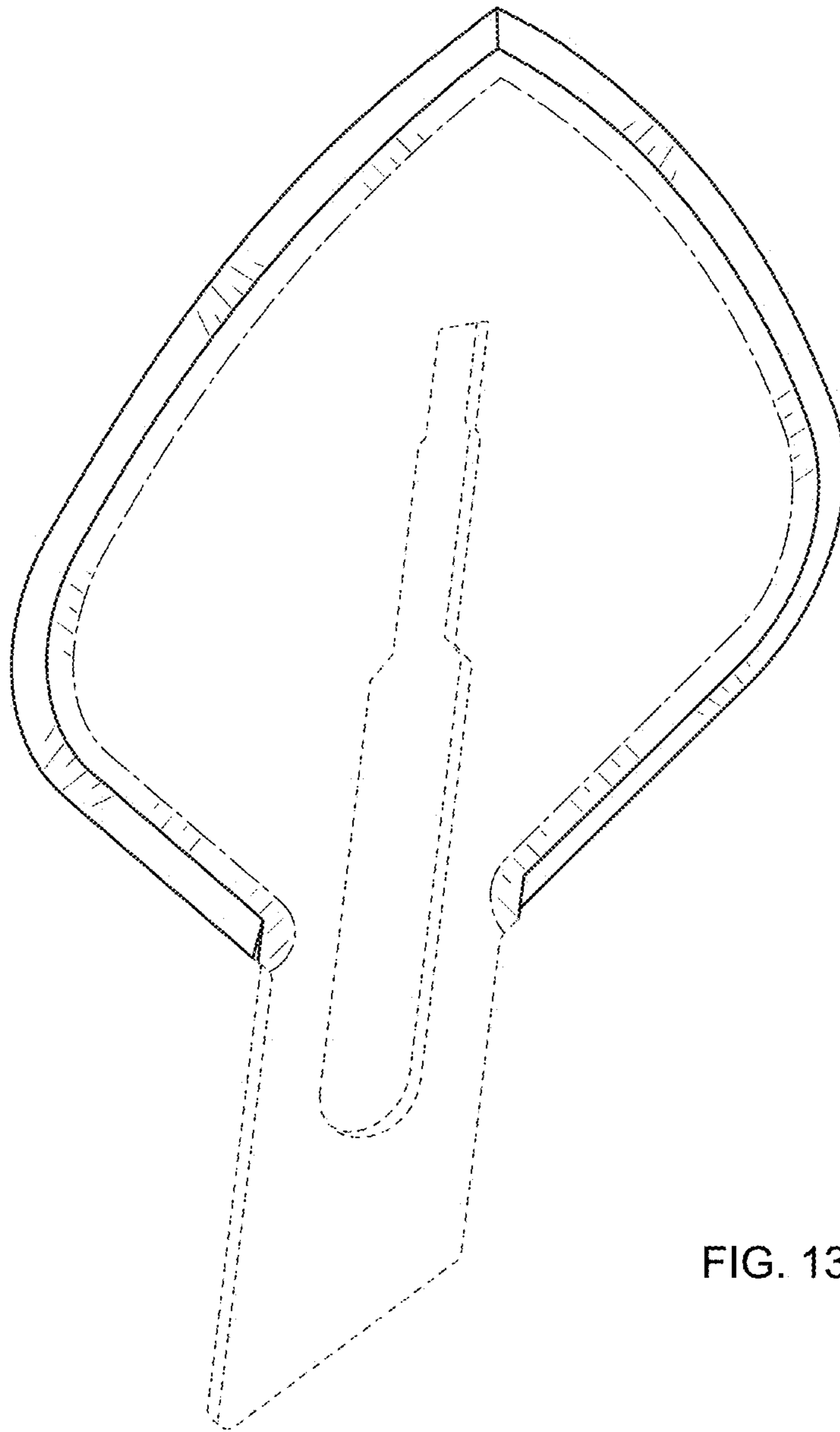


FIG. 13

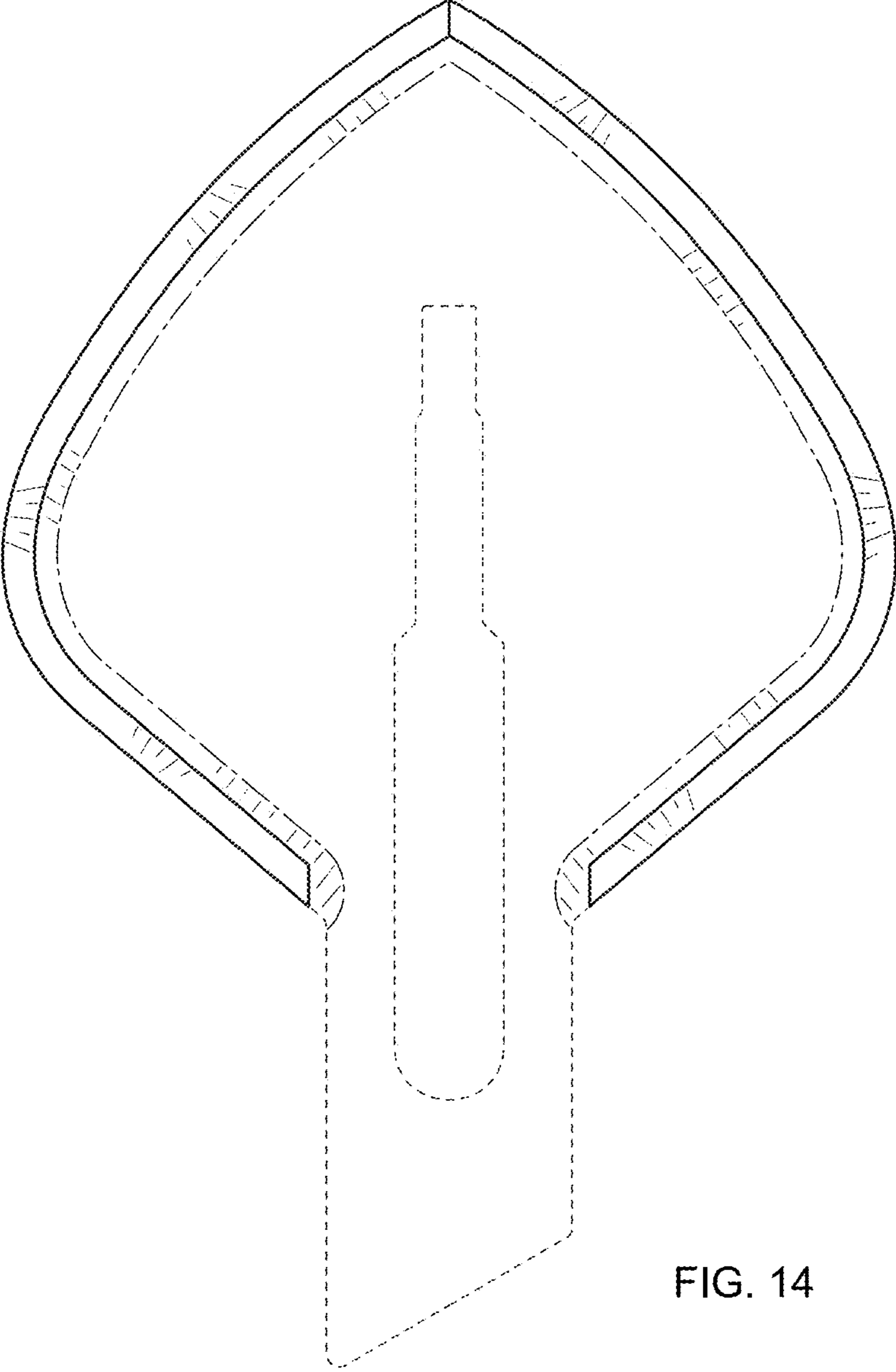


FIG. 14

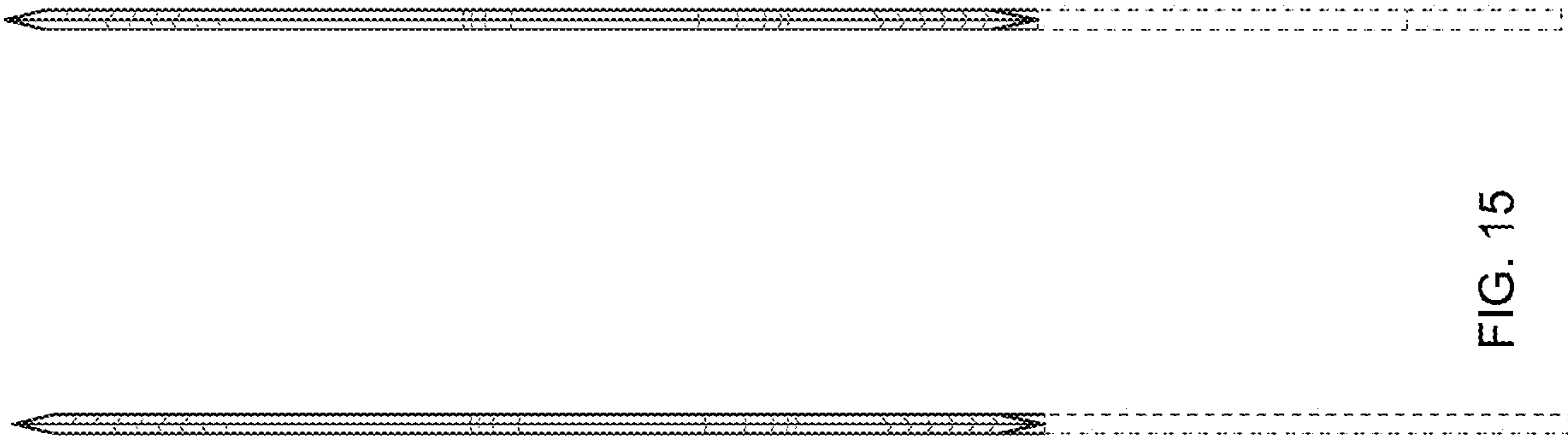


FIG. 15

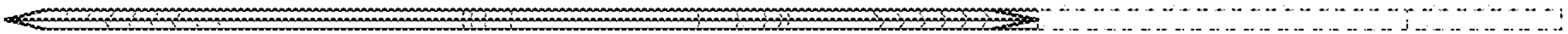


FIG. 16



FIG. 17

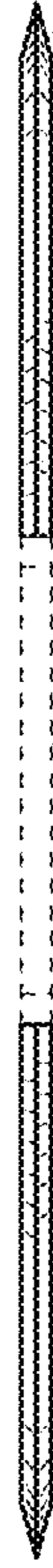


FIG. 18

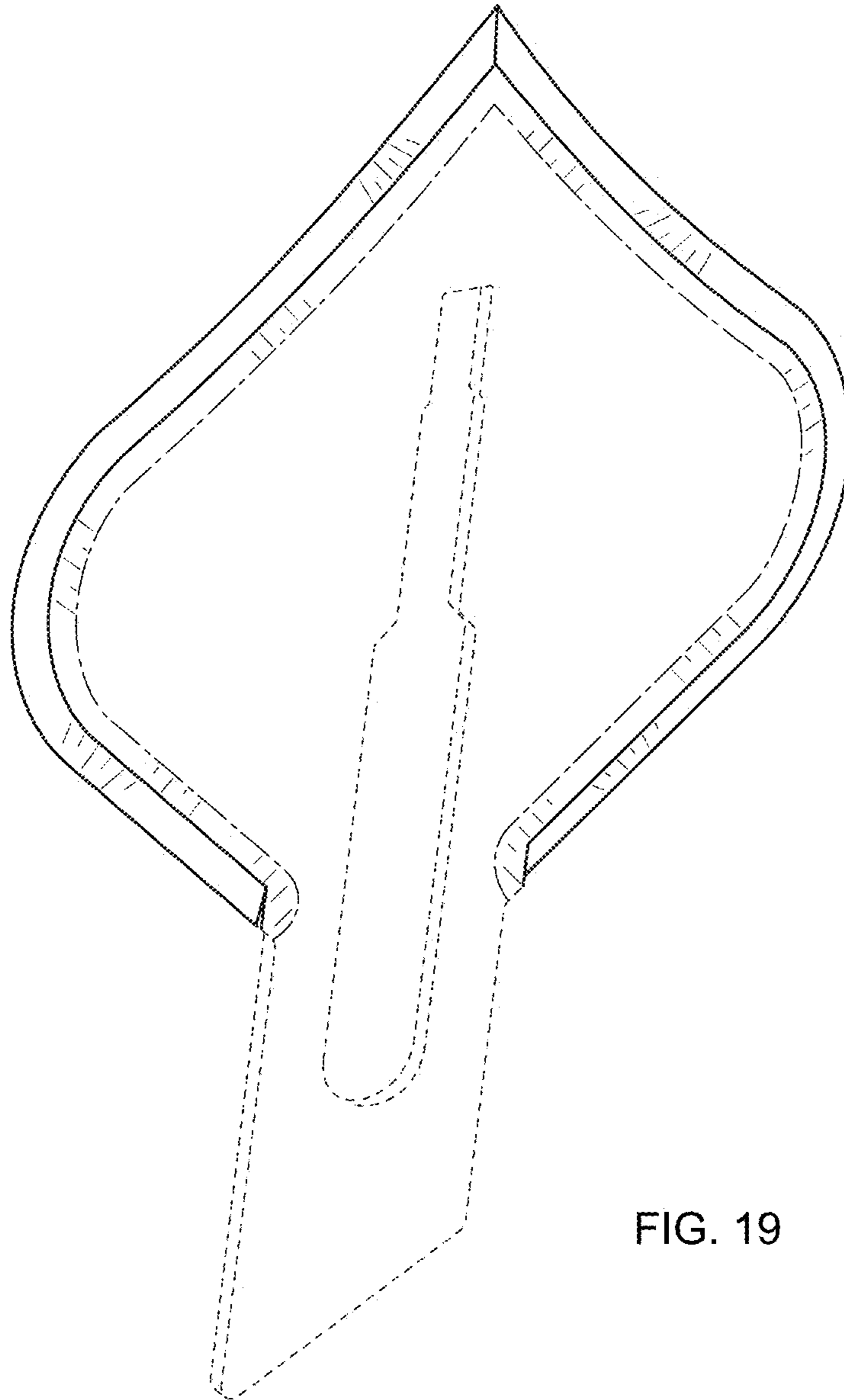


FIG. 19

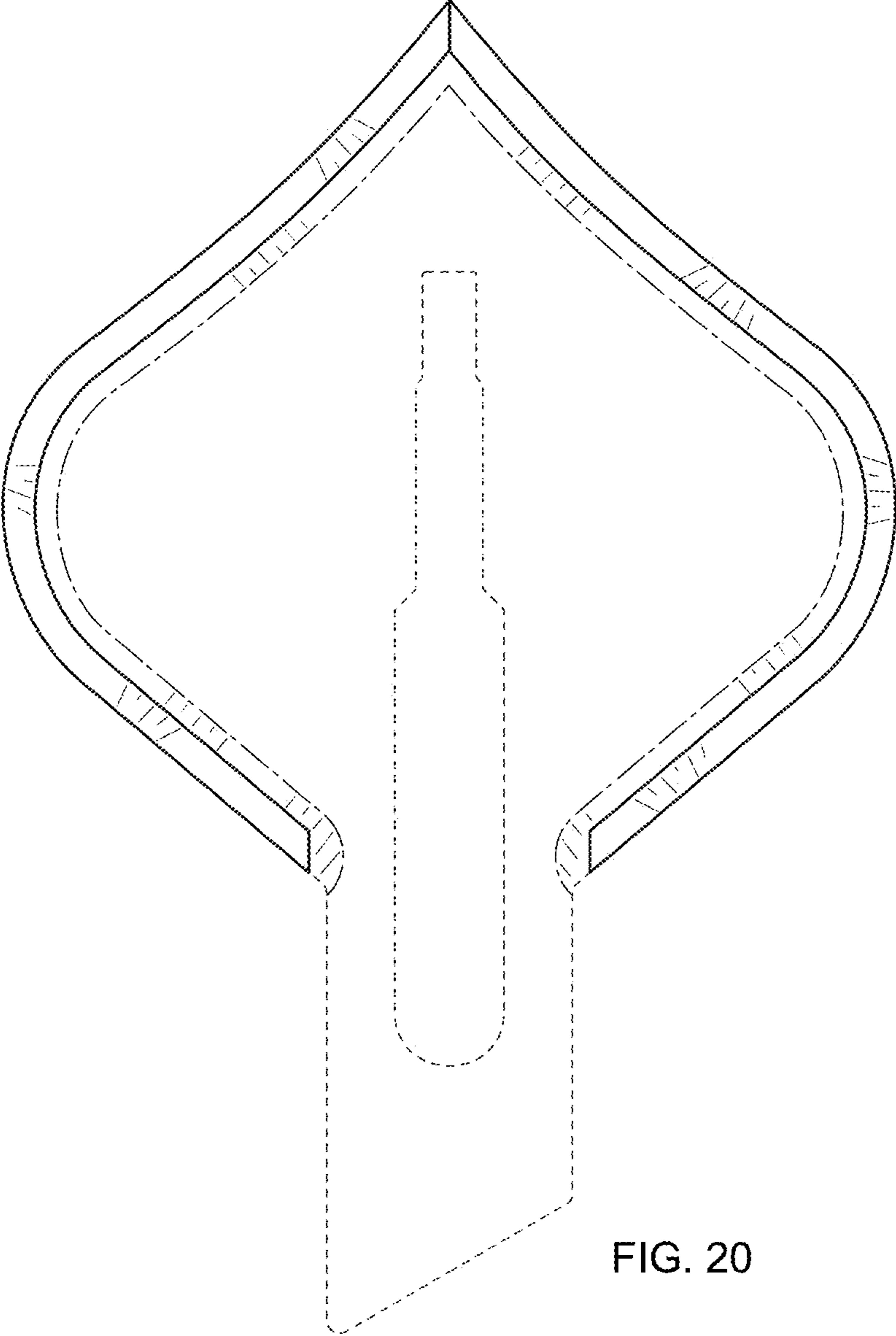


FIG. 20



FIG. 23

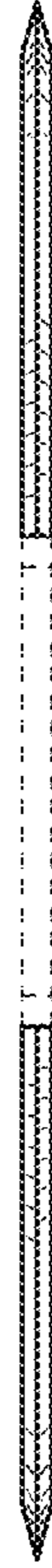


FIG. 24

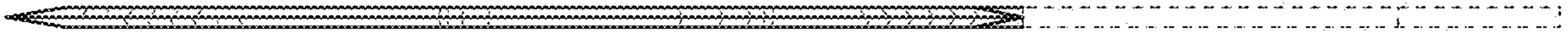


FIG. 22

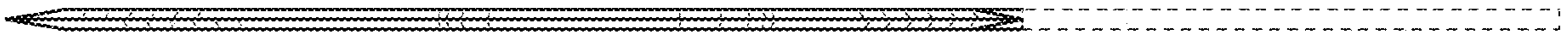


FIG. 21