



US00D955576S

(12) **United States Design Patent** (10) **Patent No.:** **US D955,576 S**
Barton et al. (45) **Date of Patent:** **** *Jun. 21, 2022**

(54) **APPLICATOR FOR A SURGICAL STAPLER BUTTRESS**
(71) Applicant: **Cilag GmbH International**, Zug (CH)
(72) Inventors: **Trevor J. Barton**, Cincinnati, OH (US); **Christopher J. Hess**, Blue Ash, OH (US); **John V. Hunt**, Cincinnati, OH (US); **Emily A. Schellin**, Cincinnati, OH (US); **Michael J. Vendely**, Lebanon, OH (US); **Mark S. Zeiner**, Mason, OH (US)

5,597,107 A 1/1997 Knodel et al.
5,632,432 A 5/1997 Schulze et al.
5,673,840 A 10/1997 Schulze et al.
5,704,534 A 1/1998 Huitema et al.
5,792,135 A 8/1998 Madhani et al.
5,814,055 A 9/1998 Knodel et al.
5,817,084 A 10/1998 Jensen
5,878,193 A 3/1999 Wang et al.
6,231,565 B1 5/2001 Tovey et al.

(Continued)

FOREIGN PATENT DOCUMENTS

JP 1566434 S 1/2017

OTHER PUBLICATIONS

Japanese Notification of Reasons for Refusal dated Jun. 23, 2020, for Application No. 2019-014271, 1 page.

(Continued)

Primary Examiner — Wan Laymon

(74) *Attorney, Agent, or Firm* — Frost Brown Todd LLC

(73) Assignee: **Cilag GmbH International**, Zug (CH)
(*) Notice: This patent is subject to a terminal disclaimer.
(**) Term: **15 Years**
(21) Appl. No.: **29/757,241**
(22) Filed: **Nov. 4, 2020**

Related U.S. Application Data

(62) Division of application No. 29/675,168, filed on Dec. 28, 2018, now Pat. No. Des. 901,686.
(51) **LOC (13) Cl.** **24-02**
(52) **U.S. Cl.**
USPC **D24/145**
(58) **Field of Classification Search**
USPC D24/145
CPC . A61B 17/0682; A61B 17/068; A61B 17/072;
A61B 17/07292; A61B 17/07207
See application file for complete search history.

(57) **CLAIM**

The ornamental design for an applicator for a surgical stapler buttress, as shown and described.

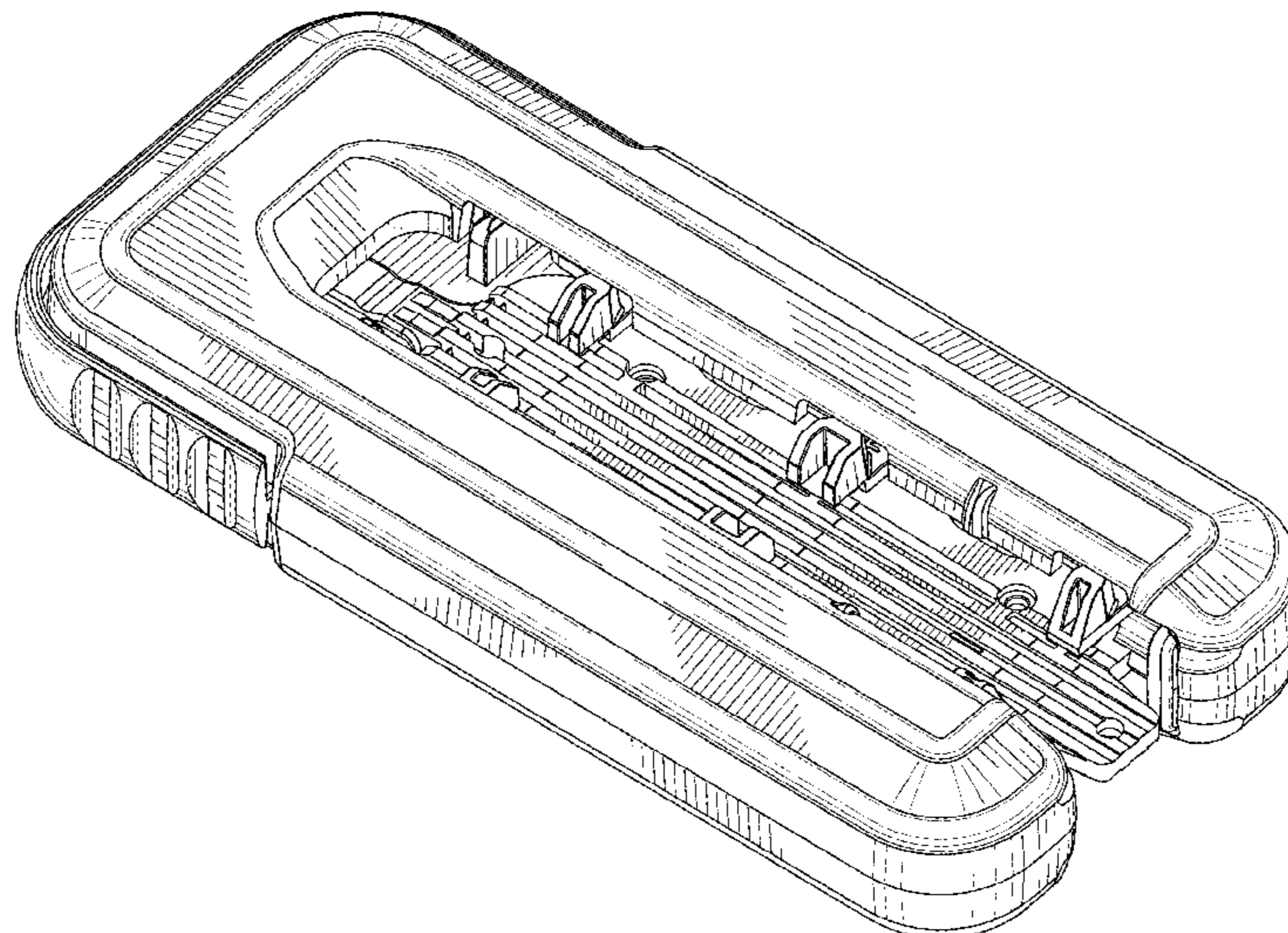
DESCRIPTION

FIG. 1 is a perspective view of an applicator for a surgical stapler buttress, showing our new design; FIG. 2 is a front elevational view of the applicator for a surgical stapler buttress of FIG. 1, the opposite rear elevational view being a mirror image thereof; FIG. 3 is a right side elevational view of the applicator for a surgical stapler buttress of FIG. 1; FIG. 4 is a left side elevational view of the applicator for a surgical stapler buttress of FIG. 1; and, FIG. 5 is a top plan view of the applicator for a surgical stapler buttress of FIG. 1, the opposite bottom plan view being a mirror image thereof.

(56) **References Cited**
U.S. PATENT DOCUMENTS

4,805,823 A 2/1989 Rothfuss
D320,272 S 9/1991 Green
5,415,334 A 5/1995 Williamson, IV et al.
5,465,895 A 11/1995 Knodel et al.

1 Claim, 4 Drawing Sheets



(56)

References Cited

U.S. PATENT DOCUMENTS

6,364,888	B1	4/2002	Niemeyer et al.	10,349,939	B2	7/2019	Shelton, IV et al.
6,783,524	B2	8/2004	Anderson et al.	10,349,940	B2 *	7/2019	Zeiner A61B 17/07292
6,939,358	B2	9/2005	Palacios et al.	10,433,839	B2 *	10/2019	Scheib A61B 17/07292
6,978,921	B2	12/2005	Shelton, IV et al.	10,639,039	B2	5/2020	Vendely et al.
6,988,650	B2	1/2006	Schwemberger et al.	D901,686	S	11/2020	Barton et al.
7,000,818	B2	2/2006	Shelton, IV et al.	D903,115	S	11/2020	Zeiner et al.
7,134,587	B2	11/2006	Schwemberger et al.	10,905,424	B2 *	2/2021	Bakos A61B 17/07292
7,143,923	B2	12/2006	Shelton, IV et al.	D922,576	S	6/2021	Schellin et al.
7,147,139	B2	12/2006	Schwemberger et al.	11,033,269	B2 *	6/2021	Vendely A61B 17/07292
7,147,140	B2	12/2006	Wukusick et al.	11,039,832	B2 *	6/2021	Vendely A61B 17/07292
7,204,404	B2	4/2007	Nguyen et al.	11,045,188	B2 *	6/2021	Vendely A61B 17/07292
7,207,472	B2	4/2007	Wukusick et al.	D926,317	S	7/2021	Posey et al.
7,303,108	B2	12/2007	Shelton, IV	D926,318	S	7/2021	Posey et al.
7,367,485	B2	5/2008	Shelton, IV et al.	11,051,806	B2 *	7/2021	Vendely A61B 17/07292
7,380,695	B2	6/2008	Doll et al.	11,058,419	B2 *	7/2021	Vendely A61B 17/07292
7,380,696	B2	6/2008	Shelton, IV et al.	11,103,243	B2	8/2021	Bakos et al.
7,404,508	B2	7/2008	Smith et al.	11,116,505	B2 *	9/2021	Vendely A61B 17/07207
7,434,715	B2	10/2008	Shelton, IV et al.	D932,621	S	10/2021	Ridgley et al.
7,524,320	B2	4/2009	Tierney et al.	D933,220	S	10/2021	Tate et al.
7,644,848	B2	1/2010	Swayze et al.	11,166,724	B2	11/2021	McGiveron et al.
7,691,098	B2	4/2010	Wallace et al.	11,166,725	B2	11/2021	Vendely et al.
7,721,930	B2	5/2010	McKenna et al.	D938,030	S *	12/2021	Zeiner D24/145
7,806,891	B2	10/2010	Nowlin et al.	2003/0120284	A1	6/2003	Palacios et al.
8,141,762	B2	3/2012	Bedi et al.	2005/0070929	A1	3/2005	Dalessandro et al.
8,210,411	B2	7/2012	Yates et al.	2005/0139636	A1	6/2005	Schwemberger et al.
8,371,491	B2	2/2013	Huitema et al.	2005/0143759	A1	6/2005	Kelly
8,408,439	B2	4/2013	Huang et al.	2005/0145672	A1	7/2005	Schwemberger et al.
8,453,914	B2	6/2013	Laurent et al.	2008/0169328	A1	7/2008	Shelton, IV
8,479,969	B2	7/2013	Shelton, IV	2009/0095791	A1	4/2009	Eskaros et al.
8,573,461	B2	11/2013	Shelton, IV et al.	2012/0241493	A1	9/2012	Baxter, III et al.
8,573,465	B2	11/2013	Shelton, IV	2013/0068816	A1	3/2013	Vasudevan et al.
8,579,990	B2	11/2013	Priewe	2013/0075447	A1	3/2013	Weisenburgh, II et al.
8,602,288	B2	12/2013	Shelton, IV et al.	2013/0206813	A1	8/2013	Nalagatla
8,616,431	B2	12/2013	Timm et al.	2014/0239037	A1	8/2014	Boudreaux et al.
8,783,541	B2	7/2014	Shelton, IV et al.	2015/0351758	A1	12/2015	Shelton, IV et al.
8,800,838	B2	8/2014	Shelton, IV	2016/0089146	A1	3/2016	Harris et al.
8,801,735	B2	8/2014	Shelton, IV et al.	2016/0278774	A1	9/2016	Shelton, IV et al.
8,814,025	B2	8/2014	Miller et al.	2017/0027571	A1	2/2017	Nalagatla et al.
8,820,605	B2	9/2014	Shelton, IV	2017/0049444	A1	2/2017	Schellin et al.
8,844,789	B2	9/2014	Shelton, IV et al.	2017/0055980	A1 *	3/2017	Vendely A61B 17/07292
8,899,464	B2	12/2014	Hueil et al.	2017/0055981	A1 *	3/2017	Vendely A61B 17/07292
8,992,060	B2	4/2015	Dassanayake et al.	2017/0055982	A1 *	3/2017	Zeiner A61B 17/07292
8,998,060	B2	4/2015	Bruewer et al.	2017/0055986	A1	3/2017	Harris et al.
9,101,359	B2	8/2015	Smith et al.	2017/0056016	A1 *	3/2017	Barton A61B 17/07292
9,186,142	B2	11/2015	Fanelli et al.	2017/0056017	A1 *	3/2017	Vendely A61B 17/07292
9,198,644	B2	12/2015	Balek et al.	2017/0056018	A1 *	3/2017	Zeiner A61B 17/07292
9,211,120	B2	12/2015	Scheib et al.	2017/0086823	A1	3/2017	Leimbach et al.
9,301,759	B2	4/2016	Spivey et al.	2017/0086837	A1	3/2017	Vendely et al.
9,393,018	B2	7/2016	Wang et al.	2017/0086842	A1	3/2017	Shelton, IV et al.
9,398,911	B2	7/2016	Auld et al.	2017/0119386	A1 *	5/2017	Scheib A61B 17/07292
9,492,170	B2	11/2016	Bear et al.	2017/0119391	A1	5/2017	Schellin et al.
9,517,065	B2	12/2016	Simms et al.	2018/0235610	A1	8/2018	Harris et al.
9,597,082	B2	3/2017	Stokes et al.	2018/0235611	A1	8/2018	Harris et al.
9,622,746	B2	4/2017	Simms et al.	2018/0235616	A1	8/2018	Shelton, IV et al.
9,717,497	B2	8/2017	Zerkle et al.	2018/0235617	A1	8/2018	Shelton, IV et al.
9,795,379	B2	10/2017	Leimbach et al.	2018/0235619	A1	8/2018	Harris et al.
9,808,248	B2	11/2017	Hoffman	2018/0235622	A1	8/2018	Shelton, IV et al.
9,839,421	B2	12/2017	Zerkle et al.	2019/0000481	A1	1/2019	Harris et al.
9,848,871	B2	12/2017	Harris et al.	2019/0150918	A1 *	5/2019	Vendely A61B 17/07292
9,867,615	B2	1/2018	Fanelli et al.	2019/0167262	A1 *	6/2019	Vendely A61B 17/07292
9,913,642	B2	3/2018	Leimbach et al.	2019/0167263	A1 *	6/2019	Vendely A61B 17/07292
9,936,954	B2	4/2018	Shelton, IV et al.	2019/0175173	A1	6/2019	Harris et al.
9,999,408	B2	6/2018	Boudreaux et al.	2019/0298338	A1 *	10/2019	Vendely A61B 17/07292
10,045,780	B2	8/2018	Adams et al.	2020/0015817	A1	1/2020	Harris et al.
10,092,292	B2	10/2018	Boudreaux et al.	2020/0205807	A1 *	7/2020	Bakos A61B 17/07292
D833,010	S	11/2018	Harris et al.	2020/0205810	A1	7/2020	Posey et al.
10,123,798	B2	11/2018	Baxter, III et al.	2020/0205811	A1	7/2020	Posey et al.
D836,198	S	12/2018	Harris et al.	2020/0205821	A1 *	7/2020	Vendely A61B 17/07292
D836,199	S	12/2018	Schowalter et al.	2020/0205822	A1	7/2020	Heupel et al.
10,166,023	B2 *	1/2019	Vendely A61B 17/07292	2020/0205823	A1 *	7/2020	Vendely A61B 17/07292
10,251,649	B2	4/2019	Schellin et al.	2020/0205824	A1 *	7/2020	Barton A61B 17/07292
10,342,532	B2 *	7/2019	Zeiner A61B 17/07292	2020/0205825	A1 *	7/2020	Vendely A61B 17/07207

(56)

References Cited

U.S. PATENT DOCUMENTS

2020/0205826 A1 7/2020 Bakos et al.
2020/0205827 A1* 7/2020 Bakos A61B 17/07292

OTHER PUBLICATIONS

U.S. Appl. No. 62/209,041, entitled "Method and Apparatus for Applying a Buttress to End Effector of a Surgical Stapler," filed Aug. 24, 2015.

* cited by examiner



Fig. 1

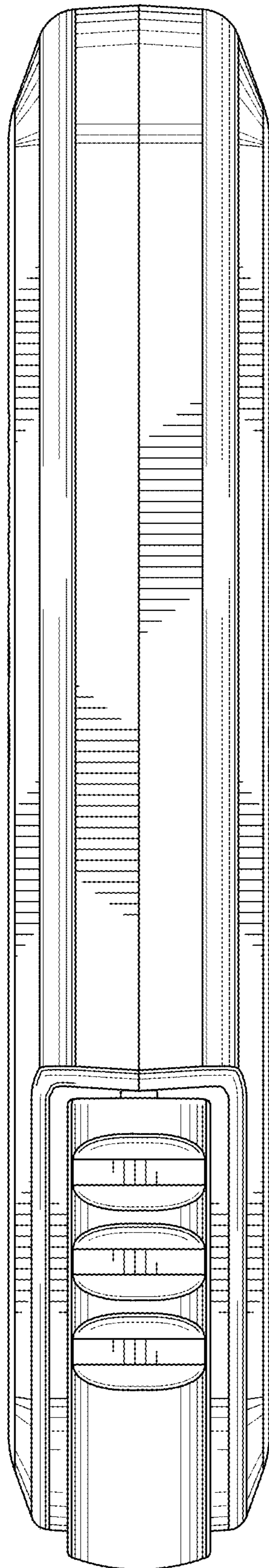


Fig. 2

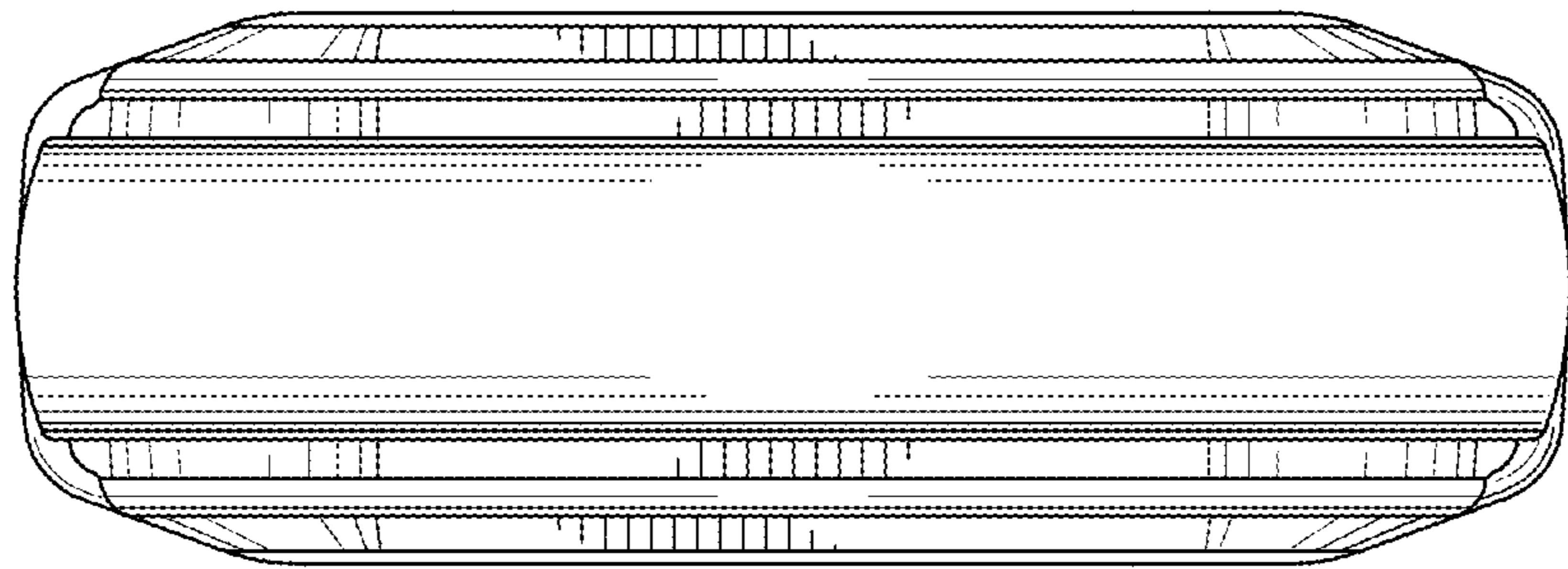


Fig.3

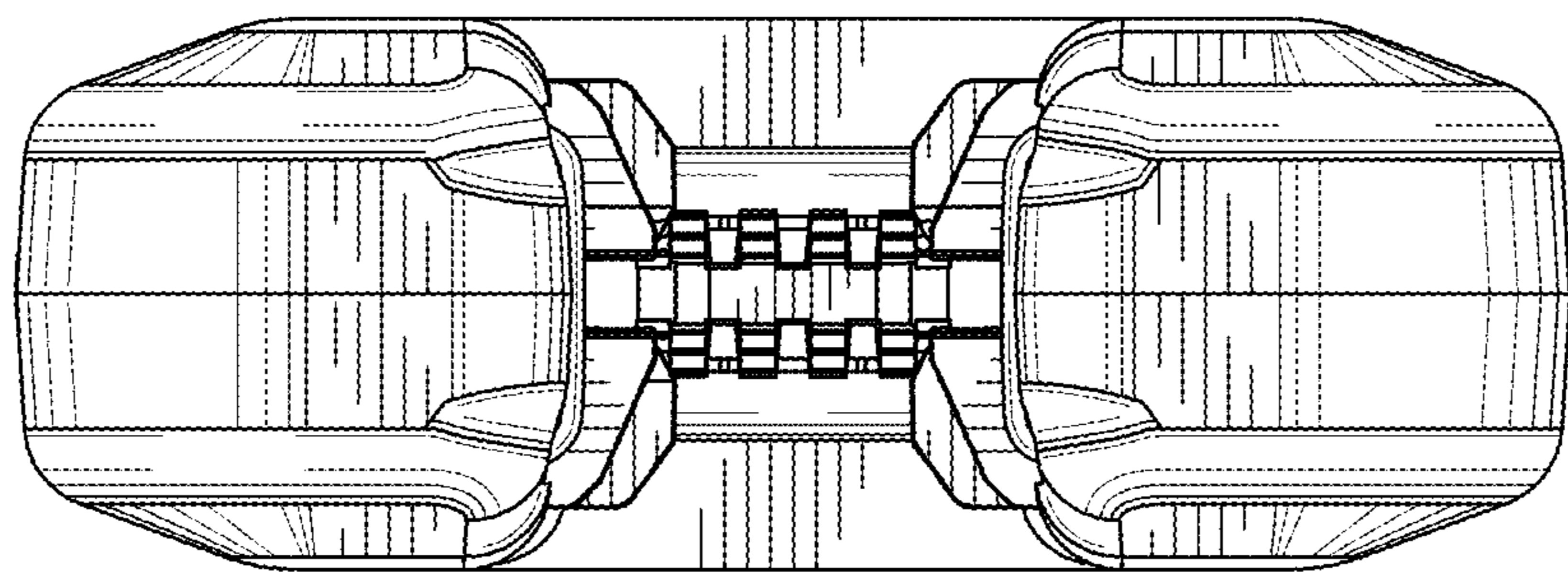


Fig.4

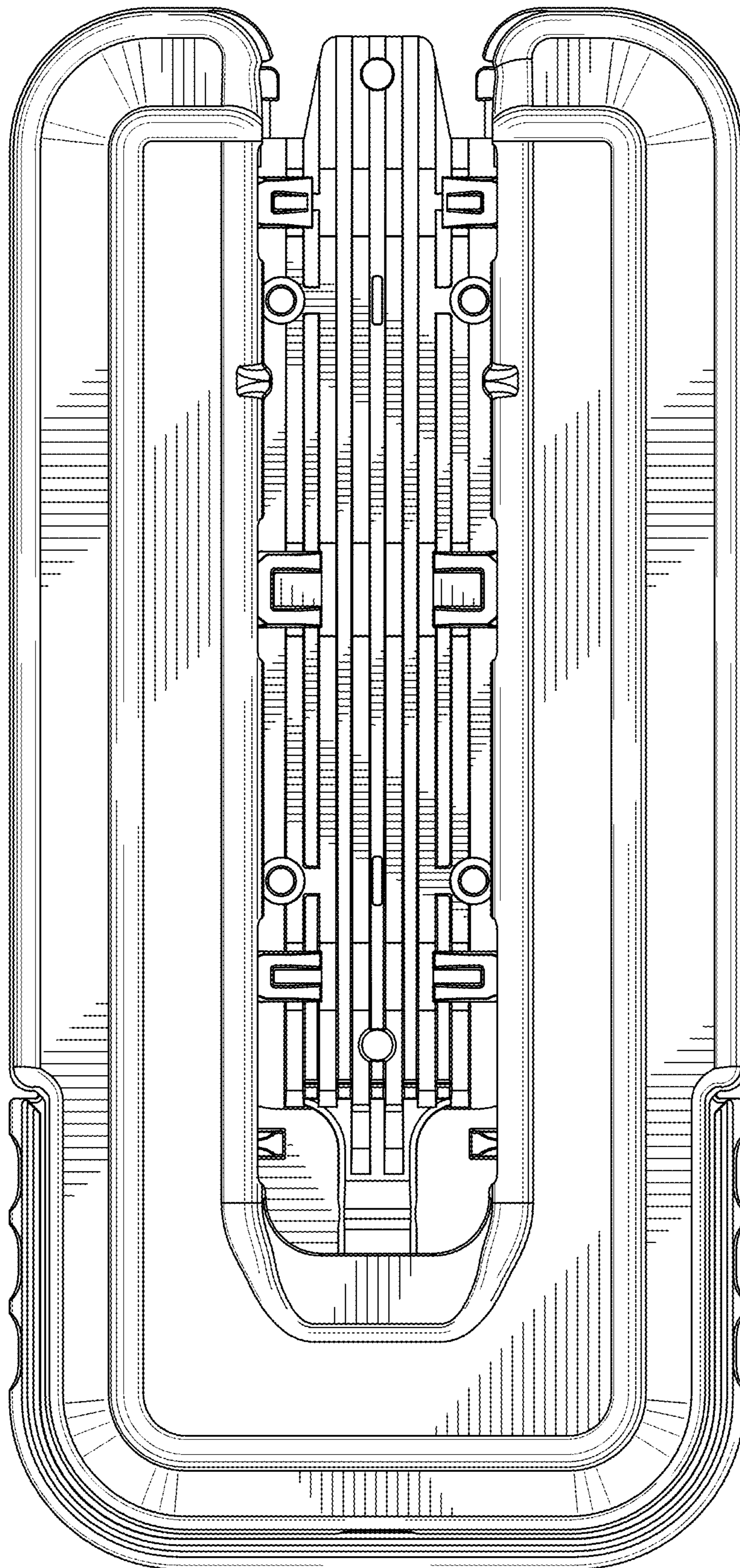


Fig. 5