



US00D955575S

(12) **United States Design Patent**  
**White et al.**

(10) **Patent No.:** **US D955,575 S**  
(45) **Date of Patent:** **\*\* \*Jun. 21, 2022**

(54) **STAPLE CARTRIDGE ASSEMBLY FOR  
LINEAR SURGICAL STAPLER**

(71) Applicant: **Cilag GmbH International**, Zug (CH)

(72) Inventors: **William J. White**, West Chester, OH (US); **Caleb P. McGowen**, Hamilton, OH (US); **Carol J. Wynn**, Kings Mills, OH (US); **Jason D. Jones**, Cincinnati, OH (US); **Brian D. Schings**, Cincinnati, OH (US)

(73) Assignee: **Cilag GmbH International**, Zug (CH)

(\*) Notice: This patent is subject to a terminal disclaimer.

(\*\*) Term: **15 Years**

(21) Appl. No.: **29/701,285**

(22) Filed: **Aug. 9, 2019**

(51) **LOC (13) Cl.** ..... **24-02**

(52) **U.S. Cl.**  
USPC ..... **D24/145**

(58) **Field of Classification Search**  
USPC ..... D24/145

(Continued)

(56) **References Cited**

**U.S. PATENT DOCUMENTS**

7,055,730 B2 \* 6/2006 Ehrenfels ..... A61B 17/07207  
227/175.4  
7,140,527 B2 \* 11/2006 Ehrenfels ..... A61B 17/07207  
227/175.1

(Continued)

**FOREIGN PATENT DOCUMENTS**

EM 006222592-0001 \* 2/2019  
EM 006222592-0002 \* 2/2019

(Continued)

**OTHER PUBLICATIONS**

Design U.S. Appl. No. 29/701,296.

(Continued)

*Primary Examiner* — Wan Laymon

(74) *Attorney, Agent, or Firm* — Frost Brown Todd LLC

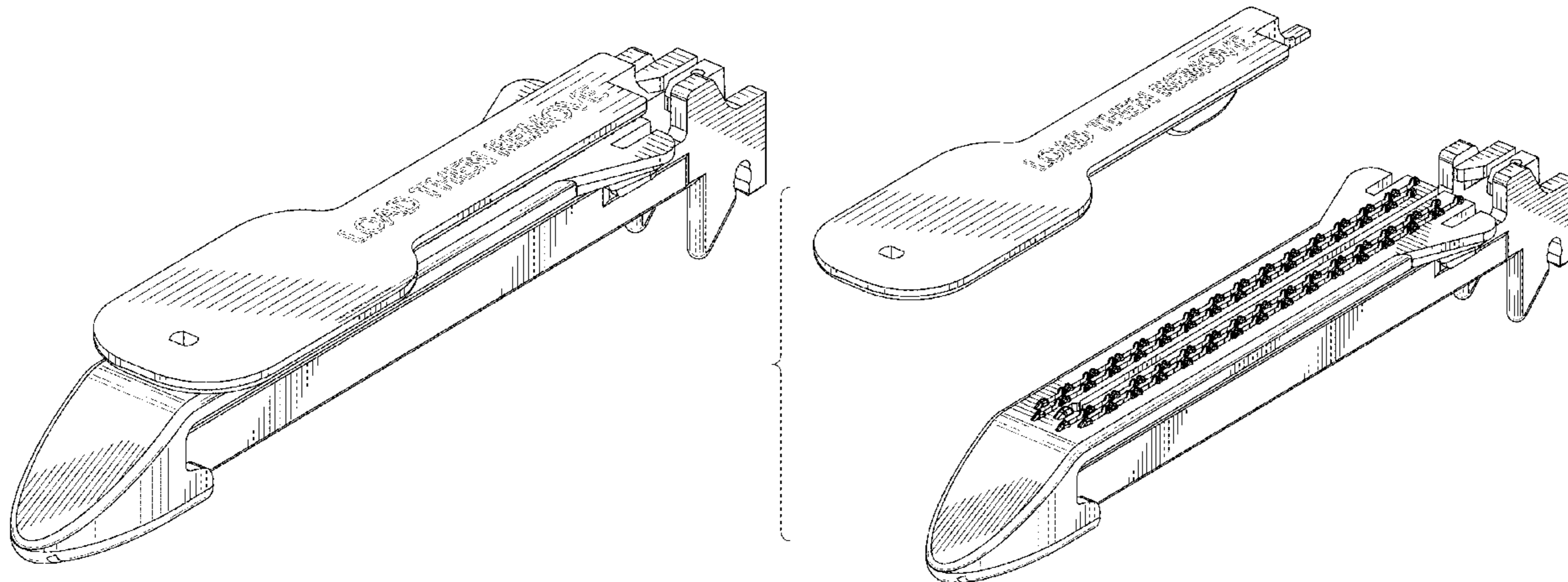
(57) **CLAIM**

The ornamental design for a staple cartridge assembly for linear surgical stapler, as shown and described.

**DESCRIPTION**

FIG. 1 is a perspective view of a staple cartridge assembly for linear surgical stapler, showing our new design; FIG. 2 is a front elevational view of the staple cartridge assembly of FIG. 1; FIG. 3 is a rear elevational view of the staple cartridge assembly of FIG. 1; FIG. 4 is a first side elevational view of the staple cartridge assembly of FIG. 1; FIG. 5 is a second side elevational view of the staple cartridge assembly of FIG. 1; FIG. 6 is a top plan view of the staple cartridge assembly of FIG. 1; FIG. 7 is a bottom plan view of the staple cartridge assembly of FIG. 1; FIG. 8 is a perspective view of the staple cartridge assembly of FIG. 1 in a partially disassembled state, showing our new design; FIG. 9 is a front elevational view of the staple cartridge assembly of FIG. 8; FIG. 10 is a rear elevational view of the staple cartridge assembly of FIG. 8; FIG. 11 is a first side elevational view of the staple cartridge assembly of FIG. 8; FIG. 12 is a second side elevational view of the staple cartridge assembly of FIG. 8; FIG. 13 is a top plan view of the staple cartridge assembly of FIG. 8; and, FIG. 14 is a bottom plan view of the staple cartridge assembly of FIG. 8.

(Continued)



The broken lines shown in the drawings are included for the purpose of illustration portions of the staple cartridge assembly for linear surgical stapler and form no part of the claimed design.

**1 Claim, 9 Drawing Sheets**

**(58) Field of Classification Search**

CPC ..... A61B 17/07207; A61B 17/068; A61B 17/064; A61B 17/072; A61B 2017/07278; A61B 2017/07228; A61B 2017/07242  
See application file for complete search history.

**(56) References Cited**

**U.S. PATENT DOCUMENTS**

7,293,685 B2 \* 11/2007 Ehrenfels ..... A61B 17/07207  
227/175.1  
7,334,717 B2 \* 2/2008 Rethy ..... A61B 17/07207  
227/175.1  
7,419,081 B2 \* 9/2008 Ehrenfels ..... A61B 17/07207  
227/178.1  
7,568,604 B2 \* 8/2009 Ehrenfels ..... A61B 17/07207  
227/176.1  
D605,762 S \* 12/2009 Nalagatla ..... D24/145  
7,631,793 B2 \* 12/2009 Rethy ..... A61B 17/07207  
227/175.1  
7,631,794 B2 \* 12/2009 Rethy ..... A61B 17/07207  
227/175.1  
7,721,933 B2 \* 5/2010 Ehrenfels ..... A61B 17/07207  
227/176.1  
7,942,300 B2 \* 5/2011 Rethy ..... A61B 17/07207  
227/175.1  
8,074,861 B2 \* 12/2011 Ehrenfels ..... A61B 17/07207  
227/180.1  
8,091,754 B2 \* 1/2012 Ehrenfels ..... A61B 17/07207  
227/175.2  
8,371,492 B2 \* 2/2013 Aranyi ..... A61B 17/07207  
227/176.1  
8,387,848 B2 \* 3/2013 Johnson ..... A61B 17/068  
227/175.1  
8,561,873 B2 \* 10/2013 Ingmanson ..... A61B 17/072  
227/176.1  
8,631,989 B2 \* 1/2014 Aranyi ..... A61B 17/07207  
227/175.1  
8,820,606 B2 \* 9/2014 Hodgkinson .... A61B 17/07207  
227/176.1  
8,939,344 B2 \* 1/2015 Olson ..... A61B 17/07207  
227/176.1  
9,010,606 B2 \* 4/2015 Aranyi ..... A61B 17/068  
227/175.1  
9,192,378 B2 \* 11/2015 Aranyi ..... A61B 17/07207  
9,192,379 B2 \* 11/2015 Aranyi ..... A61B 17/068  
9,572,576 B2 \* 2/2017 Hodgkinson .... A61B 17/07207  
9,610,080 B2 \* 4/2017 Whitfield ..... A61B 17/07292  
9,622,745 B2 \* 4/2017 Ingmanson ..... A61B 17/072

D831,209 S \* 10/2018 Huitema ..... A61B 17/07207  
D24/145  
10,293,553 B2 \* 5/2019 Racenet ..... B29C 66/727  
10,485,540 B2 \* 11/2019 Hodgkinson ..... A61B 17/072  
10,576,298 B2 \* 3/2020 Racenet ..... A61B 17/068  
10,631,866 B2 4/2020 Laurent et al.  
10,682,140 B2 \* 6/2020 Ingmanson ..... A61B 17/068  
10,722,234 B2 \* 7/2020 Hodgkinson .... A61B 17/07207  
10,842,485 B2 \* 11/2020 Hodgkinson .... A61B 17/07207  
D904,612 S \* 12/2020 Wynn ..... D24/145  
D904,613 S \* 12/2020 Wynn ..... D24/145  
10,959,729 B2 3/2021 Ehrenfels et al.  
2006/0151569 A1 \* 7/2006 Ehrenfels ..... A61B 17/07207  
227/180.1  
2007/0119901 A1 \* 5/2007 Ehrenfels ..... A61B 17/07207  
227/176.1  
2014/0130330 A1 \* 5/2014 Olson ..... A61B 17/07207  
29/428  
2016/0106426 A1 \* 4/2016 Shelton, IV ..... A61B 17/07207  
227/176.1  
2016/0106427 A1 \* 4/2016 Shelton, IV ..... A61B 17/07207  
227/180.1  
2019/0105047 A1 \* 4/2019 Nalagatla ..... A61B 17/07207  
2019/0239882 A1 8/2019 McLain et al.  
2019/0239883 A1 8/2019 Baxter, III et al.  
2019/0239884 A1 8/2019 Baxter, III et al.  
2019/0239885 A1 8/2019 Stokes et al.  
2019/0239886 A1 8/2019 Jones et al.  
2020/0046350 A1 2/2020 Deck et al.  
2020/0046351 A1 2/2020 Jones et al.  
2020/0046353 A1 2/2020 Deck et al.  
2020/0113561 A1 4/2020 Schings et al.  
2020/0113562 A1 4/2020 Schings et al.  
2021/0038223 A1 \* 2/2021 Schings ..... A61B 17/07207

**FOREIGN PATENT DOCUMENTS**

EM 006222592-0004 \* 2/2019  
EM 006222618-0001 \* 2/2019  
EM 006222618-0002 \* 2/2019  
EM 006222618-0004 \* 2/2019  
EM 006222618-0005 \* 2/2019  
GB 6054265 \* 2/2019  
GB 6054266 \* 2/2019  
GB 6054268 \* 2/2019  
GB 6054270 \* 2/2019  
GB 6054271 \* 2/2019  
GB 6054273 \* 2/2019  
IN 214265-0001 \* 1/2008  
IN 314192-004-0001 \* 1/2019  
JP D 1617164 S 10/2018

**OTHER PUBLICATIONS**

Design U.S. Appl. No. 29/701,300.  
Japanese Office Action, Notification, dated Feb. 16, 2021 for Design Application No. JP 2020-002367, 1 pg.  
Japanese Office Action, Notification, dated Feb. 16, 2021 for Design Application No. JP 2020-014315, 1 pg.

\* cited by examiner

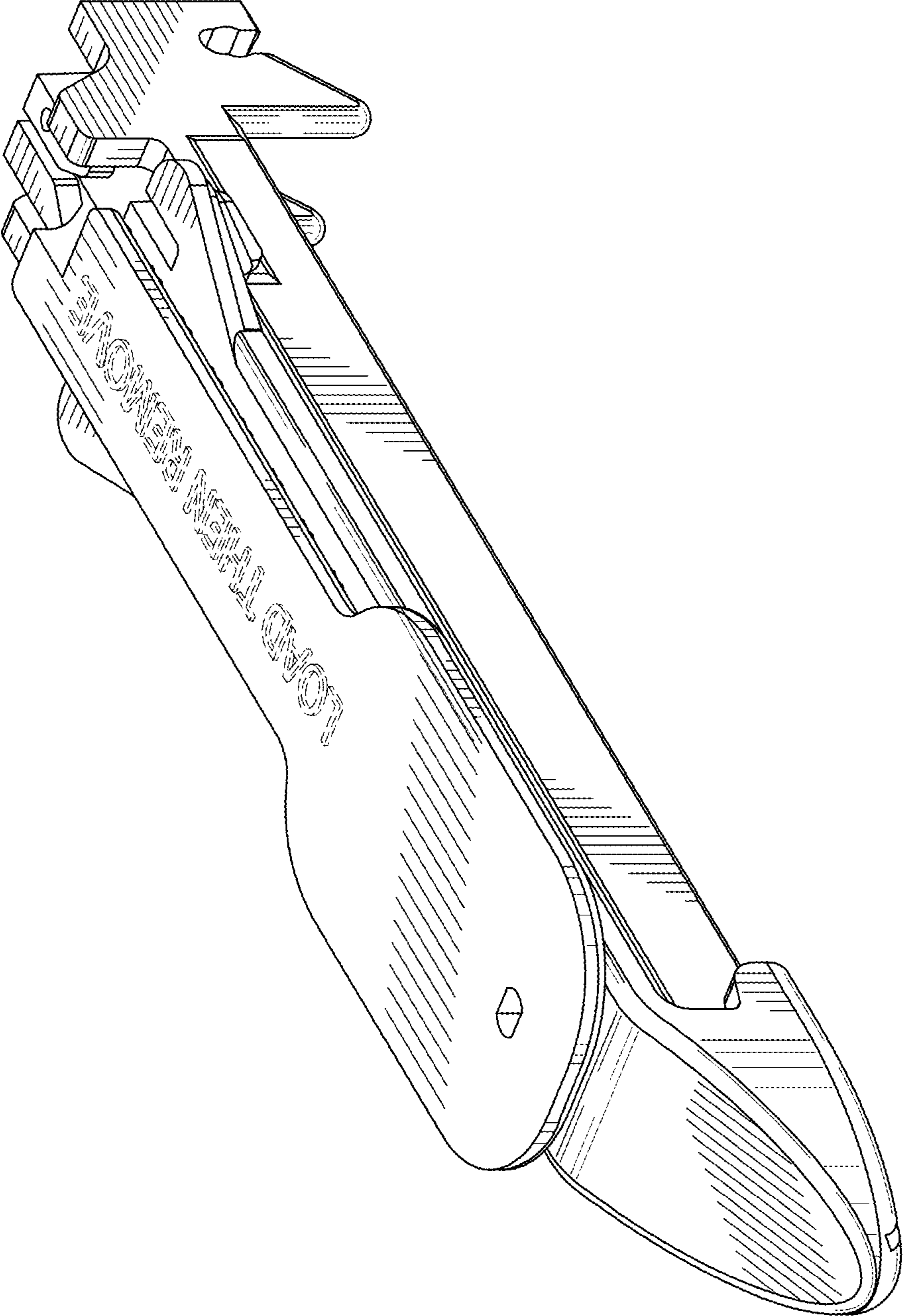
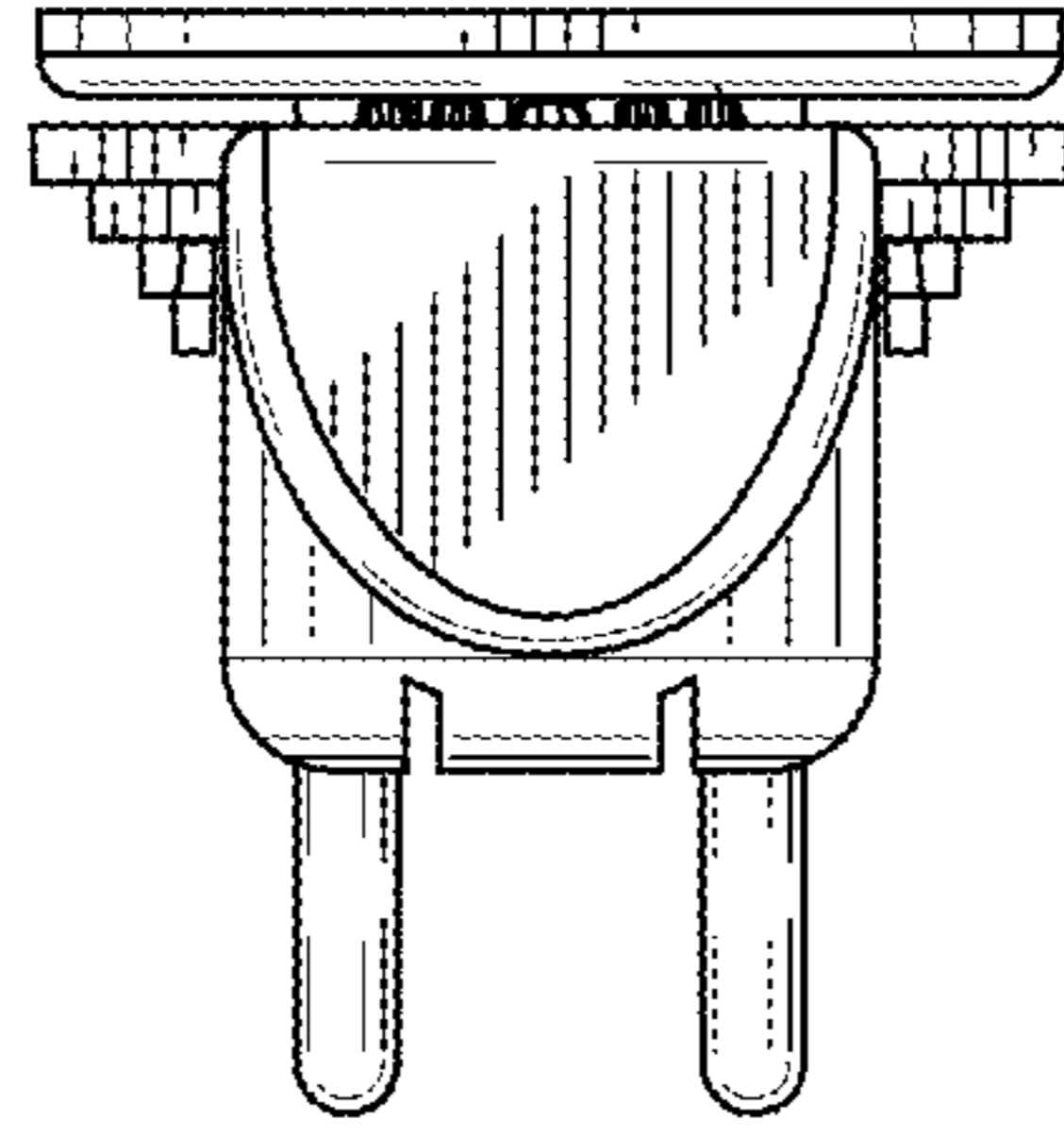
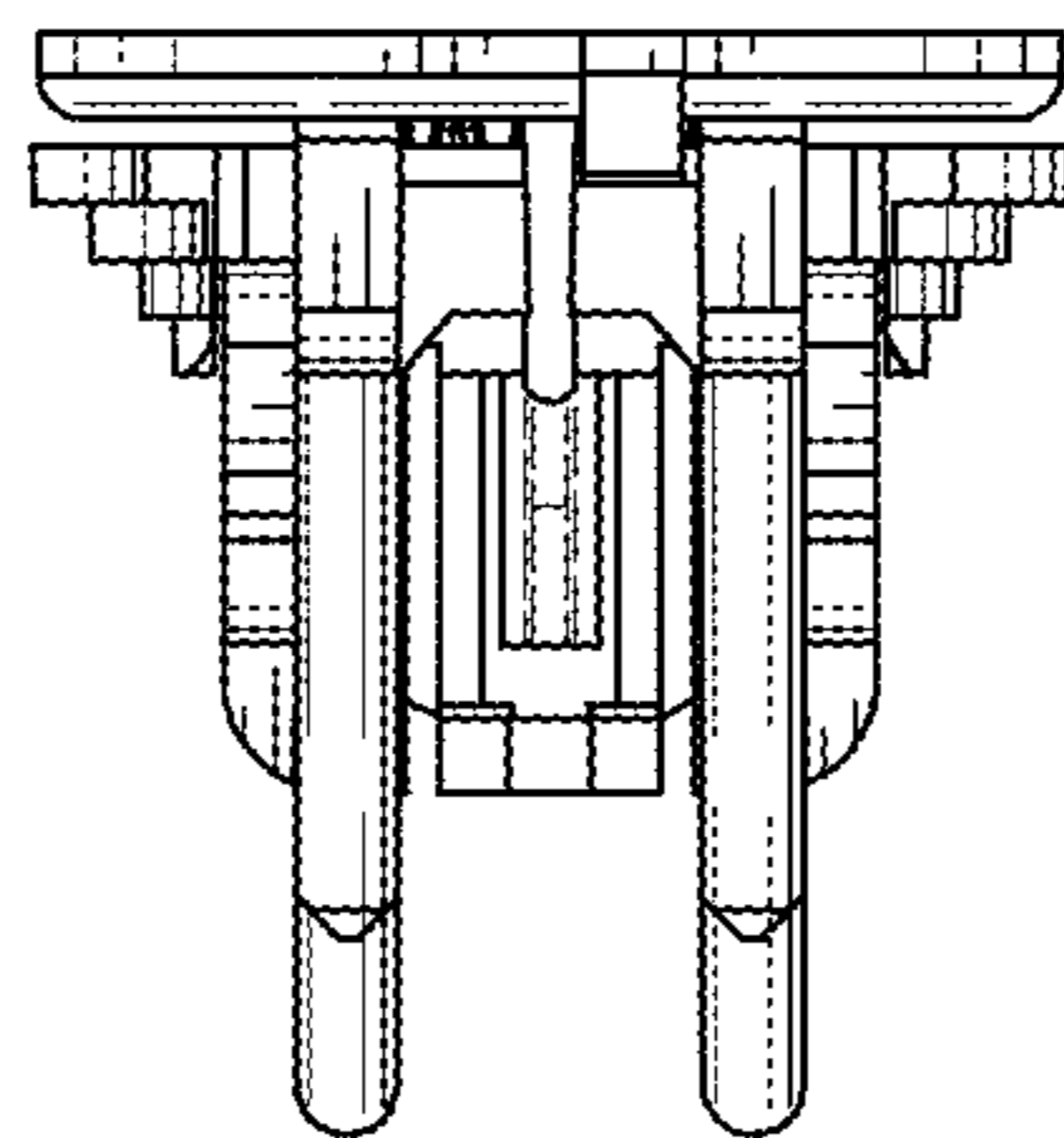


FIG. 1



**FIG. 2**



**FIG. 3**

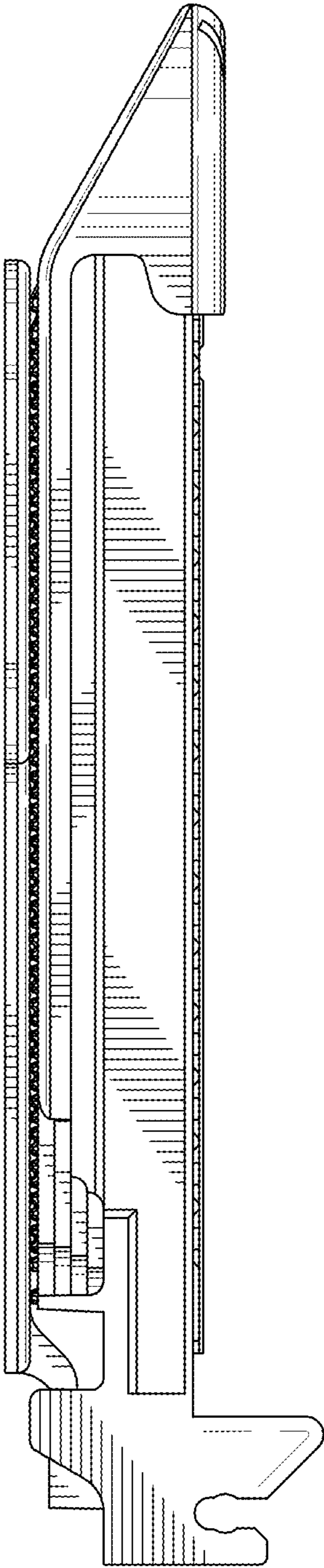


FIG. 4

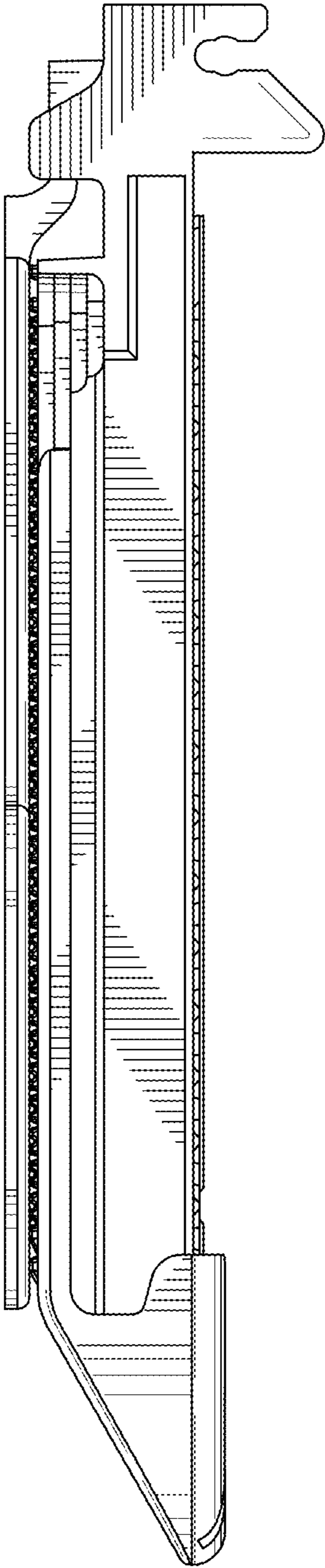


FIG. 5

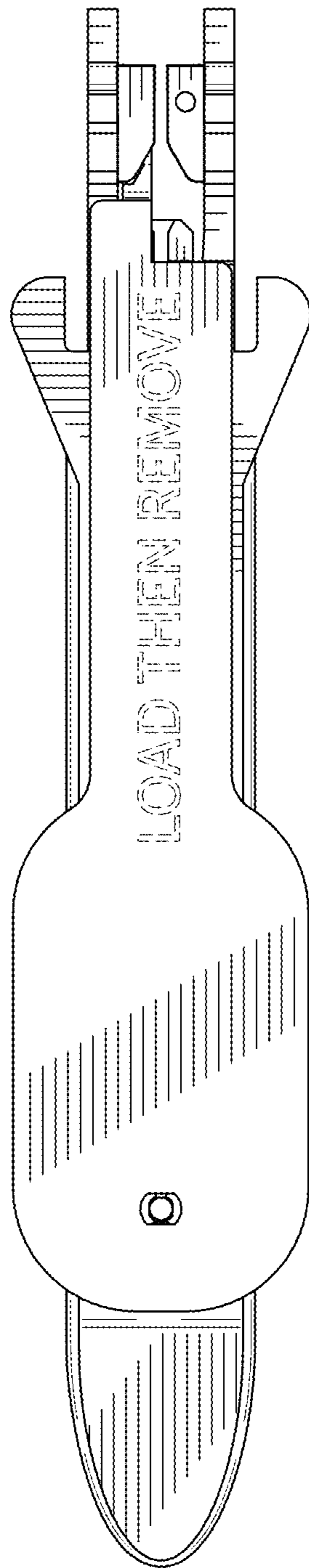


FIG. 6

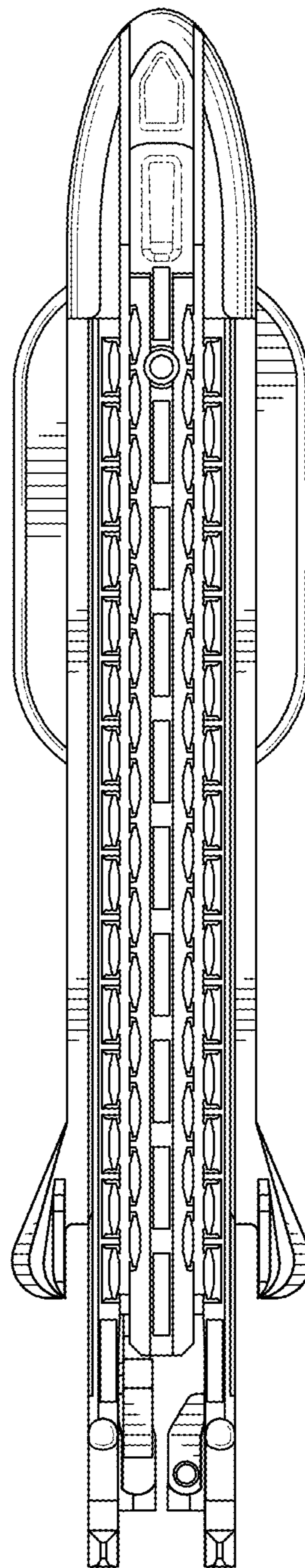


FIG. 7

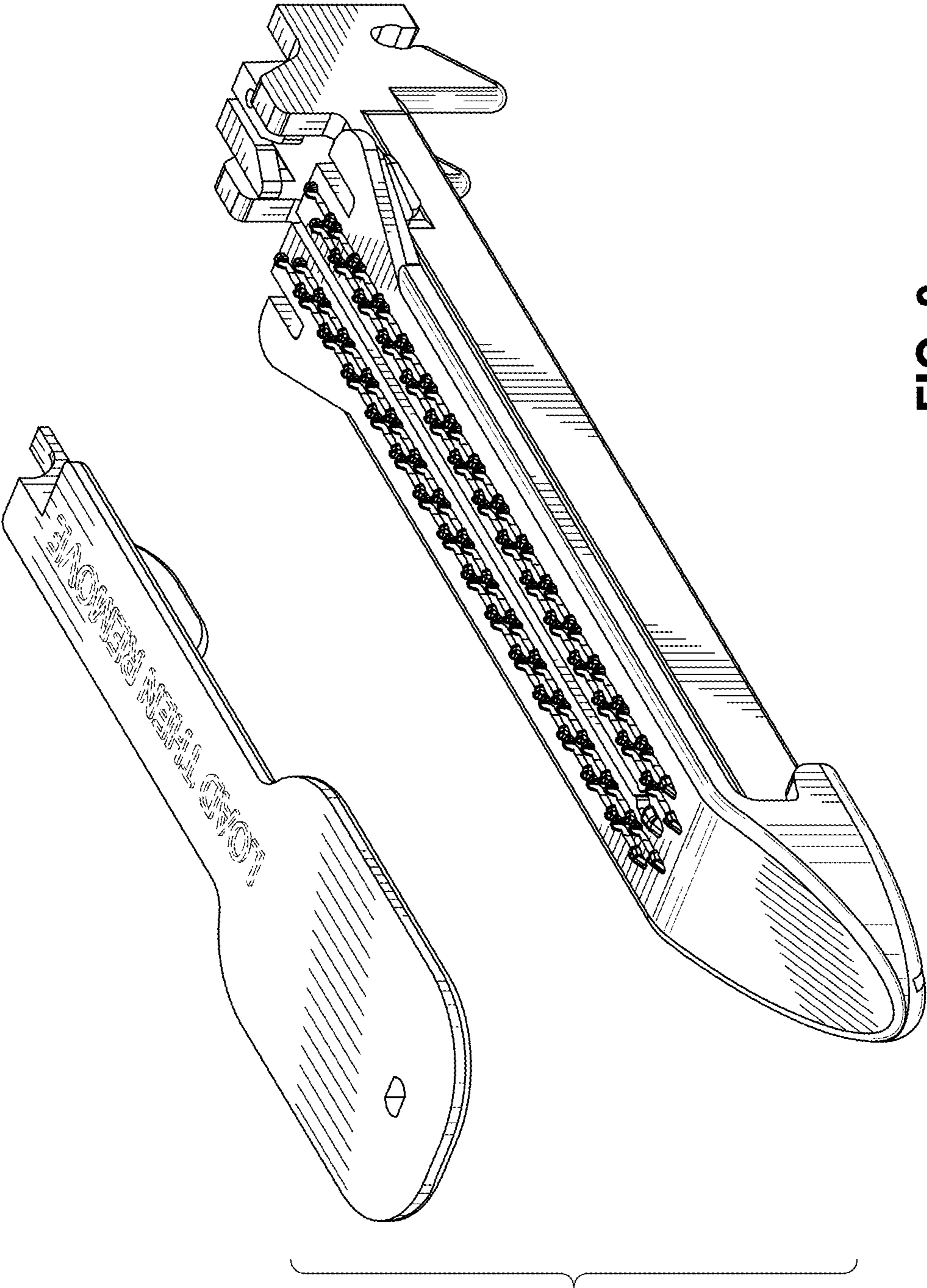


FIG. 8

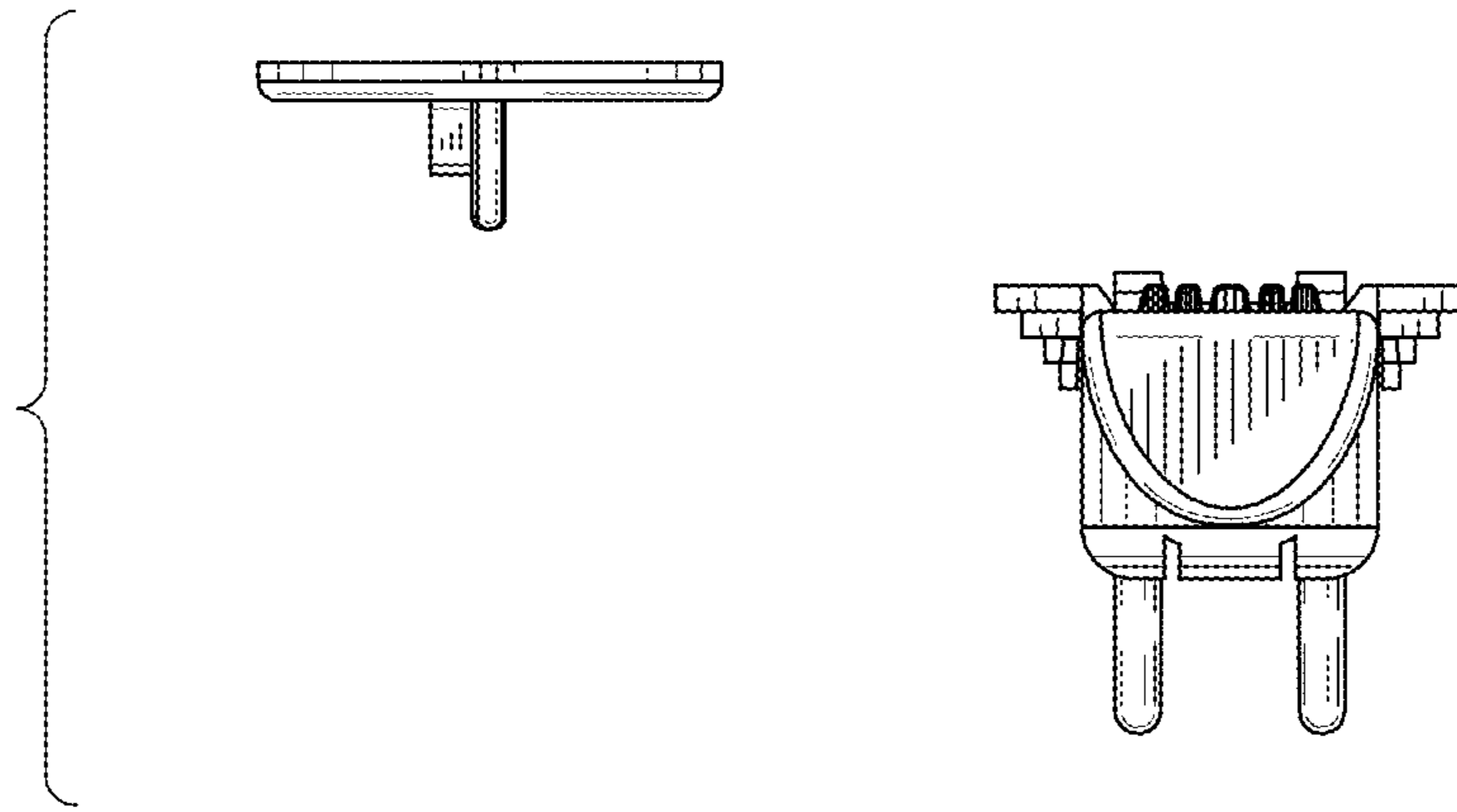


FIG. 9

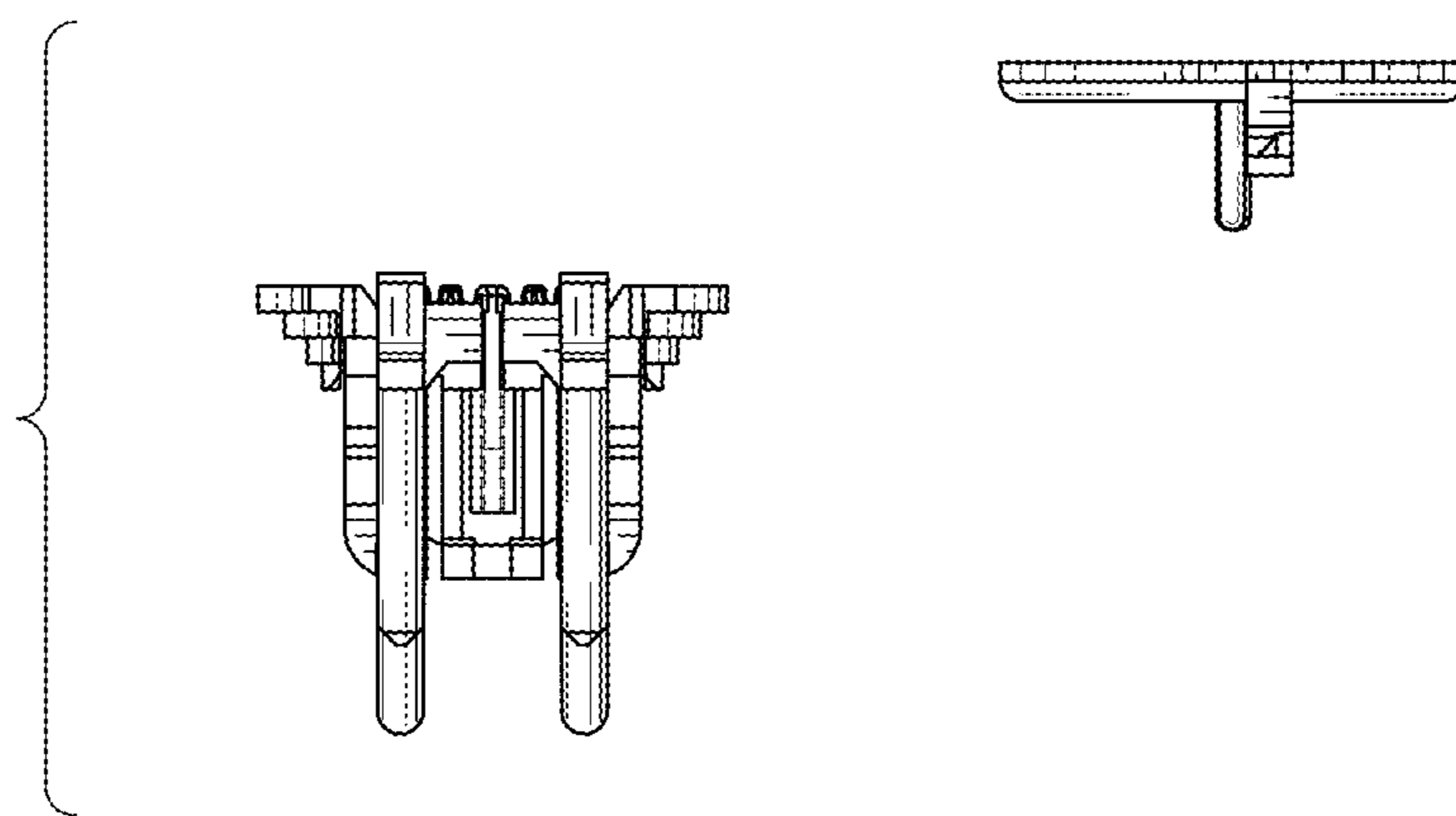


FIG. 10



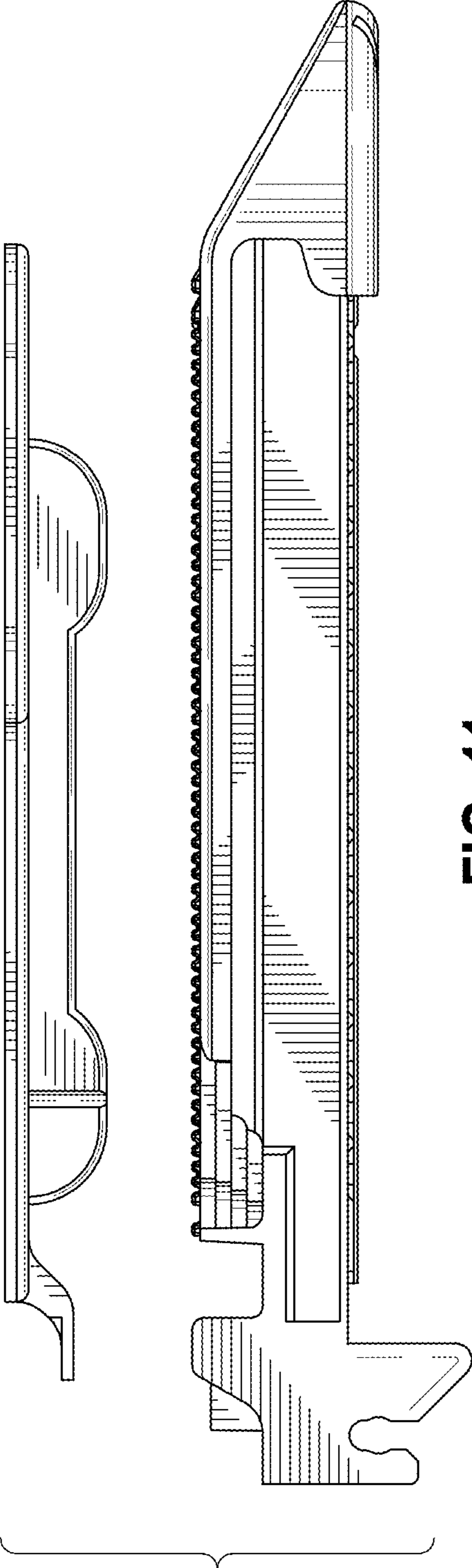


FIG. 11

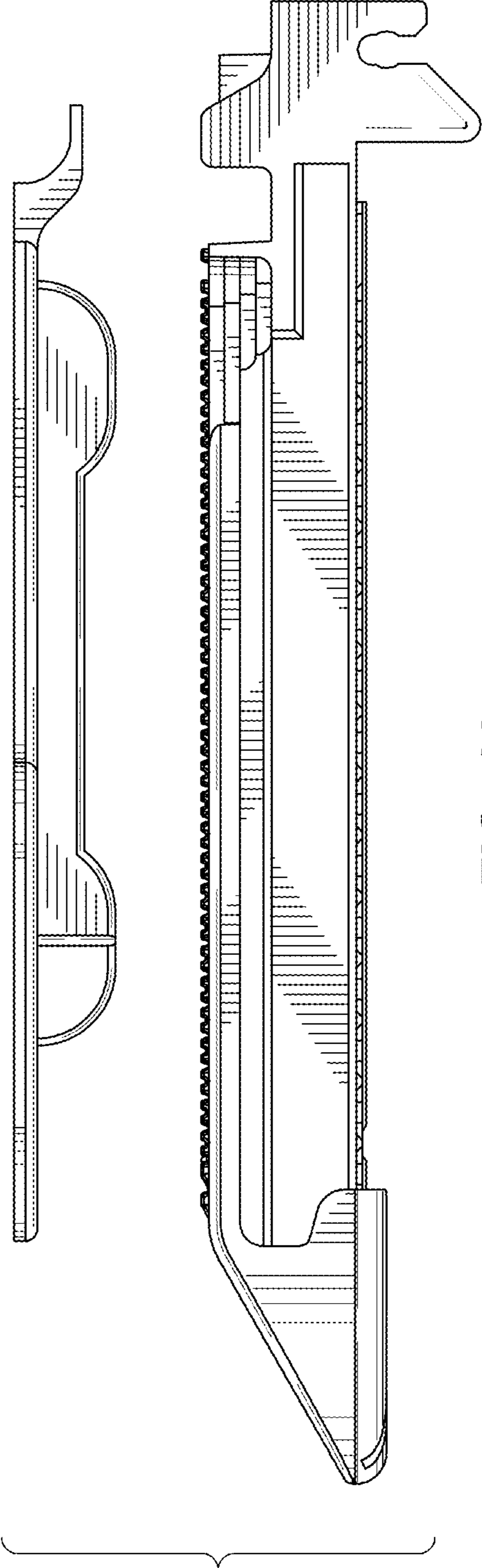


FIG. 12

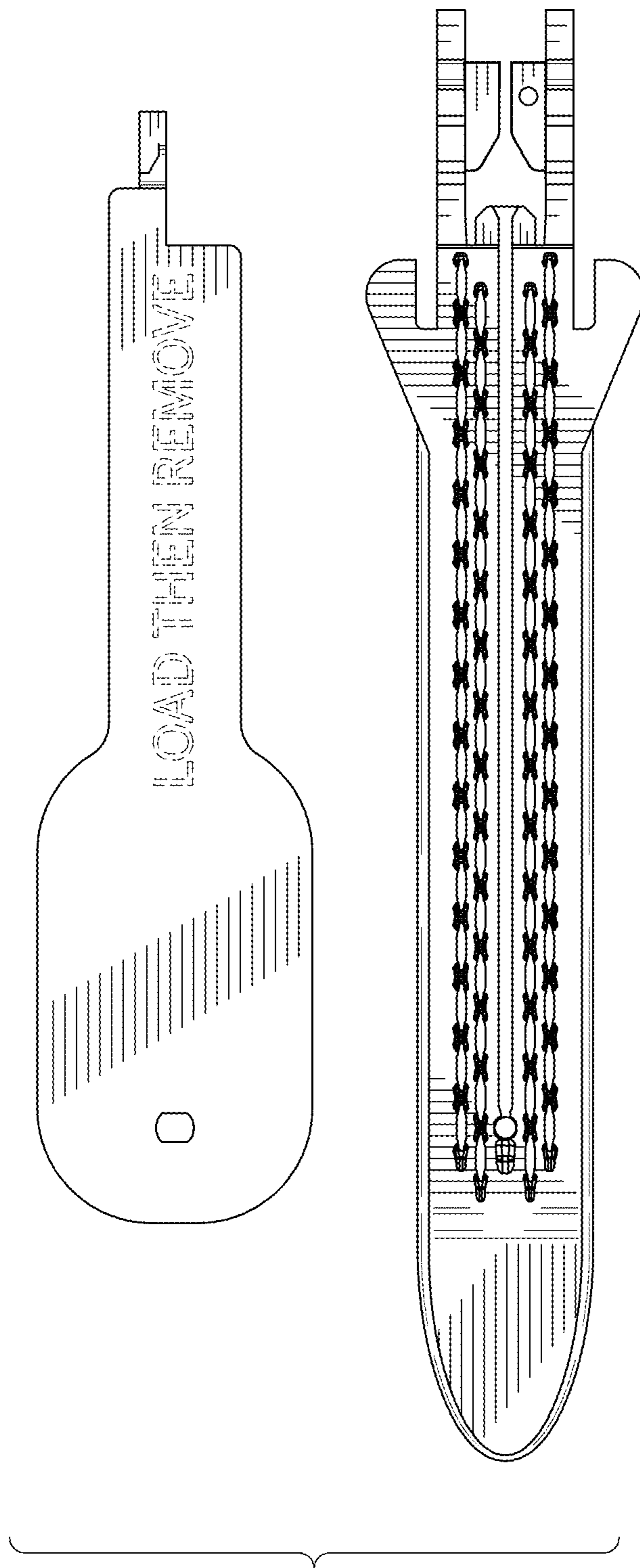


FIG. 13

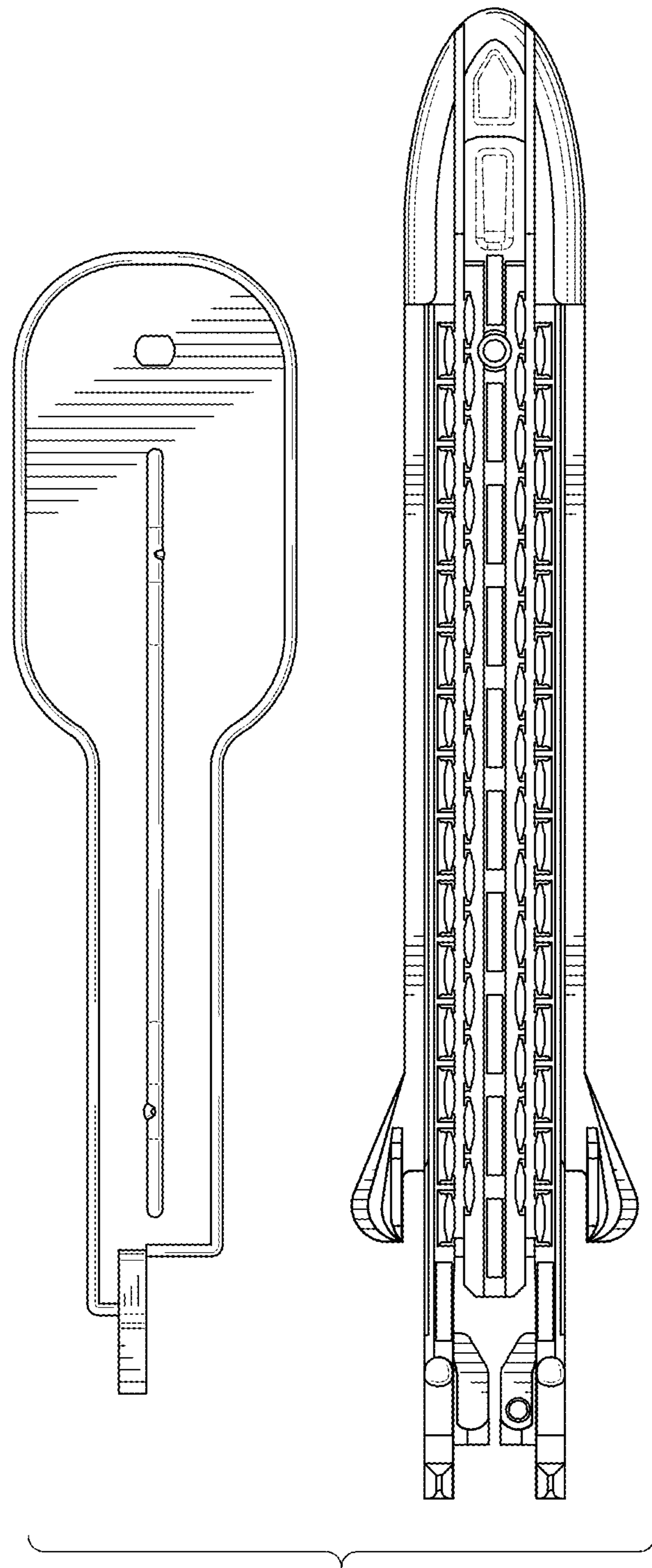


FIG. 14