



US00D955573S

(12) **United States Design Patent**
Mo

(10) **Patent No.:** **US D955,573 S**

(45) **Date of Patent:** **** Jun. 21, 2022**

(54) **ENDOSCOPE**

(71) Applicant: **Hunan Vathin Medical Instrument Co., Ltd.**, Xiangtan (CN)

(72) Inventor: **Wenjun Mo**, Xiangtan (CN)

(73) Assignee: **Hunan Vathin Medical Instrument Co., Ltd.**, Xiangtan (CN)

(**) Term: **15 Years**

(21) Appl. No.: **29/711,283**

(22) Filed: **Oct. 30, 2019**

(30) **Foreign Application Priority Data**

May 6, 2019 (CN) 201930215642.7

(51) **LOC (13) Cl.** **24-02**

(52) **U.S. Cl.**
USPC **D24/138**

(58) **Field of Classification Search**
USPC D24/137, 138, 133, 160, 134
CPC A61B 1/00066; A61M 25/0136
See application file for complete search history.

(56) **References Cited**

U.S. PATENT DOCUMENTS

D719,651 S * 12/2014 Hoffmann D24/133
D786,429 S * 5/2017 Cummins D24/141

D871,574 S * 12/2019 Lohk D24/138
D871,575 S * 12/2019 Lohk D24/138
D871,576 S * 12/2019 Lohk D24/138
D884,168 S * 5/2020 Lohk D24/138
D886,999 S * 6/2020 Lohk D24/138
D909,575 S * 2/2021 Ohno D24/138
D936,221 S * 11/2021 Jensen D24/138
D940,315 S * 1/2022 Ono D24/138

* cited by examiner

Primary Examiner — Eliza Z Harvey

(74) *Attorney, Agent, or Firm* — Bayramoglu Law Offices LLC

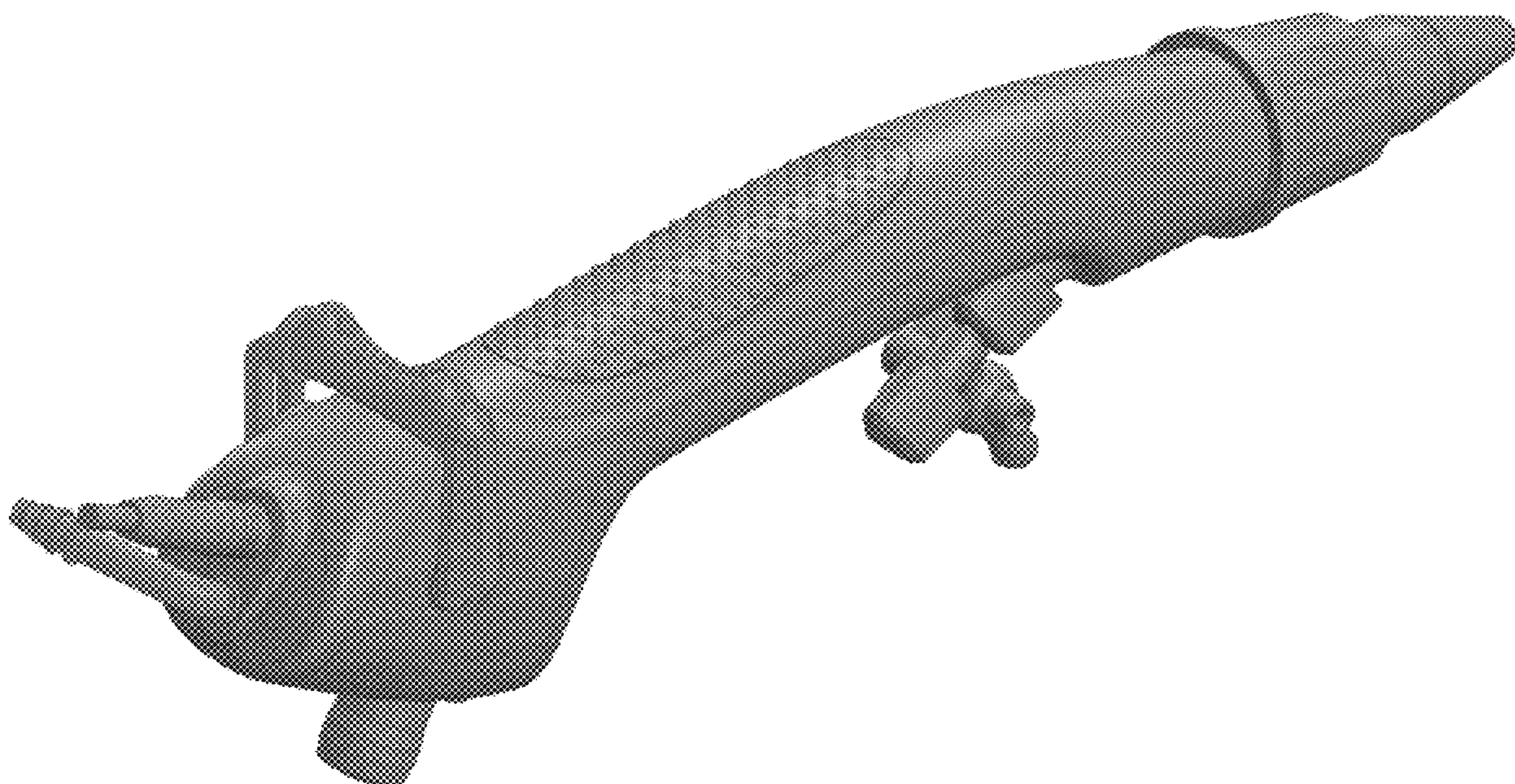
(57) **CLAIM**

The ornamental design for a endoscope, as shown and described.

DESCRIPTION

FIG. 1 is a perspective view of an endoscope showing the new design;
FIG. 2 is a front view thereof;
FIG. 3 is a rear view thereof;
FIG. 4 is a left side view thereof;
FIG. 5 is a right side view thereof;
FIG. 6 is a top view thereof; and,
FIG. 7 is a bottom view thereof.

1 Claim, 6 Drawing Sheets



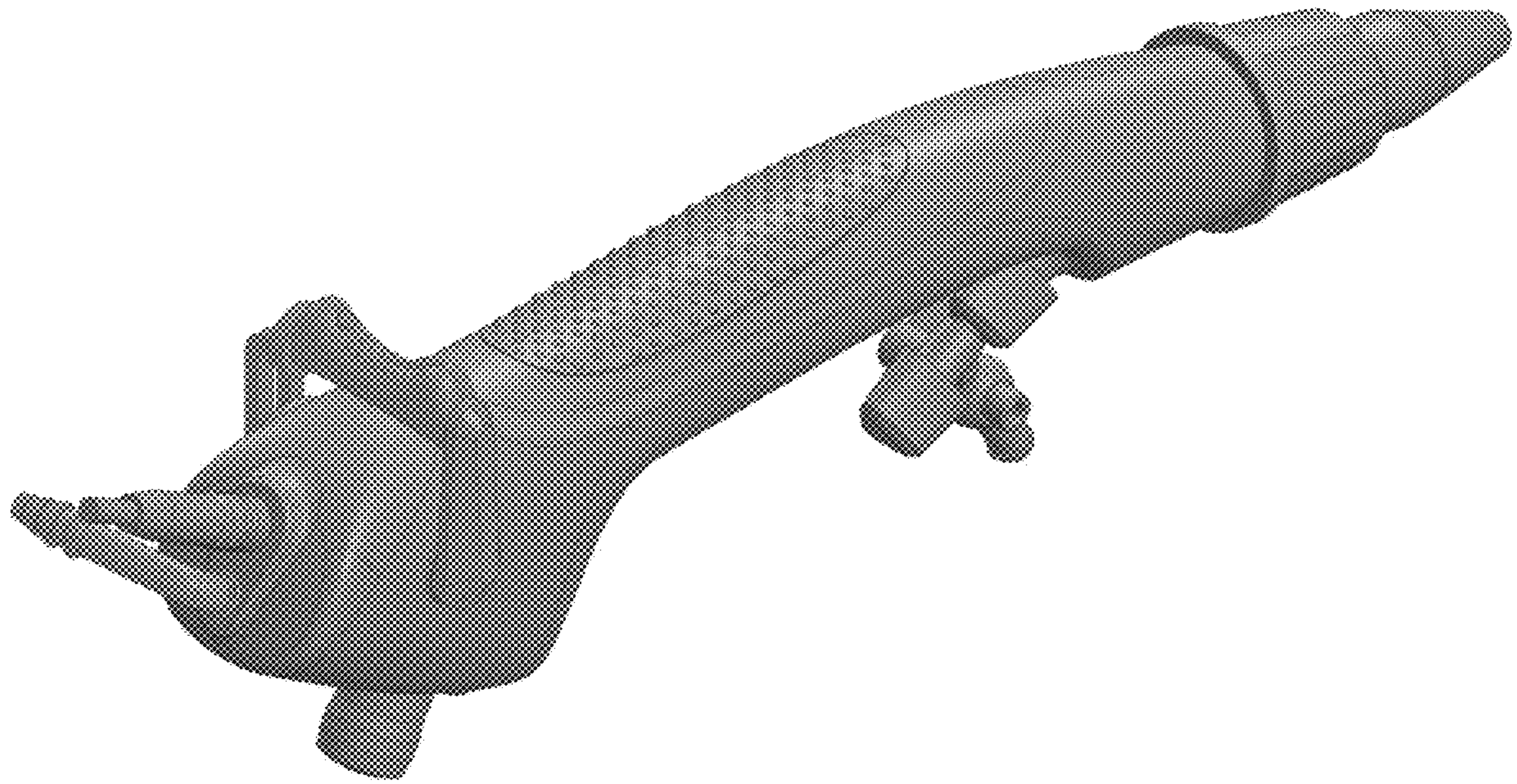


FIG. 1

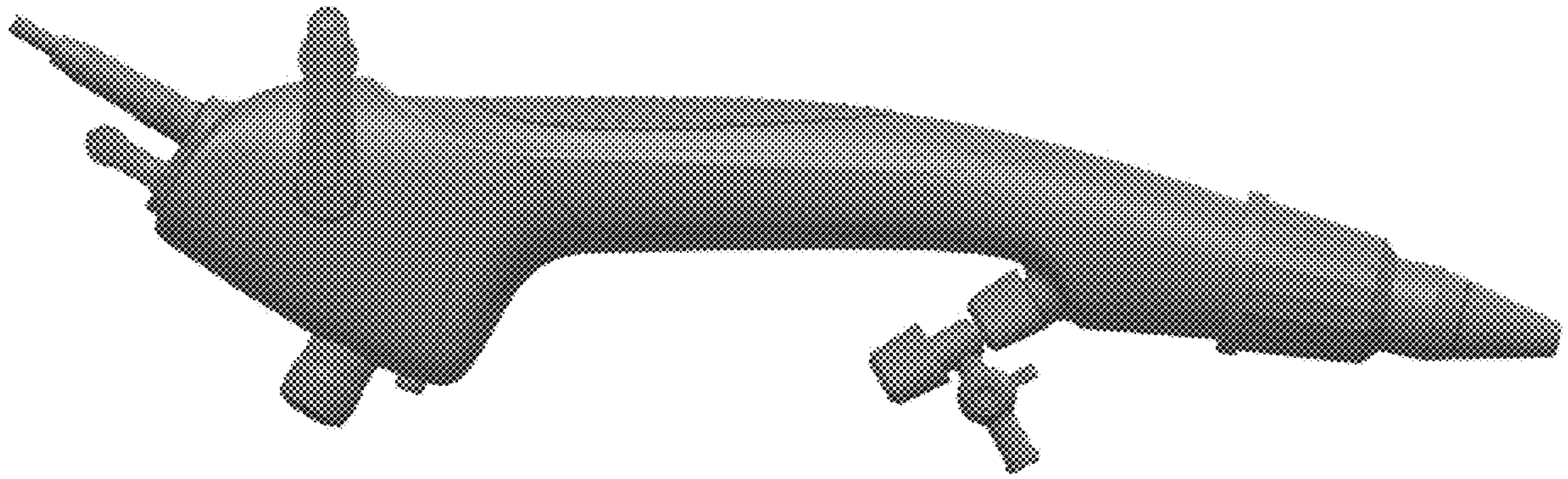


FIG. 2

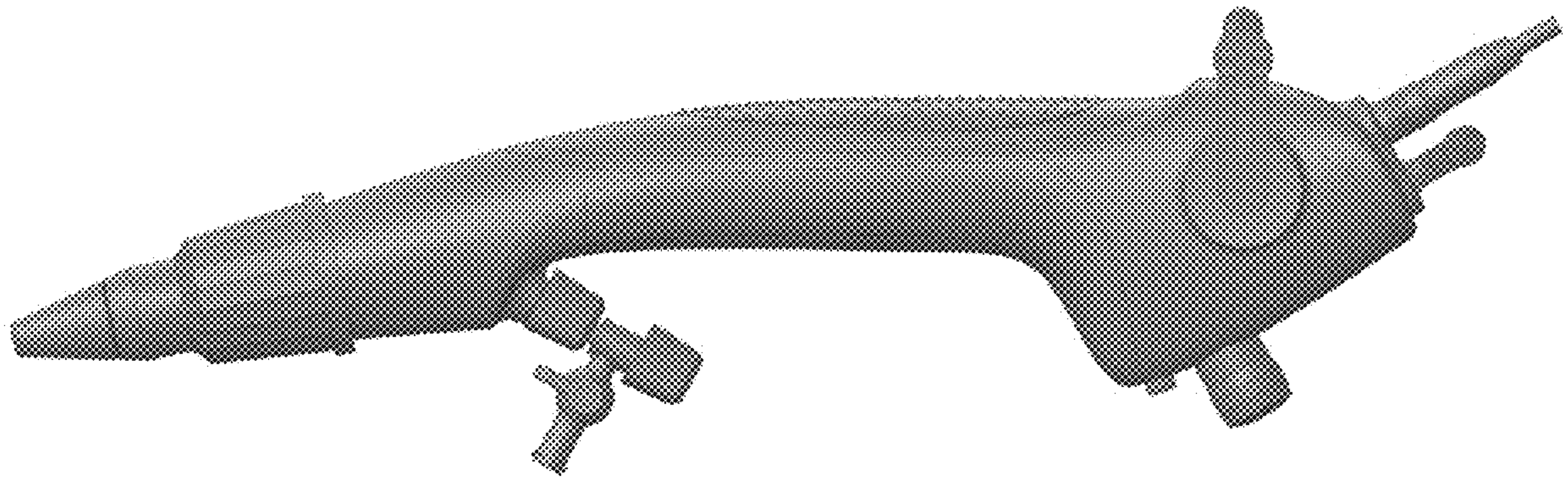


FIG. 3

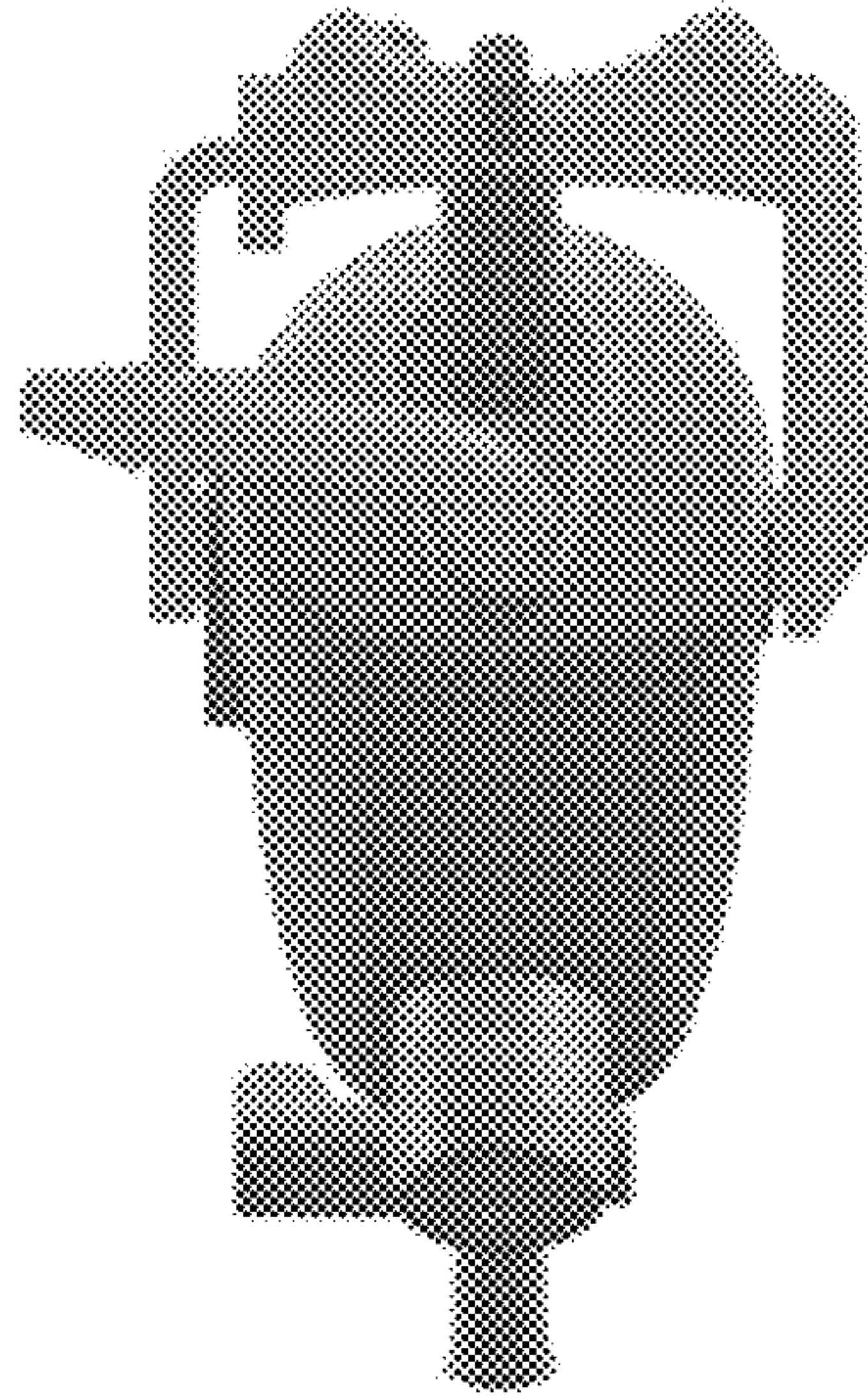


FIG. 4

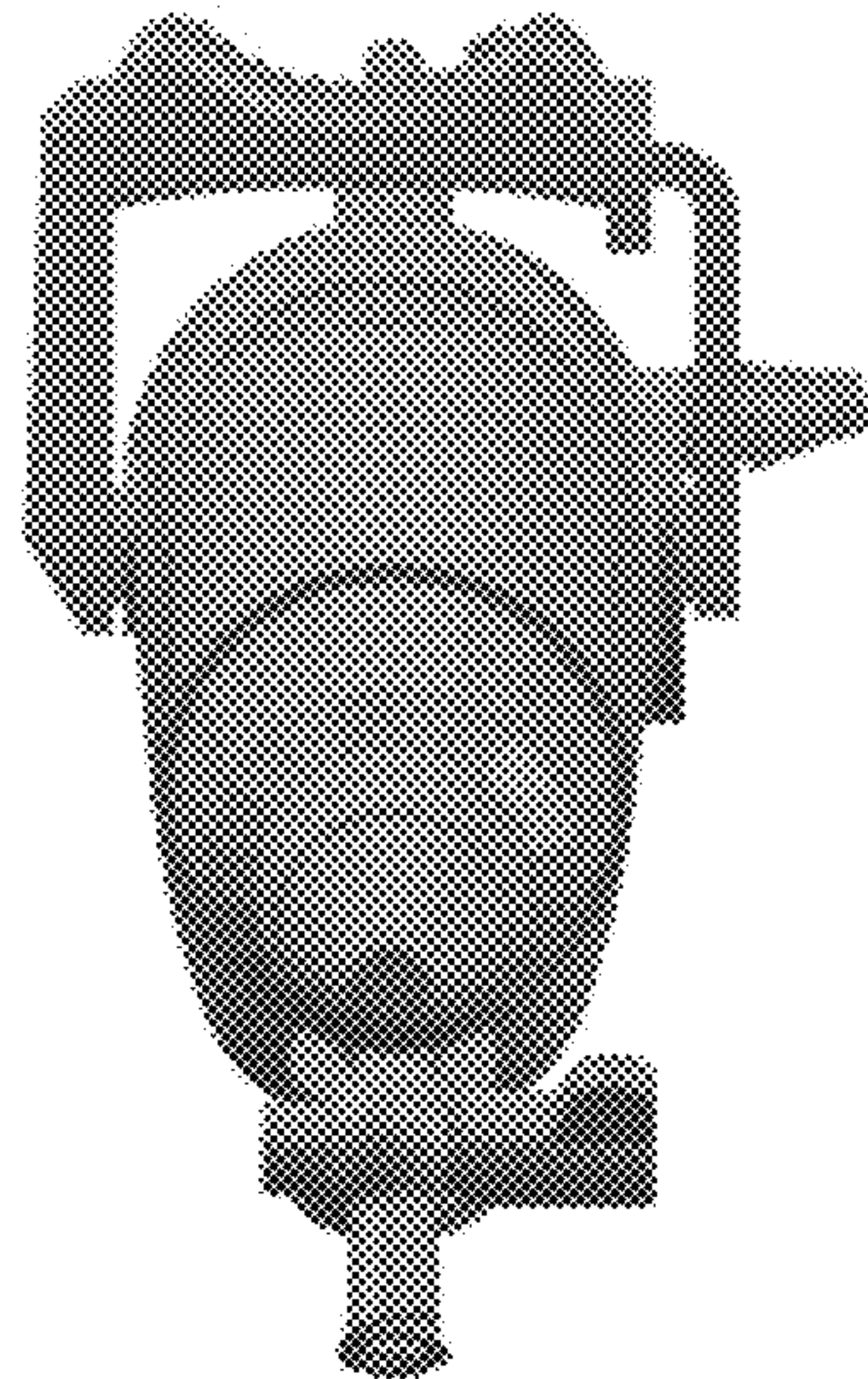


FIG. 5

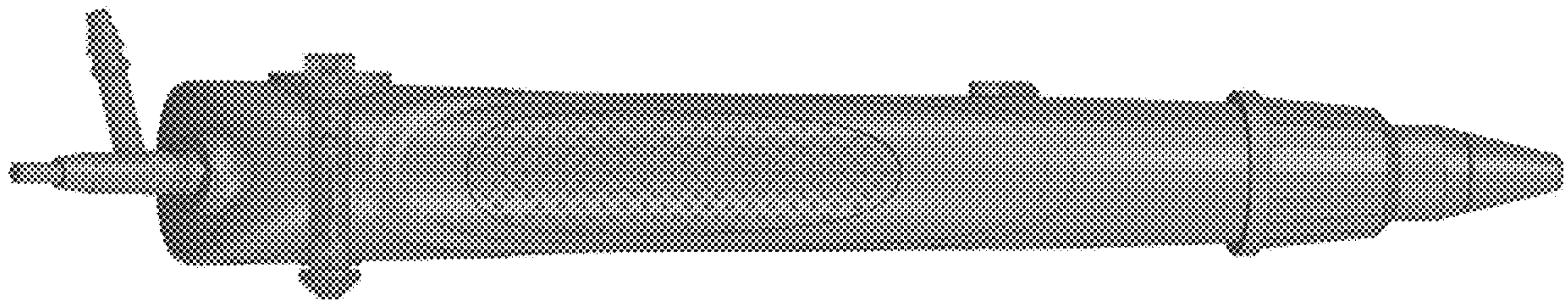


FIG. 6

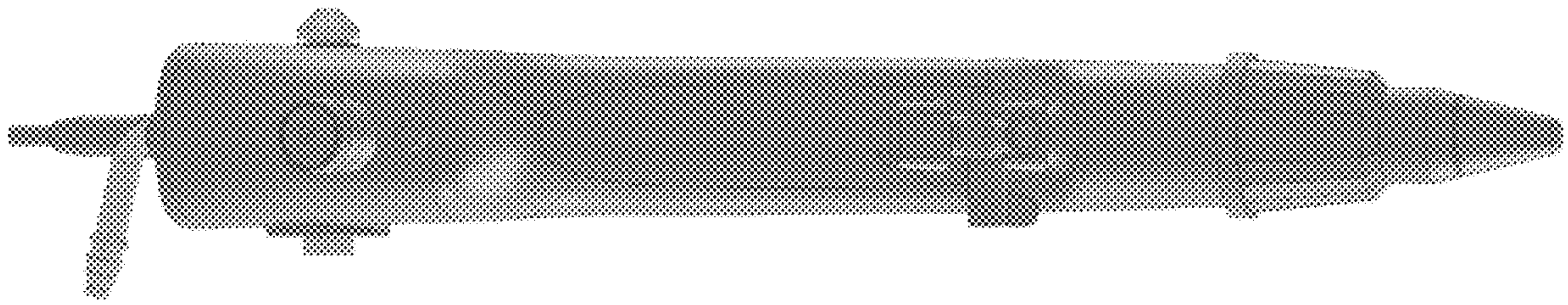


FIG. 7