



US00D955567S

(12) **United States Design Patent** (10) **Patent No.:** **US D955,567 S**
Andersen et al. (45) **Date of Patent:** **** Jun. 21, 2022**

- (54) **INJECTION DEVICE**
- (71) Applicant: **Novo Nordisk A/S**, Bagsværd (DK)
- (72) Inventors: **Signe Utoft Andersen**, Copenhagen (DK); **Lee Higson**, Tisvilde (DK); **Luca Corvatta**, London (GB); **Sam Hecht**, London (GB); **Kimberlee Colin**, London (GB)
- (73) Assignee: **Novo Nordisk A/S**, Bagsværd (DK)
- (**) Term: **15 Years**
- (21) Appl. No.: **29/797,177**
- (22) Filed: **Jun. 29, 2021**

Related U.S. Application Data

- (63) Continuation of application No. 29/704,548, filed on Sep. 5, 2019, now Pat. No. Des. 926,973.
- (51) **LOC (13) Cl.** **24-02**
- (52) **U.S. Cl.**
USPC **D24/114**
- (58) **Field of Classification Search**
USPC D24/112–114, 108, 133, 130, 127, 186;
606/181, 185; 604/264, 272, 187, 181,
604/184, 227
CPC A61M 5/178; A61M 3/00; A61M 5/20;
A61M 5/31; A61M 5/3146; A61M
5/3129; A61M 5/3148; A61M 5/315
See application file for complete search history.

(56) **References Cited**

U.S. PATENT DOCUMENTS

2,479,414 A	8/1949	Sanbonmatsu	
D370,974 S *	6/1996	Barresi D24/111
5,709,662 A	1/1998	Olive et al.	
5,728,074 A	3/1998	Castellano et al.	
D415,524 S	10/1999	Waldinger	
6,004,297 A	12/1999	Steenfeldt-Jensen et al.	

D452,271 S	12/2001	Owen et al.
D479,599 S	9/2003	Bainton
D479,603 S	9/2003	Tyce
D501,253 S	1/2005	Bainton
6,899,699 B2	5/2005	Enggaard
6,932,794 B2	8/2005	Giambattista et al.

(Continued)

FOREIGN PATENT DOCUMENTS

CN	ZL 201530048529.6	11/2015
JP	1537938	10/2015

(Continued)

OTHER PUBLICATIONS

Designit Flexpro Design Literature, <http://designit.com/cases/pushing-our-design-into-new-territories>, downloaded from the Internet Sep. 8, 2011.

(Continued)

Primary Examiner — David G Muller
(74) *Attorney, Agent, or Firm* — Saidman DesignLaw Group, LLC

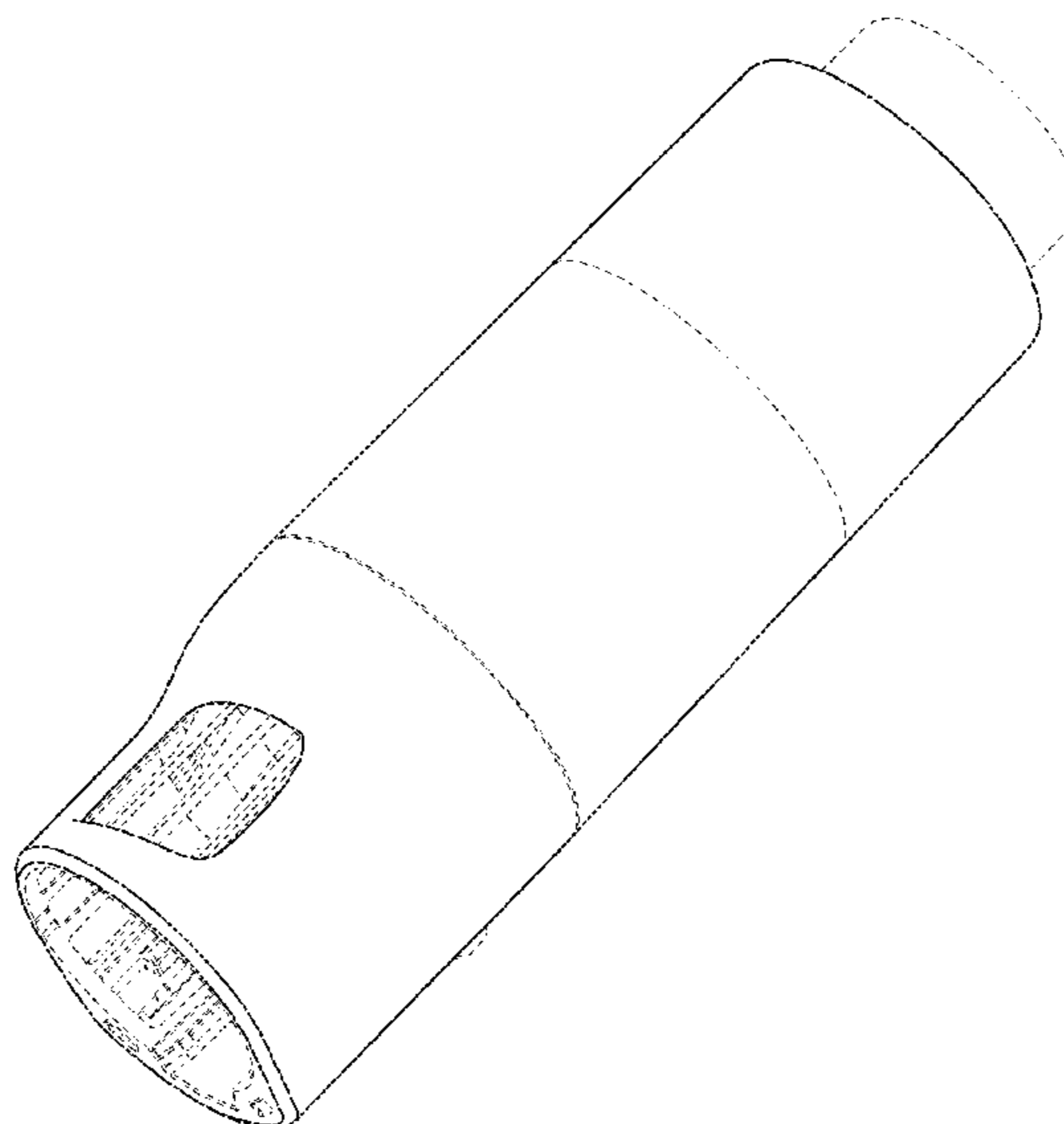
(57) **CLAIM**

The ornamental design for an injection device, as shown and described.

DESCRIPTION

FIG. 1 is a perspective view of an injection device showing our new design;
FIG. 2 is a front view thereof;
FIG. 3 is a rear view thereof;
FIG. 4 is a left side view thereof;
FIG. 5 is a right side view thereof;
FIG. 6 is a top view thereof; and,
FIG. 7 is a bottom view thereof.
The broken lines depict portions of the injection device which form no part of the claimed design.

1 Claim, 4 Drawing Sheets



(56)

References Cited

U.S. PATENT DOCUMENTS

7,133,329 B2 11/2006 Skyggebjerg et al.
 D551,341 S 9/2007 Galbraith
 D554,291 S 10/2007 Darnell et al.
 D555,609 S 11/2007 Galbraith
 D610,677 S 2/2010 Tyce
 D611,539 S 3/2010 Zhang
 D612,486 S 3/2010 Van der Stappen
 7,686,786 B2 3/2010 Moller et al.
 D619,702 S 7/2010 Galbraith
 D623,732 S 9/2010 Brady et al.
 D626,216 S 10/2010 Tyce
 RE41,956 E 11/2010 Klitgaard et al.
 D628,642 S 12/2010 Tan
 D628,646 S 12/2010 Zhano
 D641,077 S 7/2011 Sanders et al.
 D641,782 S 7/2011 Lira-Nunez et al.
 D645,962 S * 9/2011 Shaw D24/130
 8,012,164 B1 * 9/2011 Donohoe A61B 17/32053
 606/171
 D651,305 S 12/2011 Hawley et al.
 D652,136 S 1/2012 Hawley et al.
 8,192,369 B2 * 6/2012 Bacon A61B 10/0275
 606/186
 D666,725 S * 9/2012 McCormack D24/171
 D669,128 S 10/2012 Zhang
 D689,932 S 9/2013 Jin
 D697,617 S 1/2014 Sanders
 D703,809 S 4/2014 Sanders
 D708,317 S 7/2014 Schneider et al.
 D716,442 S 10/2014 Magome et al.
 D717,428 S 11/2014 Sendatzki et al.
 D717,940 S 11/2014 Magome et al.
 D719,257 S 12/2014 Magome et al.
 D722,158 S 2/2015 Magome et al.
 D724,721 S 3/2015 Geert-Jensen et al.
 D729,930 S 5/2015 Geert-Jensen et al.

D734,450 S 7/2015 Geert-Jensen et al.
 D740,937 S 10/2015 Schneider et al.
 D743,538 S 11/2015 Sanders et al.
 9,186,465 B2 11/2015 Jørgensen et al.
 D746,444 S 12/2015 Jones
 9,242,053 B2 1/2016 Wozencroft
 D749,717 S 2/2016 Kobida et al.
 D758,571 S 6/2016 Geert-Jensen et al.
 D762,222 S 7/2016 Damgaard-Sørensen et al.
 D765,833 S 9/2016 Geert-Jensen et al.
 D766,426 S * 9/2016 Hamann D24/114
 D820,441 S * 6/2018 Ketelhohn A61M 1/86
 D24/129
 D820,972 S * 6/2018 Klever D24/108
 D822,827 S * 7/2018 Hosogoe D24/127
 D824,023 S * 7/2018 Grimoldby D24/113
 D886,989 S * 6/2020 Lucio D24/127
 D889,638 S * 7/2020 Crothall D24/113
 D893,021 S * 8/2020 Dyer D24/113
 2007/0088288 A1 4/2007 Barron et al.
 2007/0123829 A1 5/2007 Atterbury et al.
 2007/0129687 A1 6/2007 Marshall et al.
 2008/0071226 A1 3/2008 Moser et al.
 2009/0124981 A1 5/2009 Evans
 2009/0259196 A1 10/2009 Gratwohl et al.

FOREIGN PATENT DOCUMENTS

WO 2010/052275 5/2010
 WO 2013/124119 8/2013
 WO 2019/162235 8/2019

OTHER PUBLICATIONS

Novo Nordisk A/S, NovoPen Echo, available at least as early as May 13, 2015.
 U.S. Appl. No. 29/704,548, filed Sep. 5, 2019 (unpublished).

* cited by examiner

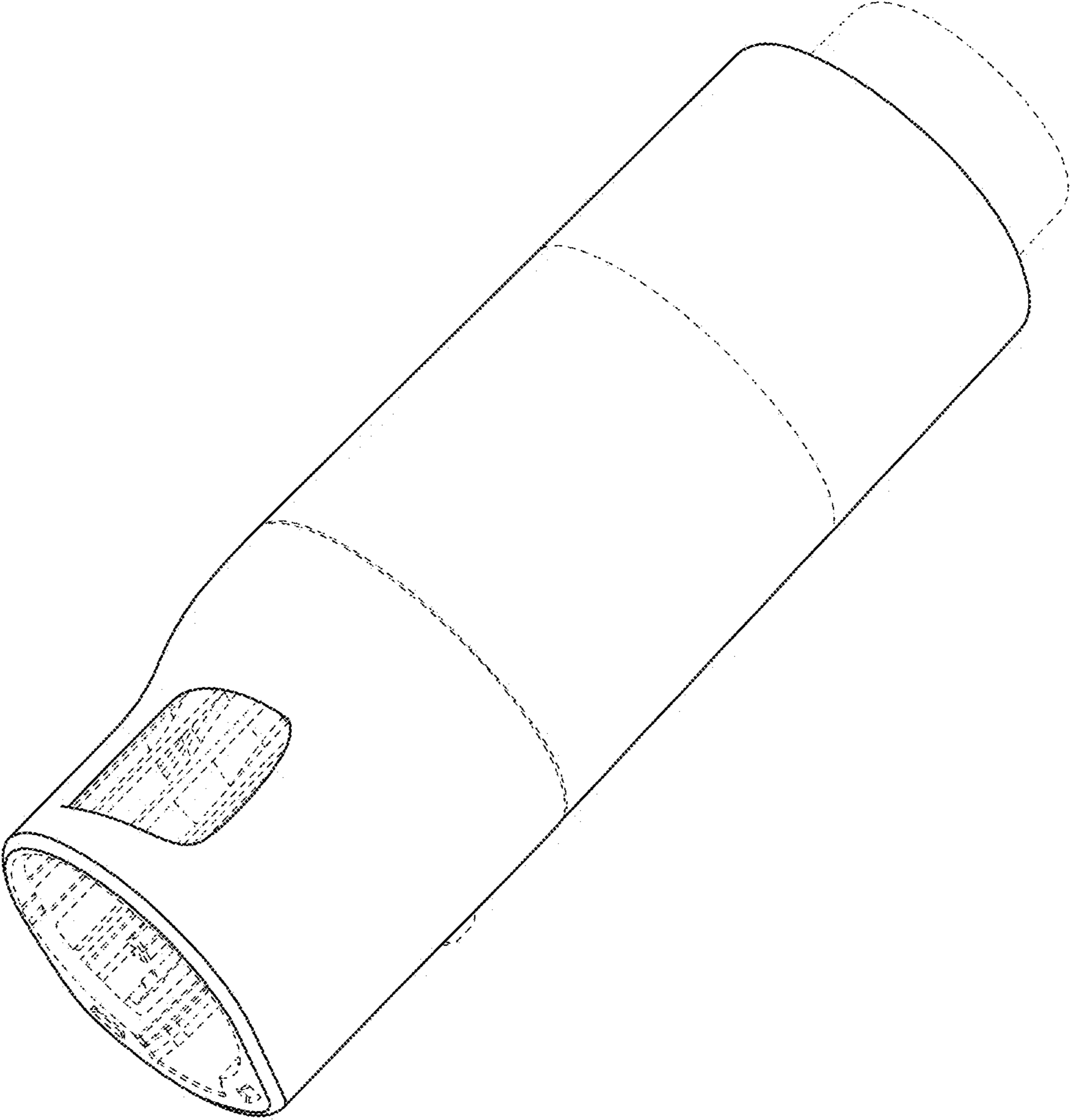


FIG. 1

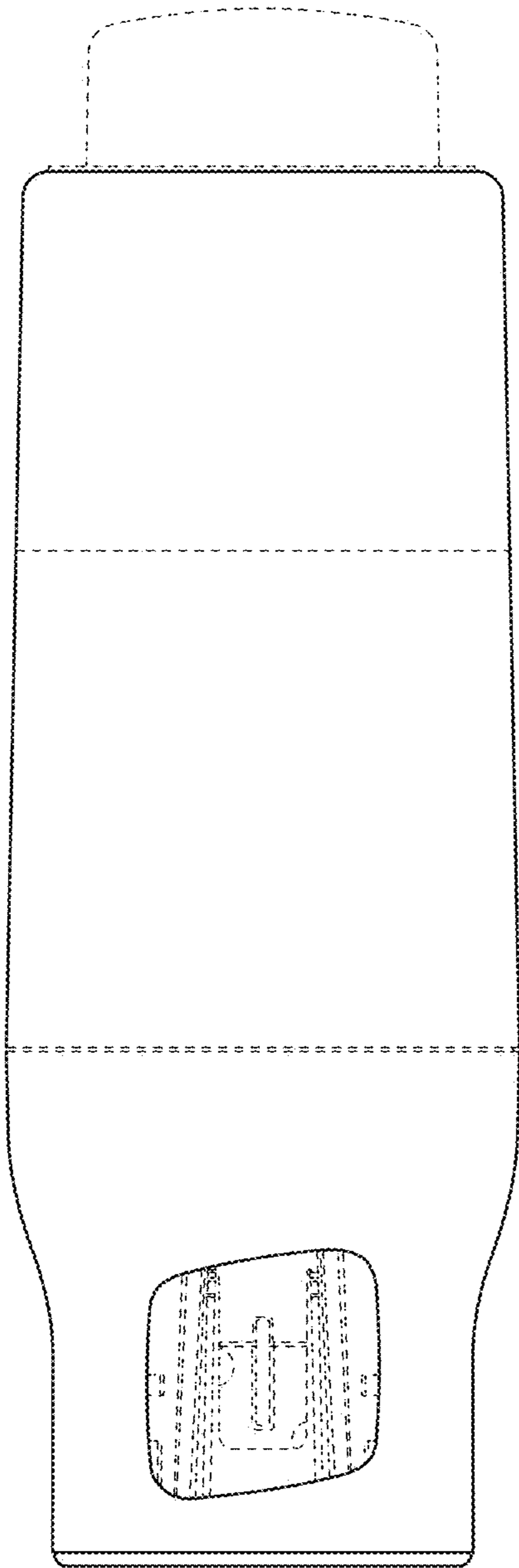


FIG. 2

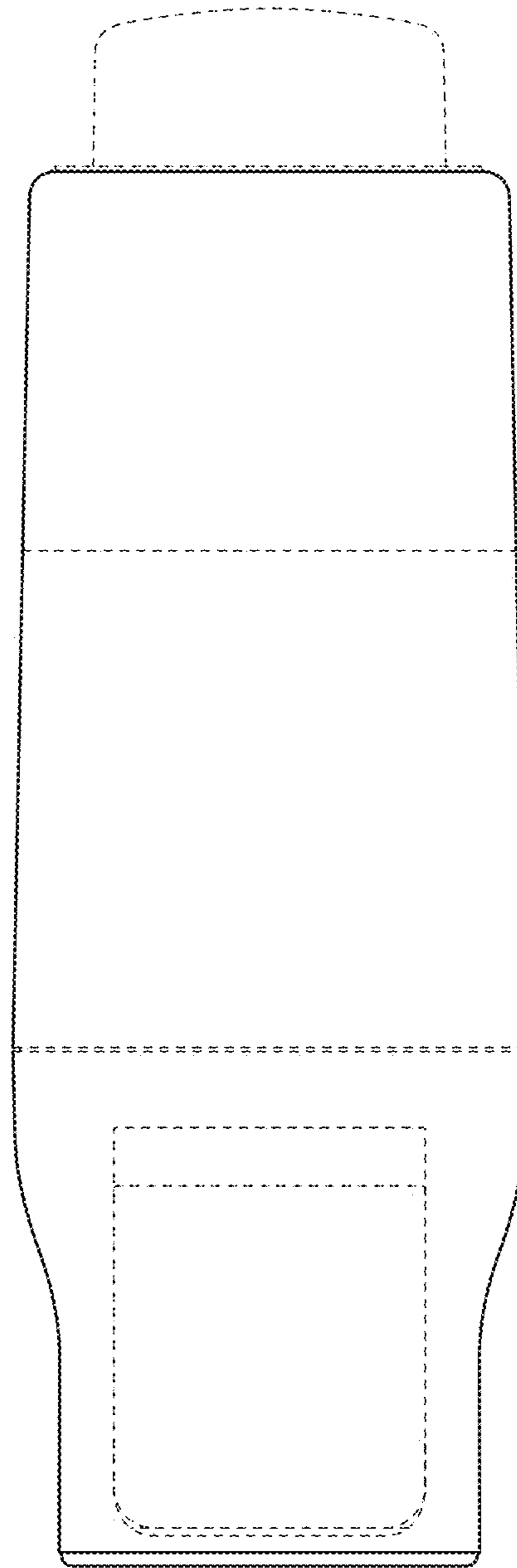


FIG. 3

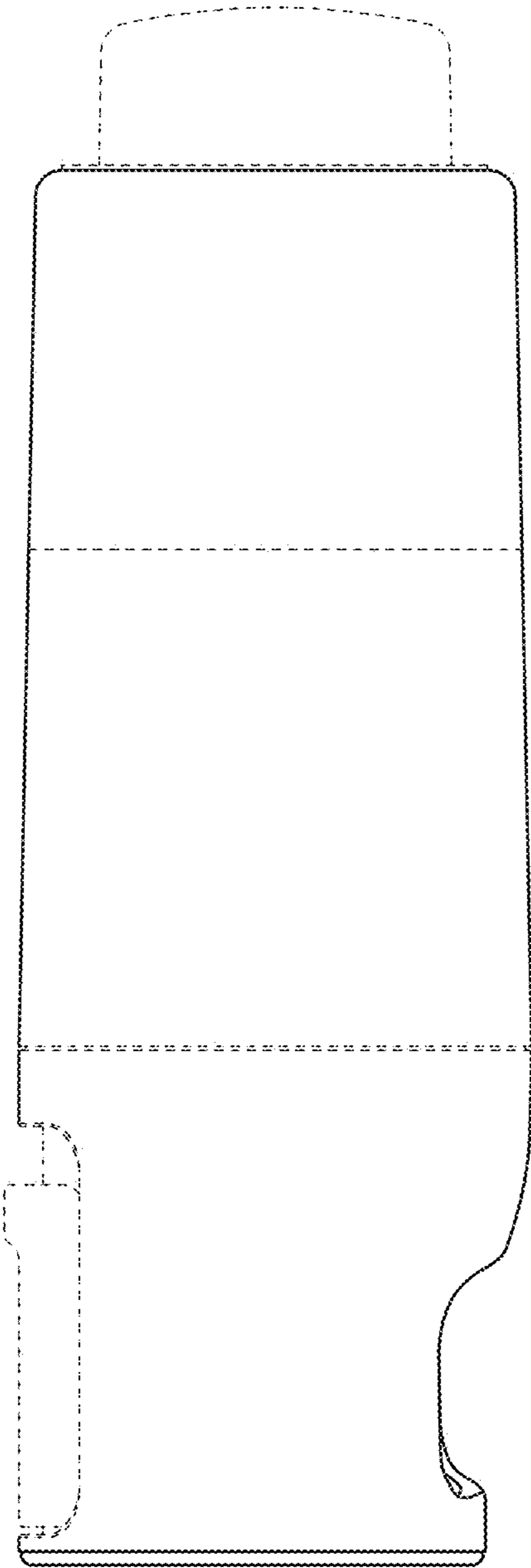


FIG. 4

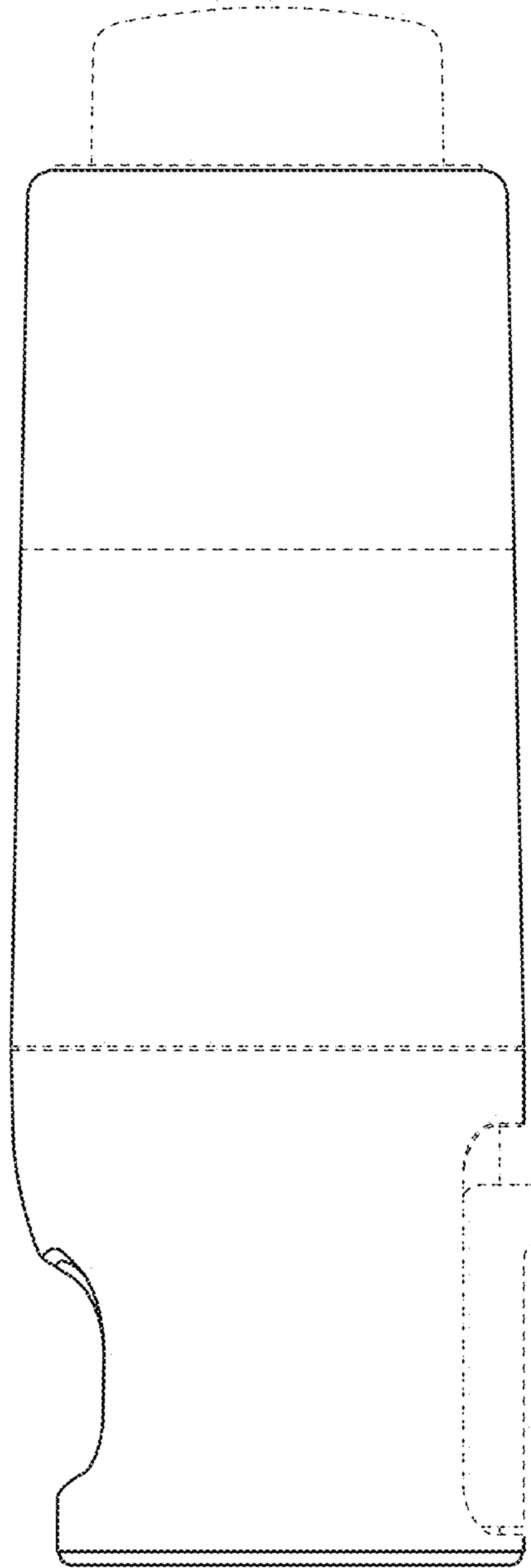


FIG. 5

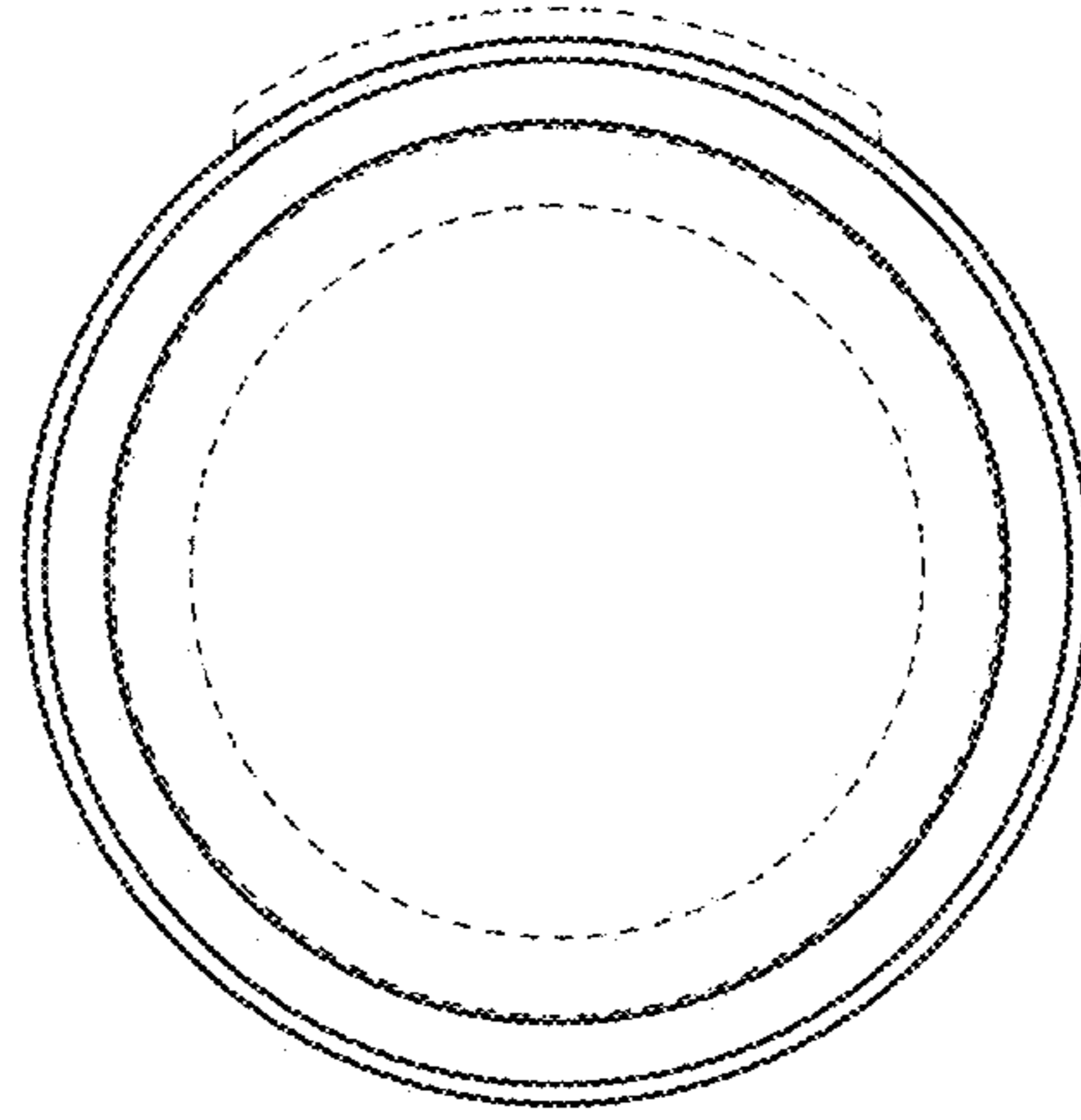


FIG. 6

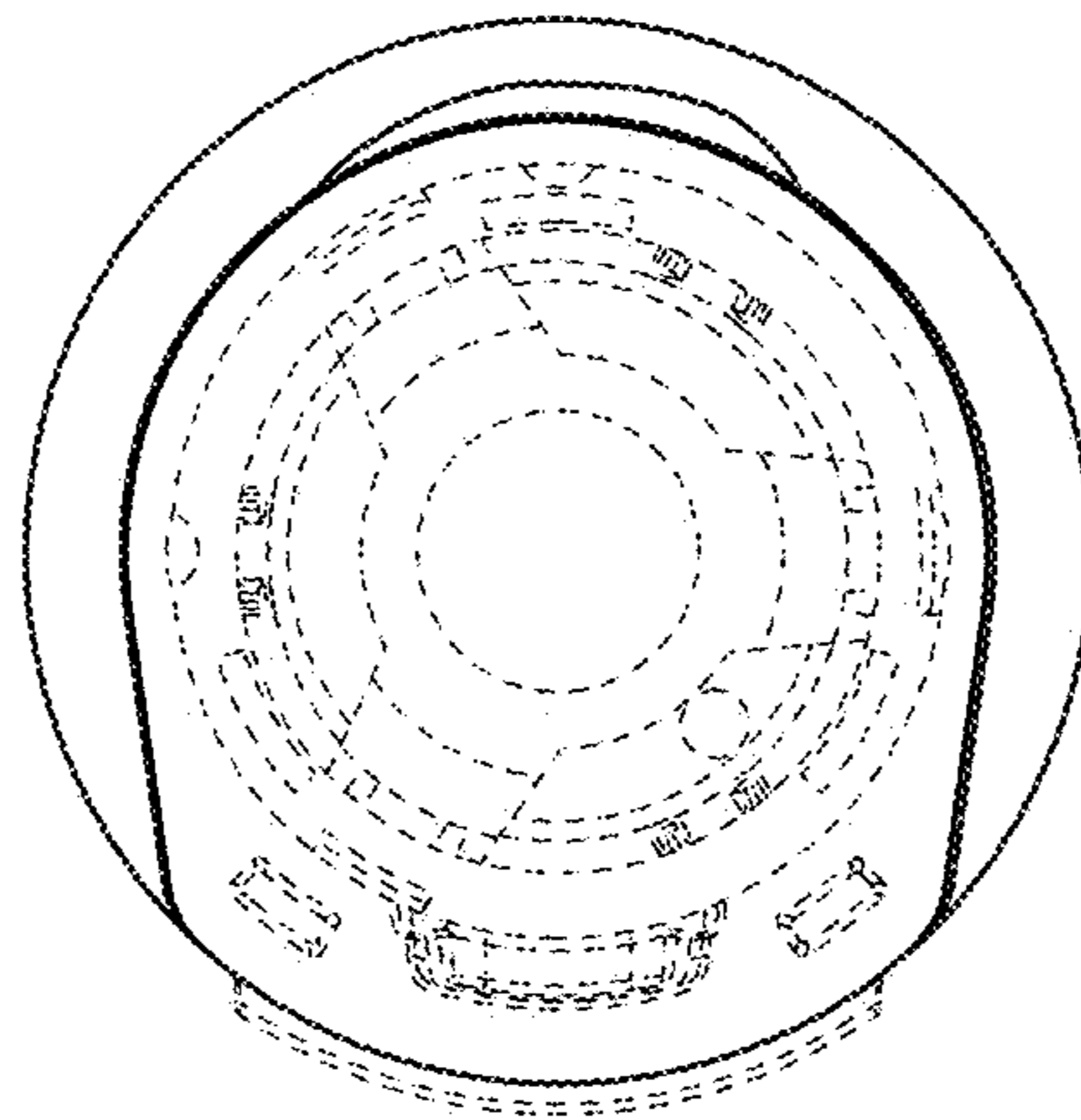


FIG. 7