



US00D955566S

(12) **United States Design Patent**  
**Gregory et al.**

(10) **Patent No.:** **US D955,566 S**  
(45) **Date of Patent:** **\*\* Jun. 21, 2022**

(54) **MEDICAMENT DELIVERY DEVICE**

D699,855 S \* 2/2014 Netzel ..... D24/188  
8,708,957 B2 4/2014 Jespersen et al.  
9,101,706 B2 8/2015 Gonnelli et al.

(71) Applicant: **Zealand Pharma A/S**, Søborg (DK)

(Continued)

(72) Inventors: **Christopher Gregory**, Hopkinton, MA (US); **Geoffrey Jenkins**, Dartmouth, MA (US); **Matthew Johnson**, Boylston, MA (US)

FOREIGN PATENT DOCUMENTS

WO 2016029758 A1 3/2016  
WO 2016041867 A1 3/2016

(Continued)

(73) Assignee: **ZEALAND PHARMA A/S**, Søborg (DK)

OTHER PUBLICATIONS

(\*\*) Term: **15 Years**

[Evolution of an On-Body Bolus Injector: From Drug-Specific Device to Platform], available in [ondrugdelivery.com](http://ondrugdelivery.com), published Sep. 5, 2019 [online], [site visited Dec. 7, 2021], Internet URL: <<https://ondrugdelivery.com/evolution-of-an-on-body-bolus-injector-from-drug-specific-device-to-platform-technology/>>. (Year: 2019).\*

(Continued)

(21) Appl. No.: **29/740,199**

(22) Filed: **Jul. 1, 2020**

(51) **LOC (13) Cl.** ..... **24-02**

(52) **U.S. Cl.**  
USPC ..... **D24/113**

(58) **Field of Classification Search**  
USPC ..... D24/108, 112–114, 127, 130, 133, 186;  
604/181, 184, 187, 227, 264, 272;  
606/181, 185  
CPC ..... A61M 5/178; A61M 5/20; A61M 5/31;  
A61M 5/3146; A61M 5/3129; A61M  
5/3148; A61M 5/315; A61M 3/00

See application file for complete search history.

*Primary Examiner* — Jonathan J Han  
*Assistant Examiner* — Amanda J Berlinski  
(74) *Attorney, Agent, or Firm* — Morgan, Lewis & Bockius LLP

(57) **CLAIM**

The ornamental design for a medicament delivery device, as shown and described.

**DESCRIPTION**

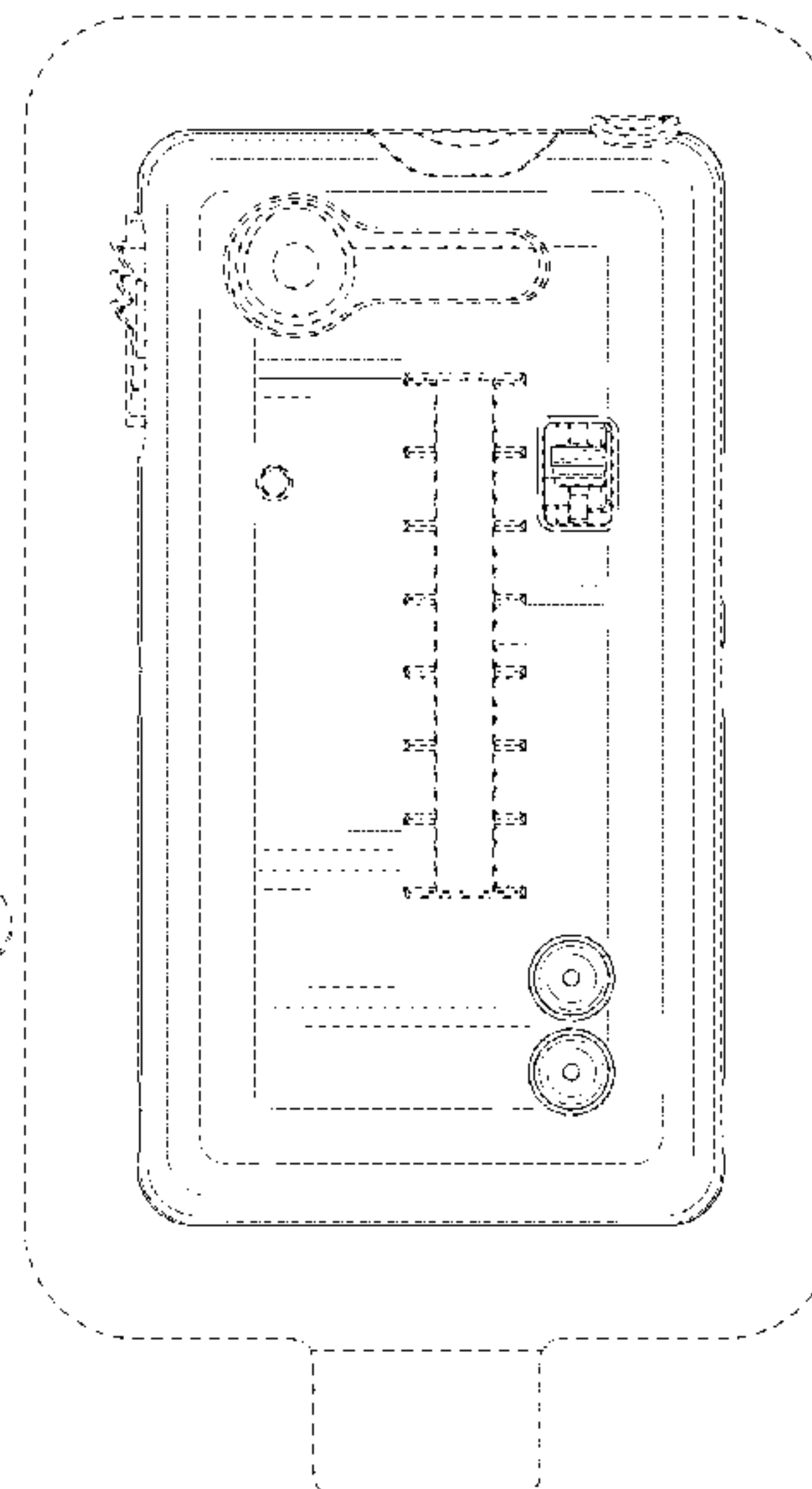
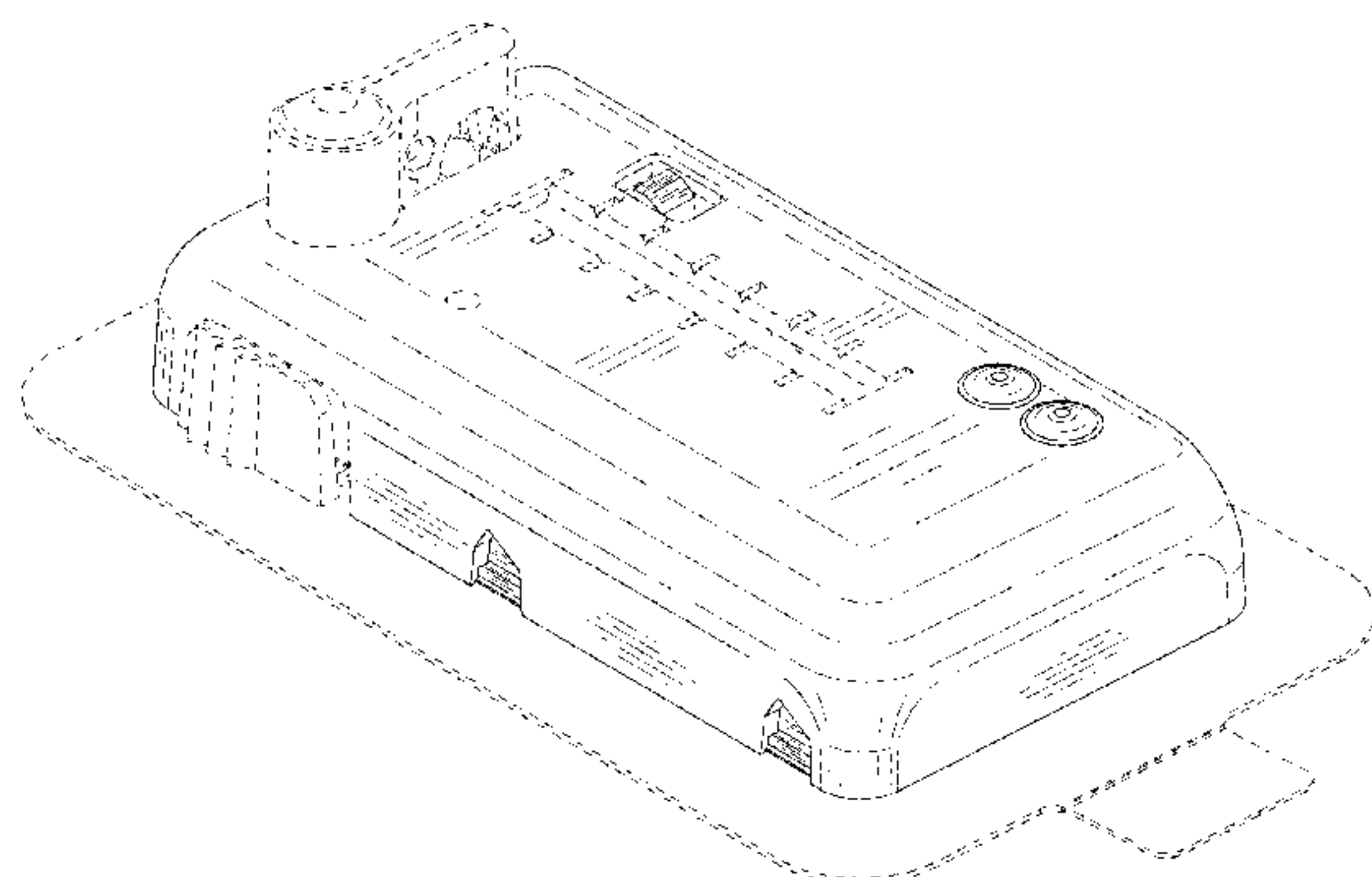
FIG. 1 is a front perspective view of a medicament delivery device showing our new design;  
FIG. 2 is a front elevational view thereof;  
FIG. 3 is a rear elevational view thereof;  
FIG. 4 is a left-side elevational view thereof;  
FIG. 5 is a right-side elevational view thereof;  
FIG. 6 is a top plan view thereof; and,  
FIG. 7 is a bottom plan view thereof.  
The broken lines illustrate structure or features of the medicament delivery device that form no part of the claimed design.

(56) **References Cited**

U.S. PATENT DOCUMENTS

D271,422 S \* 11/1983 Breland ..... D24/112  
D297,667 S \* 9/1988 Wagle ..... D24/119  
5,957,895 A \* 9/1999 Sage ..... A61M 5/14586  
604/181  
D584,141 S \* 1/2009 Smith ..... D9/414  
D588,274 S \* 3/2009 Dent ..... D24/189  
8,231,577 B2 \* 7/2012 Carter ..... A61M 5/14216  
604/136  
D685,083 S \* 6/2013 Schneider ..... D24/108

**1 Claim, 5 Drawing Sheets**



(56)

References Cited

U.S. PATENT DOCUMENTS

D805,631 S \* 12/2017 Hwang ..... D24/112  
 D811,583 S \* 2/2018 Cabiri ..... A61M 5/158  
 D812,738 S \* 3/2018 Wolford ..... D24/111  
 D813,380 S \* 3/2018 Stonecipher ..... D24/113  
 D822,197 S \* 7/2018 Stonecipher ..... D24/112  
 D835,261 S \* 12/2018 Oakes ..... D24/111  
 D838,359 S \* 1/2019 Boyaval ..... D24/112  
 10,279,106 B1 \* 5/2019 Cook ..... G01N 33/558  
 D878,553 S \* 3/2020 Hwang ..... D24/112  
 D878,559 S \* 3/2020 Stonecipher ..... A61M 5/32  
 D882,760 S \* 4/2020 Katz ..... A61M 5/14248  
 D882,765 S \* 4/2020 Farris ..... G01N 33/558  
 10,881,811 B2 \* 1/2021 Koch ..... A61M 5/3204  
 D914,200 S \* 3/2021 Gregory ..... G16H 20/17  
 D924,390 S \* 7/2021 Kolenda ..... D24/111  
 D931,468 S \* 9/2021 Huang ..... D24/186  
 11,191,895 B2 \* 12/2021 Weibel ..... A61M 5/1456  
 2002/0169439 A1 11/2002 Flaherty  
 2011/0306929 A1 \* 12/2011 Levesque ..... A61M 5/14248  
 2012/0109066 A1 \* 5/2012 Chase ..... A61M 5/14248

2016/0082182 A1 \* 3/2016 Gregory ..... A61M 5/288  
 604/150  
 2016/0213856 A1 7/2016 Despa et al.  
 2017/0119969 A1 5/2017 McCullough et al.  
 2018/0193554 A1 \* 7/2018 Meehan ..... A61M 5/14248  
 2019/0091404 A1 \* 3/2019 Nazzaro ..... A61M 5/2033  
 2019/0192765 A1 \* 6/2019 Kim ..... A61M 5/14244  
 2019/0282737 A1 \* 9/2019 Beadle ..... A61M 1/962  
 2019/0381238 A1 \* 12/2019 Stonecipher ..... A61M 5/1413  
 2020/0155757 A1 \* 5/2020 Gregory ..... A61M 5/32  
 2020/0261643 A1 \* 8/2020 Boyaval ..... A61M 5/14248  
 2020/0261648 A1 \* 8/2020 Groszmann ..... A61M 5/1723  
 2021/0316066 A1 \* 10/2021 Kim ..... A61M 5/14248

FOREIGN PATENT DOCUMENTS

WO 2017071983 A1 5/2017  
 WO 2019014588 A1 1/2019

OTHER PUBLICATIONS

[Wearable Injectors], available on [issuu.com](https://www.issuu.com/ondrugdelivery), ONdrugDelivery Issue 78, Published [Sep. 2017] [online], [site visited Dec. 13, 2021], Internet URL: <[https://issuu.com/guyfurness/docs/wearable\\_injectors\\_-\\_ondrugdelivery\\_e005c11de32142](https://issuu.com/guyfurness/docs/wearable_injectors_-_ondrugdelivery_e005c11de32142)>. (Year: 2017).\*  
 International Search Report dated Nov. 14, 2018 for International PCT Patent Application No. PCT/US2018/042079, 4 pages.  
 Written Opinion dated Nov. 14, 2018 for International PCT Patent Application No. PCT/US2018/042079, 7 pages.

\* cited by examiner

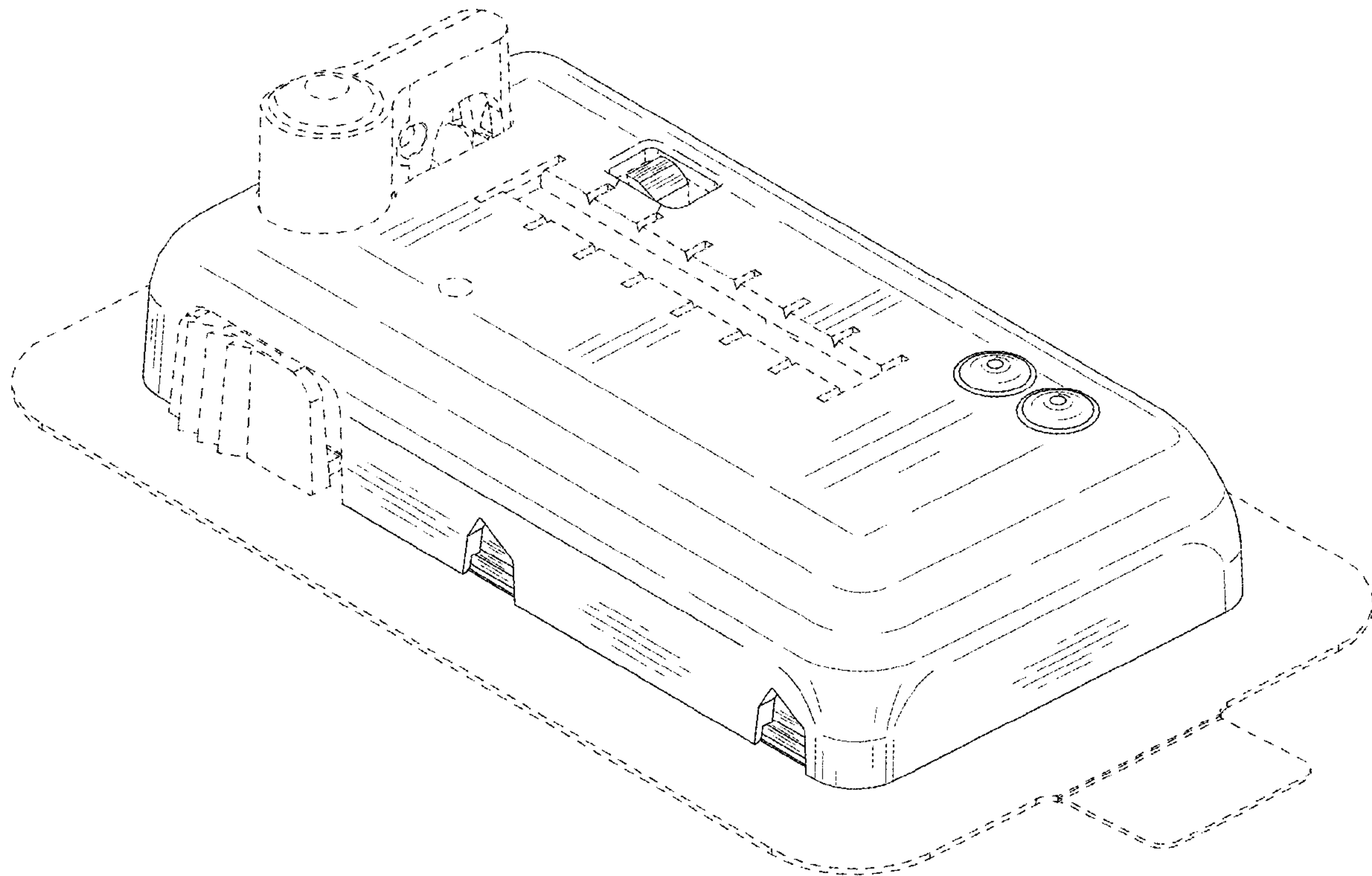


FIG. 1

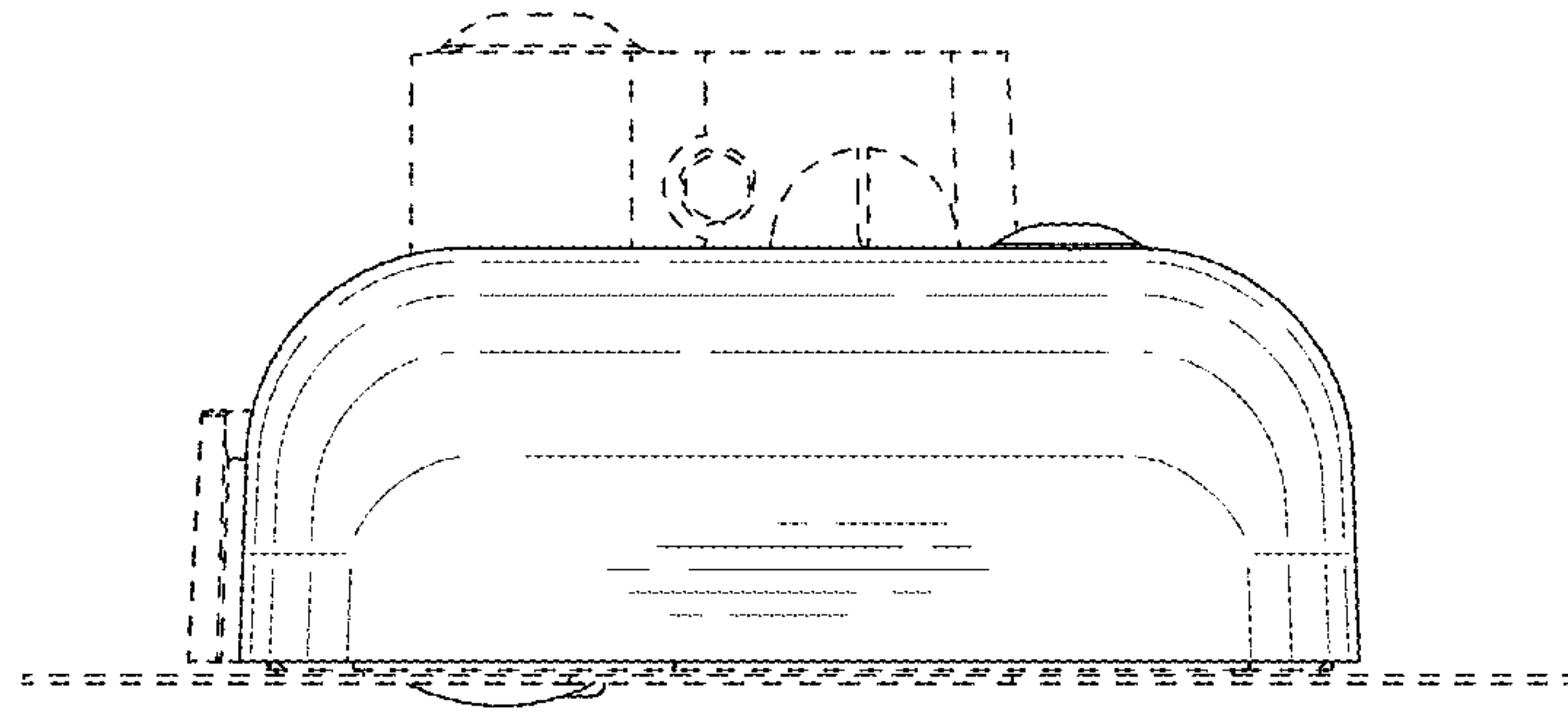


FIG. 2

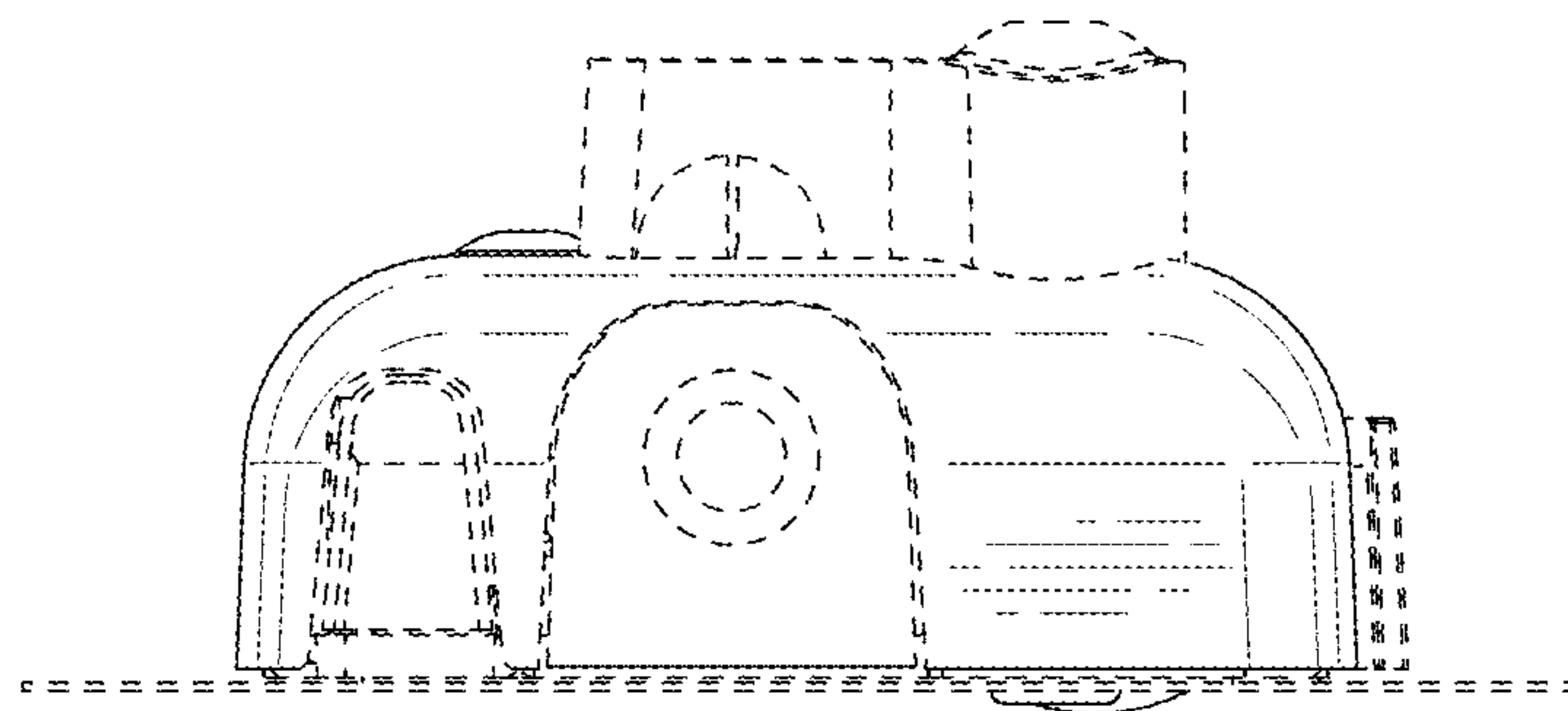


FIG. 3



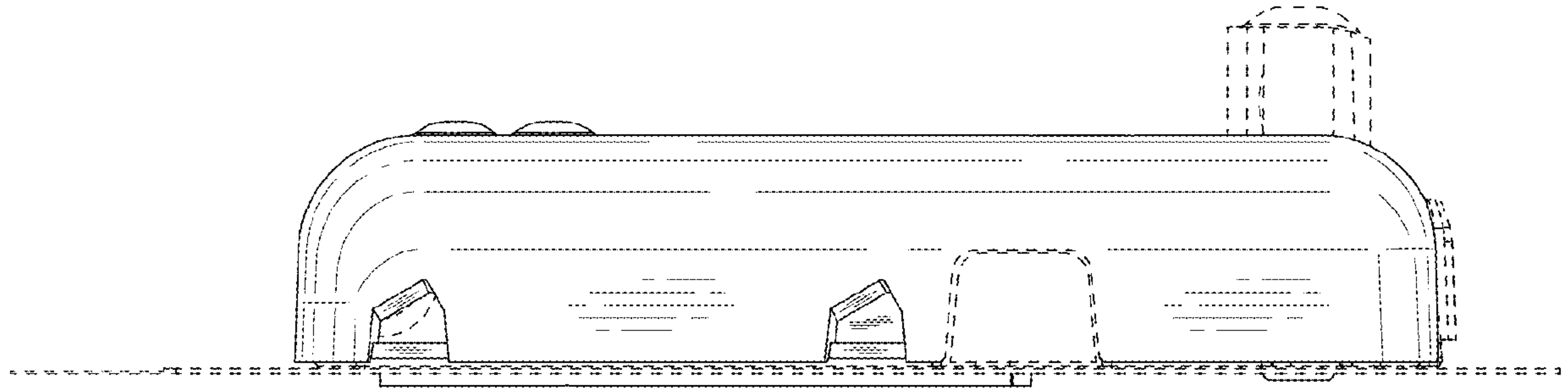


FIG. 4

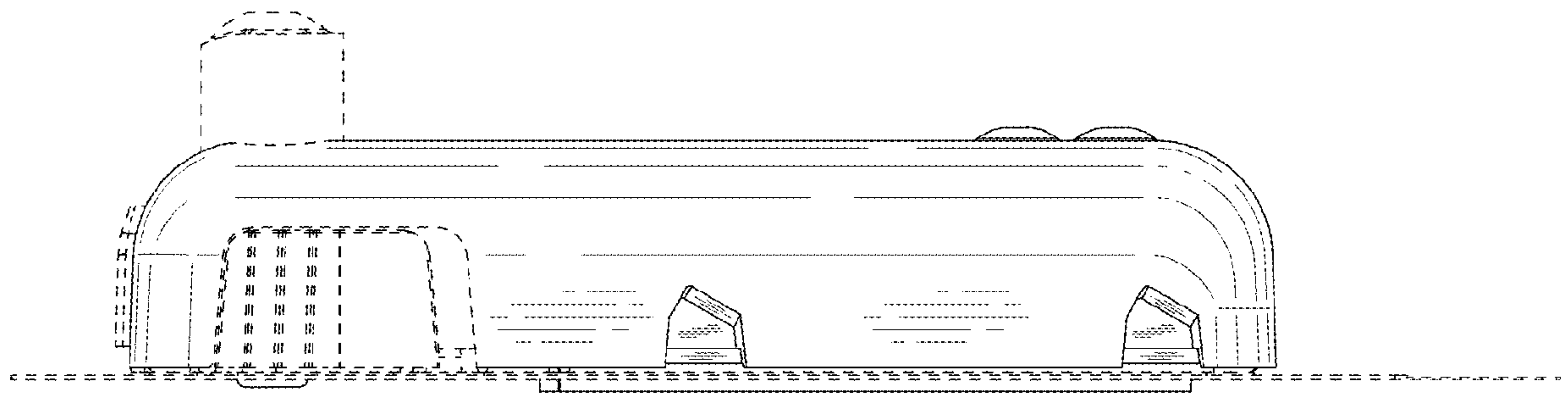


FIG. 5

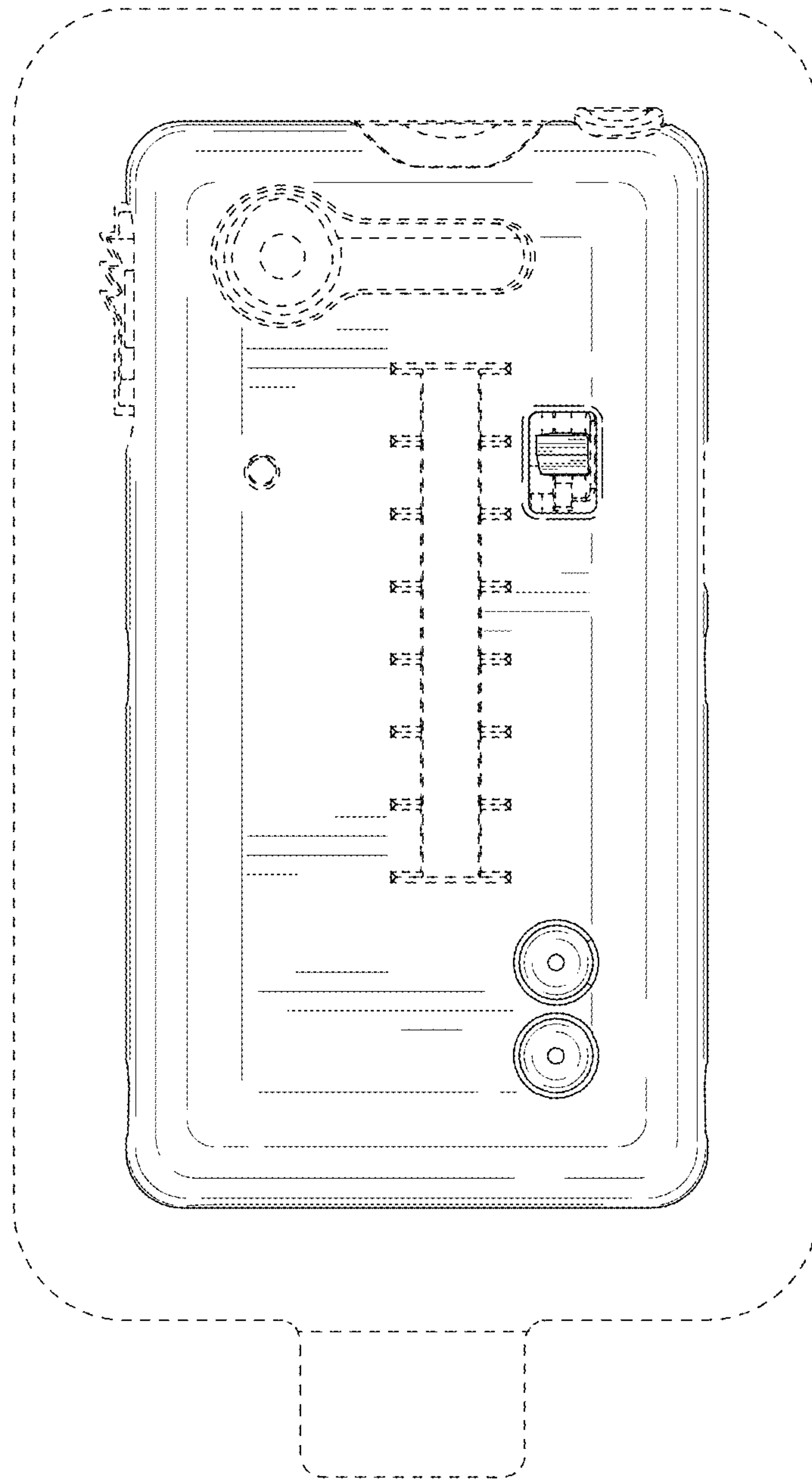


FIG. 6

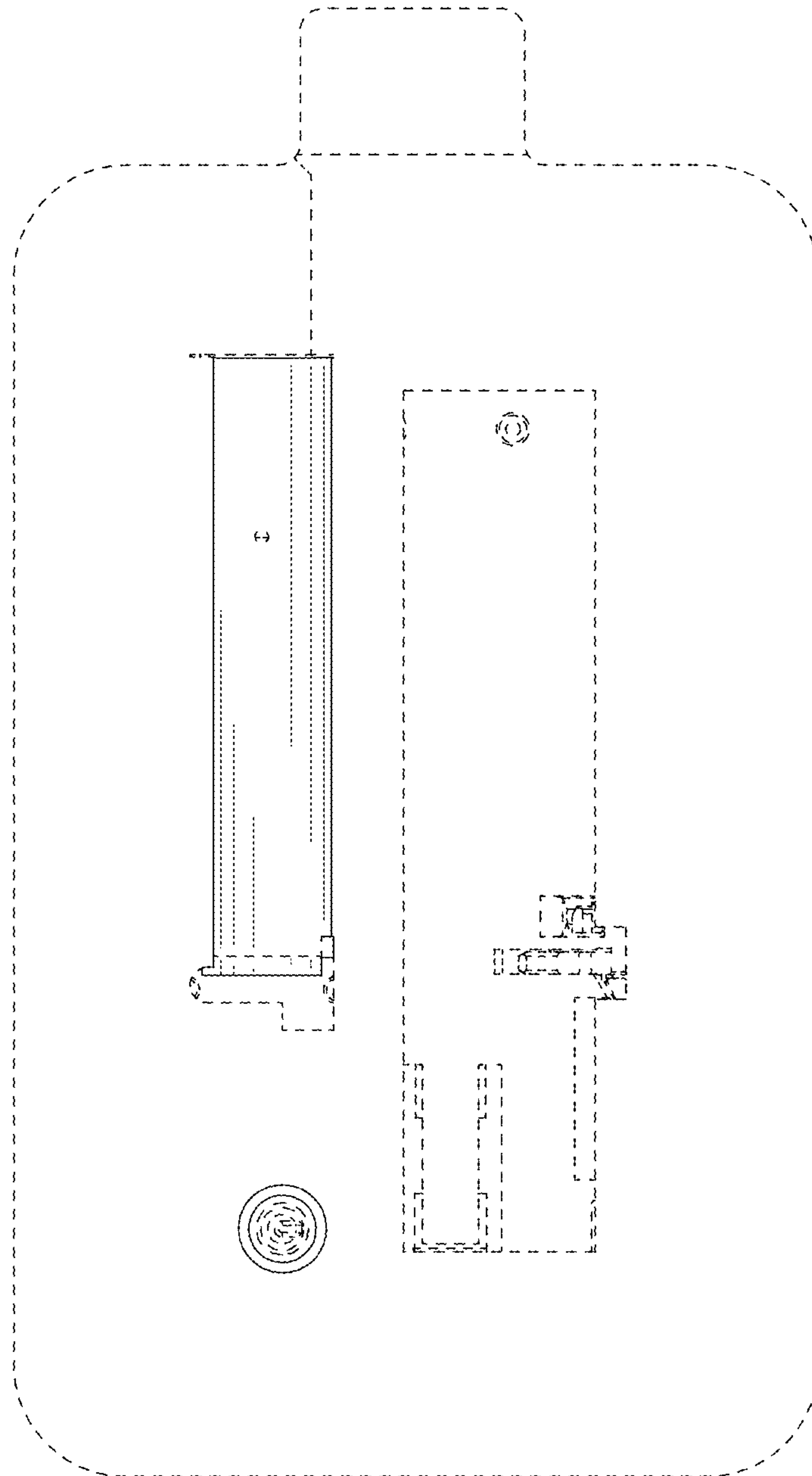


FIG. 7