



US00D955565S

(12) **United States Design Patent**  
**Moleda**

(10) **Patent No.:** **US D955,565 S**  
(45) **Date of Patent:** **\*\* Jun. 21, 2022**

(54) **NEEDLE-BASED DEVICE WITH A SAFETY MECHANISM**

(71) Applicant: **Jaroslav Moleda**, Atlanta, GA (US)  
(72) Inventor: **Jaroslav Moleda**, Atlanta, GA (US)  
(73) Assignee: **MEDIVENA SP. Z O.O.**, Warsaw (PL)  
(\*\*) Term: **15 Years**

(21) Appl. No.: **29/736,288**

(22) Filed: **May 29, 2020**

(51) **LOC (13) Cl.** ..... **24-02**

(52) **U.S. Cl.**  
USPC ..... **D24/112**

(58) **Field of Classification Search**  
USPC ..... D24/104, 107, 108, 112-114, 127, 130,  
D24/133, 186; 604/181, 184, 187, 227,  
604/264, 272; 606/181, 185  
(Continued)

(56) **References Cited**

**U.S. PATENT DOCUMENTS**

6,149,629 A \* 11/2000 Wilson ..... A61M 5/3271  
604/187  
D450,835 S \* 11/2001 Liu ..... D24/112  
(Continued)

**FOREIGN PATENT DOCUMENTS**

EM 008208573-0003 \* 11/2020  
GB 6132131 \* 4/2021

**OTHER PUBLICATIONS**

[ONE-CARE™ Safety Pen Needles], YouTube.com, Posted Mar. 19, 2019 [online], [Site Visited Dec. 15, 2021], URL: <https://www.youtube.com/watch?v=Fgnu4QzWh9Q>. (Year: 2019).\*

(Continued)

*Primary Examiner* — Jonathan J Han  
*Assistant Examiner* — Amanda J Berlinski  
(74) *Attorney, Agent, or Firm* — LegalForce RAPC Worldwide

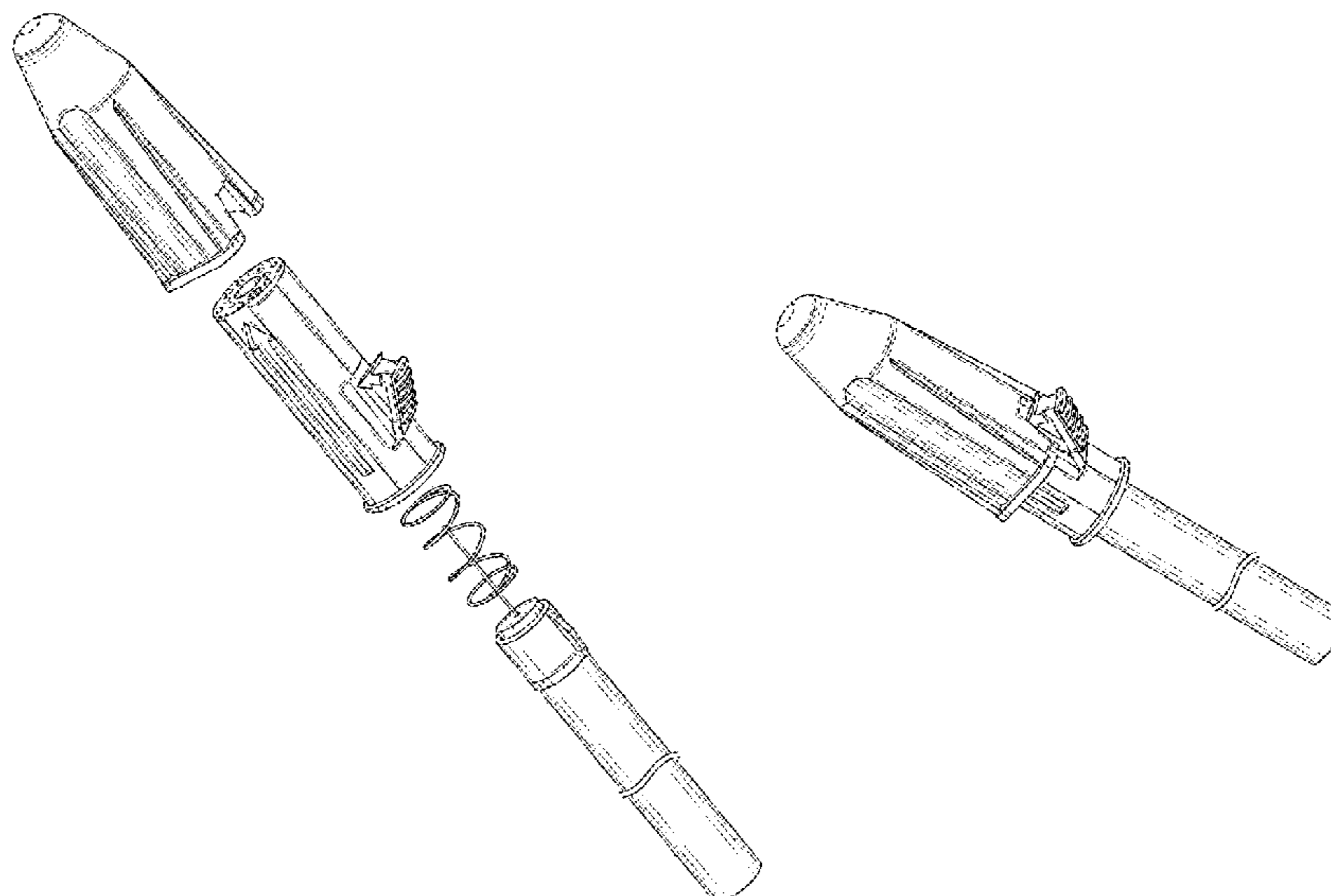
(57) **CLAIM**

The ornamental design for a needle-based device with a safety mechanism, as shown and described.

**DESCRIPTION**

FIG. 1 is an exploded front top-right side perspective view for a needle-based device with a safety mechanism, showing my new design in a disassembled configuration; FIG. 2 is a front elevational view of FIG. 1 thereof; FIG. 3 is a rear elevational view of FIG. 1 thereof; FIG. 4 is a left side elevational view of FIG. 1 thereof; FIG. 5 is a right side elevational view of FIG. 1 thereof; FIG. 6 is a front top-right side perspective view of a needle-based device with a safety mechanism of FIG. 1 thereof, in an assembled configuration; FIG. 7 is a front elevational view of FIG. 6 thereof; FIG. 8 is a rear elevational view of FIG. 6 thereof; FIG. 9 is a left side elevational view of FIG. 6 thereof, the right side elevational view being a mirror image; FIG. 10 is a top plan view of FIG. 6 thereof; FIG. 11 is a bottom plan view of FIG. 6 thereof; FIG. 12 is a front top-right side perspective view of a needle-based device with a safety mechanism of FIG. 6 without the outer cover thereof; FIG. 13 is a left side elevational view of FIG. 12 thereof, the right side elevational view being a mirror image; and, FIG. 14 is a top plan view of FIG. 12 thereof. The needle-based device with a safety mechanism is shown with a symbolic break in length. Any portions not shown between the break lines form no part of the claimed design. The broken lines indicate portions of the needle-based device with a safety mechanism that form no part of the claimed design.

**1 Claim, 13 Drawing Sheets**



(58) **Field of Classification Search**  
 CPC ..... A61M 5/178; A61M 3/00; A61M 5/20;  
 A61M 5/31; A61M 5/3146; A61M  
 5/3129; A61M 5/3148; A61M 5/315  
 See application file for complete search history.

(56) **References Cited**

U.S. PATENT DOCUMENTS

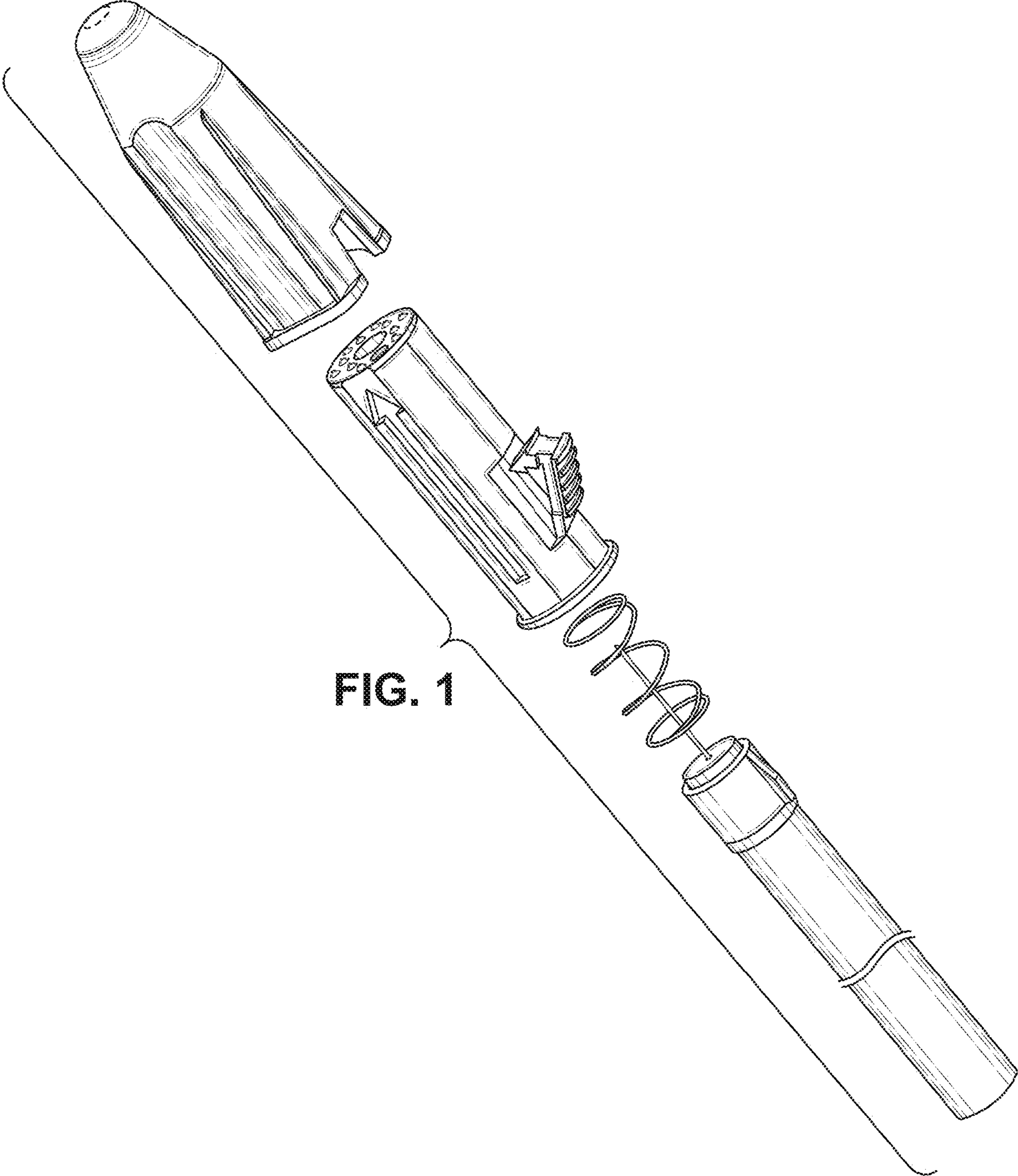
D455,830 S 4/2002 Hommann et al.  
 D461,555 S 8/2002 Binet et al.  
 D530,746 S \* 10/2006 Gerules ..... D19/177  
 D613,398 S 4/2010 Crawford et al.  
 D622,374 S 8/2010 Julian et al.  
 D676,547 S \* 2/2013 Quinn ..... D24/113  
 D676,548 S \* 2/2013 Pala ..... D24/113  
 8,617,119 B2 \* 12/2013 Liversidge ..... A61M 5/326  
 604/192  
 D746,442 S 12/2015 Wollbold et al.  
 D752,737 S \* 3/2016 Ohashi ..... D24/112  
 D758,566 S \* 6/2016 Chen ..... D24/113  
 D776,261 S \* 1/2017 Jones ..... D24/113  
 D785,162 S 4/2017 Swisher et al.  
 D792,579 S 7/2017 Ohashi et al.  
 9,737,668 B2 \* 8/2017 Holmqvist ..... A61M 5/3202  
 D802,748 S 11/2017 Mills et al.  
 D802,750 S \* 11/2017 Jones ..... D24/113  
 D806,230 S \* 12/2017 Johnson ..... D24/112  
 D813,377 S 3/2018 Mills et al.  
 D815,732 S 4/2018 Mills et al.  
 D844,774 S \* 4/2019 Akcay ..... A61B 5/150732  
 D24/112  
 D844,777 S 4/2019 Combes et al.  
 D846,737 S 4/2019 Karasawa  
 D848,618 S 5/2019 Großer et al.  
 D851,755 S \* 6/2019 Nazzaro ..... A61M 5/2033  
 D24/114  
 D867,583 S 11/2019 Yang et al.  
 D869,647 S \* 12/2019 Dorsey ..... A61F 9/0017  
 D24/112  
 D870,270 S \* 12/2019 Burkett ..... A61M 5/31525  
 D24/112  
 D877,895 S \* 3/2020 Sanders ..... A61M 5/31561  
 D24/114  
 D878,567 S \* 3/2020 Jansen ..... A61M 5/326  
 D24/113  
 D880,692 S 4/2020 Momose et al.

D885,561 S \* 5/2020 Jones ..... A61M 5/3272  
 D24/113  
 D903,100 S \* 11/2020 Stats ..... A61M 5/3271  
 D24/112  
 D908,867 S \* 1/2021 Nicholas ..... D24/113  
 2006/0047250 A1 \* 3/2006 Hickingbotham .... A61F 9/0017  
 604/187  
 2006/0069350 A1 \* 3/2006 Buenger ..... A61M 5/326  
 604/135  
 2008/0103453 A1 \* 5/2008 Liversidge ..... A61M 5/326  
 604/187  
 2013/0035642 A1 \* 2/2013 Daniel ..... A61M 5/31515  
 604/189  
 2014/0236100 A1 \* 8/2014 Ward ..... A61M 5/3272  
 604/263  
 2015/0190582 A1 \* 7/2015 Holmqvist ..... A61M 5/31525  
 604/189  
 2017/0368259 A1 \* 12/2017 Olson ..... A61M 5/2033  
 2018/0161523 A1 \* 6/2018 Sanders ..... A61M 5/3243  
 2020/0108211 A1 \* 4/2020 Jacobsen ..... A61M 5/326  
 2020/0188600 A1 \* 6/2020 Enge ..... A61M 5/31561

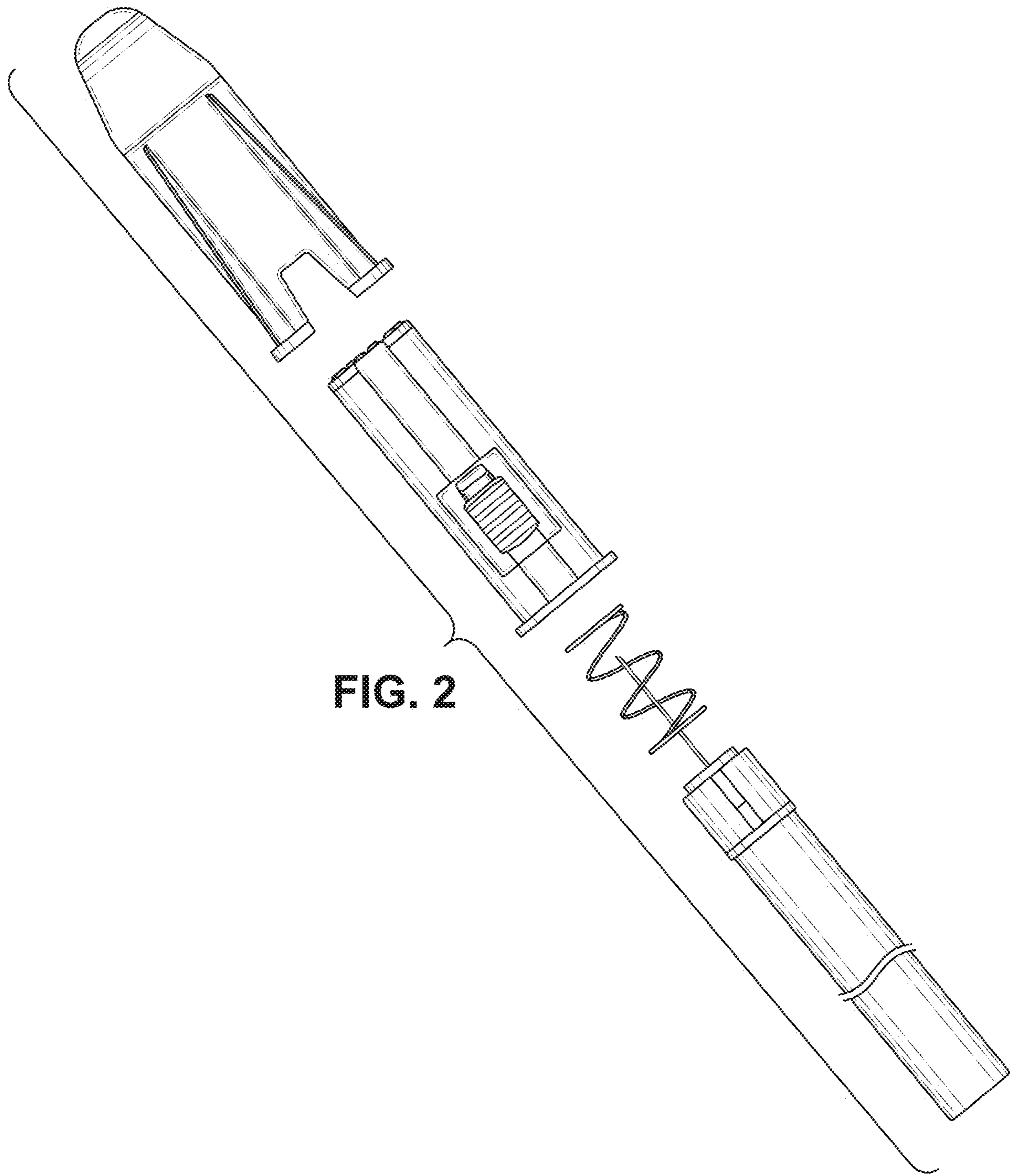
OTHER PUBLICATIONS

US Trademark Serial No. 88739245; Mark—Medivena Inspired By  
 Innovation Filing date: Dec. 26, 2019 Publication date: Jun. 23,  
 2020.  
 US Trademark Serial No. 88267775; Mark—ONE-CARE Filing  
 date: Jan. 18, 2019 Publication date: May 14, 2019.  
 US Trademark Serial No. 88739243; Mark—MEDI-FINE Filing  
 date: Dec. 26, 2019 Publication date: May 5, 2020.  
 US Trademark Serial No. 88793876; Mark—GLUCO-CARE Filing  
 date: Feb. 12, 2020.  
 “Pen Injectors” by Medivena Inspired By Innovation, Found Online  
 on Jul. 30, 2020 <https://rb.gy/prww29>.  
 “An introduction to needlestick protection and safety syringes” by  
 Springboard, Published Online on Jun. 13, 2018 <https://rb.gy/qnns0p>.  
 “Disposable Insulin Injection Pen Safety Needles” by Delfu, Found  
 Online on Jul. 30, 2020 [http://www.delfu-medical.com/photo/pl14421533-disposable\\_insulin\\_injection\\_pen\\_safety\\_needles\\_for\\_3ml\\_cartridge.jpg](http://www.delfu-medical.com/photo/pl14421533-disposable_insulin_injection_pen_safety_needles_for_3ml_cartridge.jpg).  
 “Autoinjector” by SmartJect, Found Online on Jul. 30, 2020 [https://mir-s3-cdn-cf.behance.net/project\\_modules/fs/f0d66965178199.5aeb2bb2c4e91.jpg](https://mir-s3-cdn-cf.behance.net/project_modules/fs/f0d66965178199.5aeb2bb2c4e91.jpg).

\* cited by examiner



**FIG. 1**



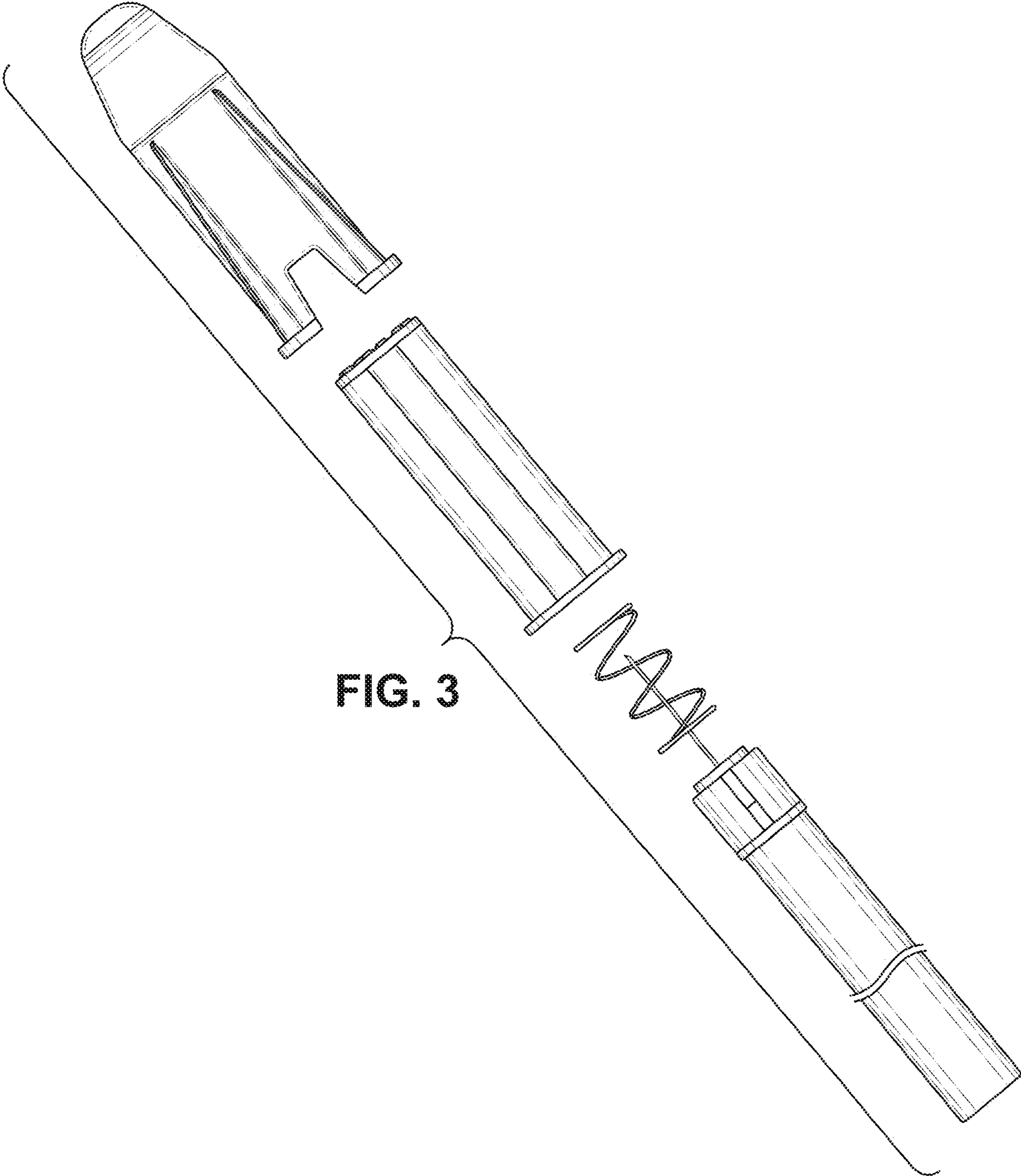


FIG. 3

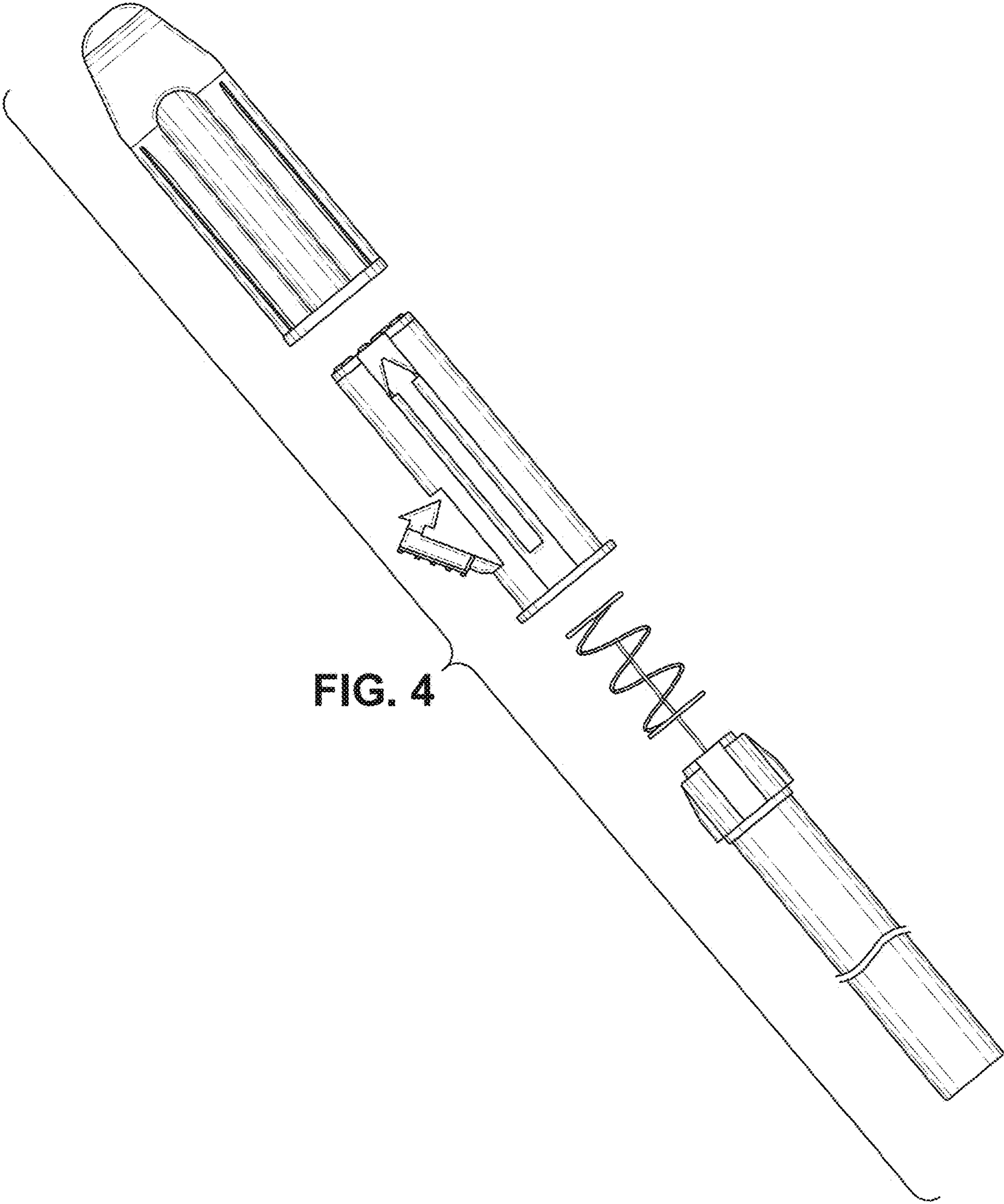


FIG. 4

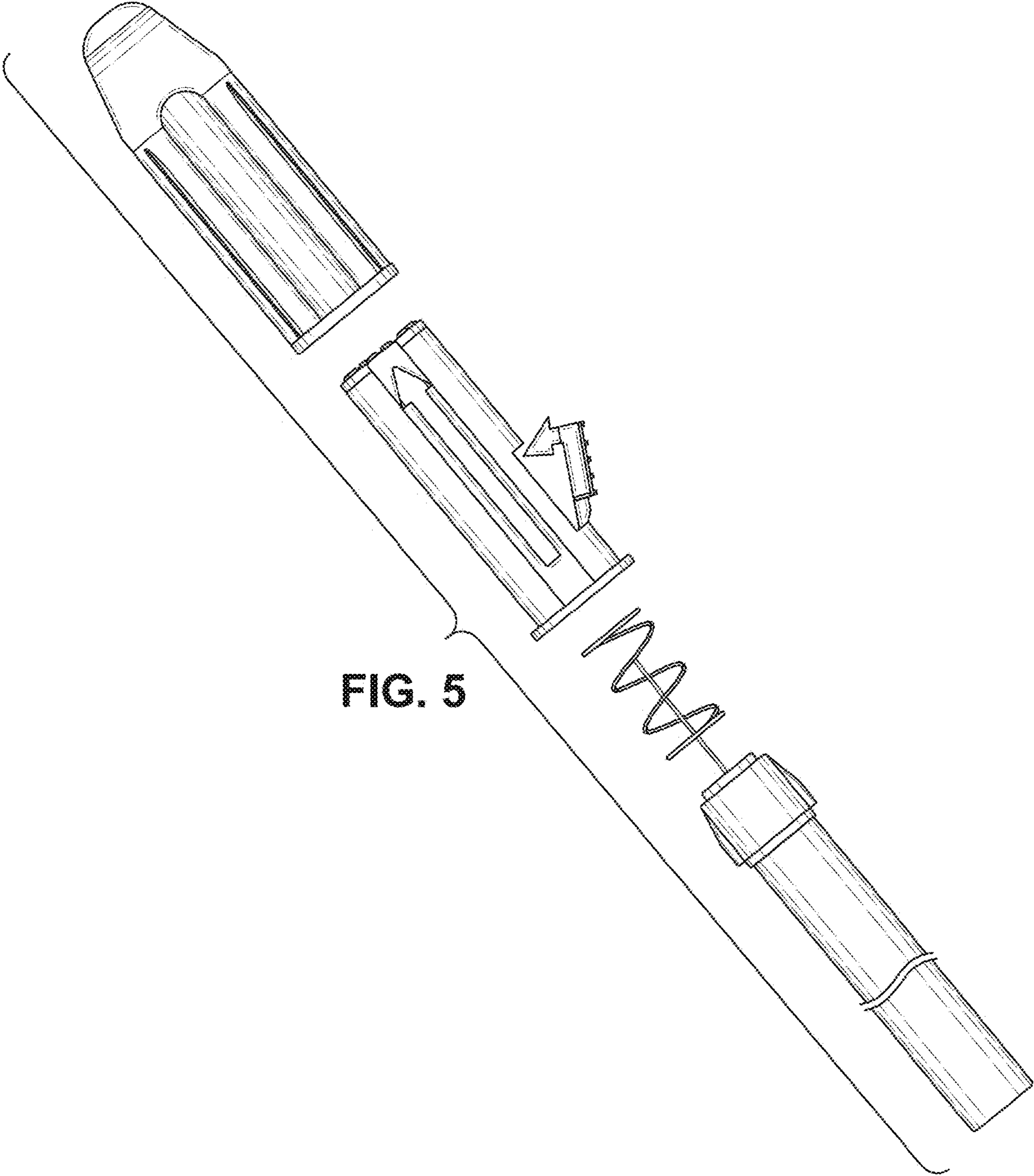


FIG. 5

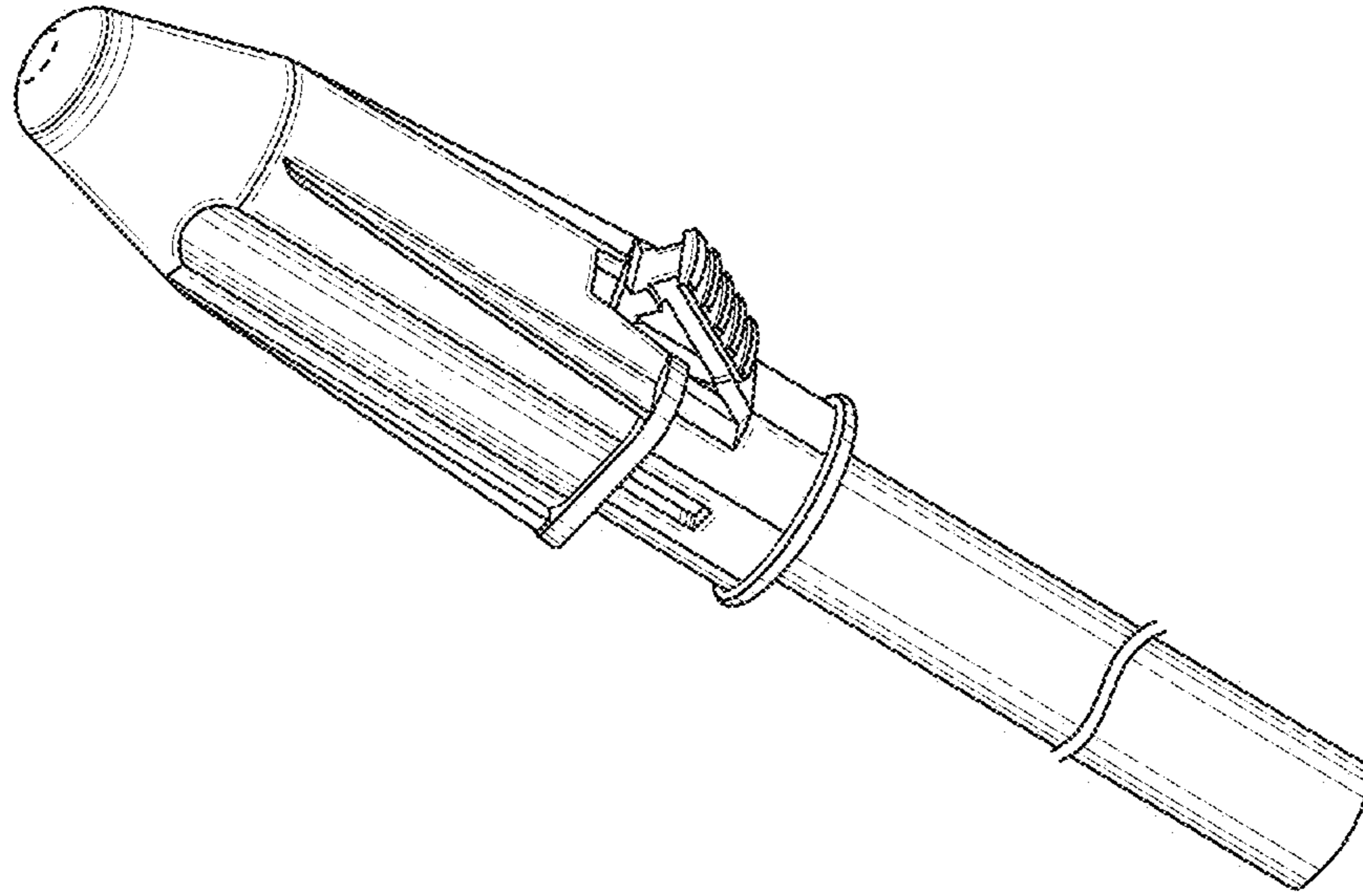


FIG. 6



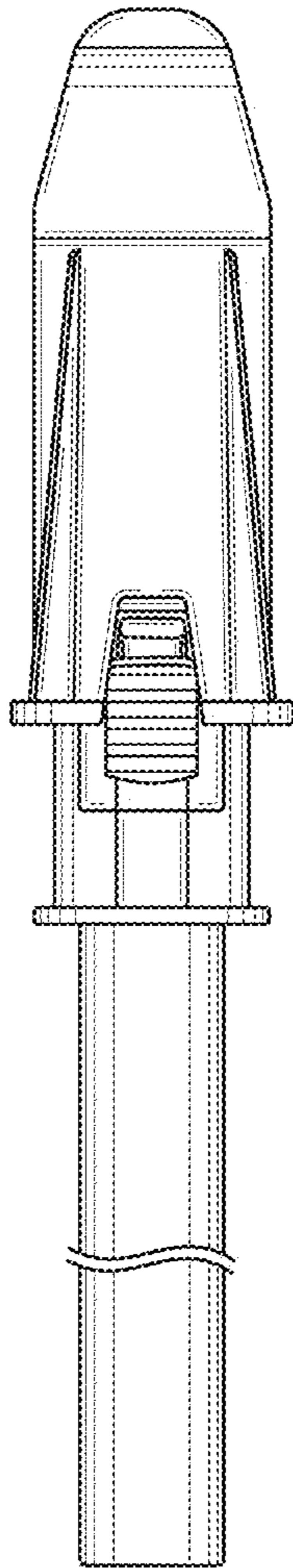


FIG. 7

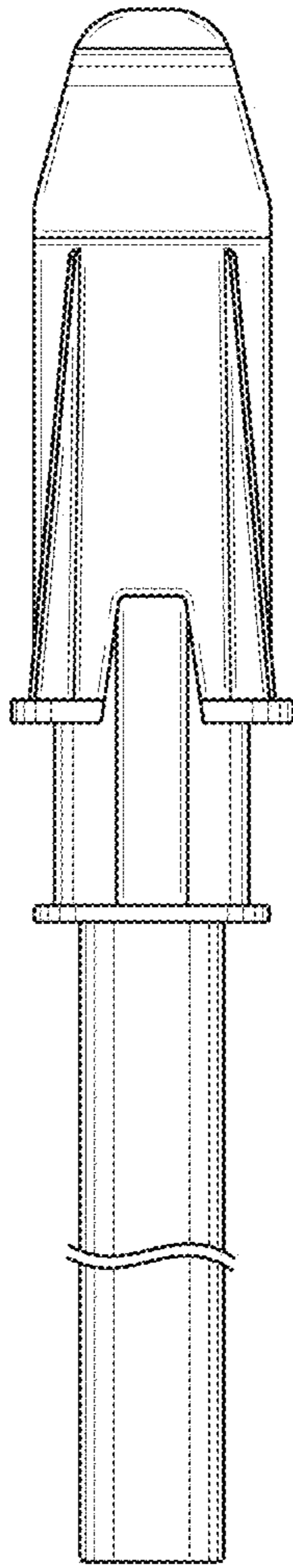


FIG. 8

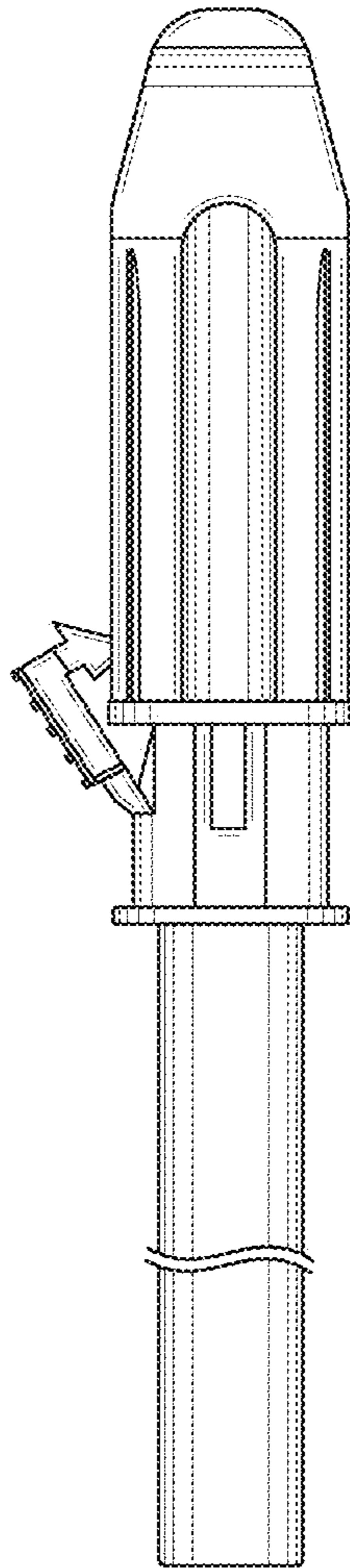
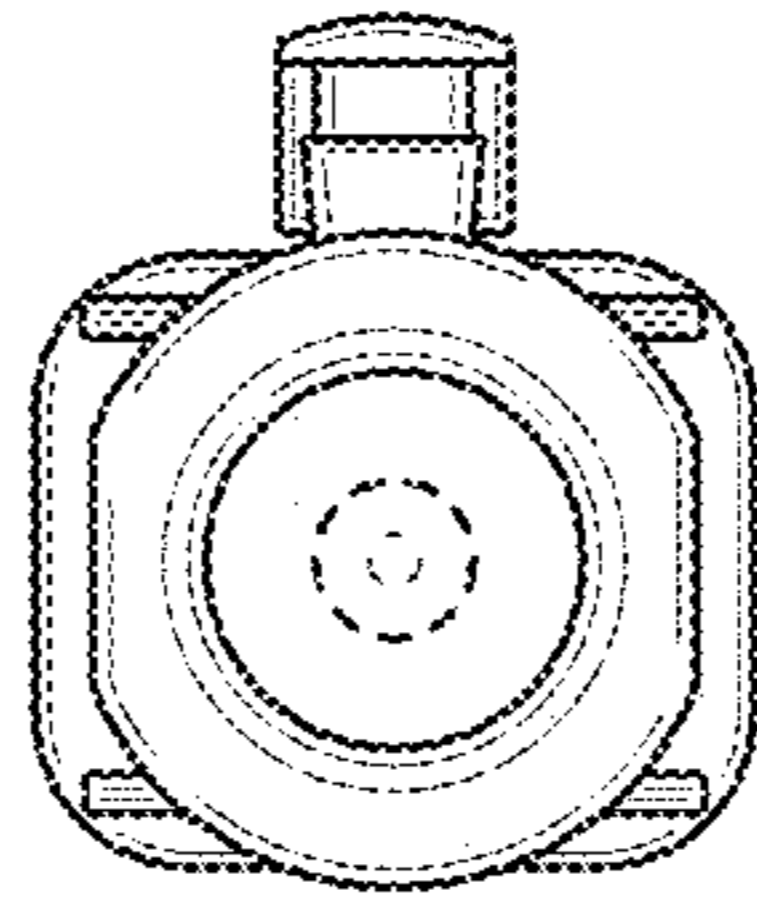
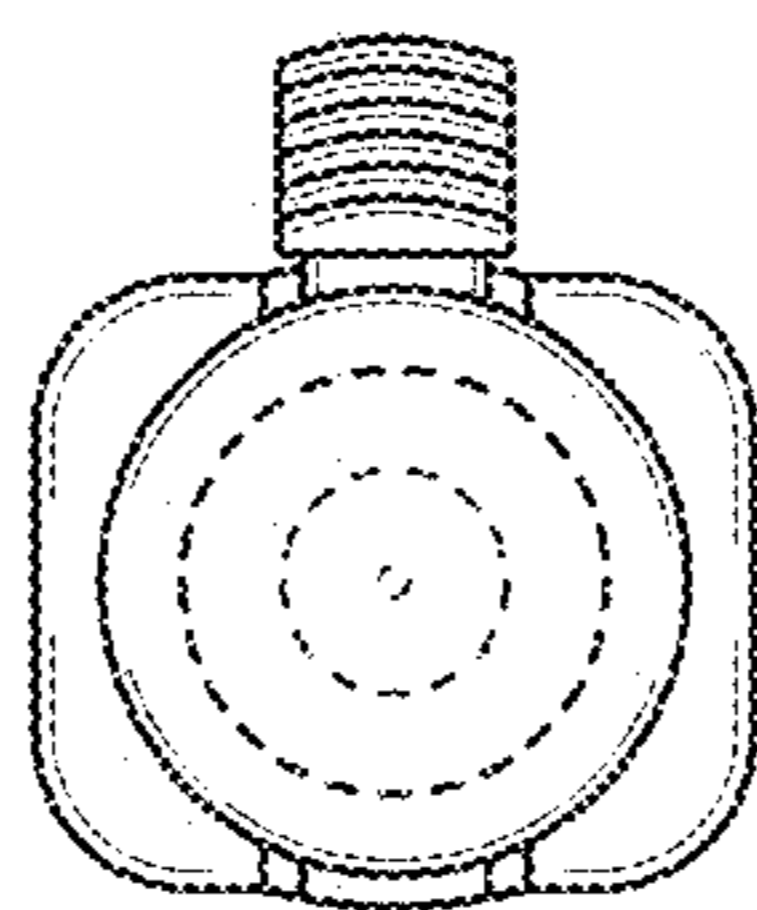


FIG. 9



**FIG. 10**



**FIG. 11**

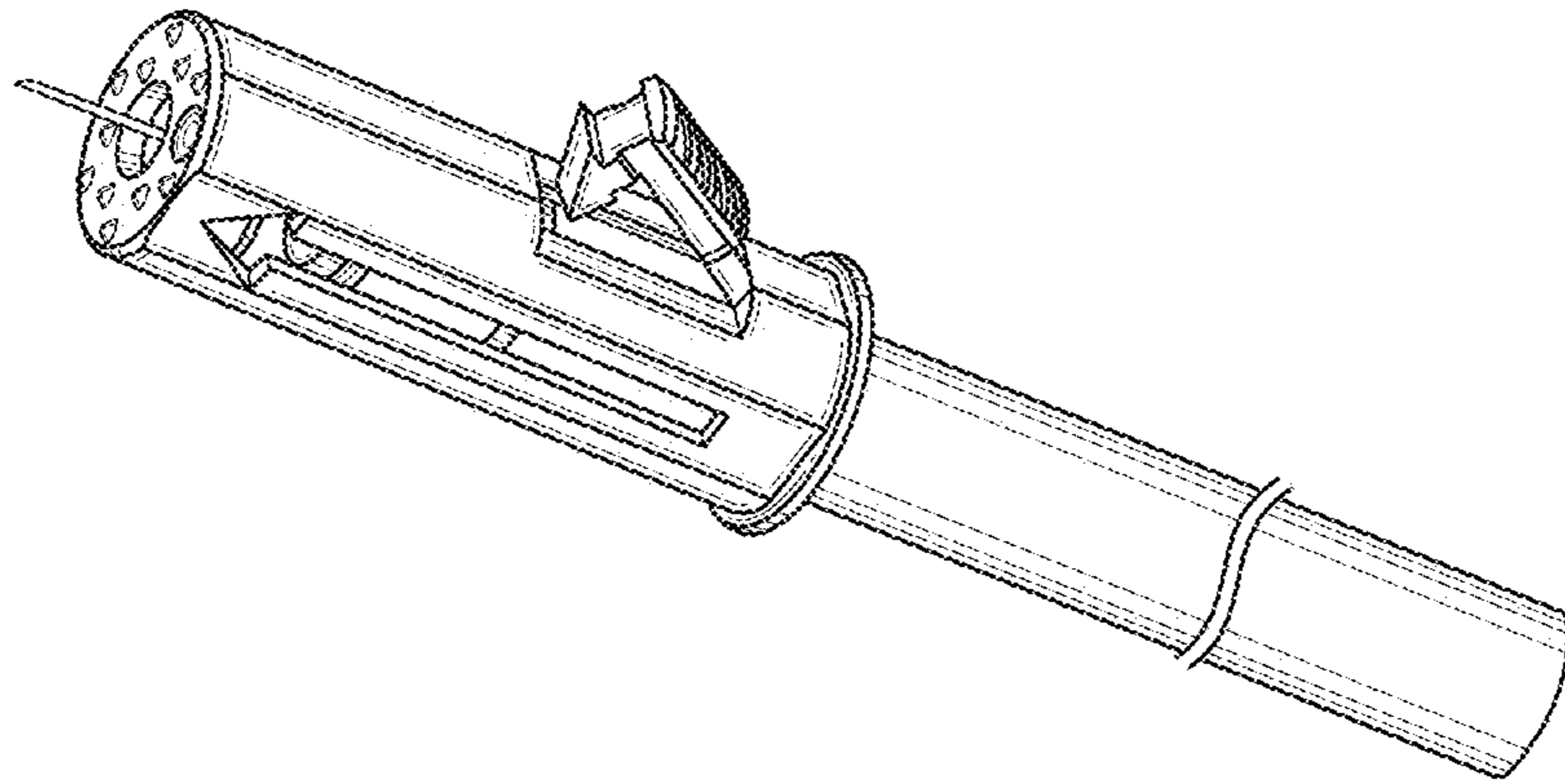


FIG. 12

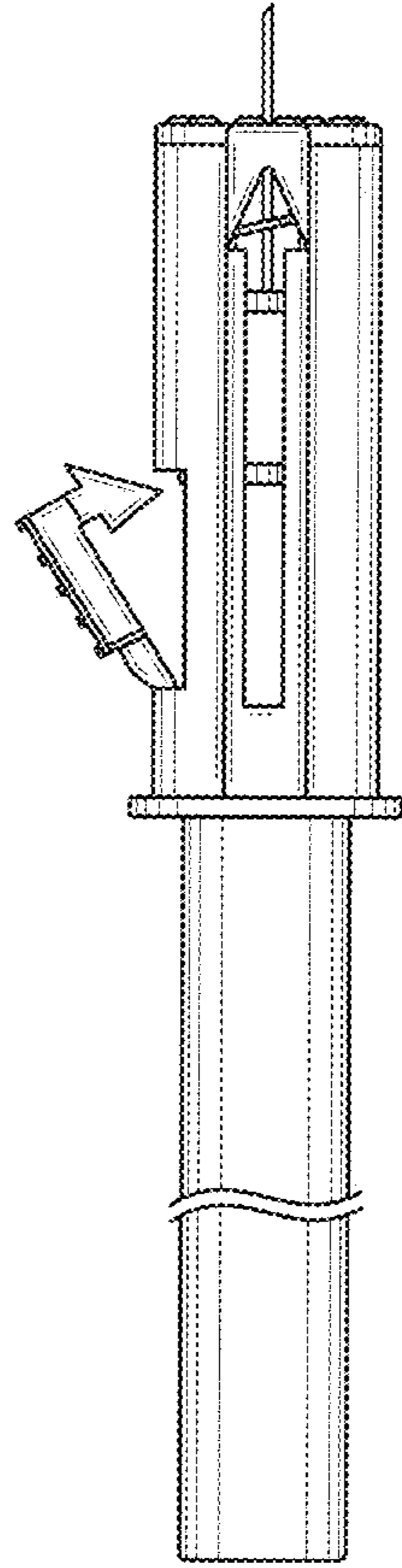


FIG. 13

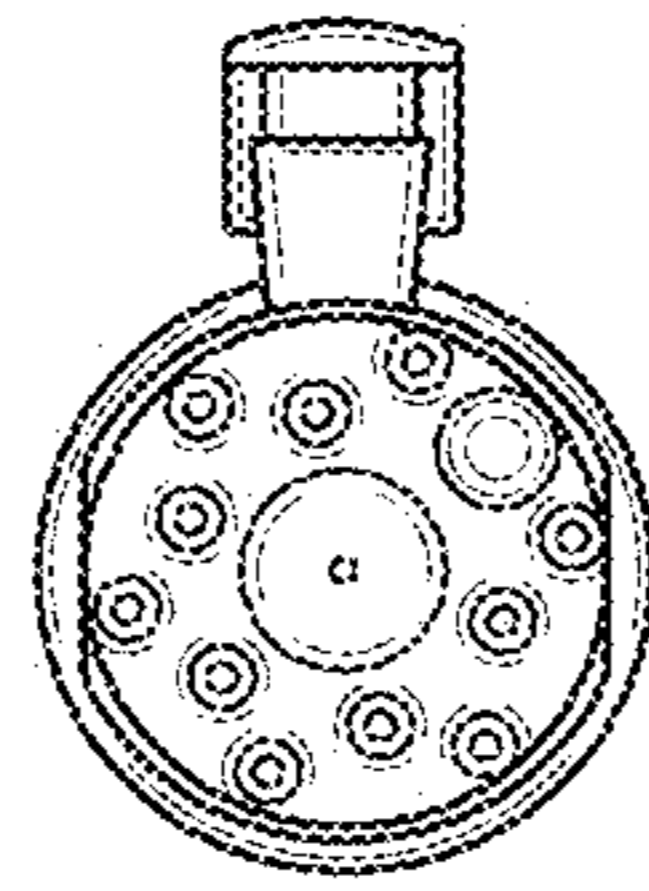


FIG. 14