



US00D955564S

(12) **United States Design Patent**
Boyaval et al.

(10) **Patent No.:** **US D955,564 S**
(45) **Date of Patent:** **** Jun. 21, 2022**

(54) **WEARABLE DRUG DELIVERY DEVICE**

(71) Applicant: **AMGEN INC.**, Thousand Oaks, CA (US)

(72) Inventors: **Margaux Frances Boyaval**, Newbury Park, CA (US); **Sigrig Moeslinger**, New York, NY (US); **Lisa Nugent**, Malibu, CA (US); **Brian Stonecipher**, Newbury Park, CA (US); **Masamichi Udagawa**, New York, NY (US)

(73) Assignee: **AMGEN INC.**, Thousand Oaks, CA (US)

(**) Term: **15 Years**

(21) Appl. No.: **29/591,745**

(22) Filed: **Jan. 23, 2017**

(51) **LOC (13) Cl.** **24-02**

(52) **U.S. Cl.**
USPC **D24/111**

(58) **Field of Classification Search**
USPC D24/111-114, 127, 130, 133, 186, 104,
D24/108, 176, 220

(Continued)

(56) **References Cited**

U.S. PATENT DOCUMENTS

D430,288 S * 8/2000 Mason D24/111
D430,289 S * 8/2000 Mason D24/111

(Continued)

Primary Examiner — Sheryl Lane

Assistant Examiner — Aula Soroush

(74) *Attorney, Agent, or Firm* — Marshall, Gerstein & Borun LLP

(57) **CLAIM**

The ornamental design for a wearable drug delivery device, as shown and described.

DESCRIPTION

FIG. 1 is a perspective view showing a first embodiment of a new design for a wearable drug delivery device;

FIG. 2 is a front view of the wearable drug delivery device of FIG. 1;

FIG. 3 is a rear view of the wearable drug delivery device of FIG. 1;

FIG. 4 is a right-side view of the wearable drug delivery device of FIG. 1;

FIG. 5 is a left-side view of the wearable drug delivery device of FIG. 1;

FIG. 6 is a top view of the vial wearable drug delivery device of FIG. 1;

FIG. 7 is a bottom view of the vial wearable drug delivery device of FIG. 1;

FIG. 8 is a perspective view of the wearable drug delivery device of FIGS. 1-7 showing a window of the device in a backlit or illuminated state;

FIG. 9 is a perspective view showing a second embodiment of a new design for a wearable drug delivery device;

FIG. 10 is a front view of the wearable drug delivery device of FIG. 9;

FIG. 11 is a rear view of the wearable drug delivery device of FIG. 9;

FIG. 12 is a right-side view of the wearable drug delivery device of FIG. 9;

FIG. 13 is a left-side view of the wearable drug delivery device of FIG. 9;

FIG. 14 is a top view of the vial wearable drug delivery device of FIG. 9;

FIG. 15 is a bottom view of the vial wearable drug delivery device of FIG. 9;

FIG. 16 is a perspective view of the wearable drug delivery device of FIGS. 9-15 showing a window of the device in a backlit or illuminated state;

FIG. 17 is a perspective view showing a third embodiment of a new design for a wearable drug delivery device;

FIG. 18 is a front view of the wearable drug delivery device of FIG. 17;

FIG. 19 is a rear view of the wearable drug delivery device of FIG. 17;

FIG. 20 is a right-side view of the wearable drug delivery device of FIG. 17;

FIG. 21 is a left-side view of the wearable drug delivery device of FIG. 17;

FIG. 22 is a top view of the vial wearable drug delivery device of FIG. 17;

(Continued)

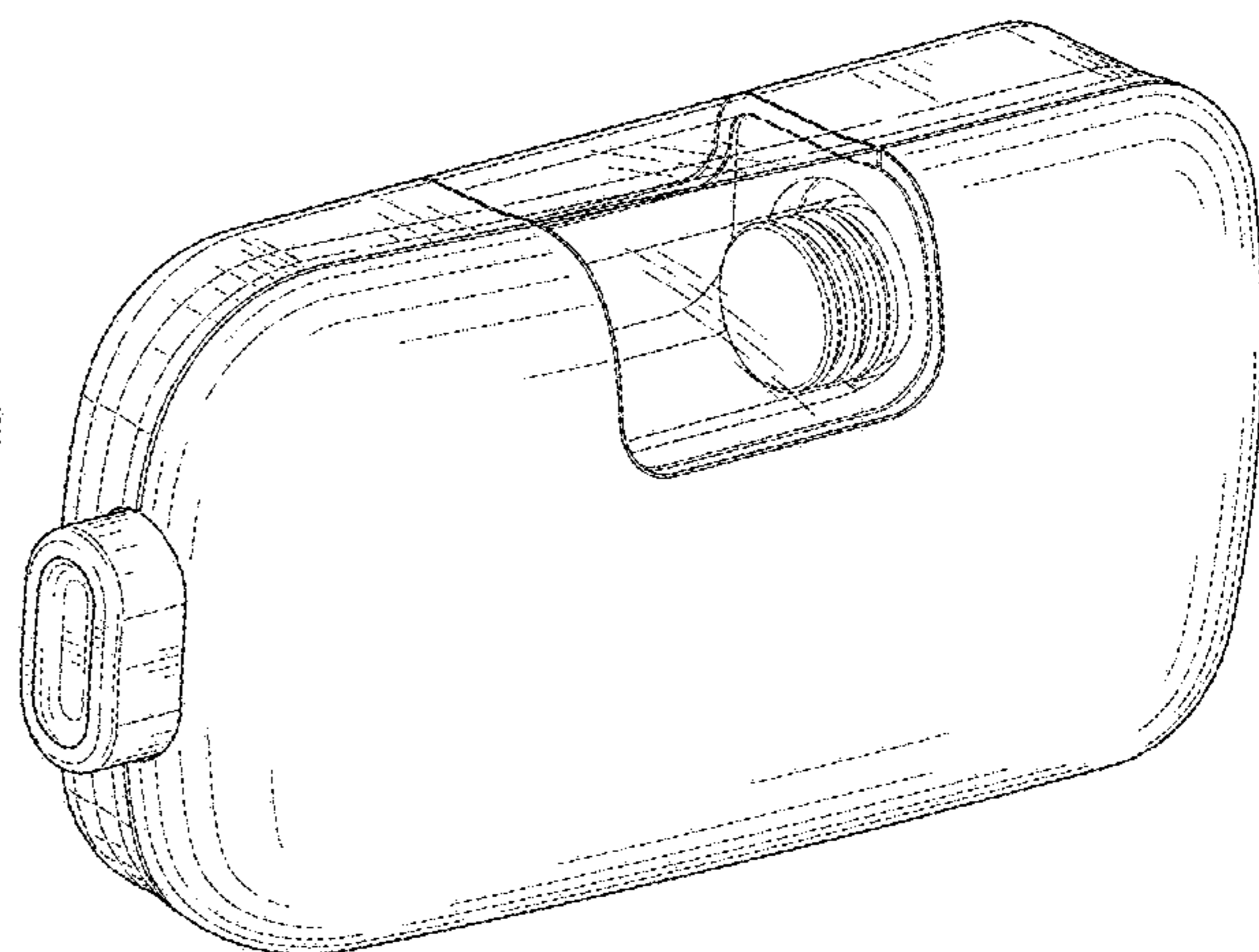
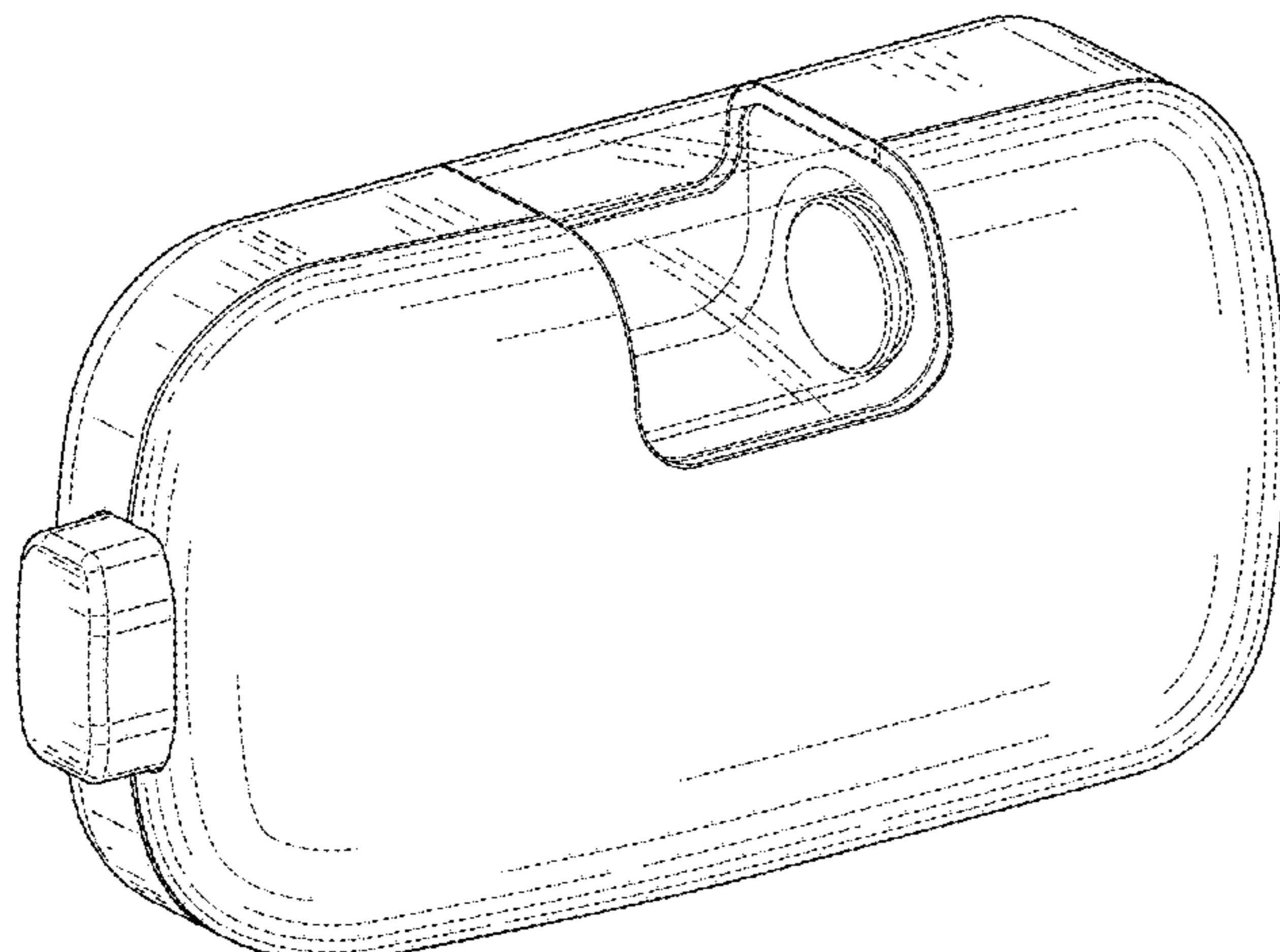


FIG. 23 is a bottom view of the vial wearable drug delivery device of FIG. 17; and, FIG. 24 is a perspective view of the wearable drug delivery device of FIGS. 17-23 showing a window of the device in a backlit or illuminated state. The dashed lines are included for the purpose of illustrating environment and form no part of the claimed design. The broken lines illustrating radiating lines, which is the environment of the design,, and which forms no part of the claimed design.

1 Claim, 15 Drawing Sheets

(58) **Field of Classification Search**

CPC A61M 5/1428; A61M 5/162; A61M 5/14276; A61M 2005/14252; A61M 2005/1581; A61M 2005/14513; A61M 2005/206; A61M 39/0208

See application file for complete search history.

(56)

References Cited

U.S. PATENT DOCUMENTS

D684,685	S *	6/2013	Schneider	D24/108
D684,686	S *	6/2013	Cronenberg	D24/108
D685,083	S *	6/2013	Schneider	D24/108
D687,141	S *	7/2013	Schneider	D24/108
D745,142	S *	12/2015	O'Connor	D24/111
D768,288	S *	10/2016	O'Connor	D24/111
D791,306	S *	7/2017	Clemente	D24/111
D794,770	S *	8/2017	Wu	D24/108
9,814,832	B2 *	11/2017	Agard	A61M 5/3157
D806,232	S *	12/2017	Hwang	D24/112
D812,738	S *	3/2018	Wolford	D24/111
D812,739	S *	3/2018	Wolford	D24/111
D813,380	S *	3/2018	Stonecipher	D24/113
D829,889	S *	10/2018	Hwang	D24/112
D830,537	S *	10/2018	Hwang	D24/112
2013/0066274	A1 *	3/2013	O'Connor	A61M 5/1452 604/151

* cited by examiner

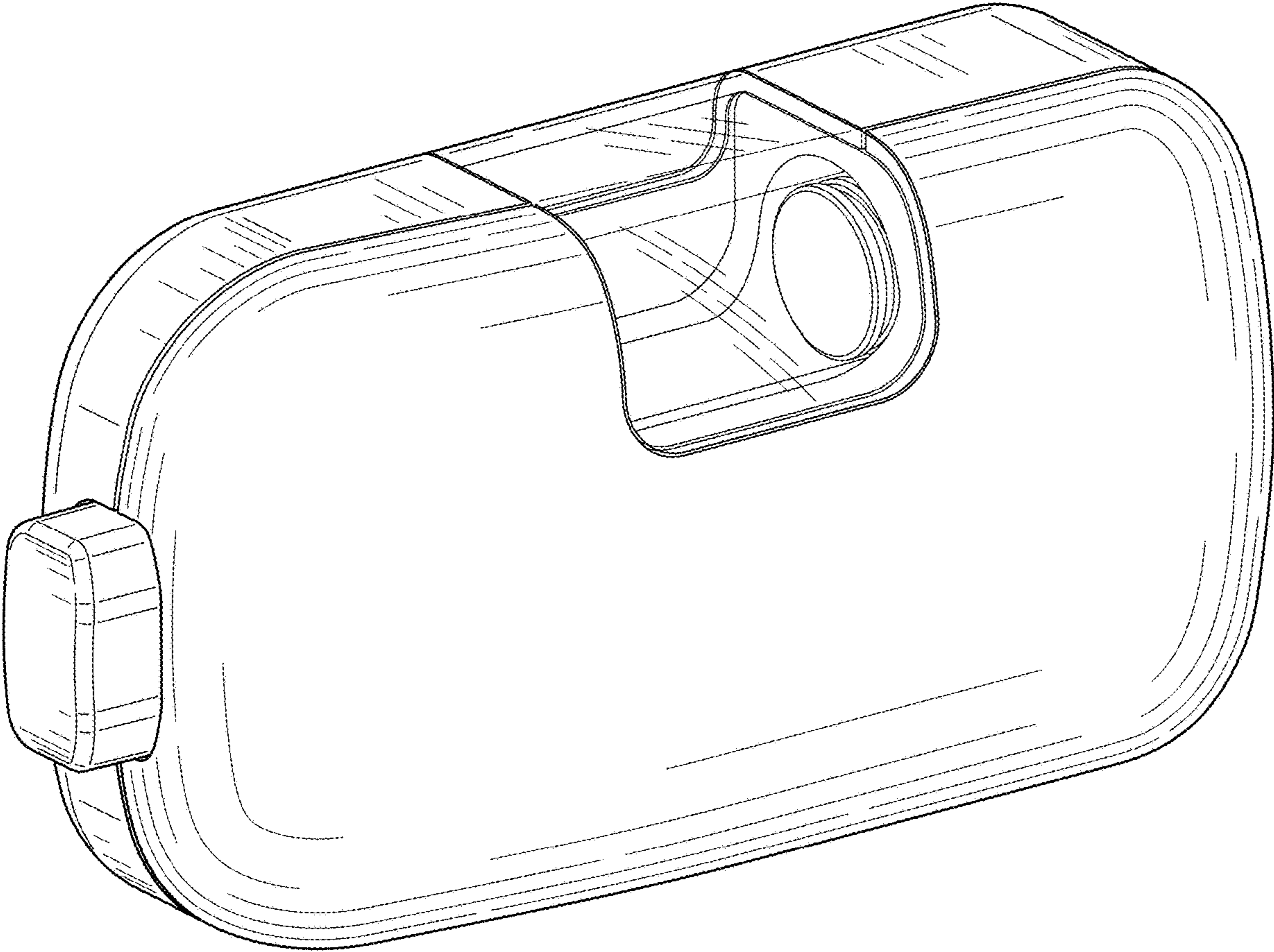


FIG. 1

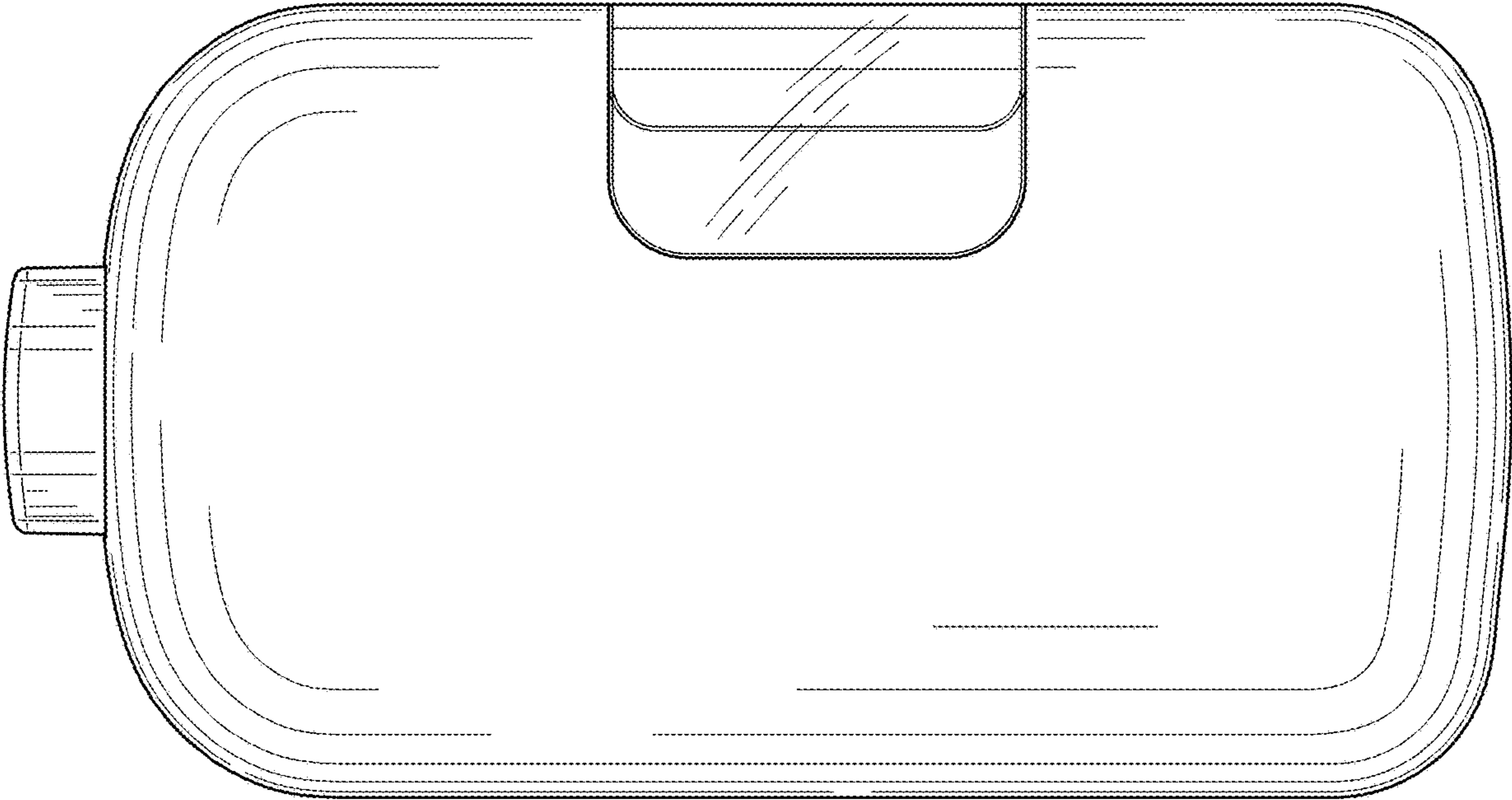


FIG. 2

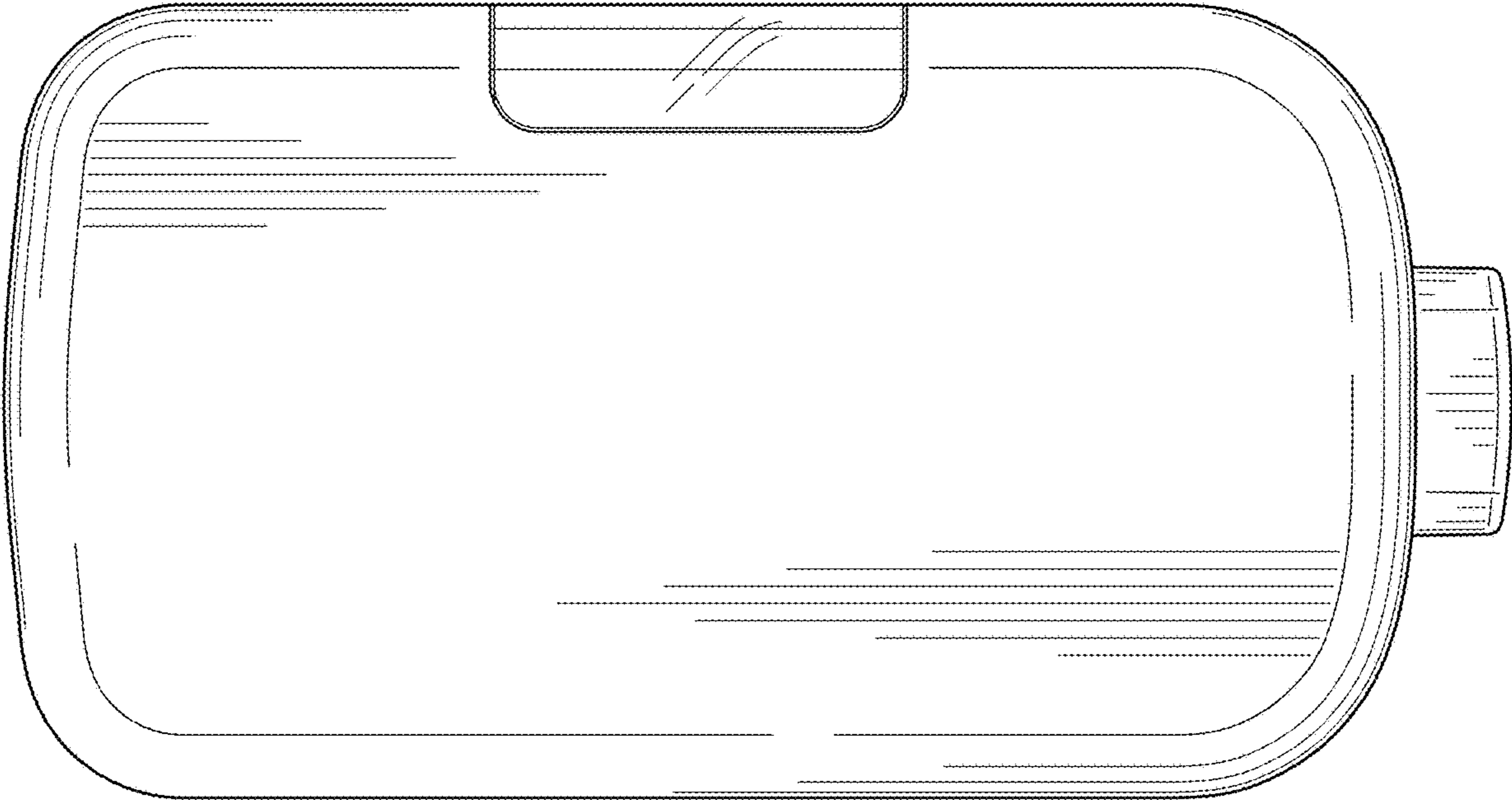


FIG. 3

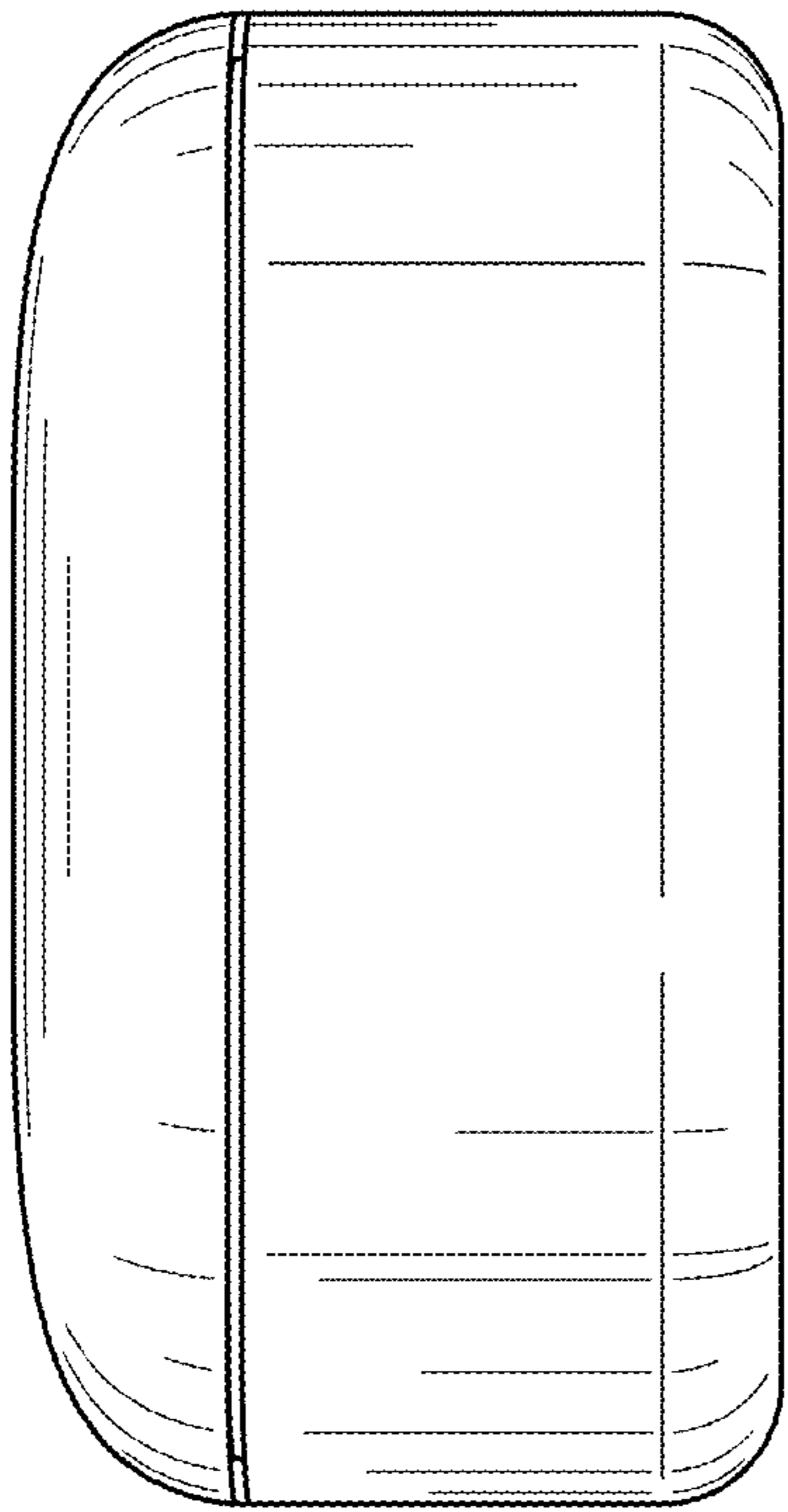


FIG. 4

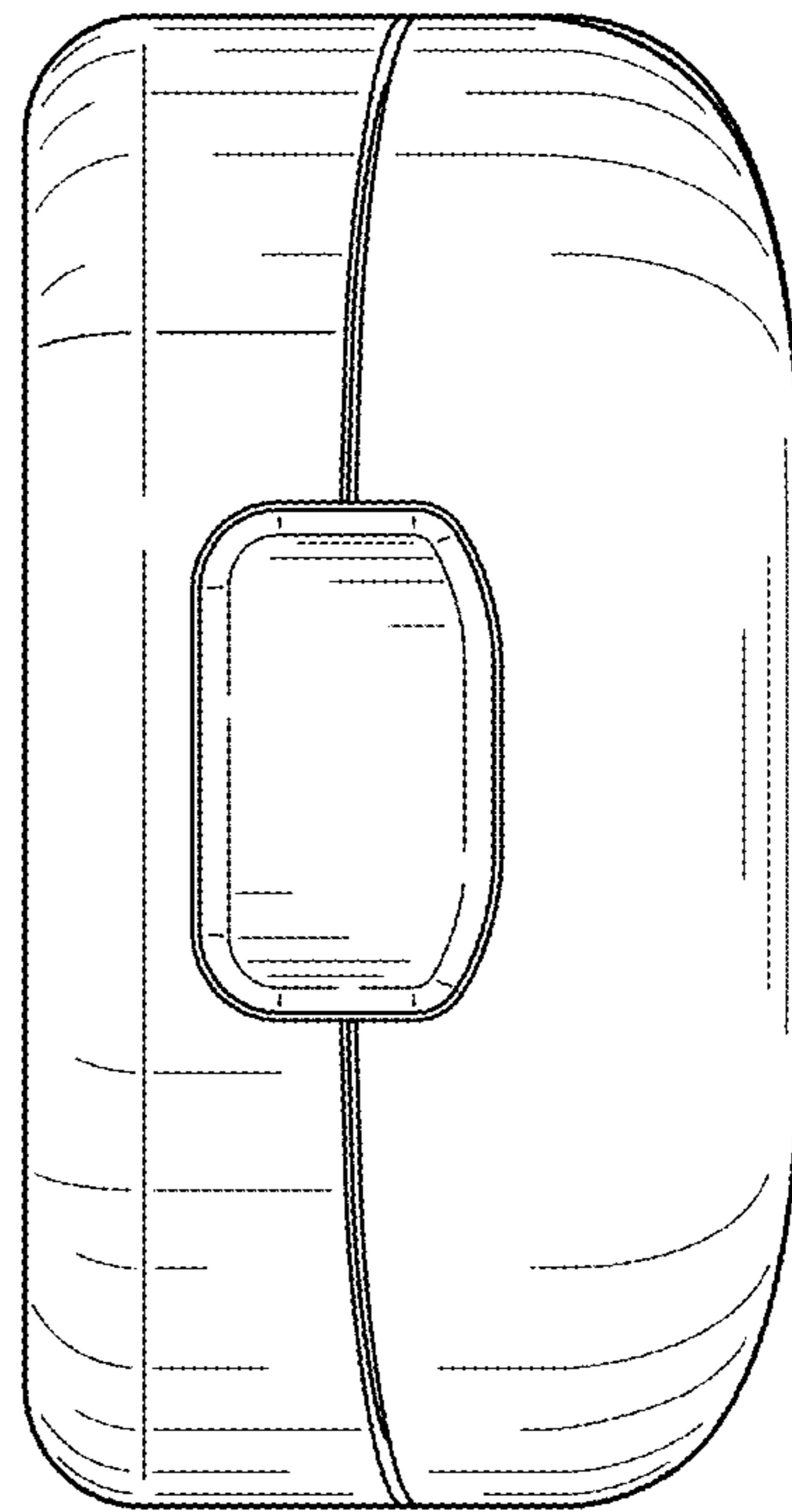


FIG. 5

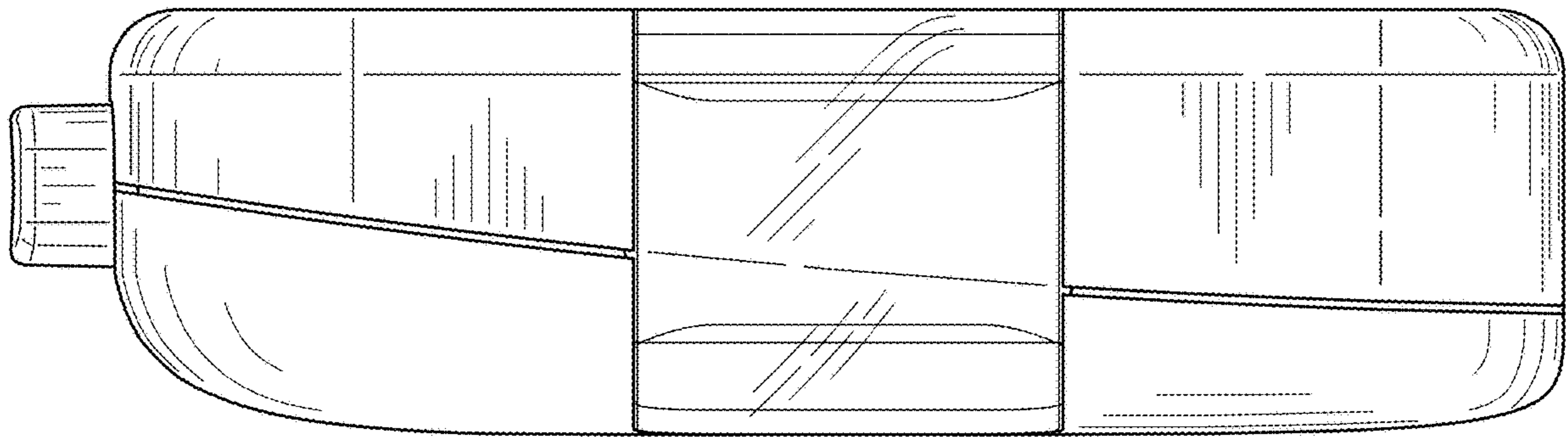


FIG. 6

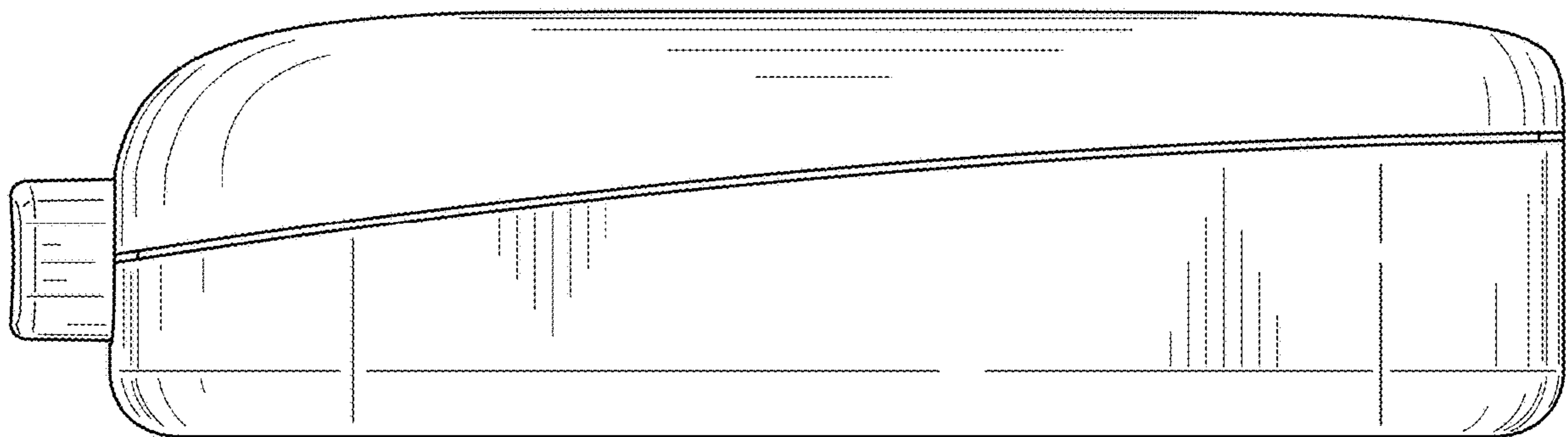


FIG. 7

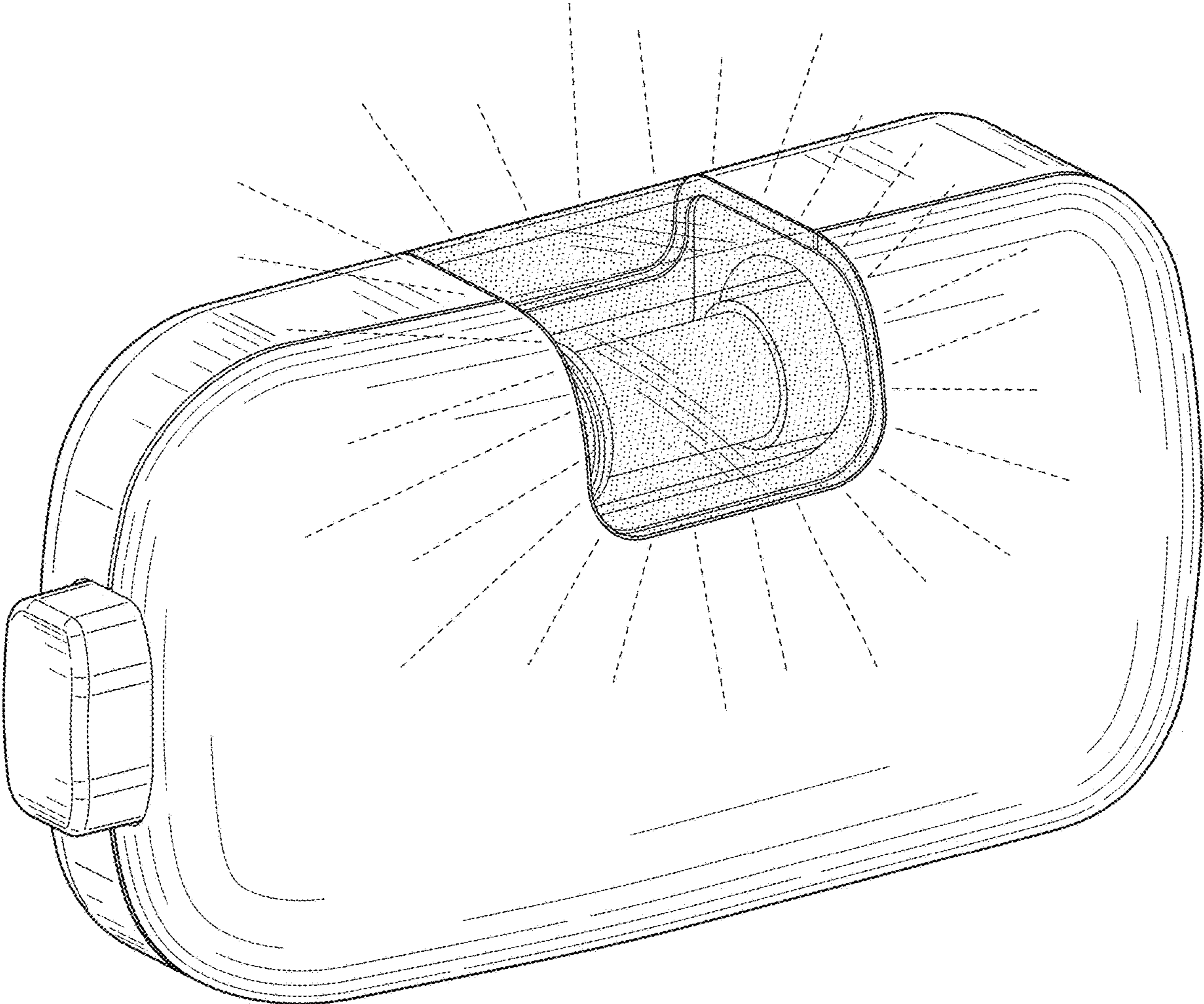


FIG. 8

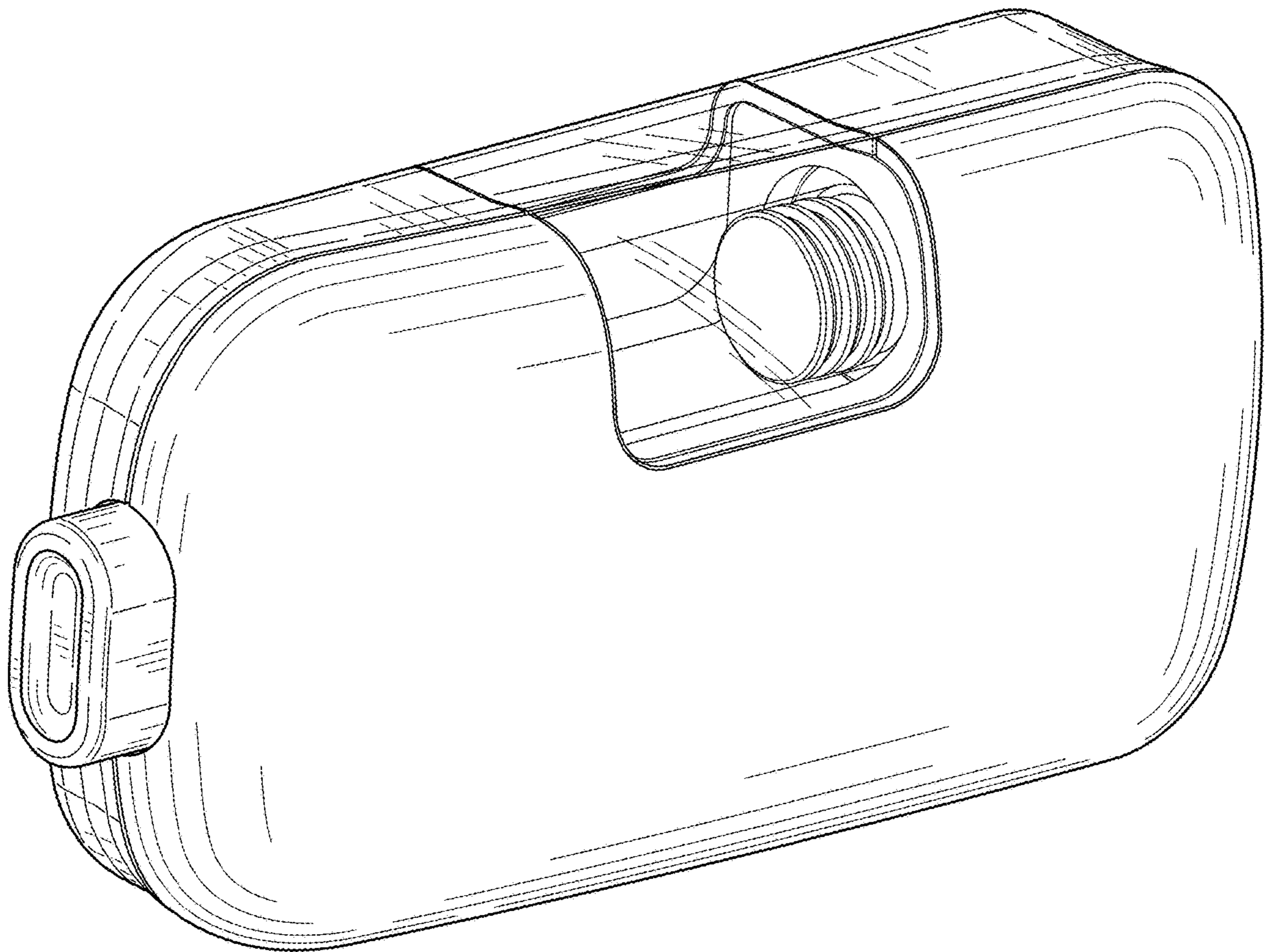


FIG. 9

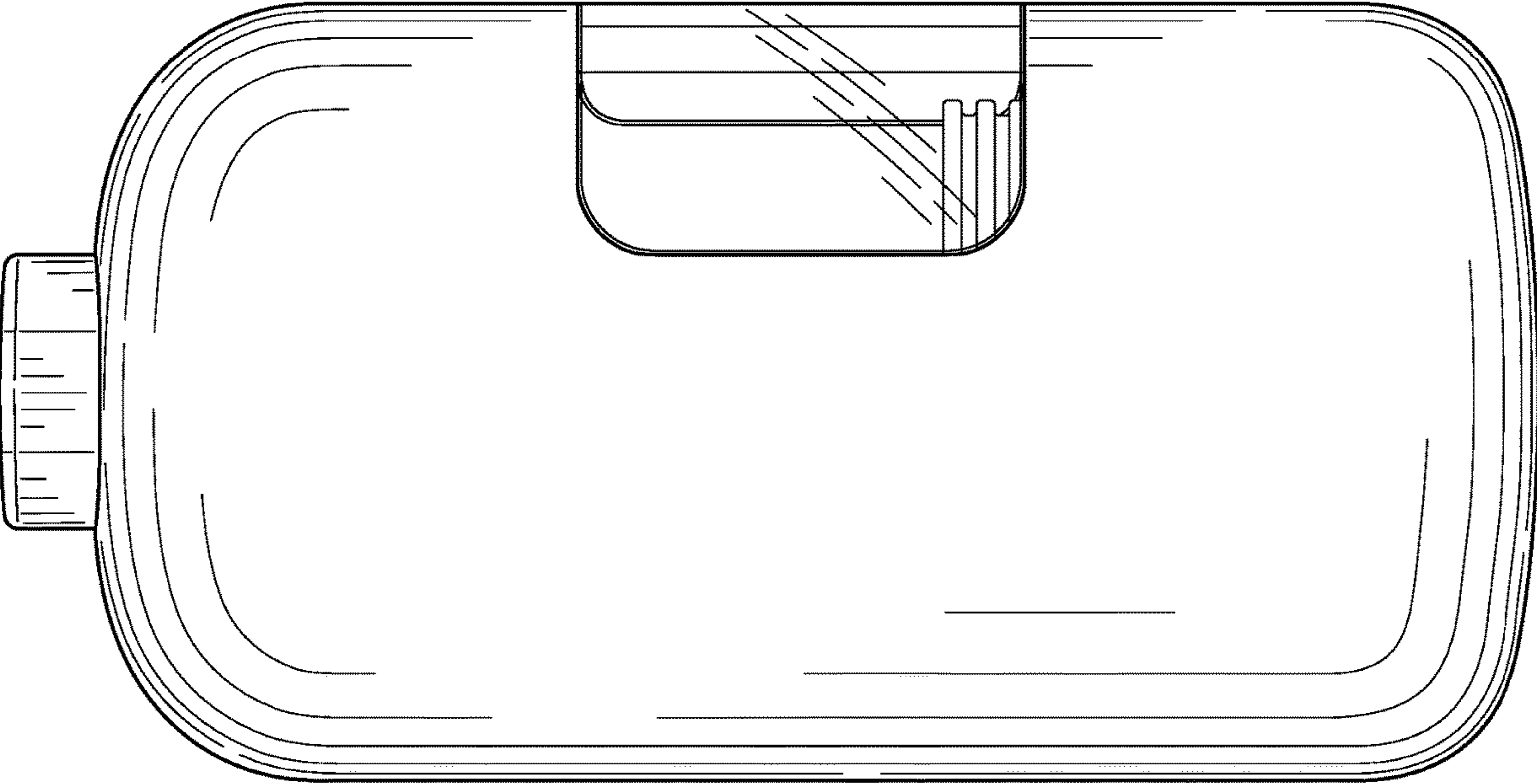


FIG. 10

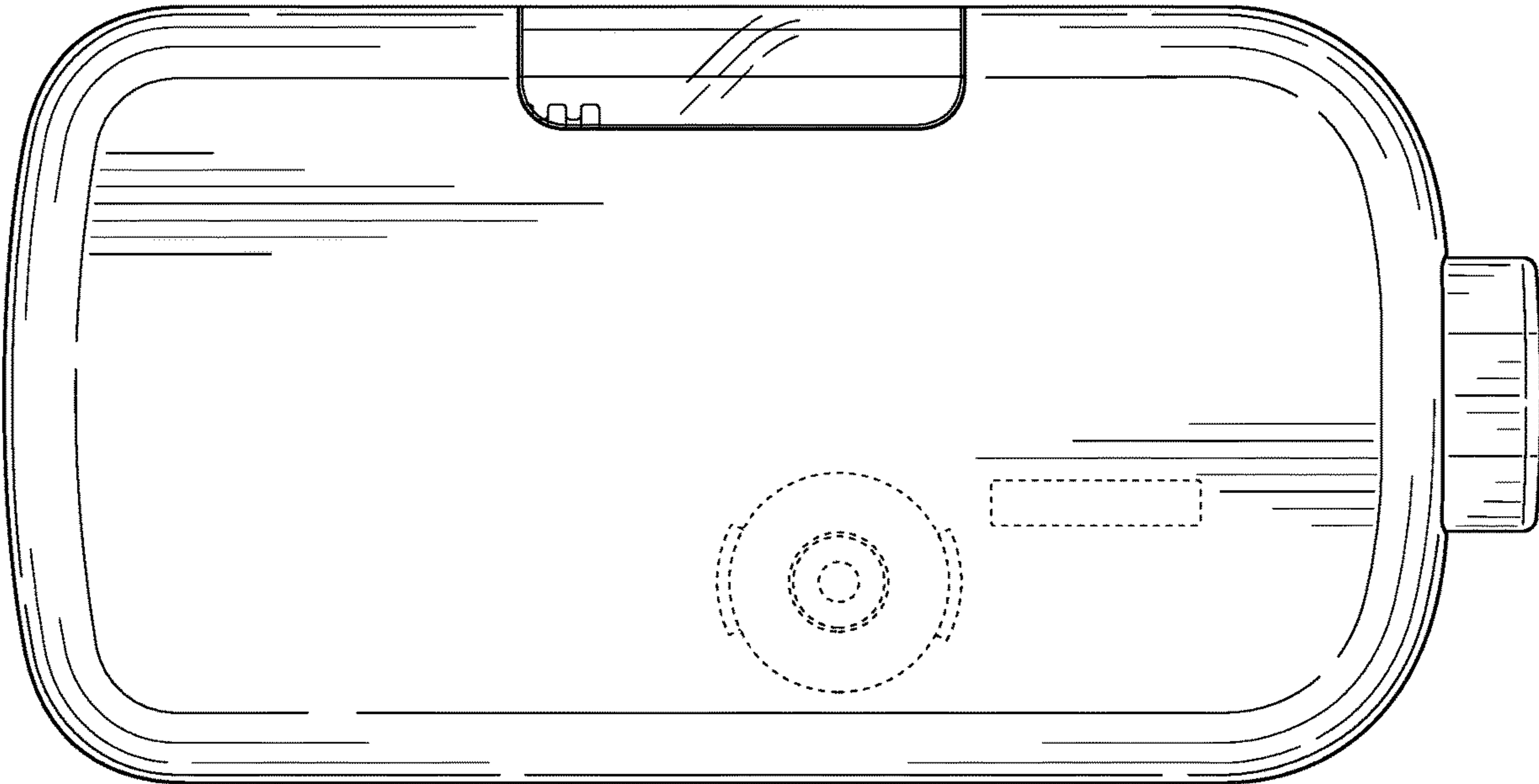


FIG. 11

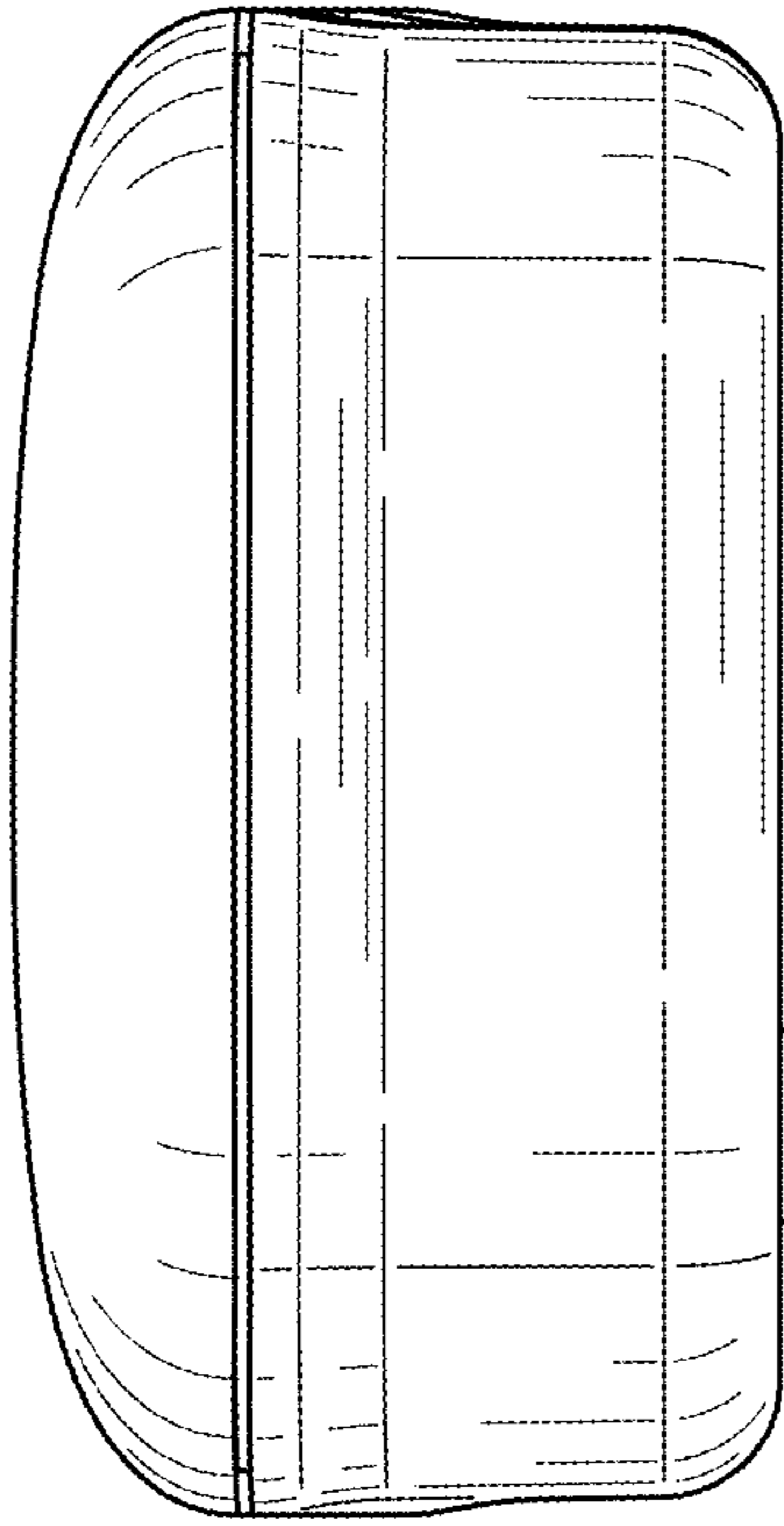


FIG. 12

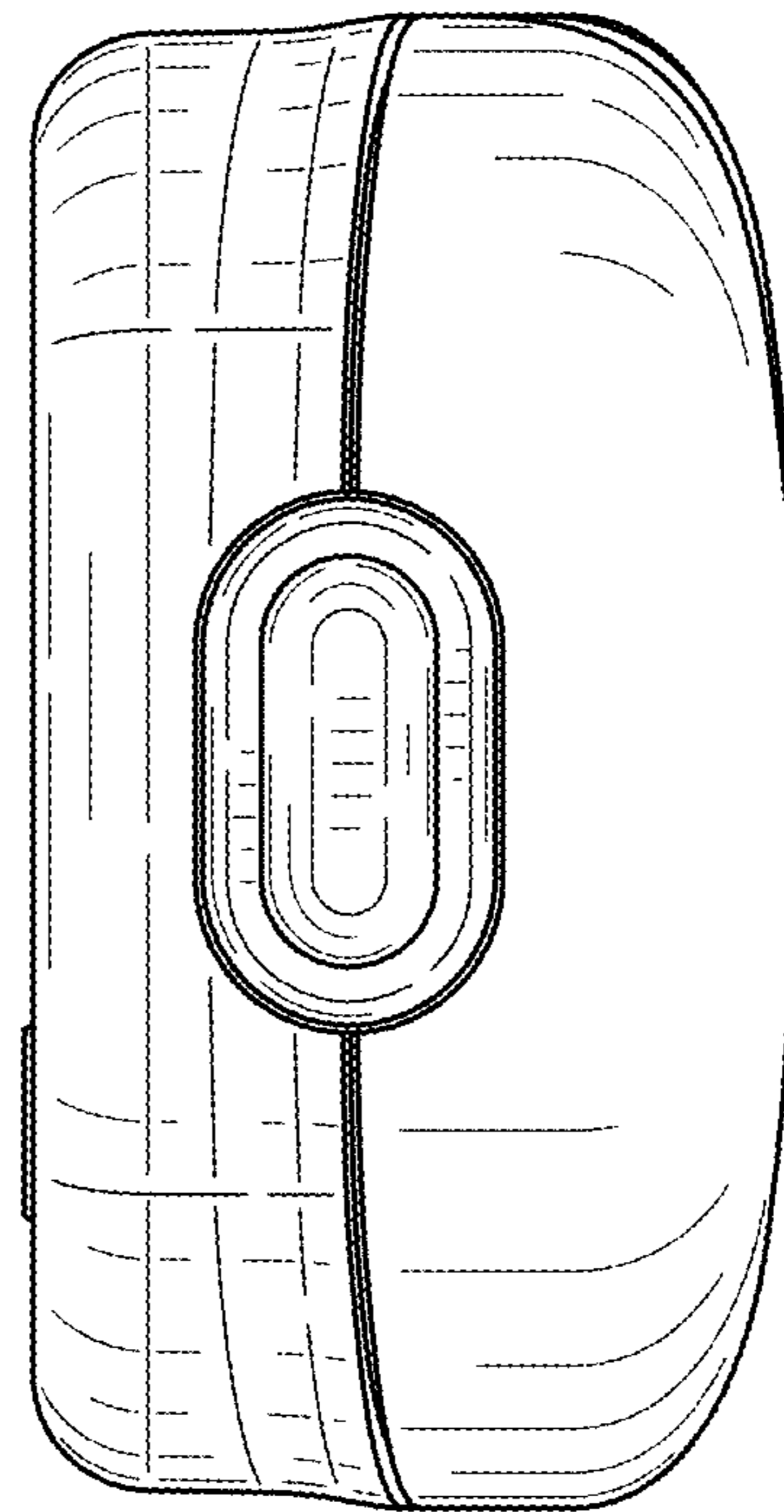


FIG. 13

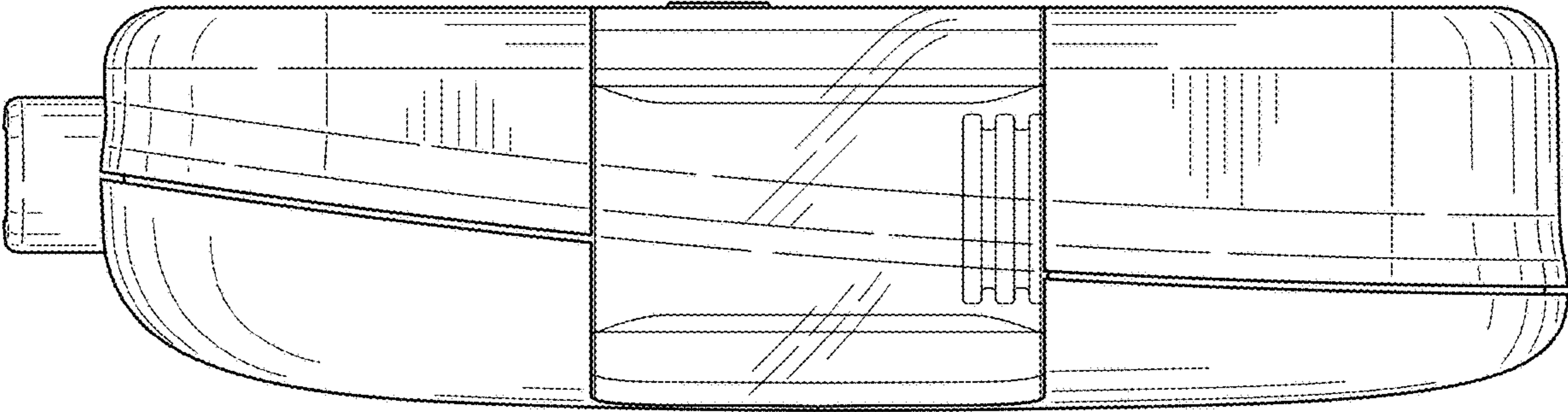


FIG. 14

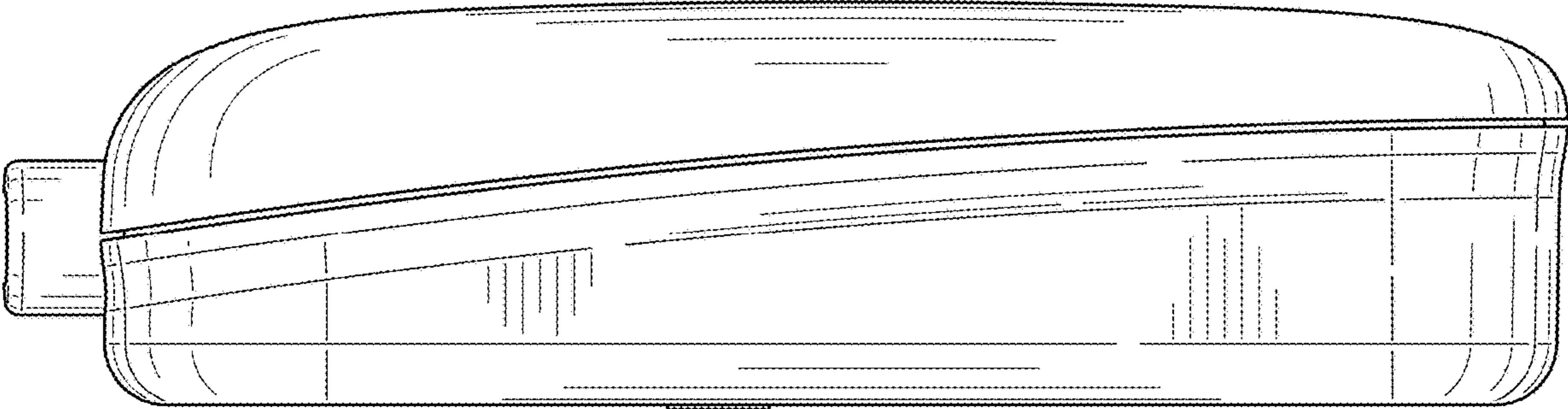


FIG. 15

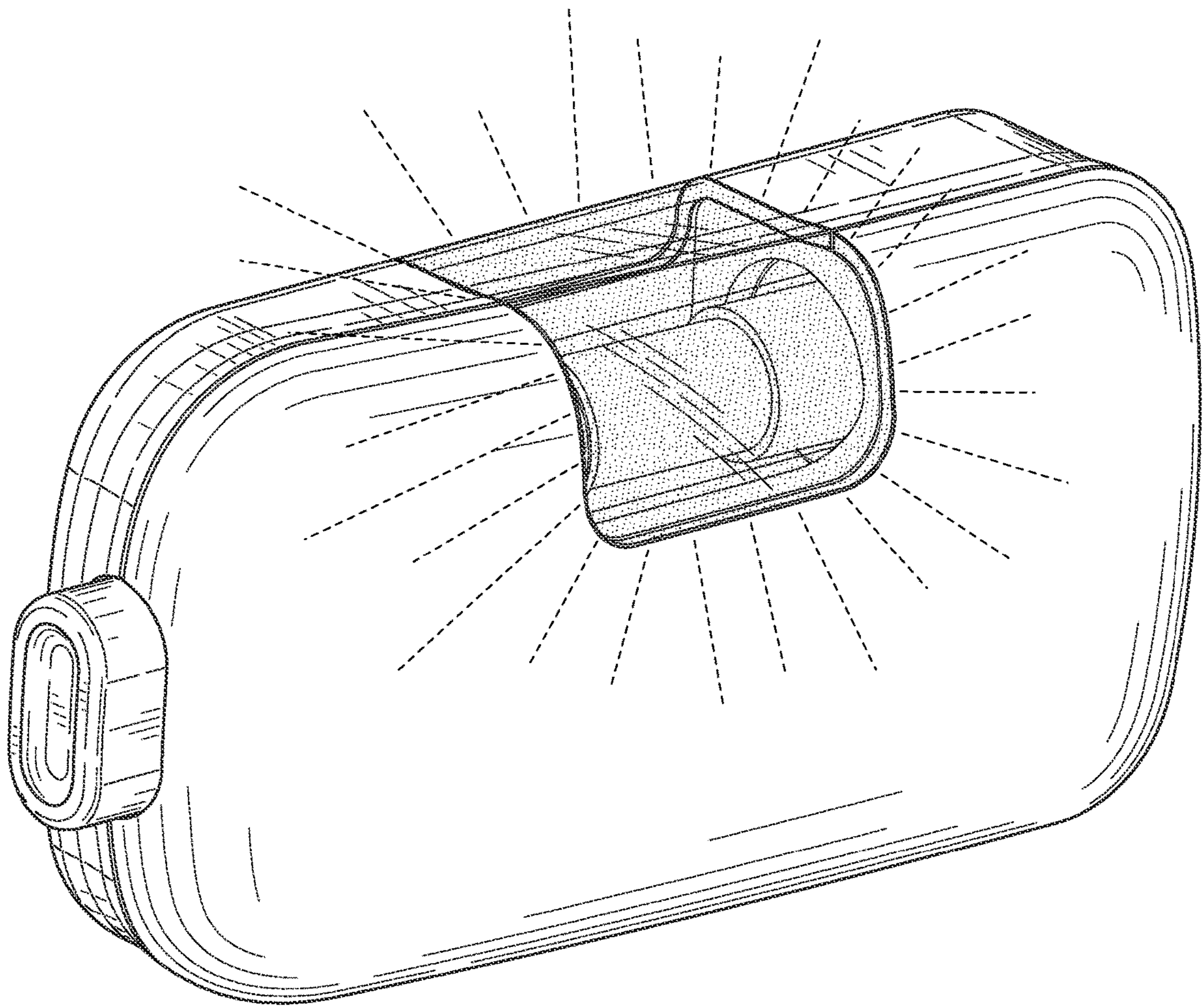


FIG. 16

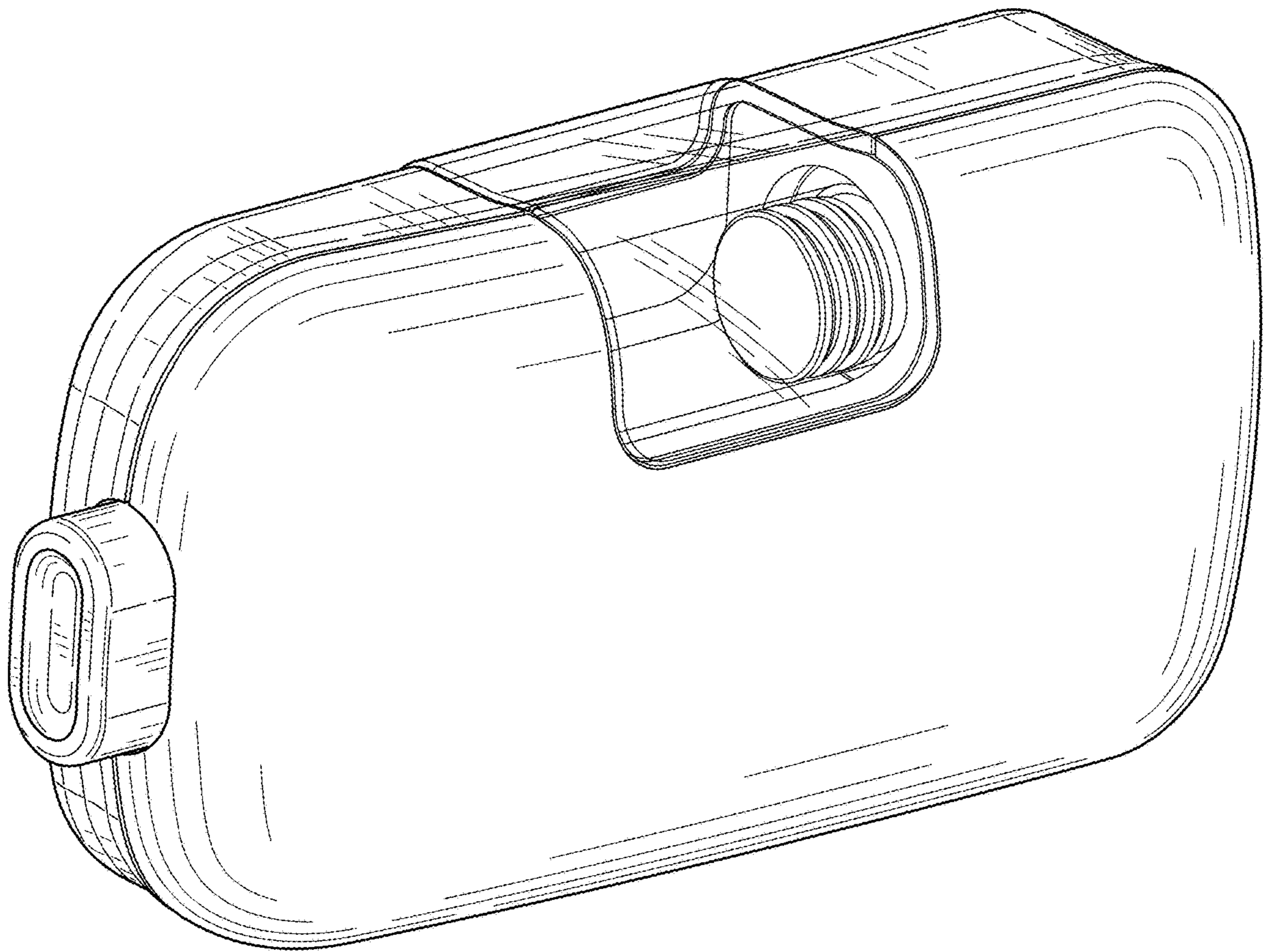


FIG. 17

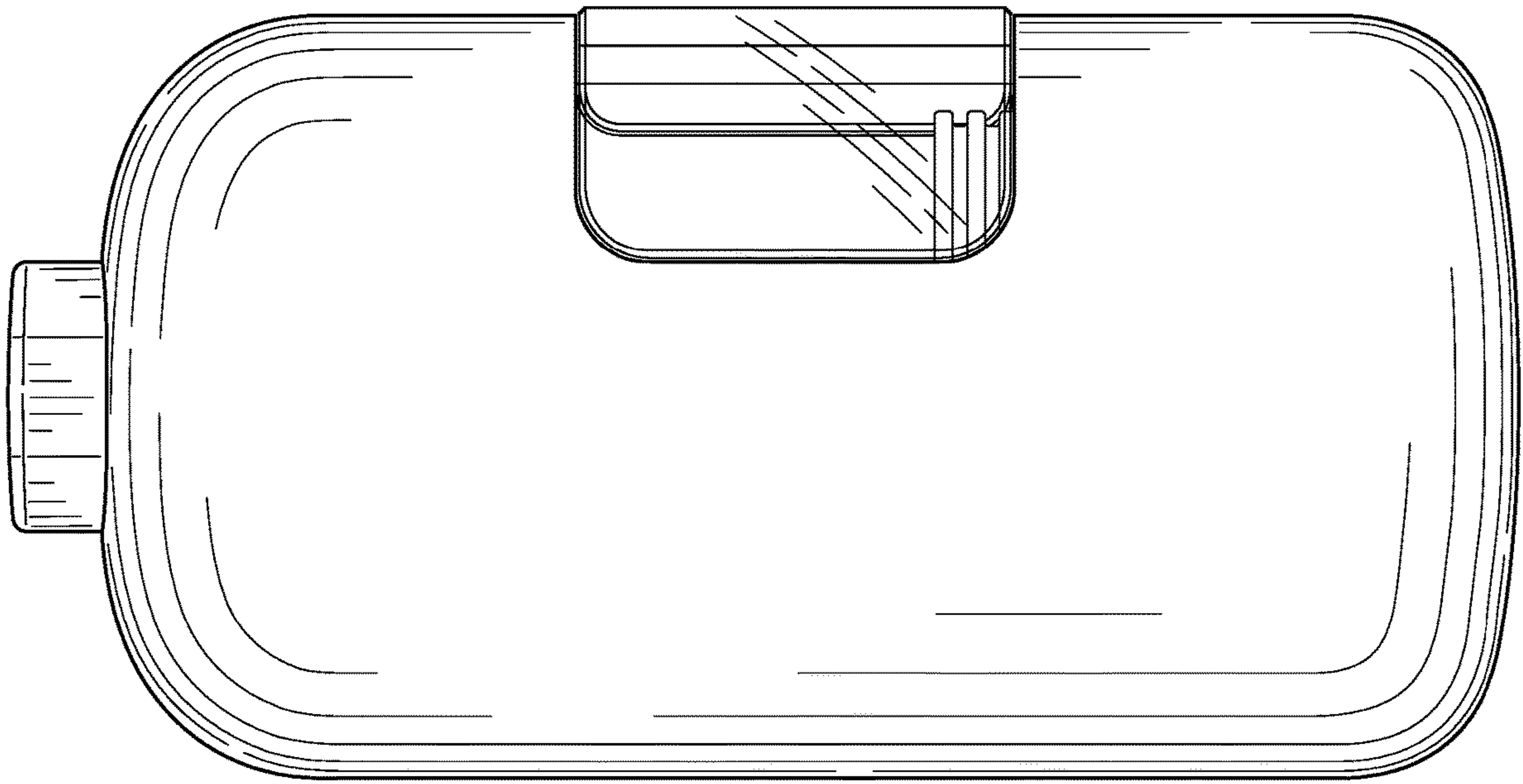


FIG. 18

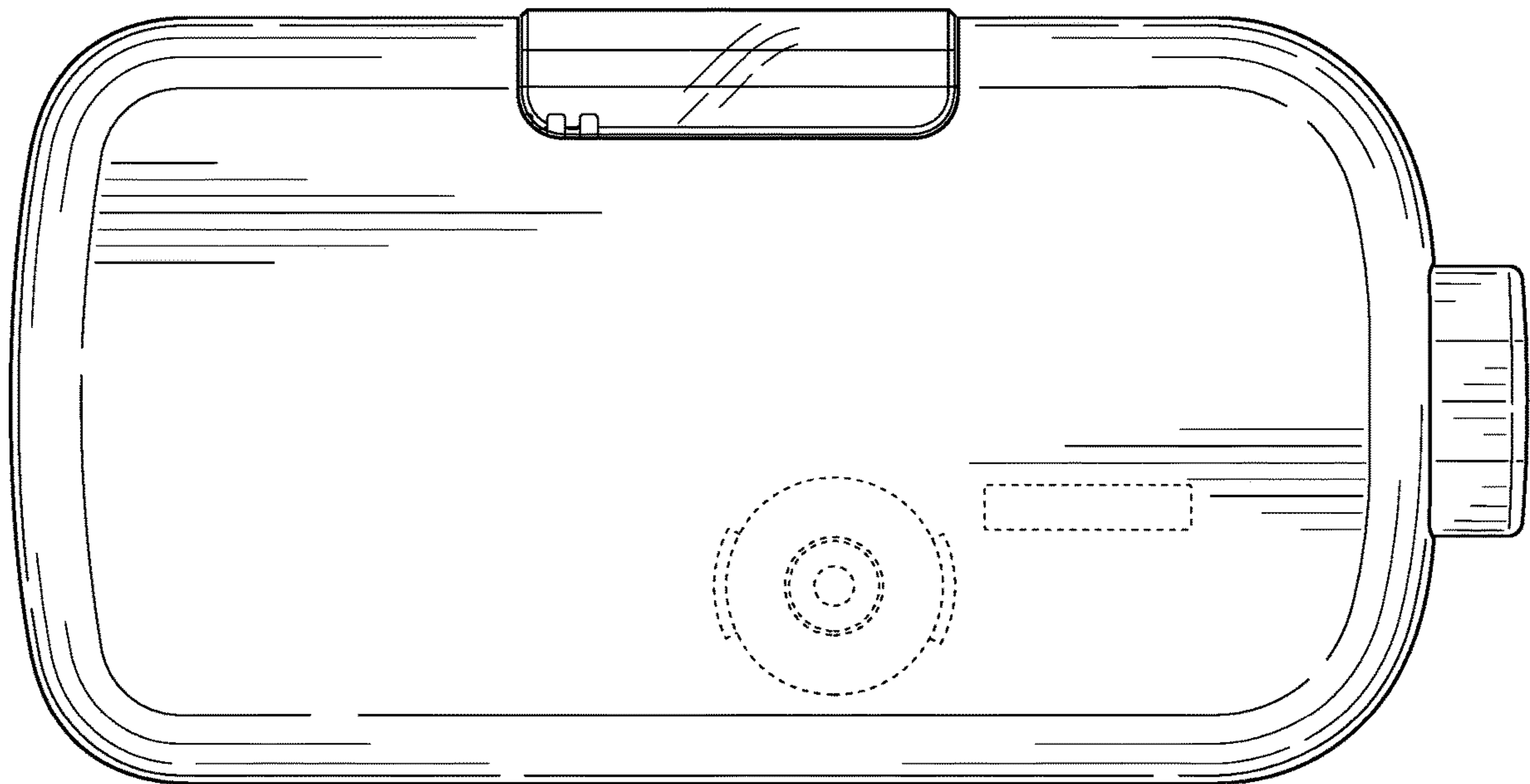


FIG. 19

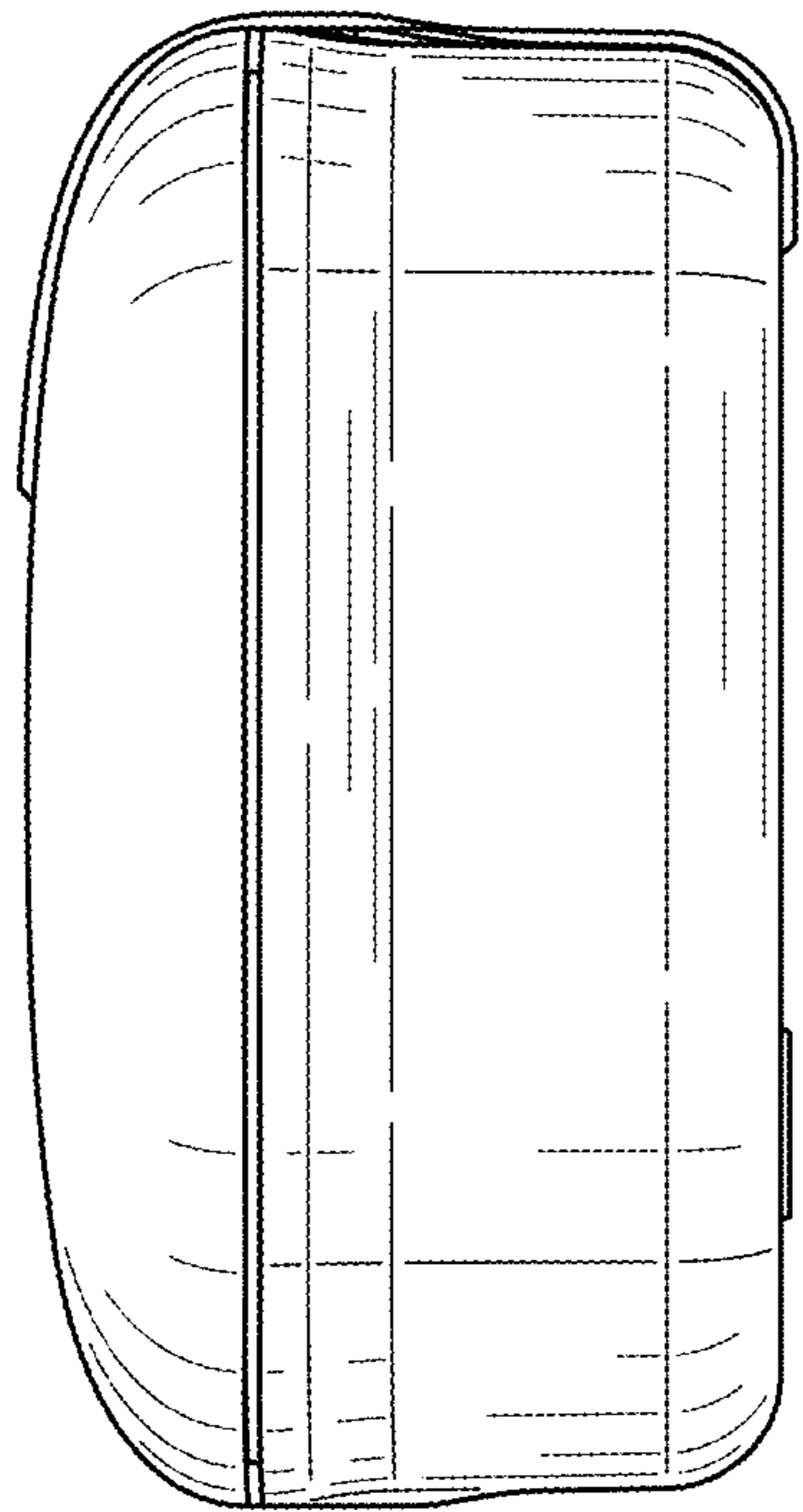


FIG. 20

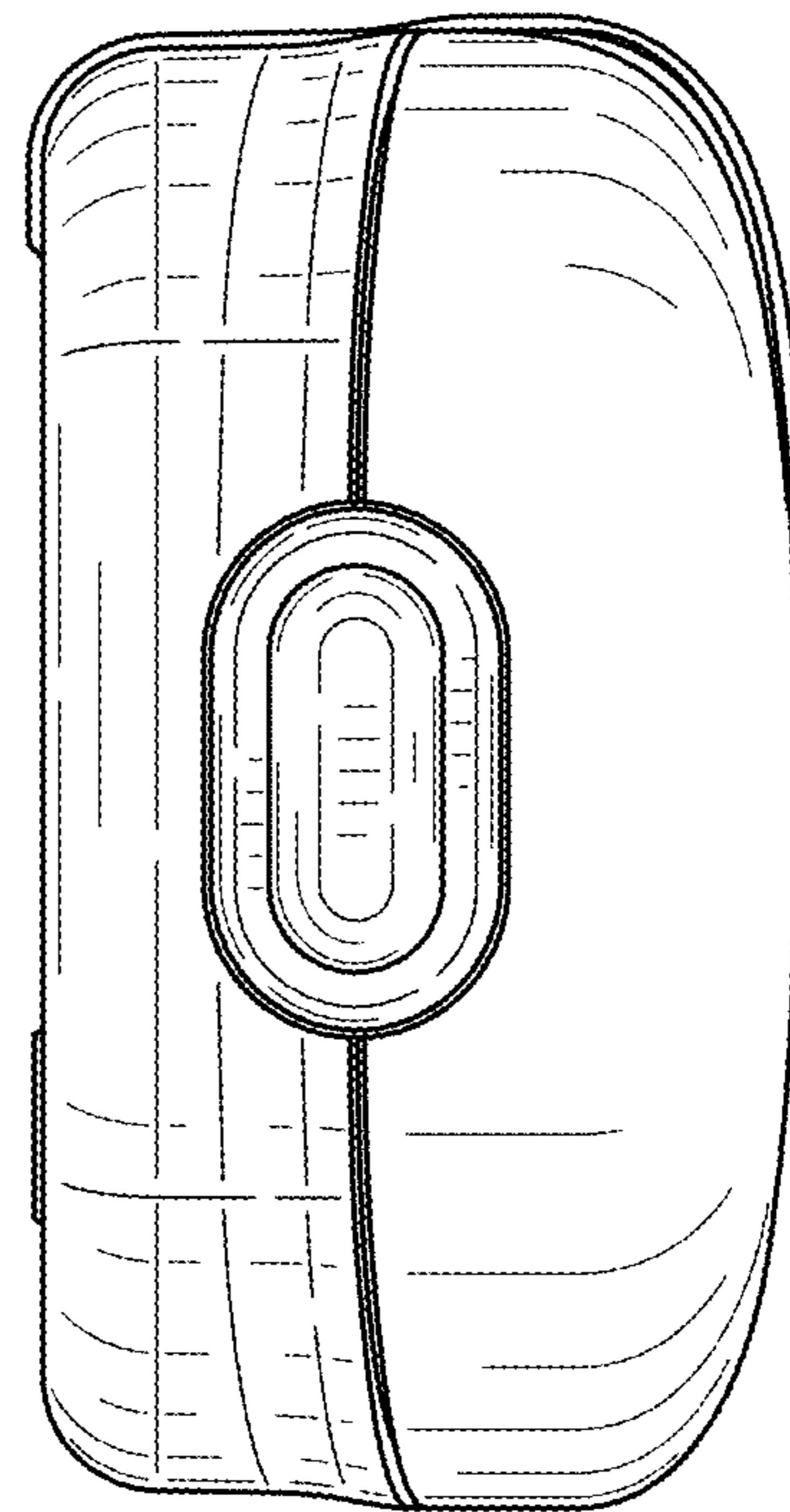


FIG. 21

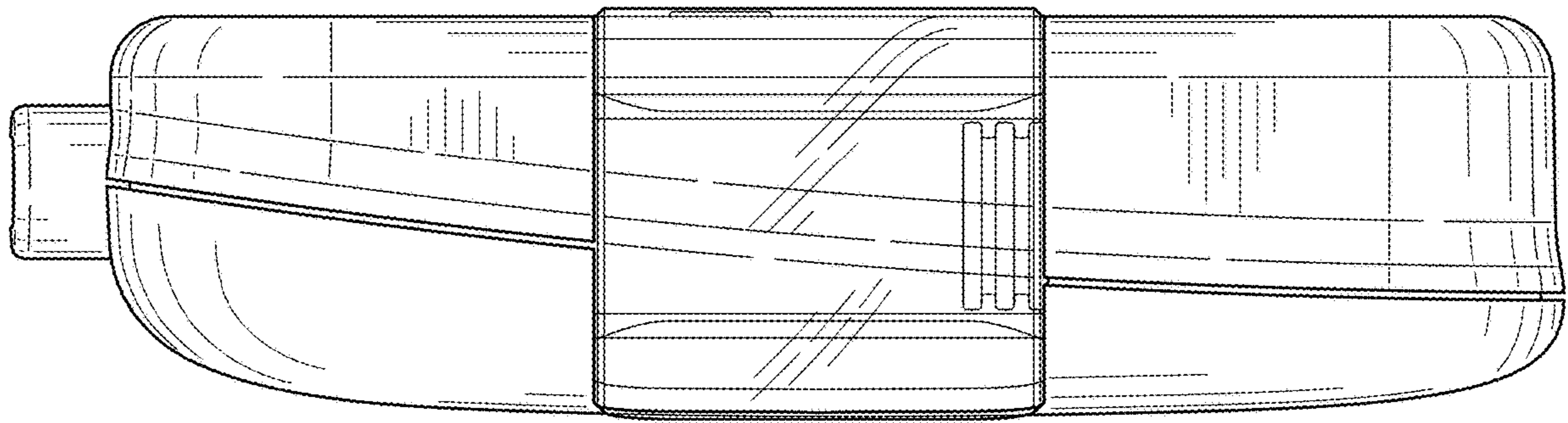


FIG. 22

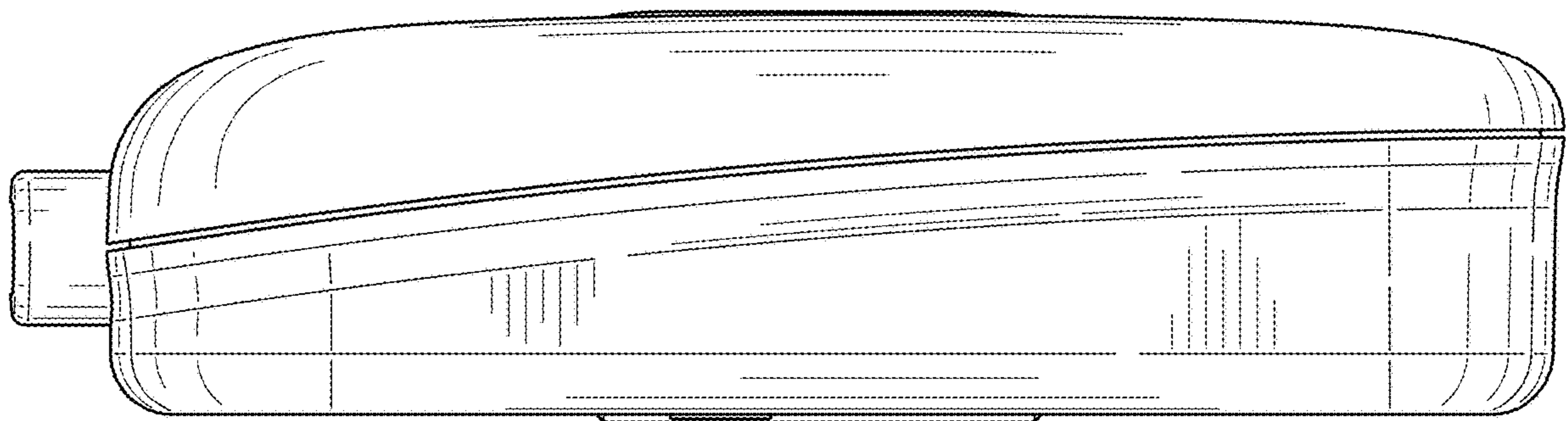


FIG. 23

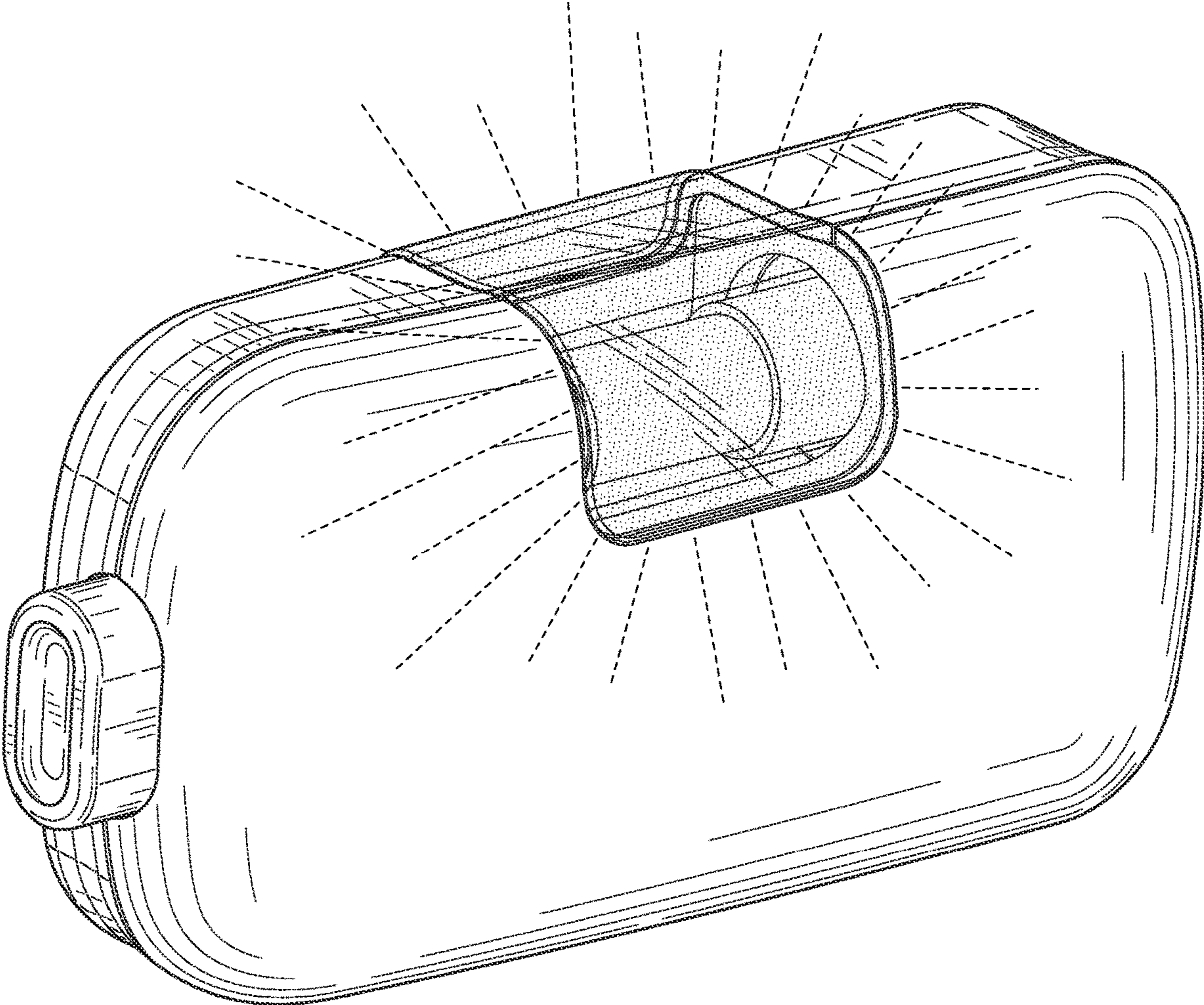


FIG. 24