



US00D955558S

(12) **United States Design Patent** (10) **Patent No.:** **US D955,558 S**  
**Collins et al.** (45) **Date of Patent:** **\*\* Jun. 21, 2022**

- (54) **HEADGEAR ASSEMBLY FOR A DIRECT NASAL MASK ASSEMBLY**
- (71) Applicant: **Fisher & Paykel Healthcare Limited**, Auckland (NZ)
- (72) Inventors: **Janine Elizabeth Collins**, Auckland (NZ); **Chris Onin Limpin Hipolito**, Auckland (NZ); **Jonathan Mark Downey**, Auckland (NZ); **Matthew Aaron Bradley**, Auckland (NZ); **Priyanka Ferdinand Pao**, Auckland (NZ); **Steve Thomas**, Auckland (NZ); **Silas Sao Jin Siew**, Auckland (NZ)
- (73) Assignee: **Fisher & Paykel Healthcare Limited**, Auckland (NZ)
- (\*\*) Term: **15 Years**
- (21) Appl. No.: **29/753,888**
- (22) Filed: **Oct. 2, 2020**

**Related U.S. Application Data**

- (62) Division of application No. 29/643,430, filed on Apr. 9, 2018, now Pat. No. Des. 901,003.
- (51) **LOC (13) Cl.** ..... **24-02**
- (52) **U.S. Cl.**  
USPC ..... **D24/110.1**
- (58) **Field of Classification Search**  
USPC ..... D24/110, 110.1–110.4, 110.6, 127; D29/108, 122  
CPC ..... A61M 16/06; A61M 16/0605; A61M 16/0616; A61M 16/0622; A61M 16/0633; A61M 16/0644; A61M 16/0666; A61M 16/0672; A61M 16/0683; A61M 16/08; A61M 16/0816

See application file for complete search history.

- (56) **References Cited**  
U.S. PATENT DOCUMENTS  
D653,748 S \* 2/2012 Henry ..... D24/110.5  
D692,554 S 10/2013 Siew et al.  
(Continued)

- OTHER PUBLICATIONS**  
Examination Report; Canadian Application No. 183905; dated Jul. 30, 2019; 3 pages.  
(Continued)

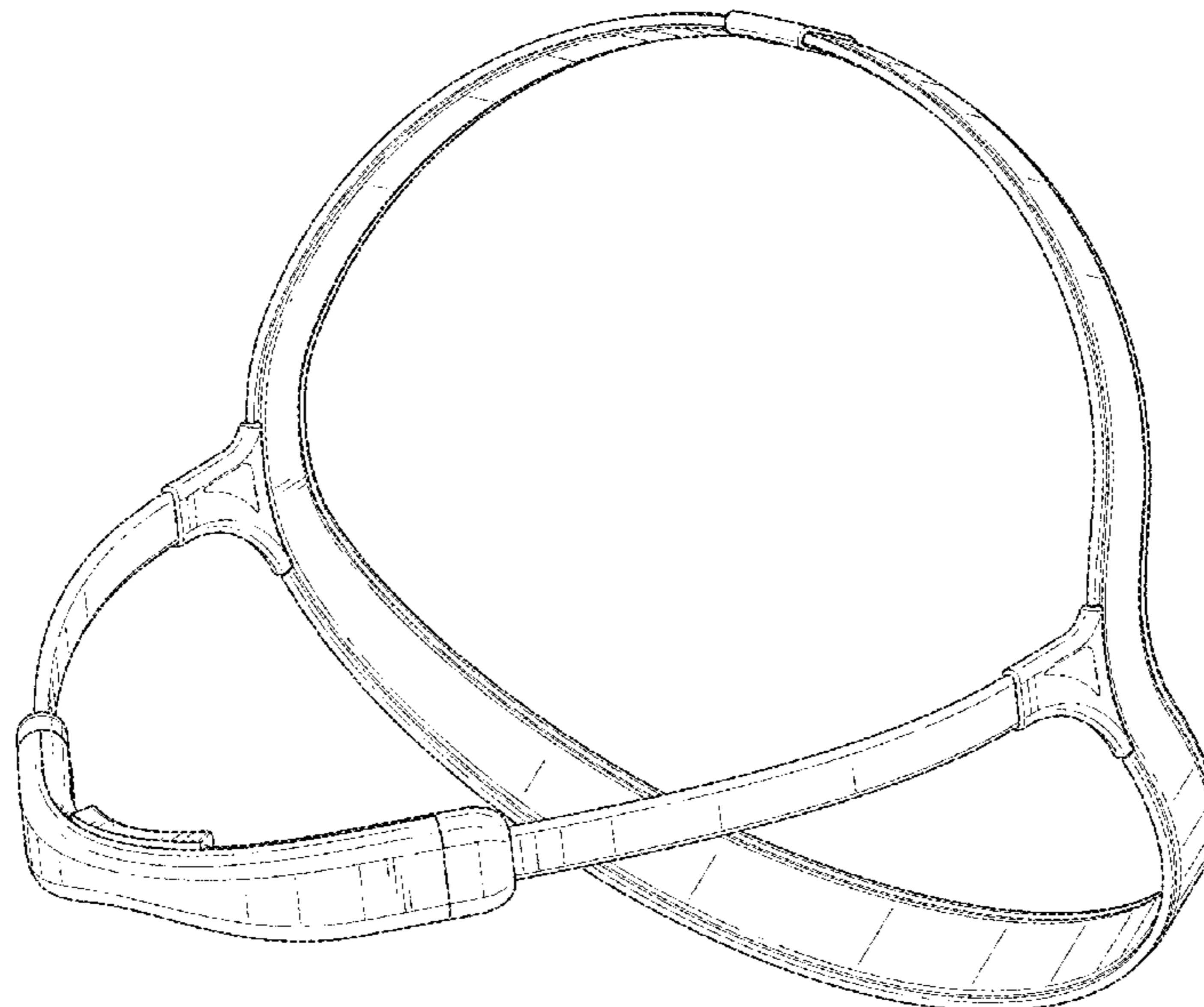
*Primary Examiner* — Lilyana Bekic  
*Assistant Examiner* — Lee D. Starr  
(74) *Attorney, Agent, or Firm* — Knobbe, Martens, Olson & Bear LLP

- (57) **CLAIM**  
The ornamental design for a headgear assembly for a direct nasal mask assembly, as shown and described.

**DESCRIPTION**

FIG. 1 is a top, front, right side perspective view of a headgear assembly for a direct nasal mask assembly, showing our new design;  
FIG. 2 is a rear, top, left side perspective view thereof;  
FIG. 3 is a front view thereof;  
FIG. 4 is a rear view thereof;  
FIG. 5 is a right side view thereof;  
FIG. 6 is a left side view thereof;  
FIG. 7 is a top view thereof; and,  
FIG. 8 is a bottom view thereof.  
The dashed lines in the drawings show portions of the headgear assembly for a direct nasal mask assembly that form no part of the claimed design.  
The references to “left,” “right,” “front,” “rear,” “top,” and “bottom” in the figure descriptions are not meant to require certain in-use orientation; the headgear assembly for a direct nasal mask assembly may be used in any suitable orientations.

**1 Claim, 6 Drawing Sheets**



(56)

References Cited

U.S. PATENT DOCUMENTS

D737,953 S 9/2015 Wells et al.  
 D745,139 S \* 12/2015 Chen ..... D24/110  
 D749,205 S \* 2/2016 Chen ..... D24/110  
 D757,252 S 5/2016 Moger et al.  
 D770,036 S 10/2016 Walls et al.  
 D797,921 S 9/2017 Huang et al.  
 D815,728 S 4/2018 Walls et al.  
 10,080,856 B2 9/2018 McLaren et al.  
 D849,930 S \* 5/2019 Walls ..... D24/110.1  
 D857,190 S 8/2019 Siew et al.  
 D861,857 S 10/2019 Huang et al.  
 D867,577 S \* 11/2019 Walls ..... D24/110.4  
 D875,241 S 2/2020 Siew et al.  
 D875,242 S 2/2020 Gordon et al.  
 D901,003 S \* 11/2020 Gardiola ..... D24/110.4  
 2012/0090622 A1 4/2012 Chang  
 2013/0042871 A1 \* 2/2013 Chang ..... A61M 16/06  
 128/205.25  
 2013/0220327 A1 \* 8/2013 Barlow ..... A61M 16/0683  
 128/205.25  
 2014/0000614 A1 1/2014 Chang

2015/0151071 A1 \* 6/2015 Von Moger ..... A61M 16/0666  
 128/202.27  
 2016/0151596 A1 6/2016 Slight et al.  
 2016/0287830 A1 10/2016 Walls et al.  
 2017/0049984 A1 \* 2/2017 Biener ..... A61M 16/0666  
 2018/0207385 A1 7/2018 Freestone et al.  
 2018/0304036 A1 10/2018 Huang et al.  
 2019/0022343 A1 \* 1/2019 Kooij ..... A61M 16/0622  
 2019/0030272 A1 1/2019 Graham et al.  
 2019/0151592 A1 5/2019 Bornholdt et al.  
 2019/0217039 A1 7/2019 Hocking et al.  
 2019/0374737 A1 12/2019 Collins et al.  
 2020/0129720 A1 4/2020 McLaren et al.  
 2020/0197649 A1 6/2020 Haibach  
 2020/0230343 A1 \* 7/2020 Sims ..... A61M 16/0825  
 2020/0282169 A1 \* 9/2020 Pereira ..... A61M 16/06  
 2021/0008316 A1 \* 1/2021 McLaren ..... A61M 16/0622

OTHER PUBLICATIONS

Canadian Intellectual Property Office, Examination Report, Application No. 195493, dated Oct. 8, 2020, in 1 page.

\* cited by examiner

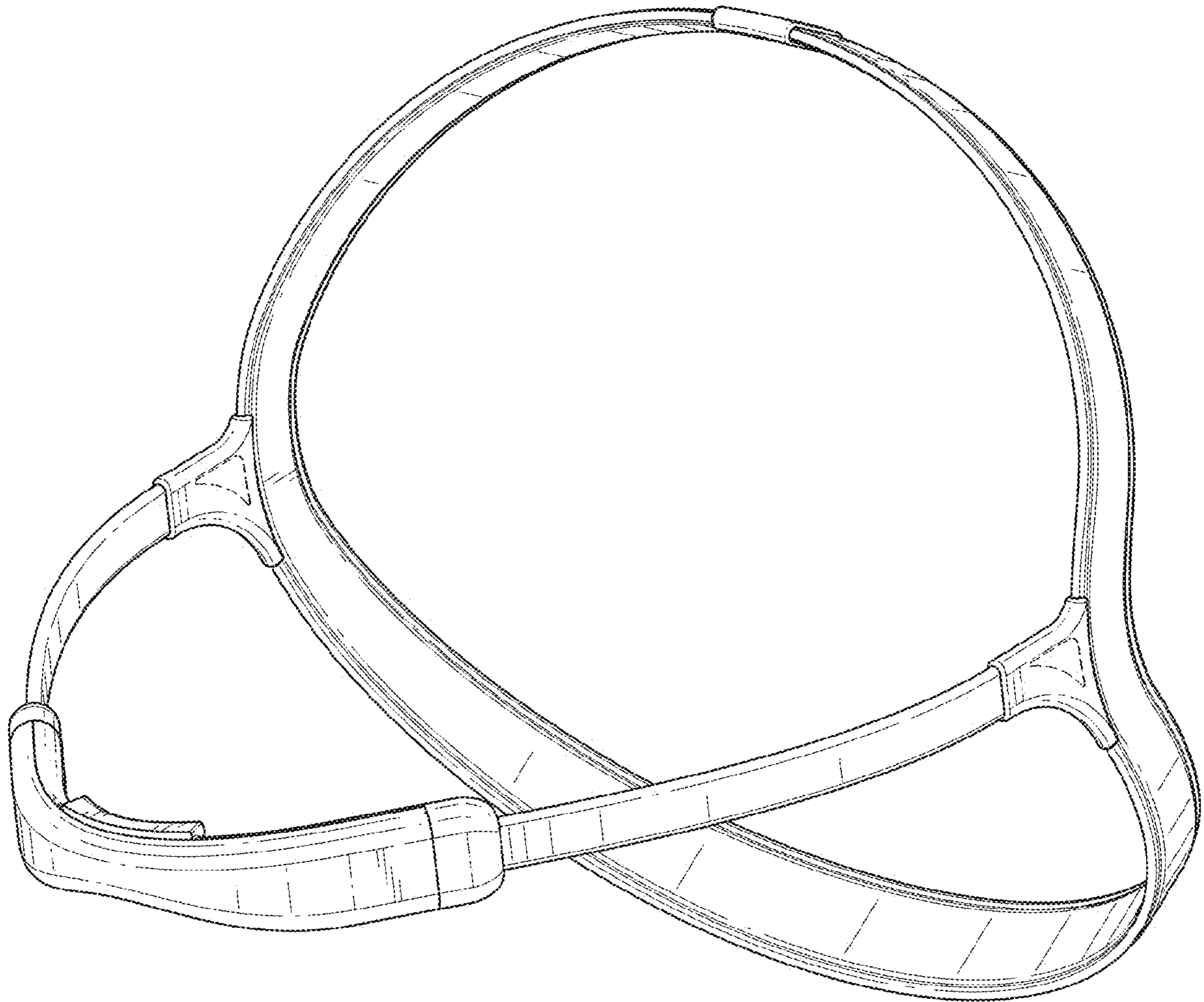


FIG. 1

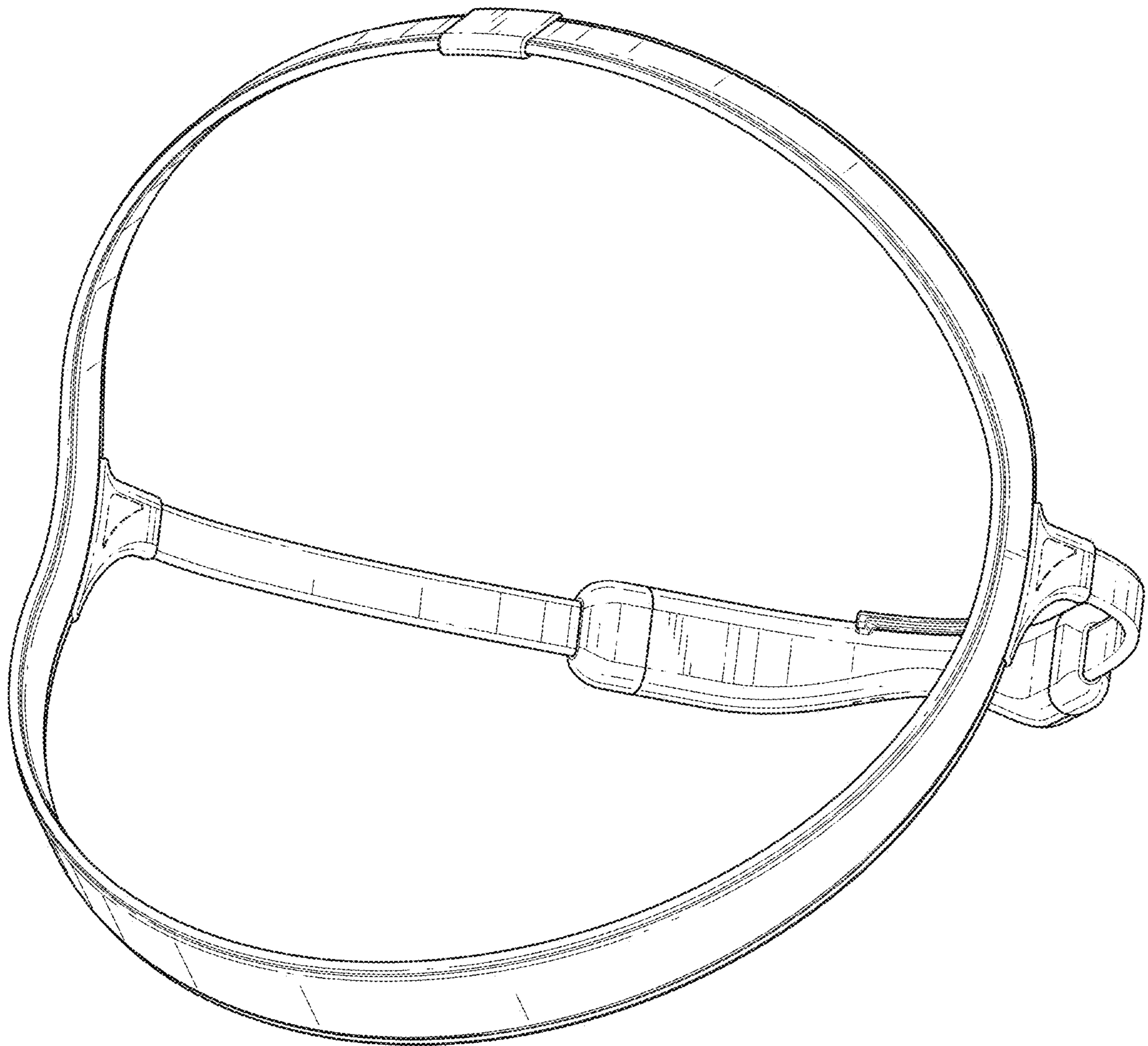


FIG. 2

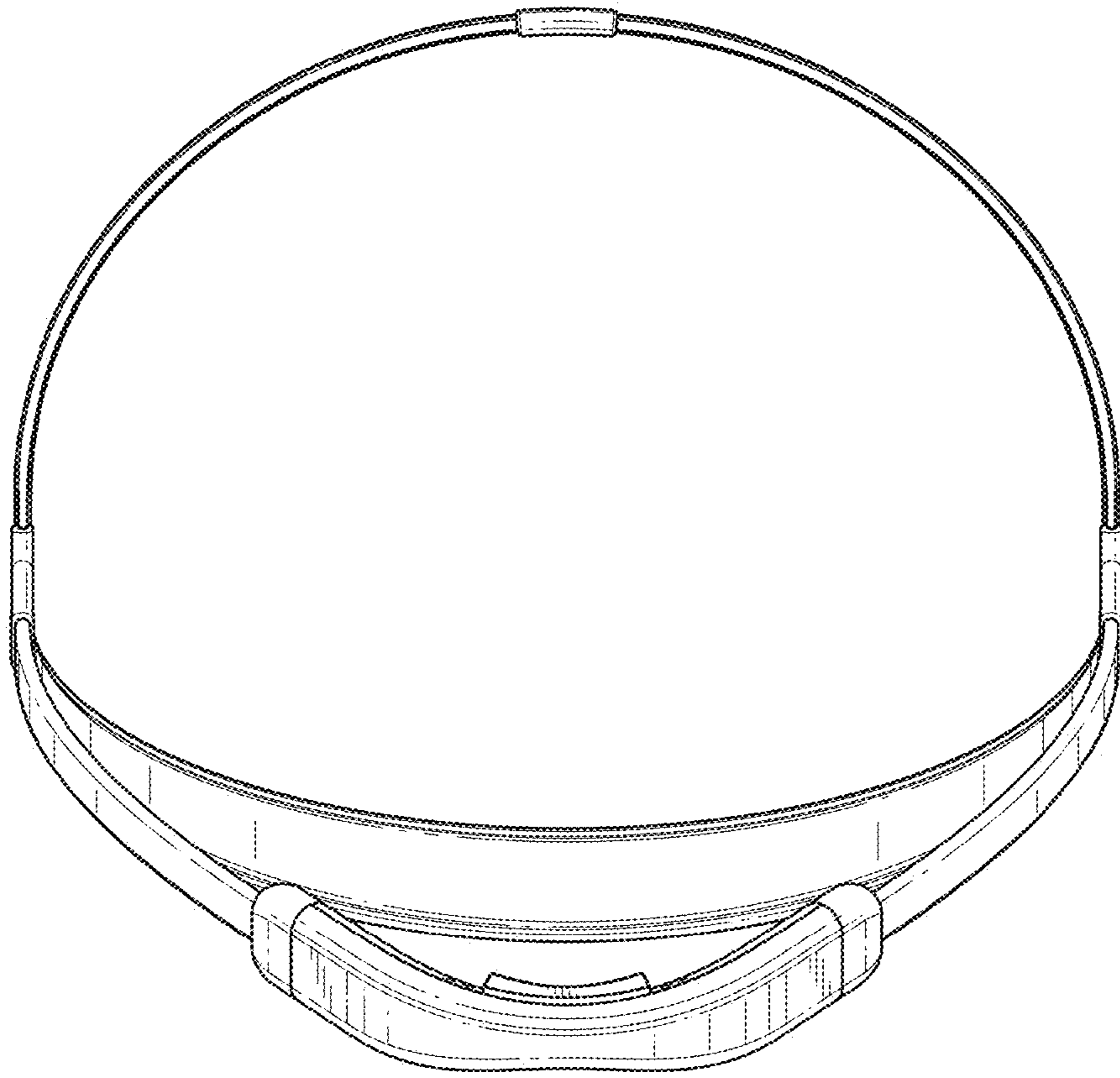


FIG. 3

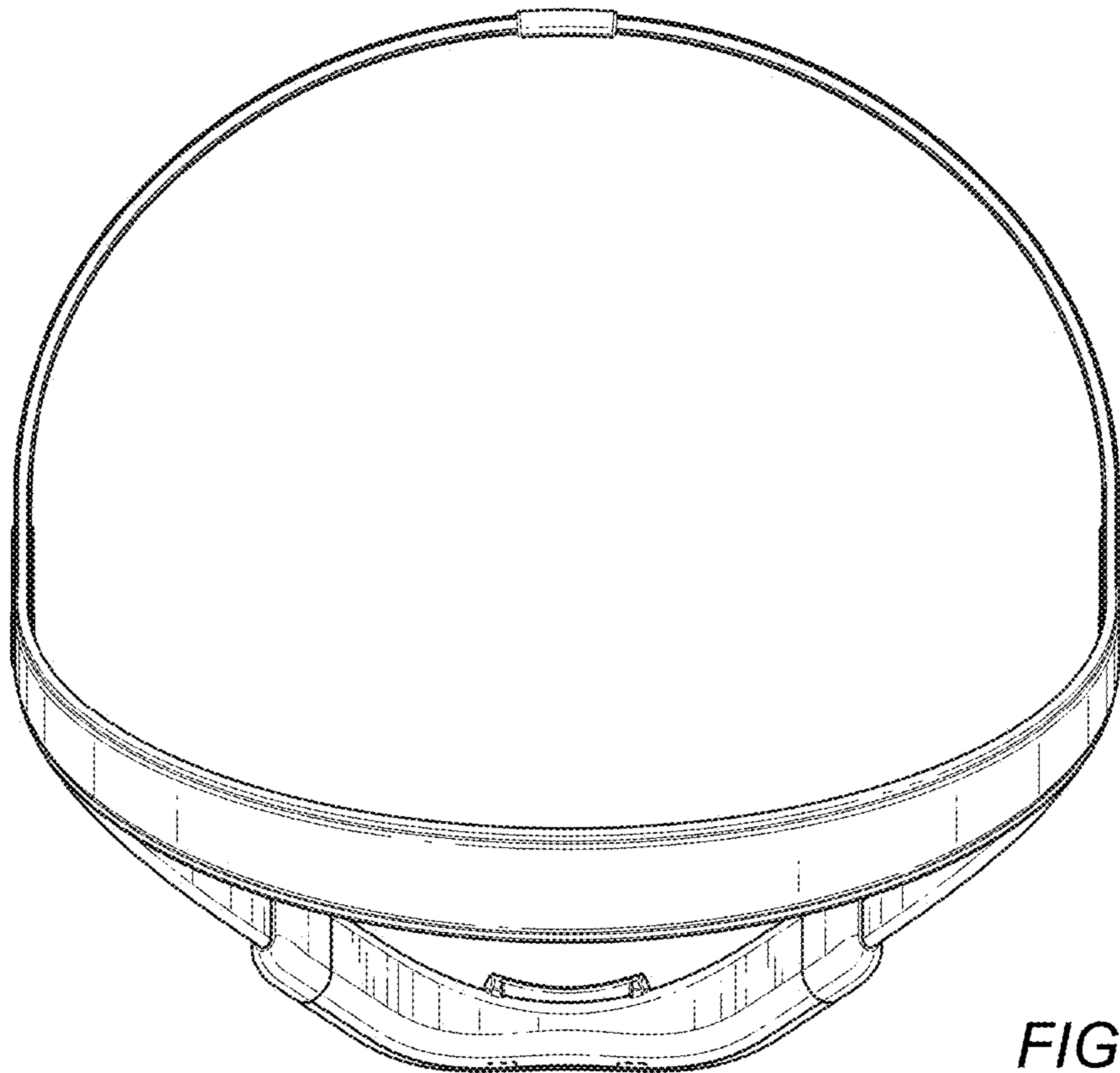


FIG. 4

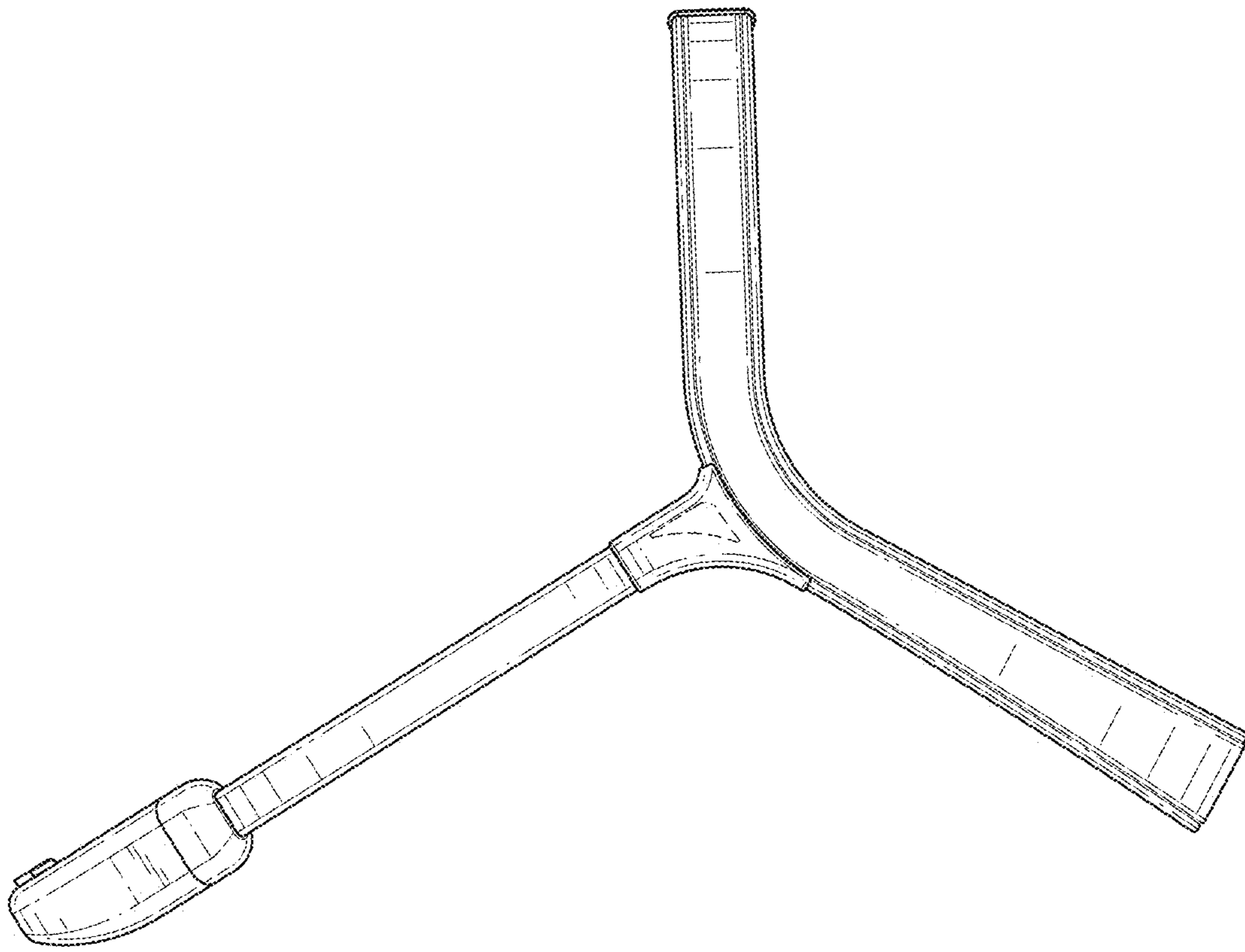


FIG. 5

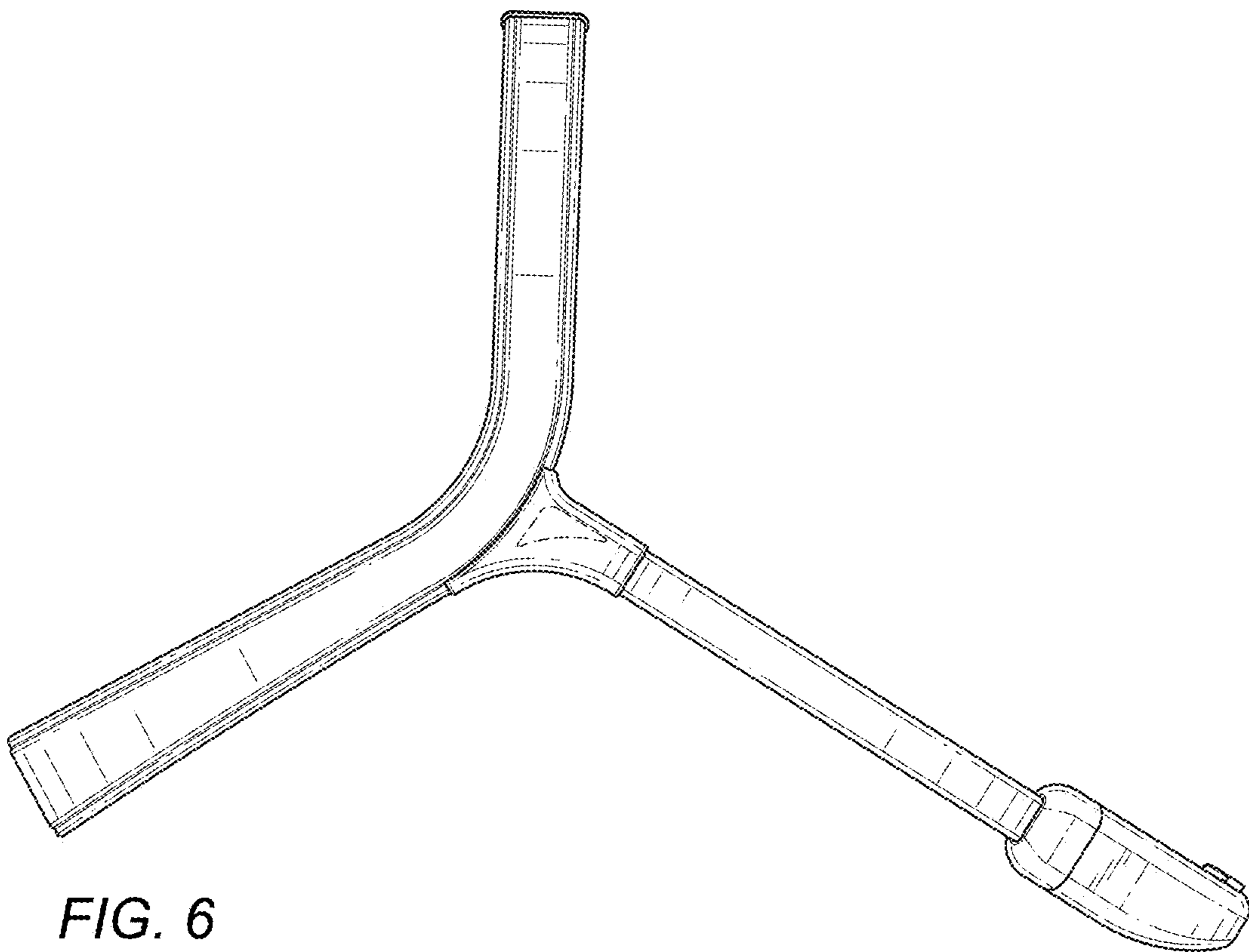


FIG. 6

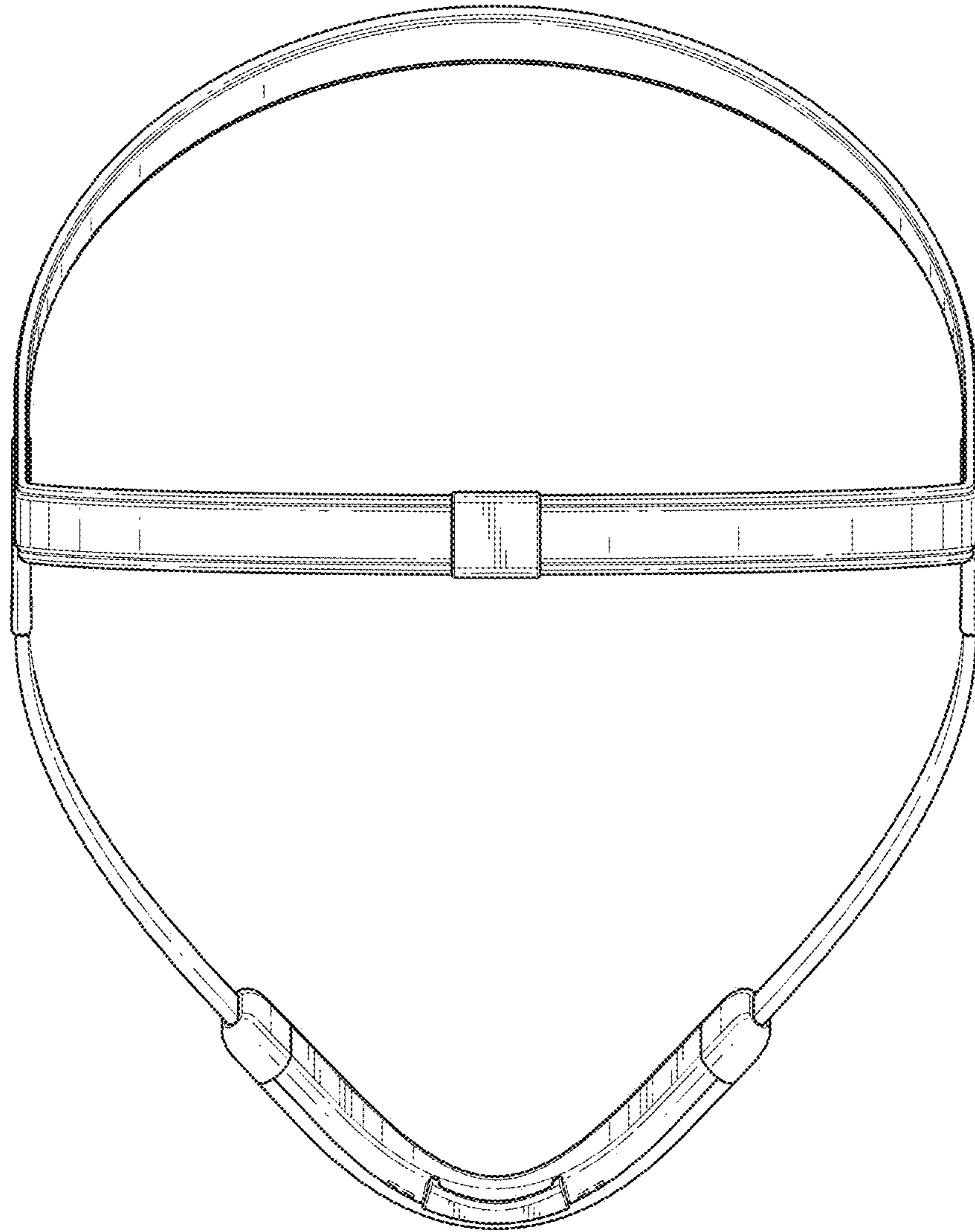


FIG. 7

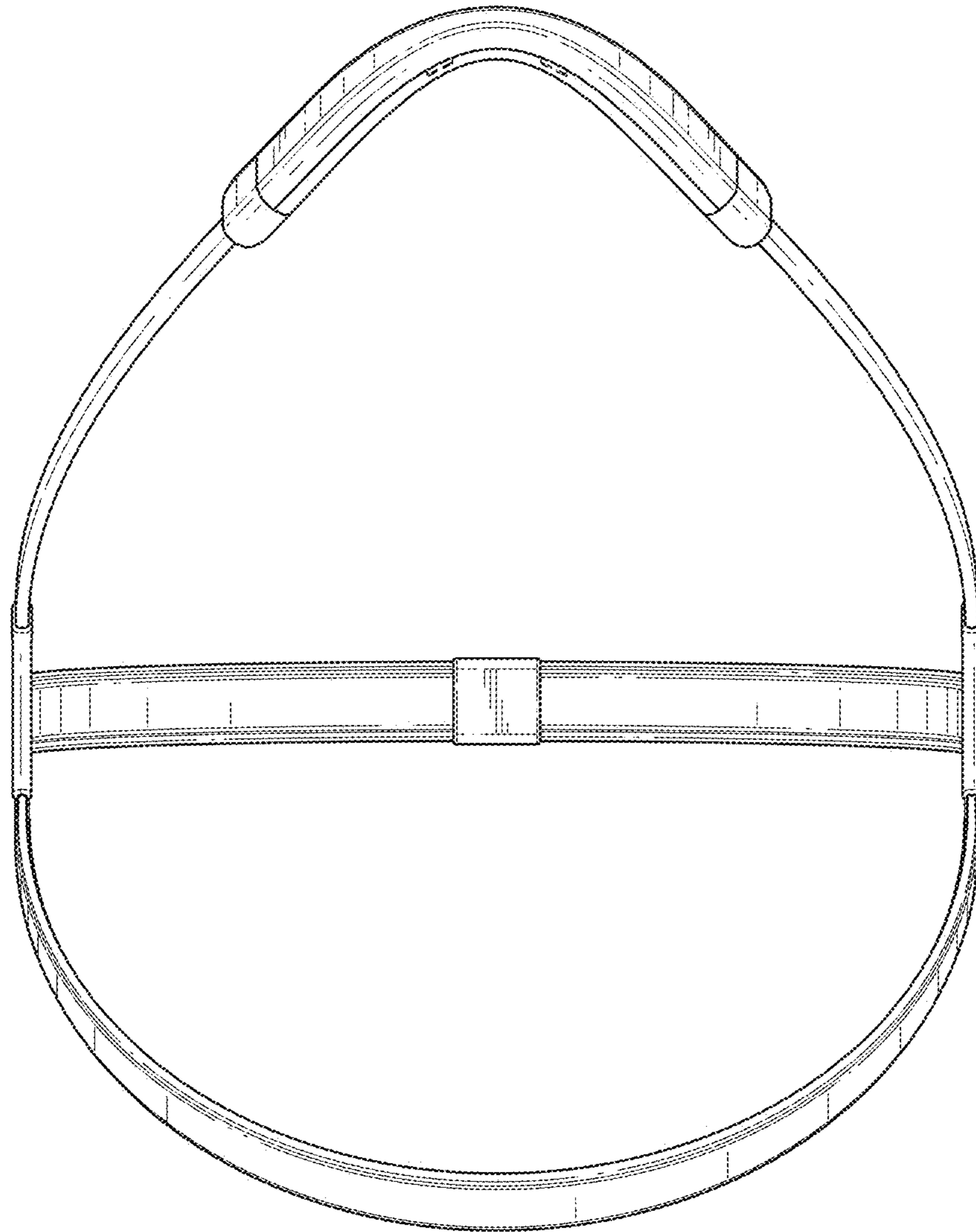


FIG. 8