



US00D955557S

(12) **United States Design Patent** (10) **Patent No.:** **US D955,557 S**
Kim (45) **Date of Patent:** **** Jun. 21, 2022**

(54) **MASK FRAME**
(71) Applicant: **SILLYMANN Co., Ltd.**, Paju-si (KR)
(72) Inventor: **Chang Ho Kim**, Seoul (KR)
(73) Assignee: **SILLYMANN CO., LTD.**, Paju-si (KR)
(**) Term: **15 Years**

2020/0230342 A1* 7/2020 Cho A62B 7/10
2020/0391057 A1* 12/2020 Thompson A62B 18/025
2021/0307414 A1* 10/2021 Korathu-Larson
A41D 13/1107
2021/0346730 A1* 11/2021 Gray A62B 18/02
2021/0346732 A1* 11/2021 Tu A62B 18/025
2021/0379423 A1* 12/2021 Howell A62B 18/025
2022/0047896 A1* 2/2022 Salvino A62B 18/025

(21) Appl. No.: **29/751,220**
(22) Filed: **Sep. 18, 2020**
(51) **LOC (13) Cl.** **29-02**
(52) **U.S. Cl.**
USPC **D24/110.1**; D29/108
(58) **Field of Classification Search**
USPC D24/110, 110.1–110.6; D29/108
CPC . A41D 13/11; A41D 13/1107; A41D 13/1115;
A41D 13/1123; A41D 13/113; A41D
13/1138; A41D 13/1146; A41D 13/1153;
A41D 13/1161; A41D 13/1169; A41D
13/1176; A61M 16/06; A62B 18/00;
A62B 18/02; A62B 18/025; A62B 23/00
See application file for complete search history.

FOREIGN PATENT DOCUMENTS

CN 303747826 * 7/2016
EM 008471627-0001 * 5/2021

* cited by examiner

Primary Examiner — Richard Kearney
Assistant Examiner — Michael Hoffman
(74) *Attorney, Agent, or Firm* — Goldilocks Zone IP Law

(57) **CLAIM**

The ornamental design for a mask frame, as shown and described.

DESCRIPTION

FIG. 1 is a perspective view of mask frame, showing my new design;
FIG. 2 is a front view of the mask frame of FIG. 1;
FIG. 3 is a rear view of the mask frame of FIG. 1;
FIG. 4 is a top view of the mask frame of FIG. 1;
FIG. 5 is a bottom view of the mask frame of FIG. 1;
FIG. 6 is a right view of the mask frame of FIG. 1;
FIG. 7 is a left view of the mask frame of FIG. 1; and,
FIG. 8 is a perspective view of the mask frame of FIG. 1 with mask attached.

The features shown in broken lines in the FIG. 8 are for illustrating environmental structure and form no part of the claimed design.

(56) **References Cited**

U.S. PATENT DOCUMENTS

5,651,810 A * 7/1997 Flaherty A62B 18/088
55/DIG. 35
D777,905 S * 1/2017 Wolf D24/110.4
D849,934 S * 5/2019 Collazo D24/110.4
D894,394 S * 8/2020 Huang D24/162
2010/0269831 A1* 10/2010 Skov A62B 18/10
128/206.15
2016/0082296 A1* 3/2016 Sung A62B 18/02
128/206.12

1 Claim, 7 Drawing Sheets

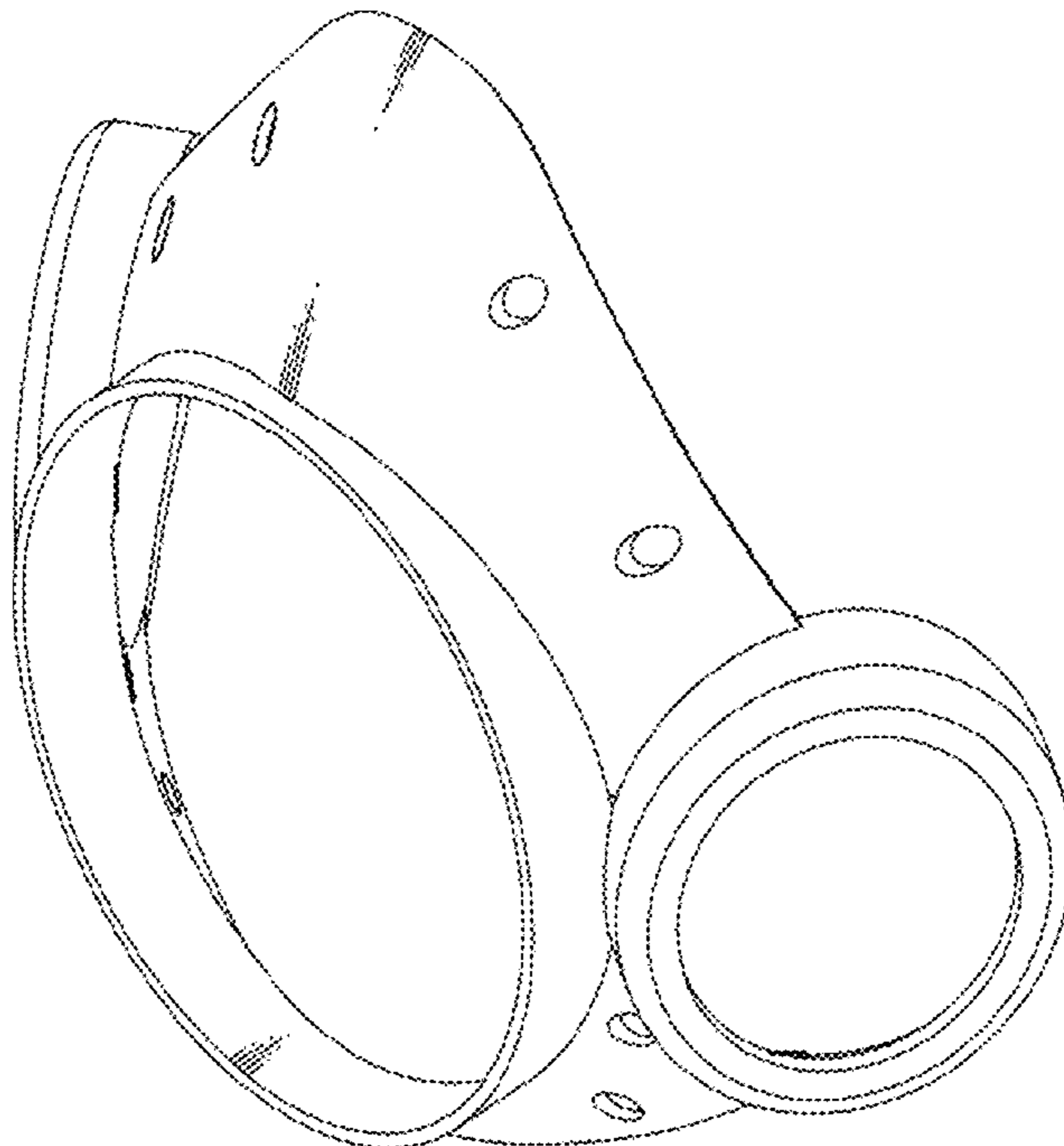


FIG. 1

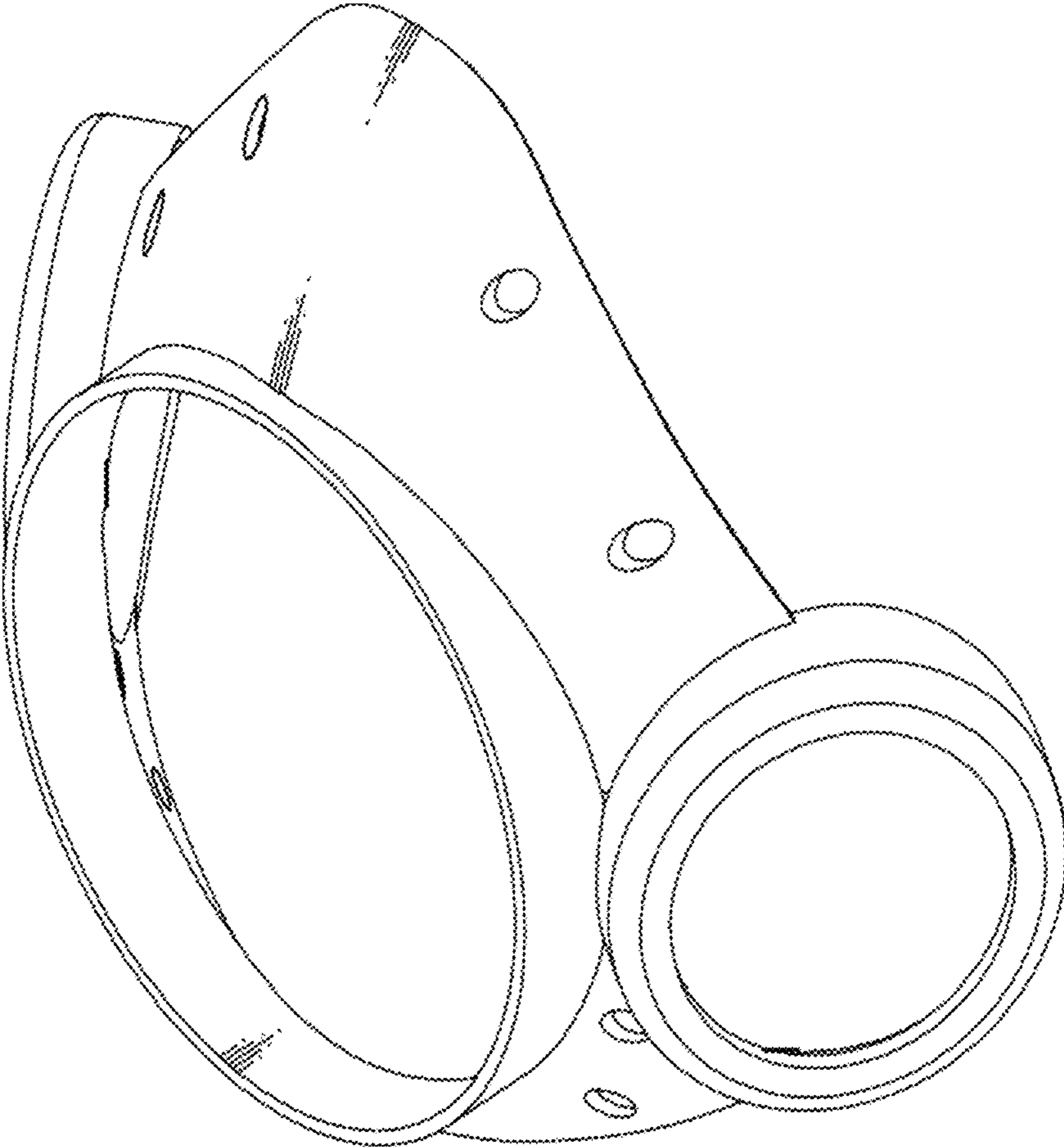


FIG. 2

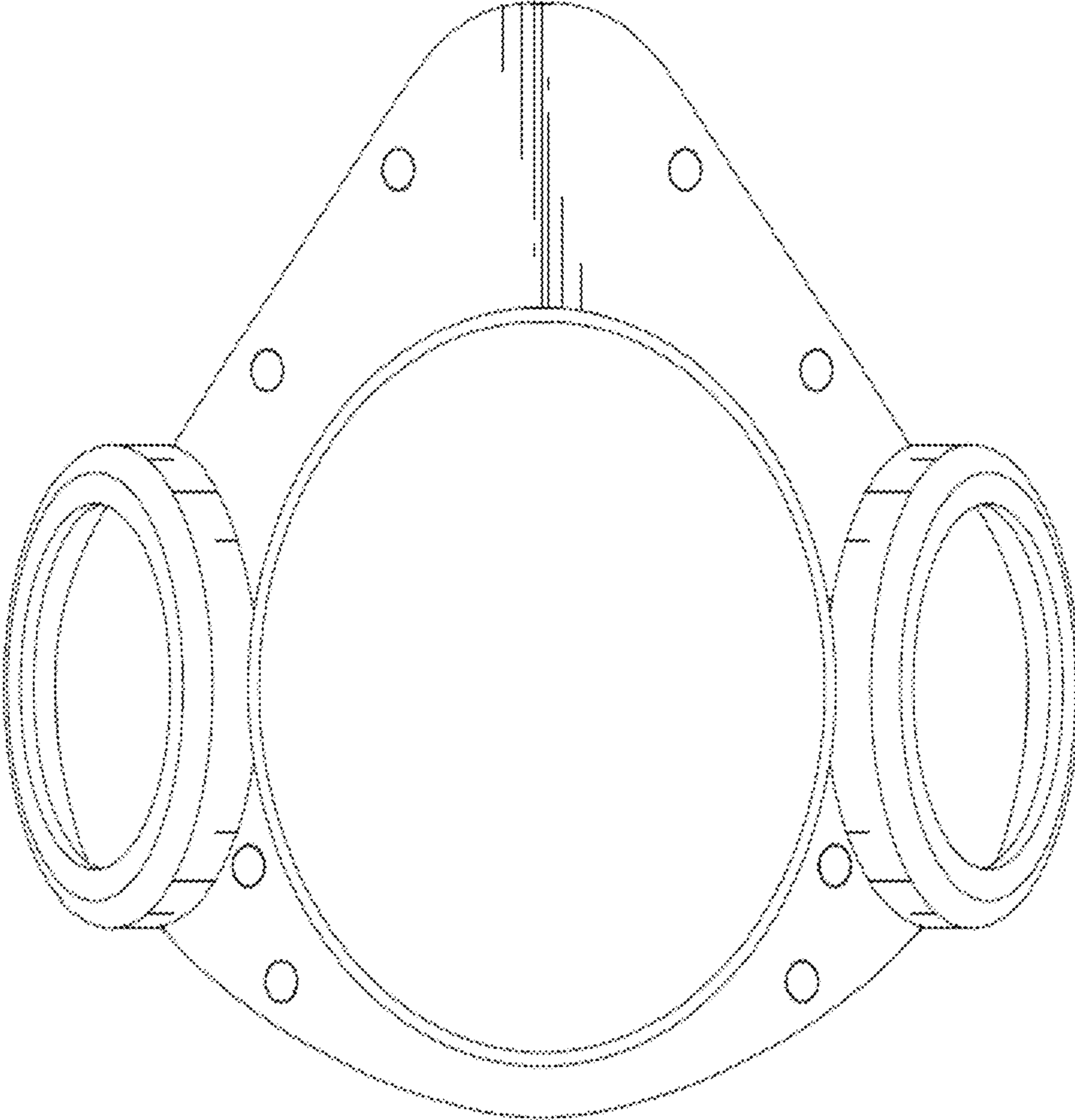


FIG. 3

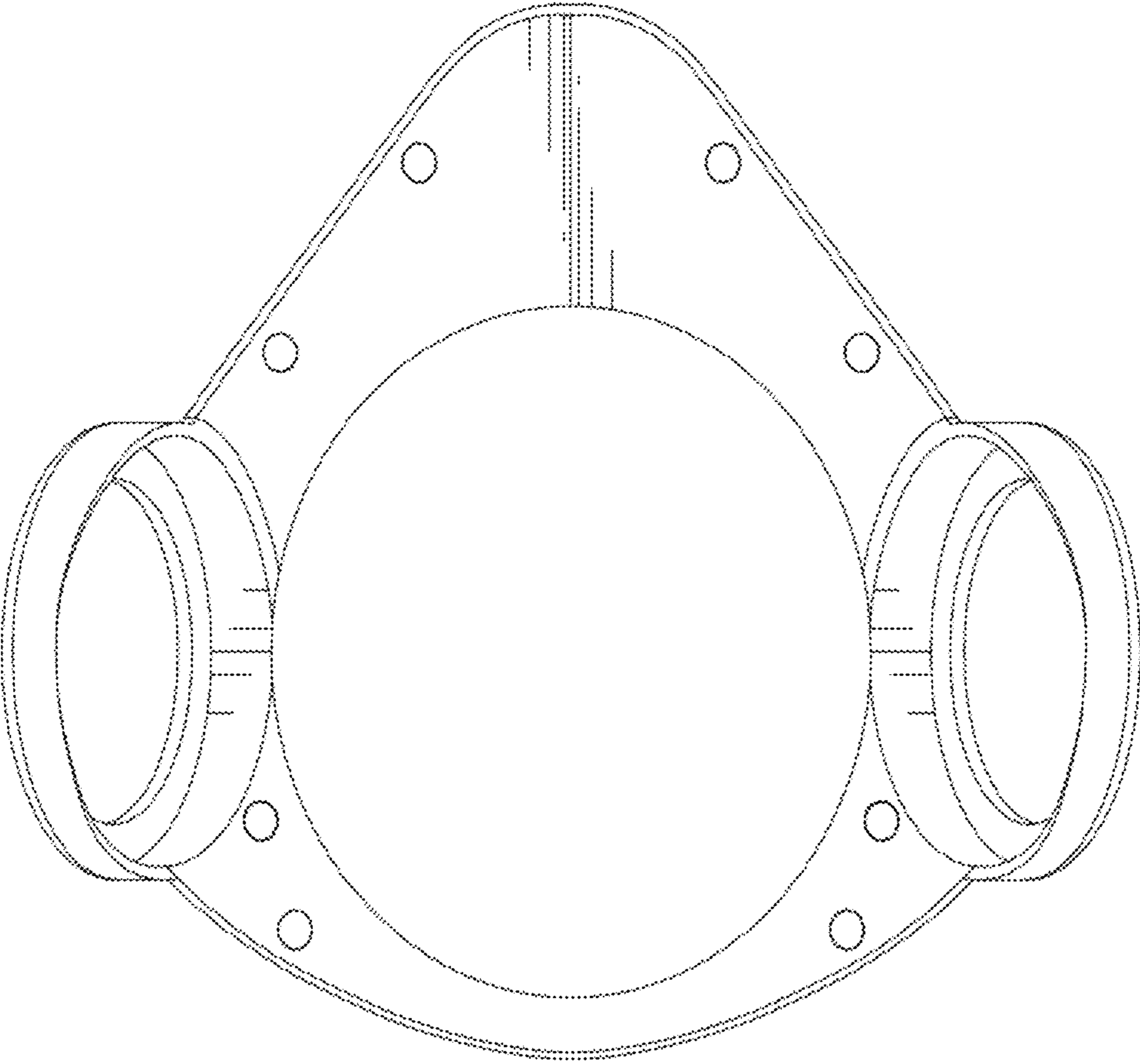


FIG. 4

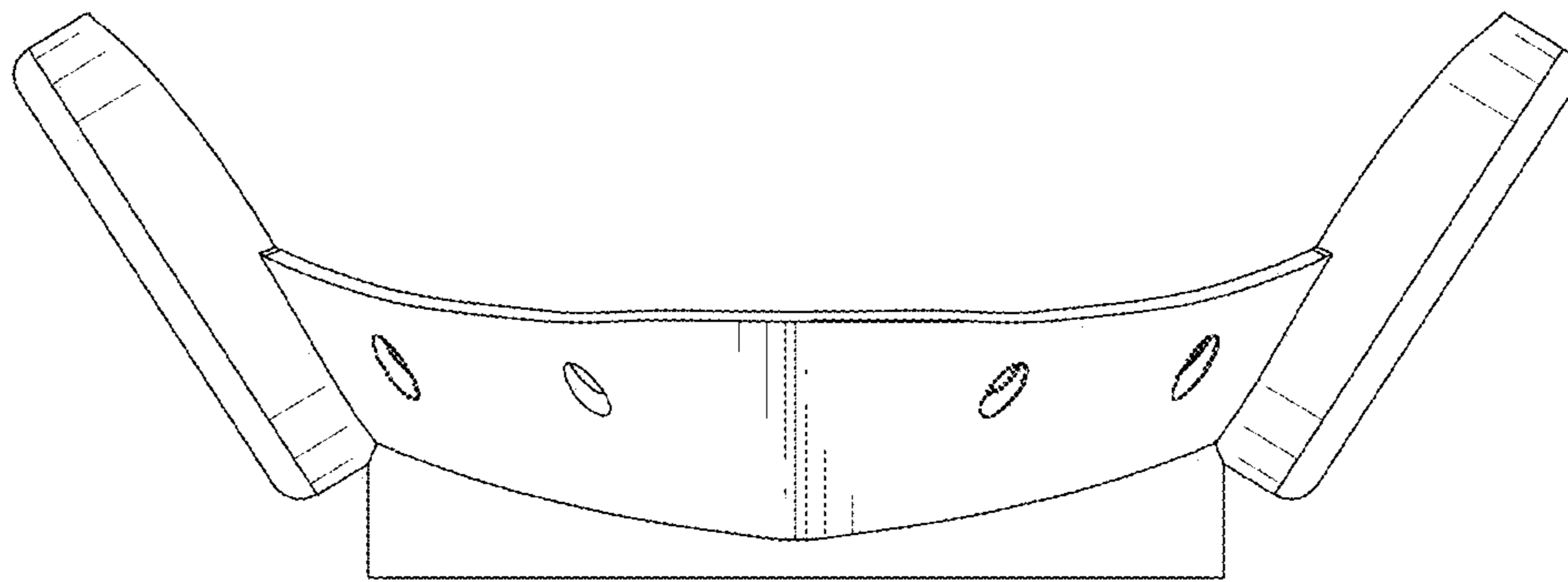


FIG. 5

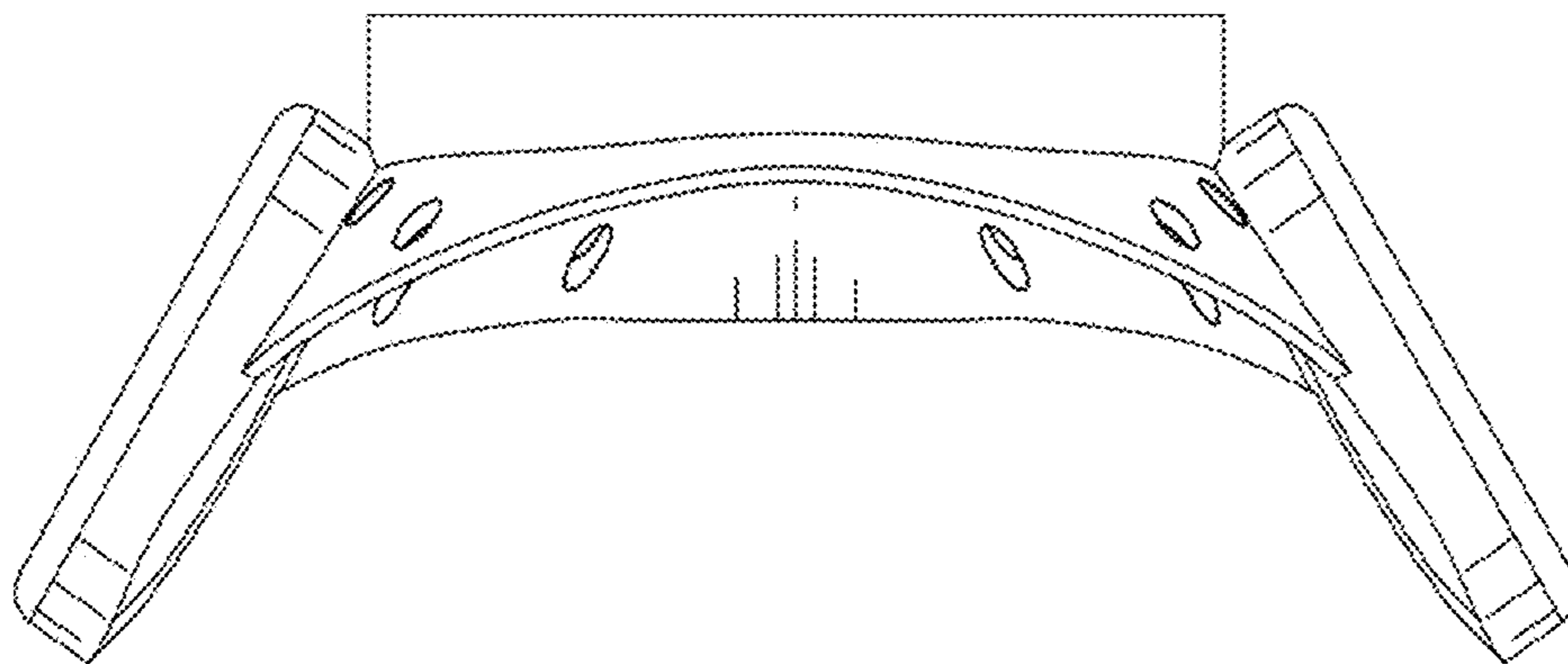


FIG. 6

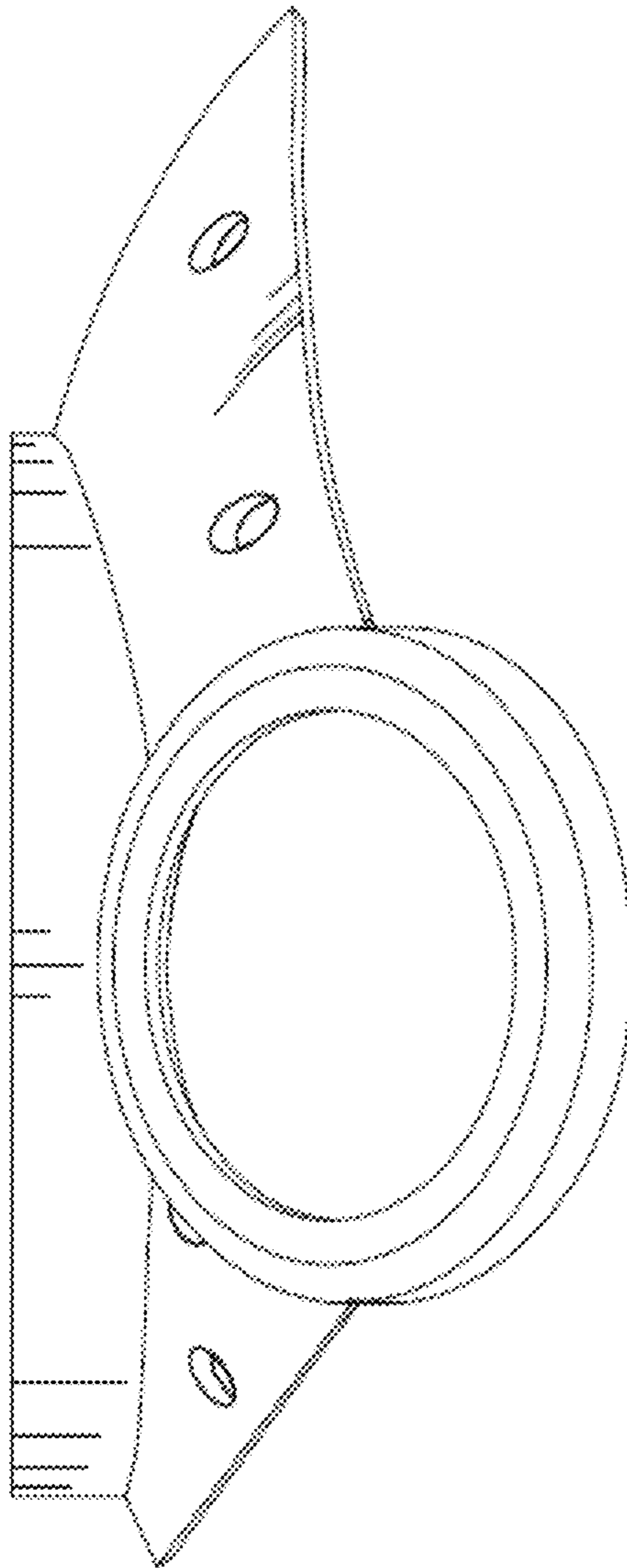


FIG. 7

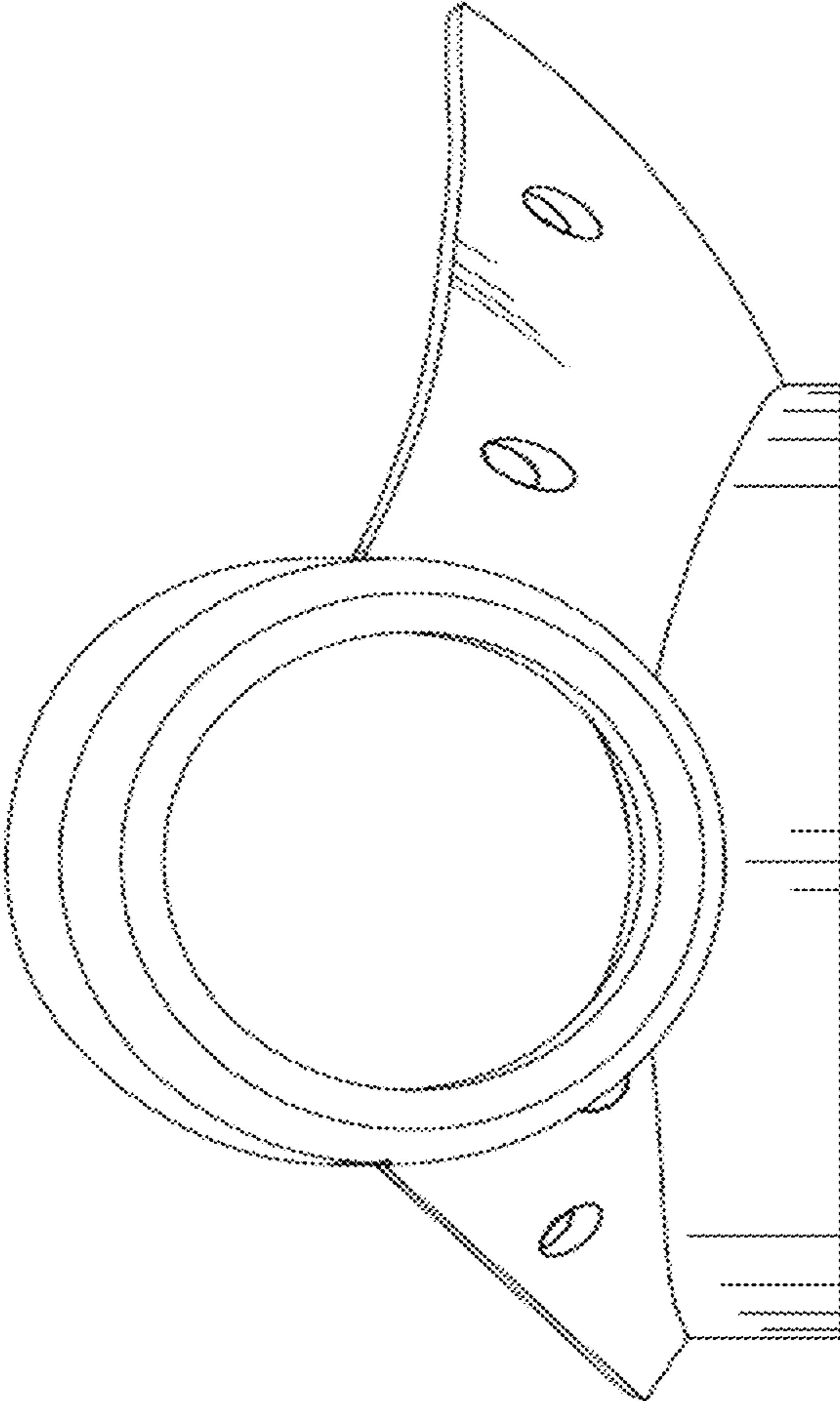


FIG. 8

