



US00D95552S

(12) **United States Design Patent**  
**Puhalla et al.**

(10) **Patent No.:** **US D955,552 S**  
(45) **Date of Patent:** **\*\* Jun. 21, 2022**

- (54) **INHALANT DISPENSER**
- (71) Applicant: **Loop Laboratories, LLC**, Chicago, IL (US)
- (72) Inventors: **D. Matthew Puhalla**, Glen Ellyn, IL (US); **Scott Harold Wilson**, Chicago, IL (US)
- (73) Assignee: **Loop Laboratories, LLC**, Chicago, IL (US)
- (\*\*) Term: **15 Years**
- (21) Appl. No.: **29/670,253**
- (22) Filed: **Nov. 14, 2018**
- (51) **LOC (13) Cl.** ..... **29-02**
- (52) **U.S. Cl.**  
USPC ..... **D24/110**
- (58) **Field of Classification Search**  
USPC ..... D24/107, 108, 110, 110.1–110.5, 127, D24/164; D29/108  
CPC ..... A61M 15/0085; A61M 15/0005; A61M 11/005; A61M 11/00; A61M 11/02; A61M 11/04; A61M 5/087; A61M 5/0871; A61M 5/091; A61M 5/097; A61M 15/00; A61M 15/0065; A61M 15/0091; A61M 15/0021; A61M 15/0026; A61M 15/008; A61M 15/007; A63B 23/18  
See application file for complete search history.

- D629,889 S \* 12/2010 Zuyderhoudt ..... D24/110.5
- D657,446 S \* 4/2012 Herfort ..... D24/110
- D657,447 S \* 4/2012 Herfort ..... D24/110
- D681,803 S \* 5/2013 Sheehy ..... D24/110
- D681,804 S \* 5/2013 Sheehy ..... D24/110
- D772,394 S \* 11/2016 Wang ..... D24/110

(Continued)

**FOREIGN PATENT DOCUMENTS**

GB 2470188 11/2010

*Primary Examiner* — Sheryl Lane

*Assistant Examiner* — Aula Soroush

(74) *Attorney, Agent, or Firm* — Neal, Gerber & Eisenberg LLP

(57) **CLAIM**

The ornamental design for an inhalant dispenser, as shown and described.

**DESCRIPTION**

FIG. 1 is a perspective view of an inhalant dispenser.  
 FIG. 2 is a front view of the inhalant dispenser shown in FIG. 1.  
 FIG. 3 is a rear view of the inhalant dispenser shown in FIG. 1, opposite the front view shown in FIG. 2.  
 FIG. 4 is a side view of the inhalant dispenser shown in FIG. 1.  
 FIG. 5 is a side view of the inhalant dispenser shown in FIG. 1, opposite of the side shown in FIG. 4.  
 FIG. 6 is a top view of the inhalant dispenser shown in FIG. 1.  
 FIG. 7 is a bottom view of the inhalant dispenser shown in FIG. 1, opposite the top view shown in FIG. 6; and,  
 FIG. 8 is a partially exploded view of the inhalant dispenser shown in FIG. 1.

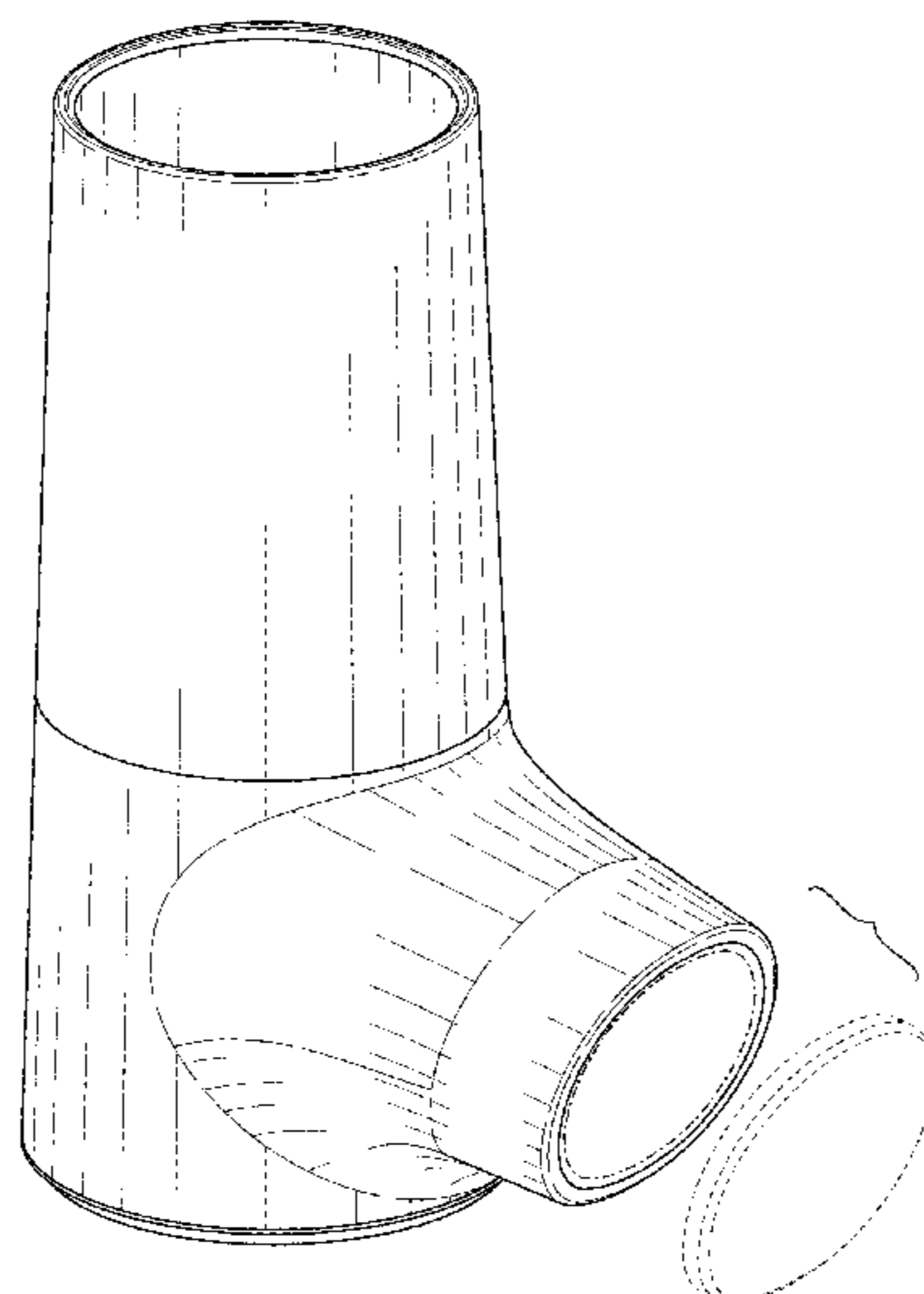
The dot-dash broken lines represent the bounds of the claimed design while all other broken lines represent environmental subject matter; the broken lines form no part of the claimed design.

**1 Claim, 6 Drawing Sheets**

(56) **References Cited**

**U.S. PATENT DOCUMENTS**

- D207,143 S \* 3/1967 Goodwin ..... D24/110
- D291,829 S \* 9/1987 Torongo ..... D24/110
- D416,998 S \* 11/1999 Hodson ..... D24/110
- D556,896 S \* 12/2007 Logan ..... D24/110
- D610,249 S \* 2/2010 Robinson ..... D24/110
- D629,504 S \* 12/2010 Zuyderhoudt ..... D24/110
- D629,507 S \* 12/2010 Zuyderhoudt ..... D24/110.5
- D629,508 S \* 12/2010 Zuyderhoudt ..... D24/110.5



(56)

**References Cited**

U.S. PATENT DOCUMENTS

D772,395	S	*	11/2016	Walsh	.....	D24/110
D852,947	S	*	7/2019	Dethlefs	.....	D24/110
D853,555	S	*	7/2019	Oliveras	.....	D24/110
D863,531	S	*	10/2019	Jackson	.....	D24/110
D863,533	S	*	10/2019	Jackson	.....	D24/110
D871,567	S	*	12/2019	Pieters	.....	D24/110
2002/0000225	A1		1/2002	Schuler et al.		
2007/0181120	A1		8/2007	Wright et al.		
2010/0192946	A1		8/2010	OI et al.		

\* cited by examiner

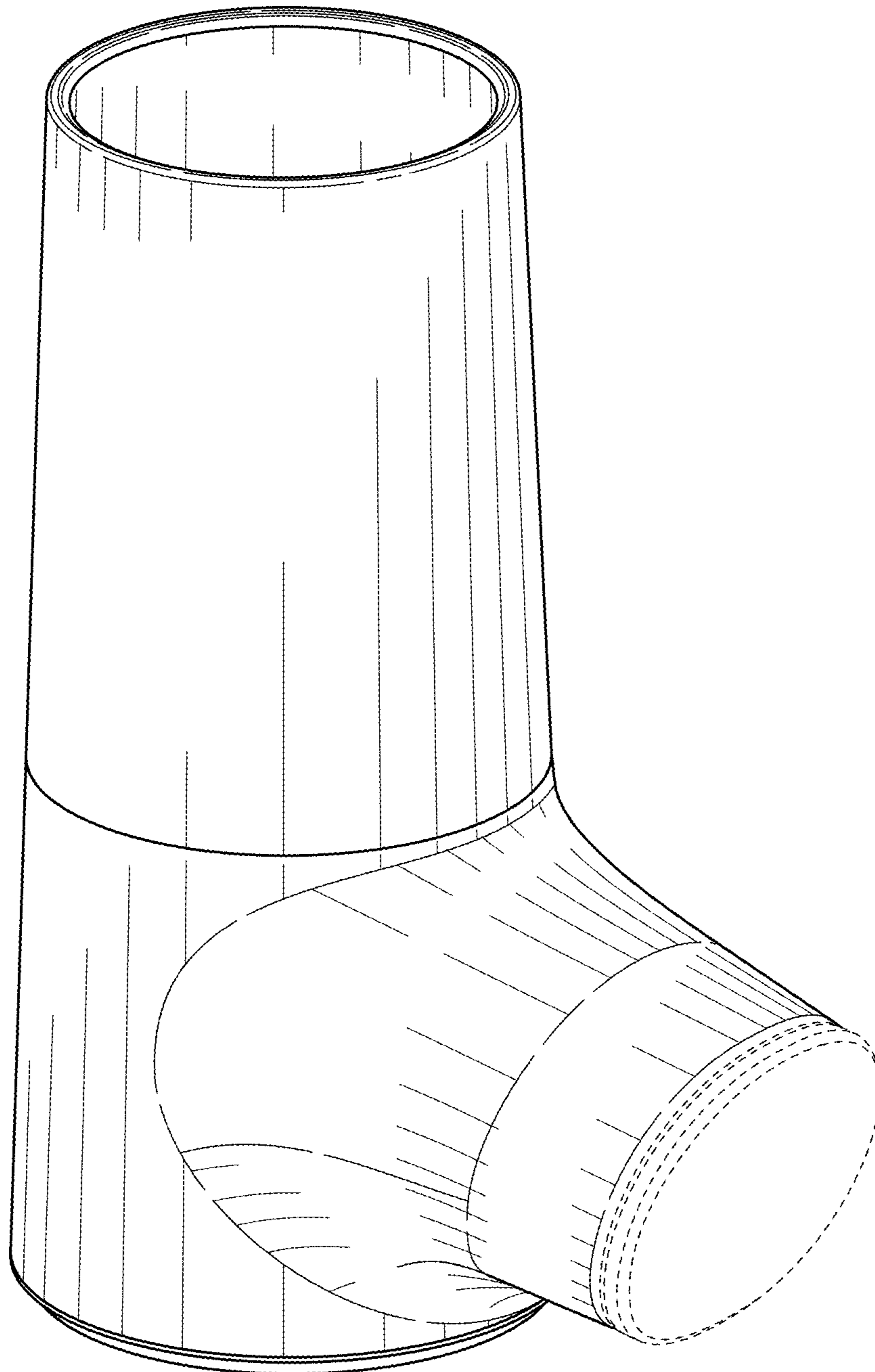


FIG. 1

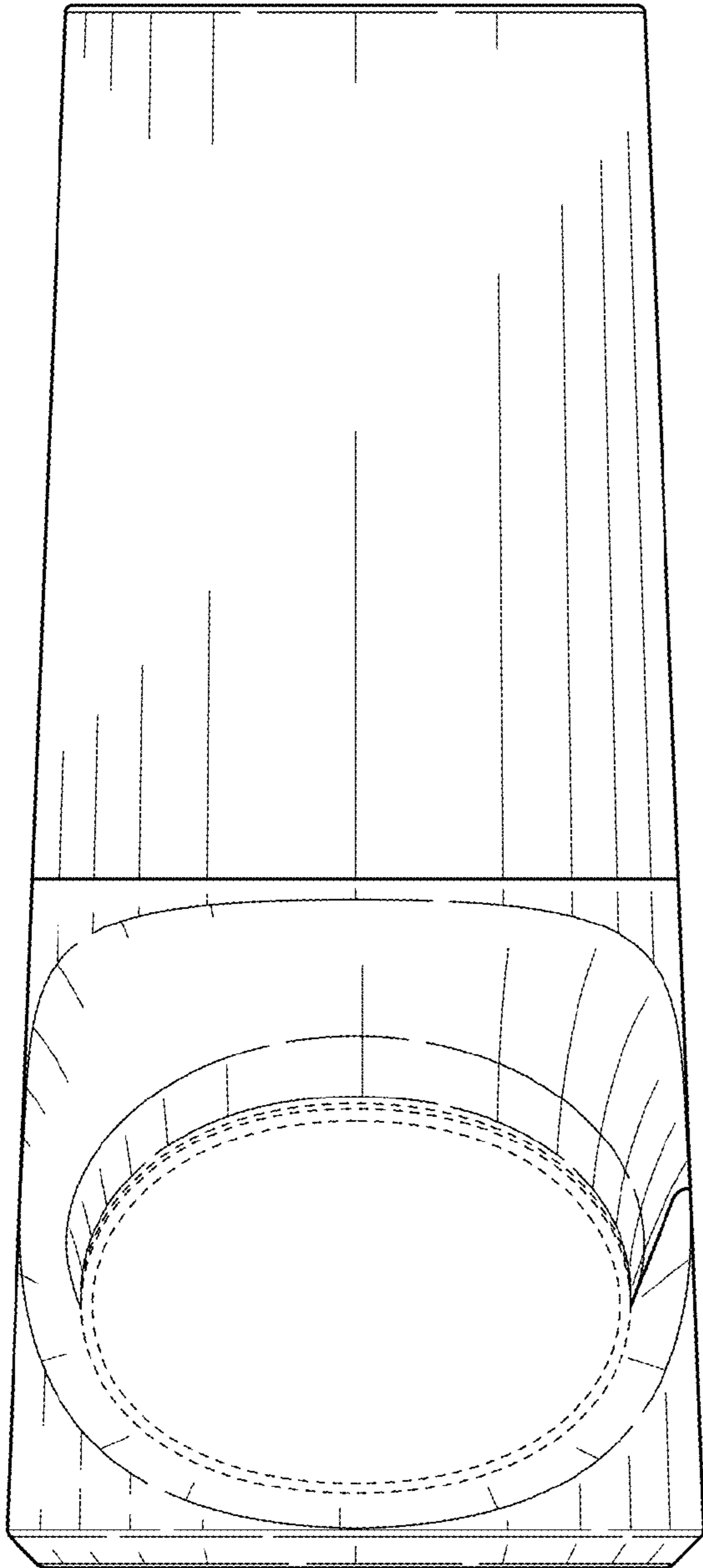


FIG. 2

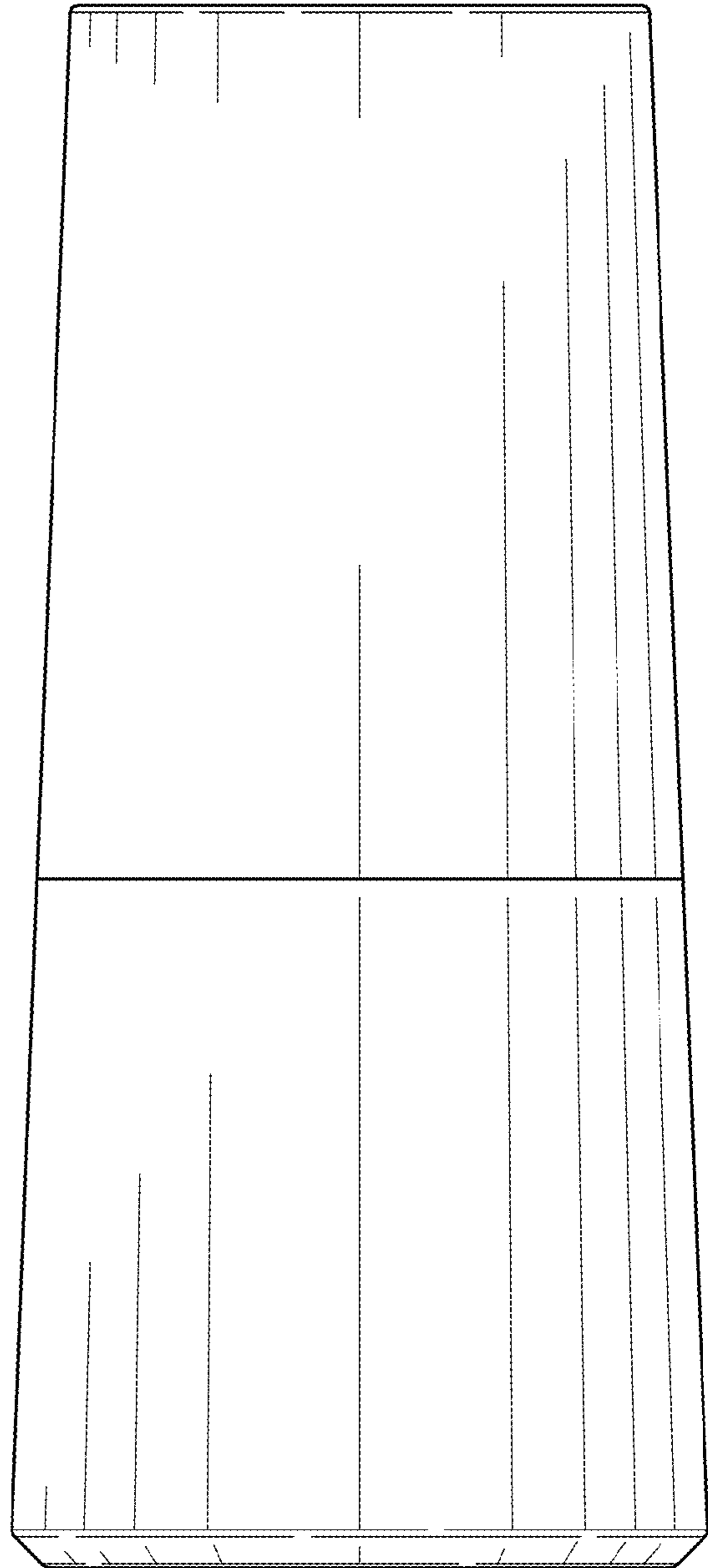


FIG. 3

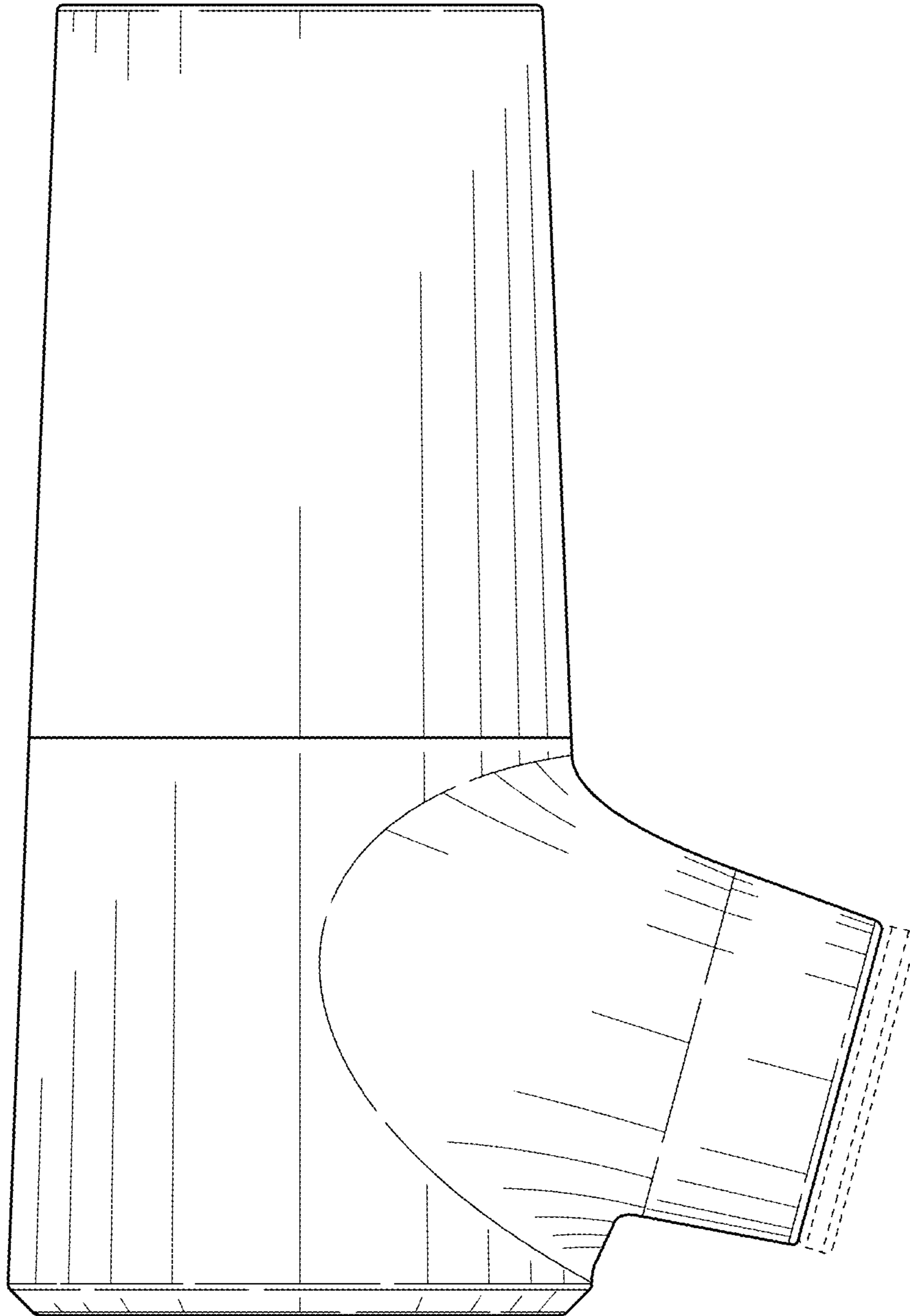


FIG. 4

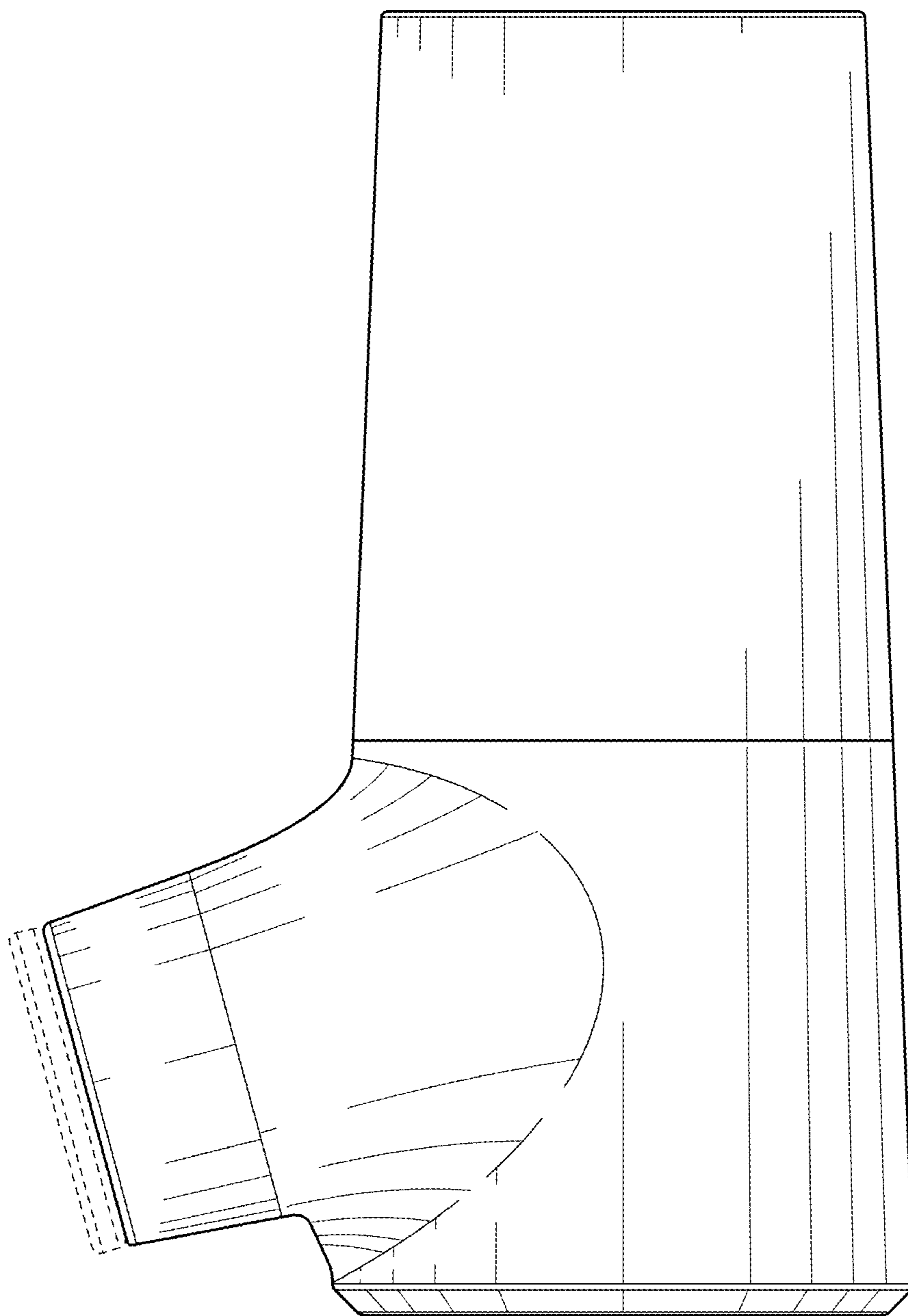


FIG. 5



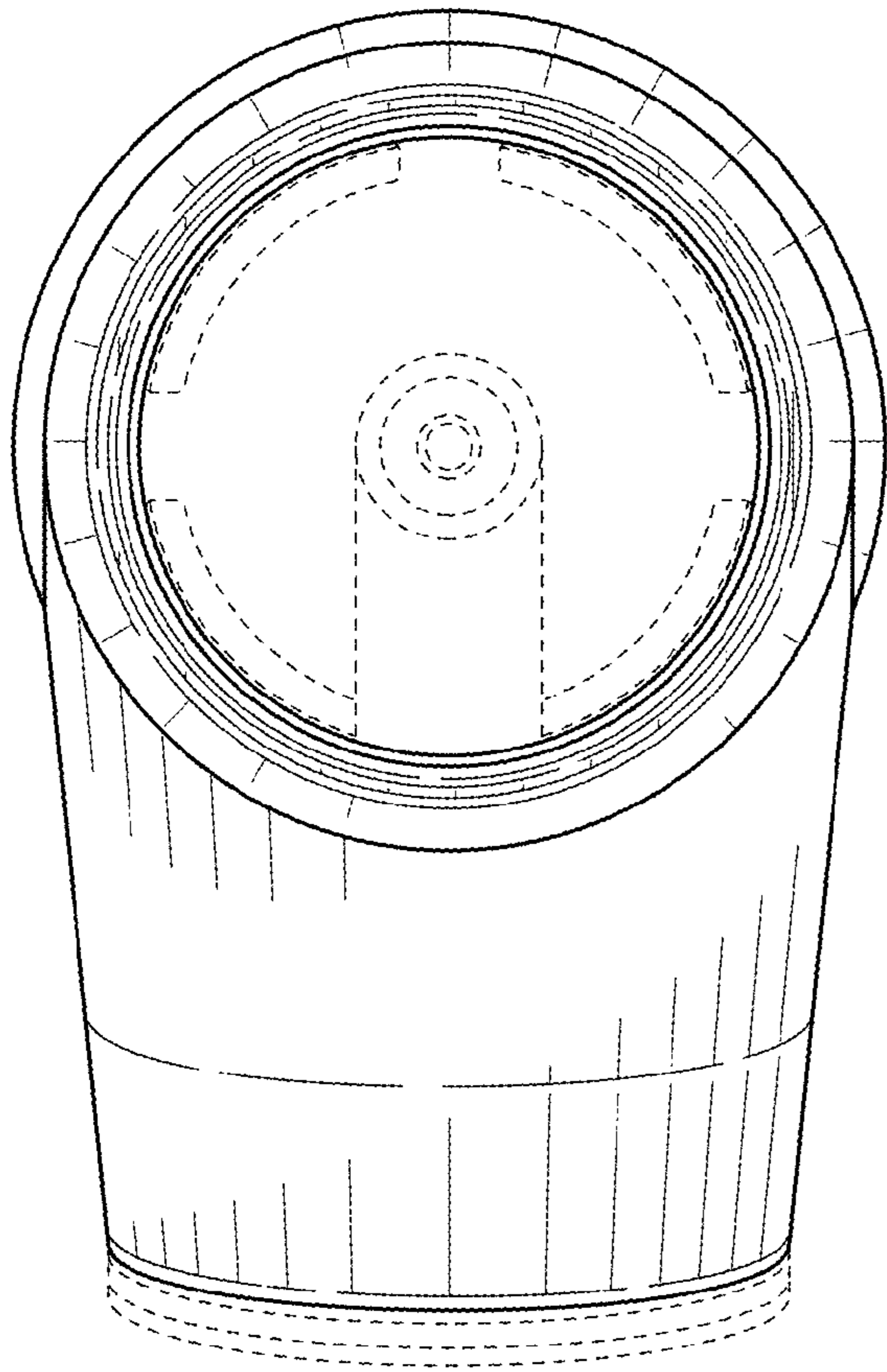


FIG. 6

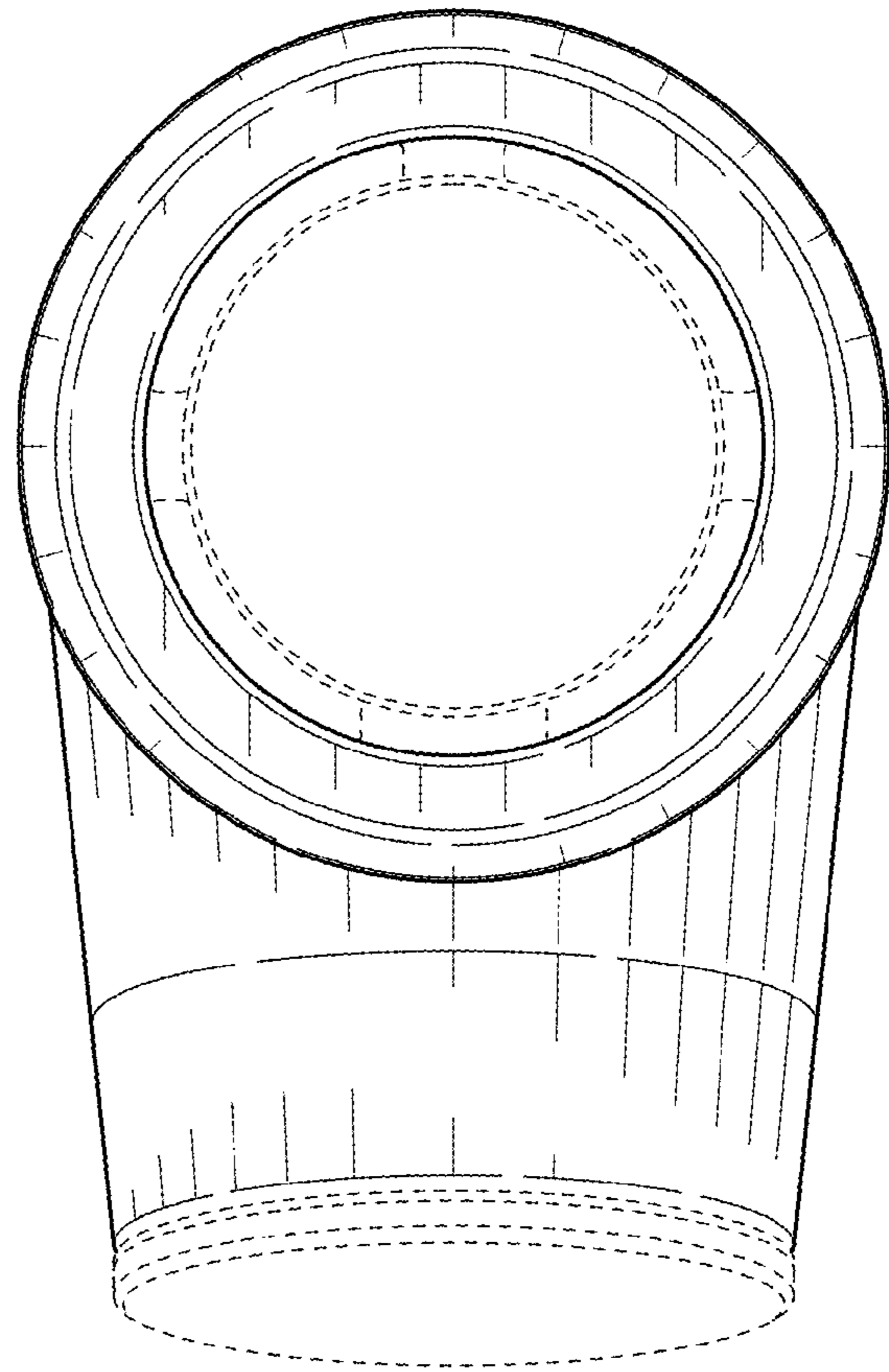


FIG. 7

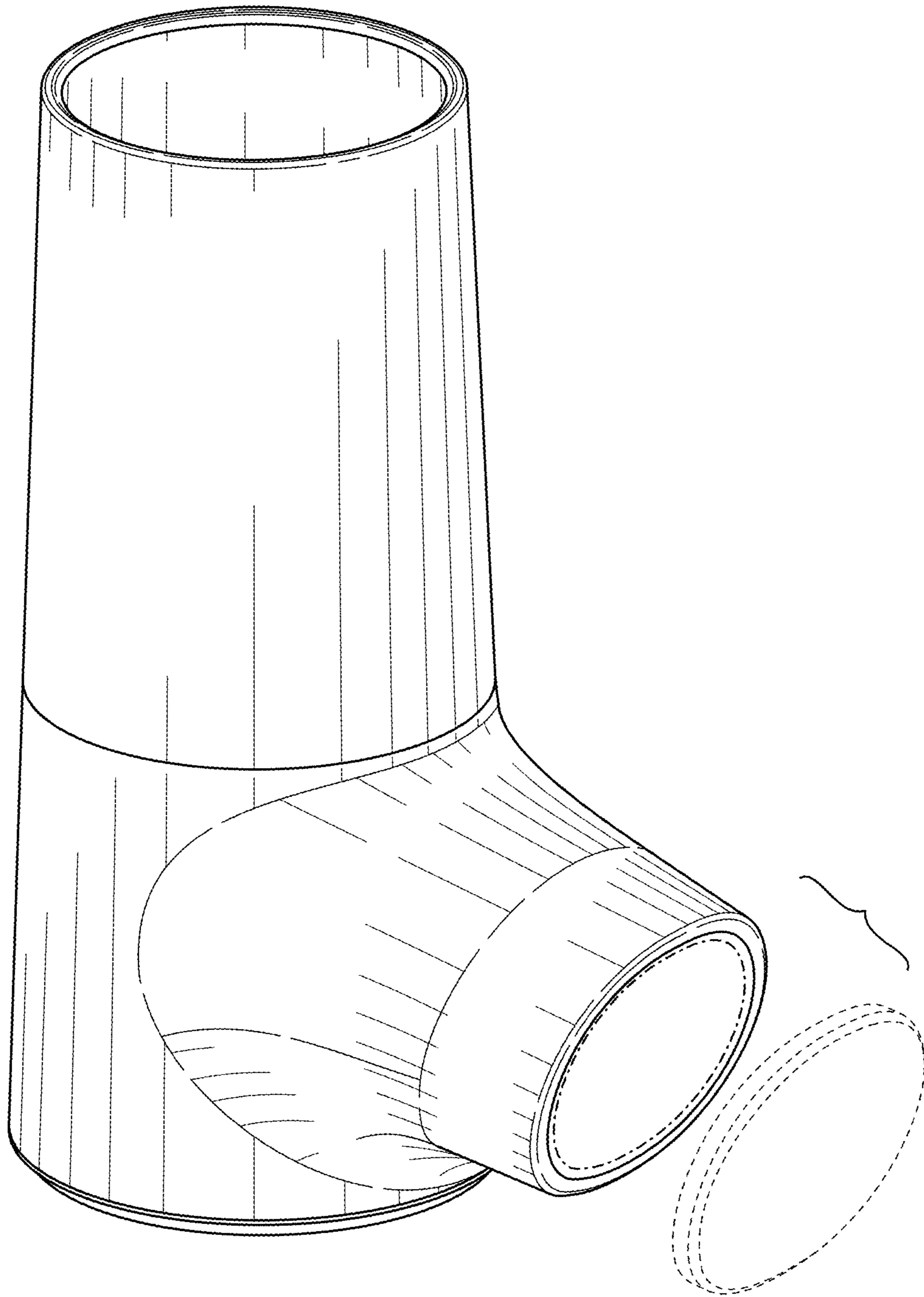


FIG. 8