



US00D95551S

(12) **United States Design Patent**
Sanders

(10) **Patent No.:** **US D955,551 S**
(45) **Date of Patent:** **** Jun. 21, 2022**

(54) **COMBINED LOW PROFILE COMPACT
RESPIRATORY FILTER AND INTERNAL
FRAME ASSEMBLY**

(71) Applicant: **JSP Limited**, Minster Lovell (GB)

(72) Inventor: **Stephen Francis Sanders**, Minster
Lovell (GB)

(73) Assignee: **JSP Limited**, Oxford (GB)

(**) Term: **15 Years**

(21) Appl. No.: **29/624,757**

(22) Filed: **Nov. 3, 2017**

(30) **Foreign Application Priority Data**

May 5, 2017 (EM) 003936079-001
May 5, 2017 (EM) 003936079-0002
May 5, 2017 (EM) 003936079-0003
Oct. 25, 2017 (EM) 004420248

(51) **LOC (13) Cl.** **29-02**

(52) **U.S. Cl.**
USPC **D24/110**

(58) **Field of Classification Search**
USPC D24/107, 108, 110, 110.1-110.5, 127,
D24/164; D29/108
CPC A61M 15/0085; A61M 15/0005; A61M
11/005; A61M 11/00; A61M 11/02;
A61M 11/04; A61M 5/087; A61M
5/0871; A61M 5/091; A61M 5/097;
A61M 15/00; A61M 15/0065; A61M
15/0091; A61M 15/0021; A61M 15/0026;
A61M 15/008; A61M 15/007; A63B
23/18

See application file for complete search history.

(56) **References Cited**

U.S. PATENT DOCUMENTS

D645,220 S * 9/2011 Yang D34/10
8,590,532 B2 * 11/2013 Forbes A62B 18/02
128/205.27

D746,437 S * 12/2015 Blomberg D24/110.1
D746,438 S * 12/2015 Dwyer D24/110.1
9,440,775 B2 * 9/2016 Dwyer A62B 23/025
D786,443 S * 5/2017 Blomberg D24/162
D795,415 S * 8/2017 Blomberg D24/110.1
D820,455 S * 6/2018 Milligan D24/164
2006/0081249 A1 * 4/2006 Duxbury A62B 23/06
128/205.27
2006/0090754 A1 * 5/2006 Mittelstadt A62B 9/04
128/201.17
2009/0217926 A1 * 9/2009 Hine A62B 18/02
128/201.25
2010/0294274 A1 * 11/2010 Poirier A62B 18/088
128/202.22
2014/0041348 A1 * 2/2014 Lawrence A62B 18/08
55/493

* cited by examiner

Primary Examiner — Sheryl Lane

Assistant Examiner — Aula Soroush

(74) *Attorney, Agent, or Firm* — Patrick M. Torre; Stites
& Harbison, PLLC

(57) **CLAIM**

The ornamental design for a combined low profile compact
respiratory filter and internal frame assembly, as shown and
described.

DESCRIPTION

FIG. 1 is a perspective view of a base of a combined low
profile compact respiratory filter and internal frame assem-
bly of my design;

FIG. 2 is a bottom view of the design of FIG. 1;

FIG. 3 is a top view of the design of FIG. 1;

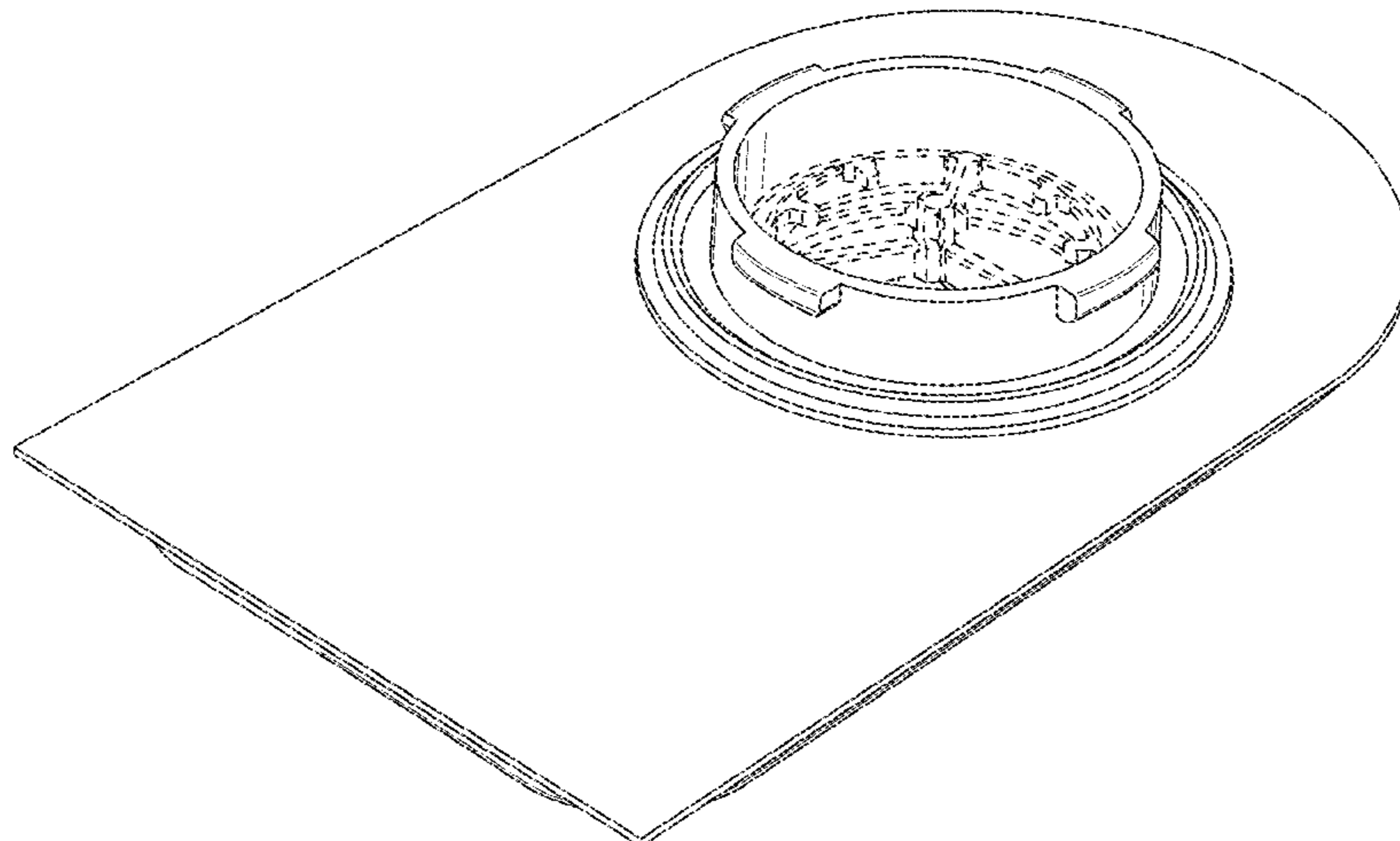
FIG. 4 is a front view of the design of FIG. 1;

FIG. 5 is a rear view of the design of FIG. 1;

FIG. 6 is a right side view of the design of FIG. 1; and,

FIG. 7 is a left view of the design of FIG. 1.

1 Claim, 6 Drawing Sheets



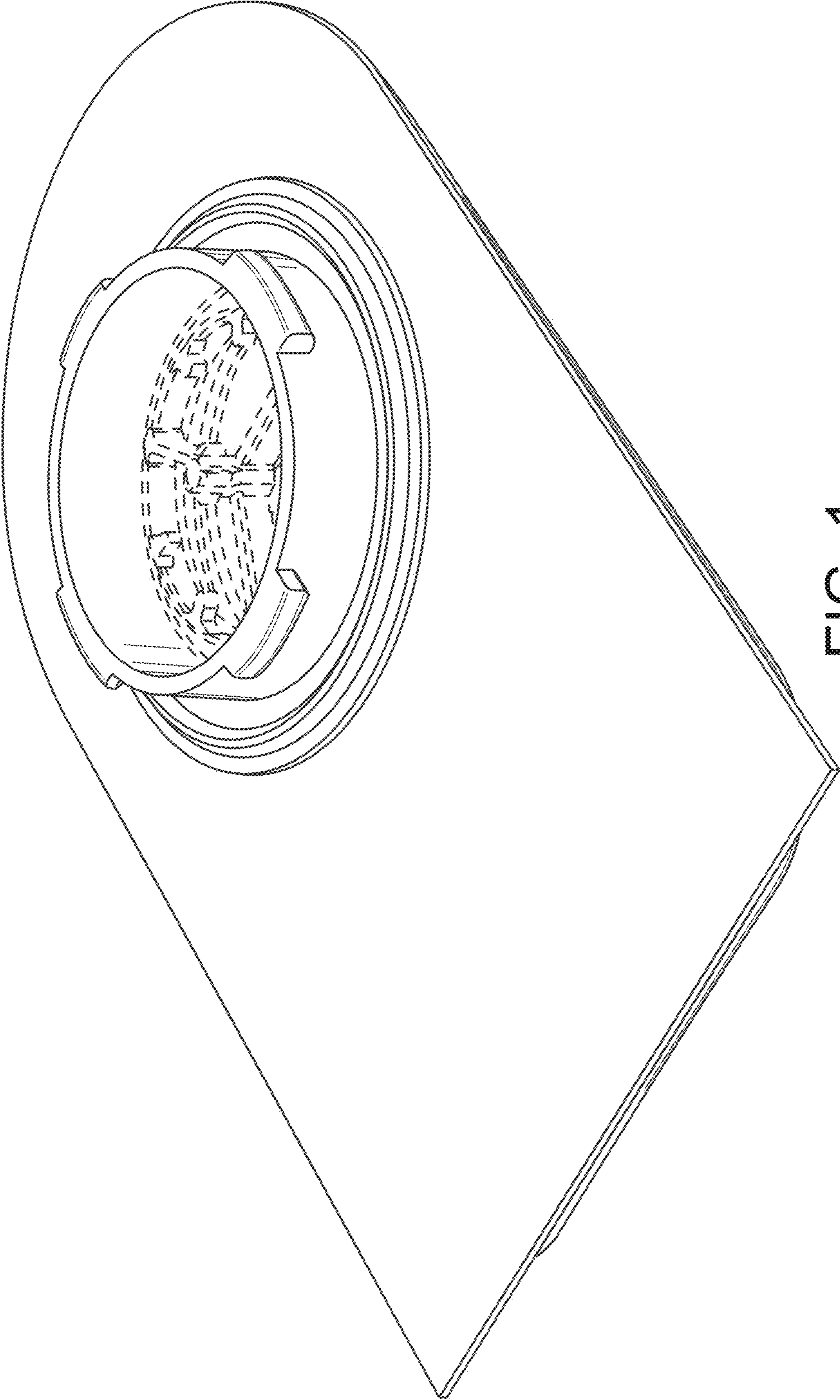


FIG. 1

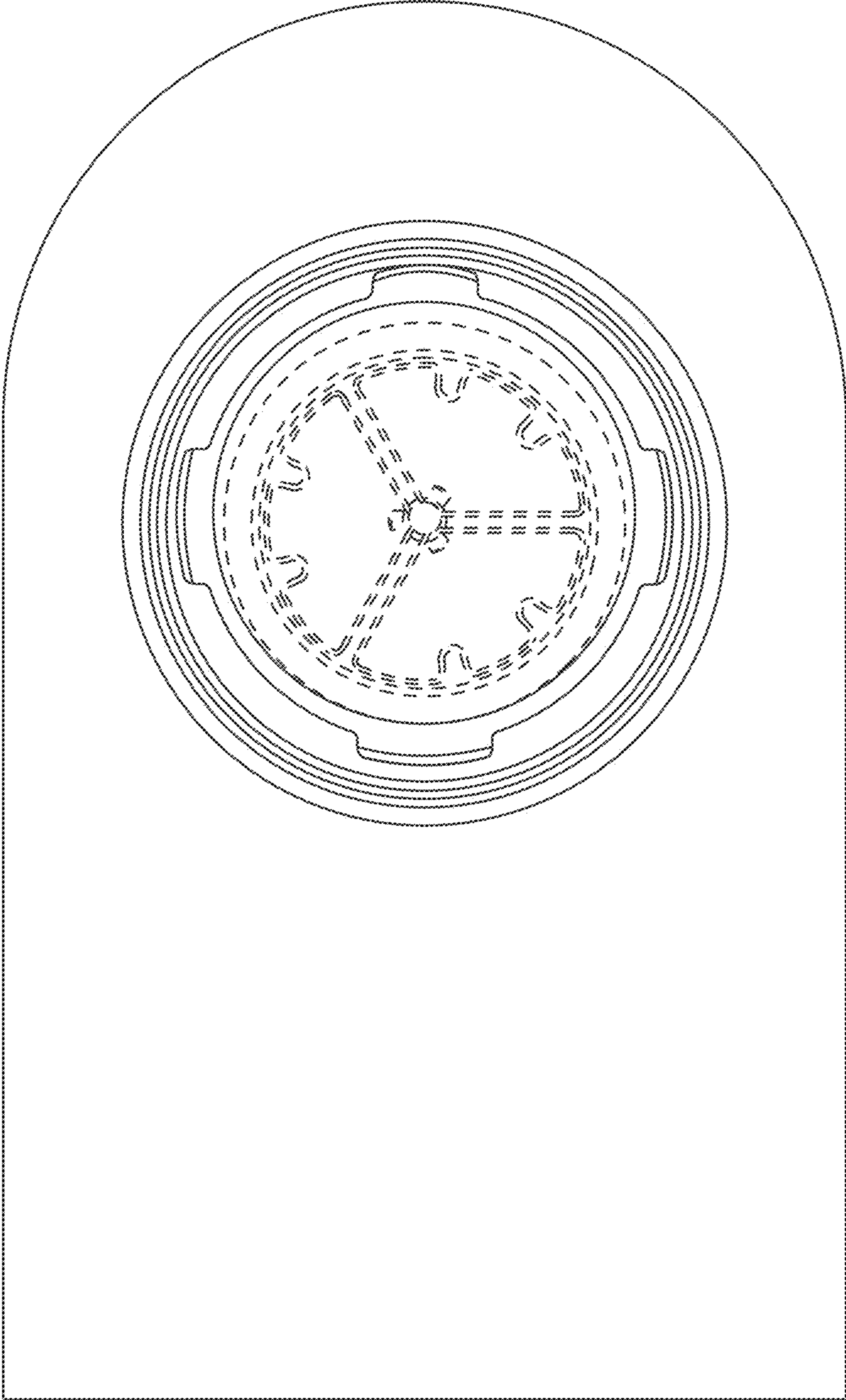


FIG. 2

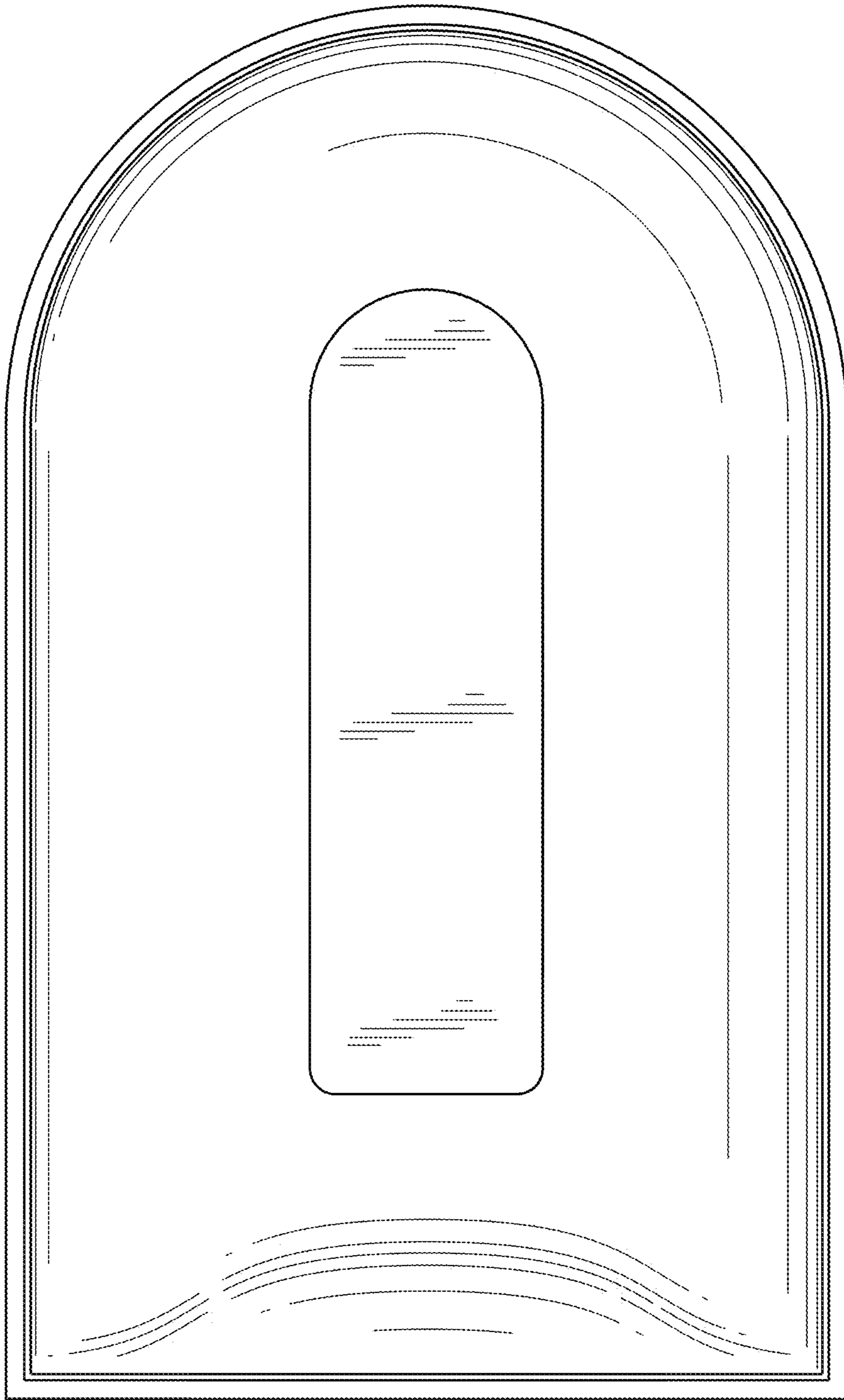


FIG. 3

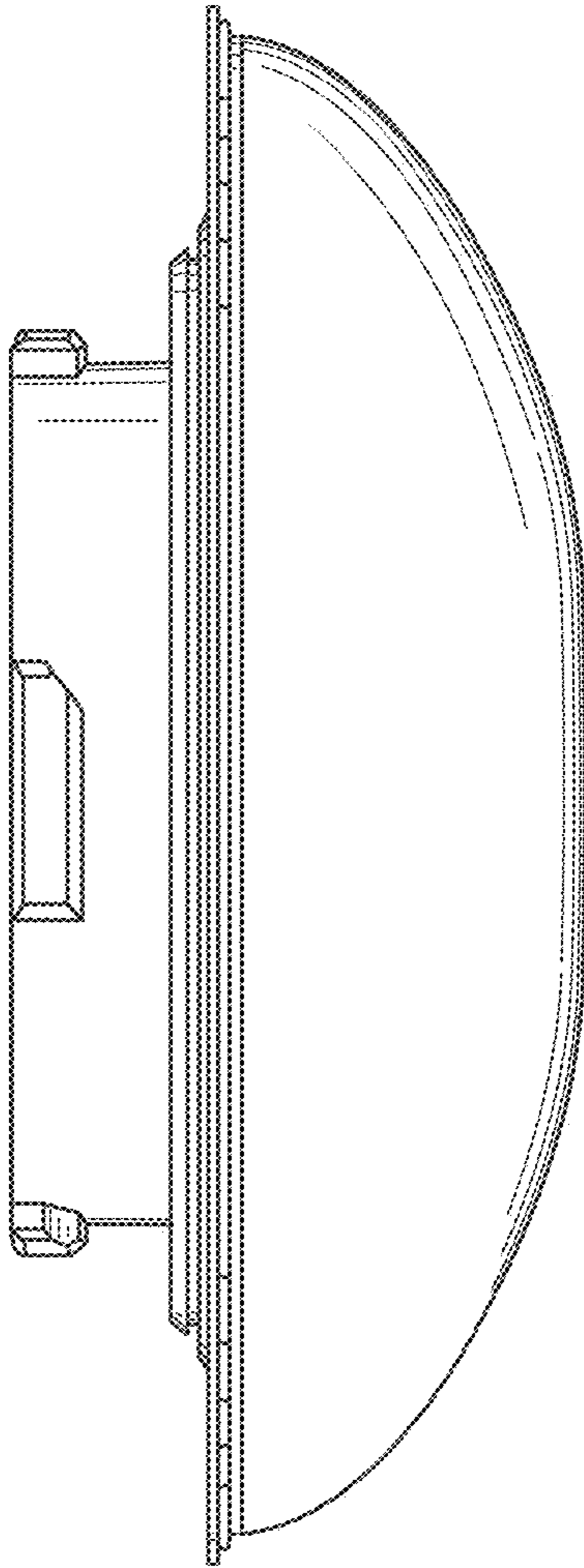


FIG. 4

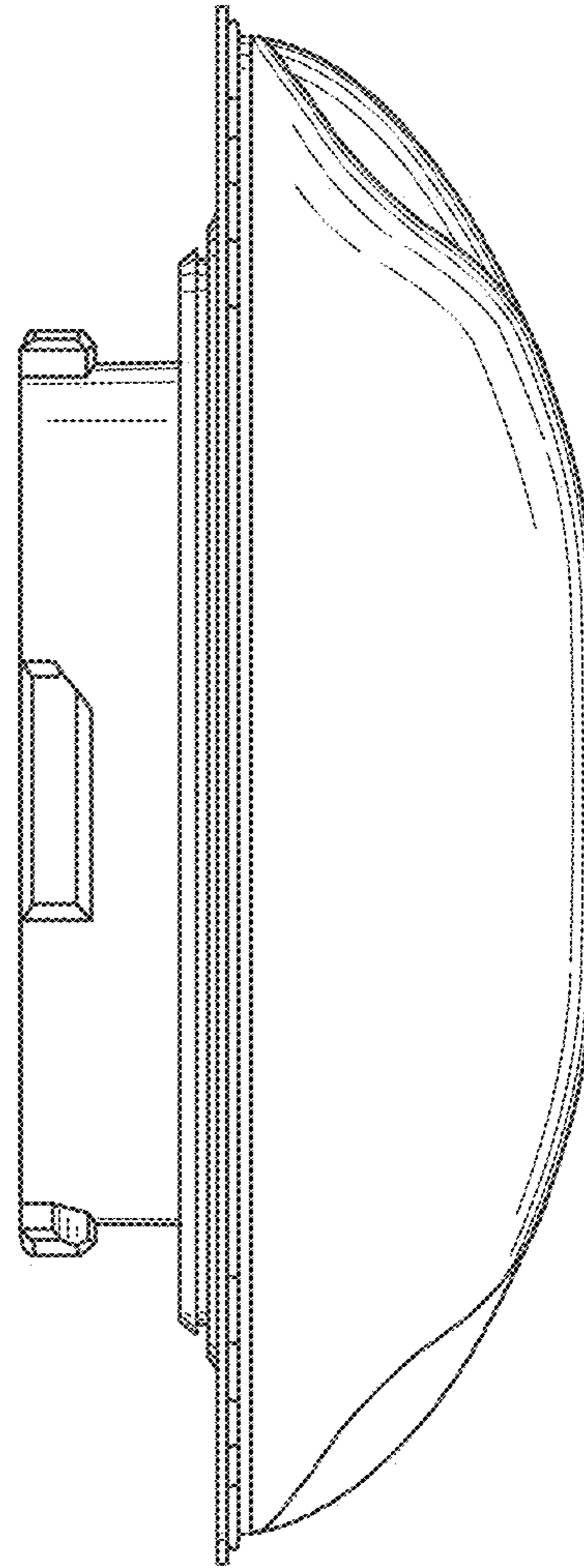


FIG. 5

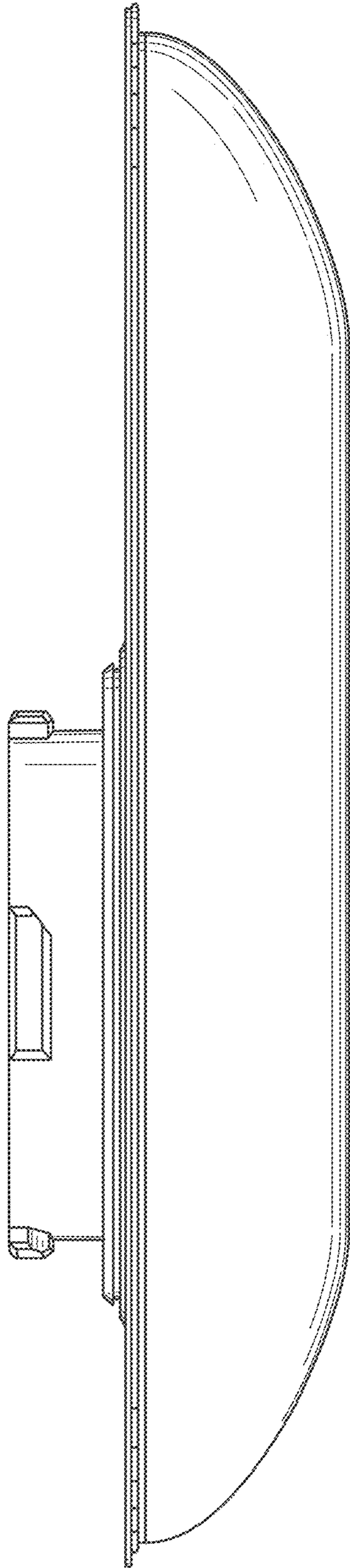


FIG. 6

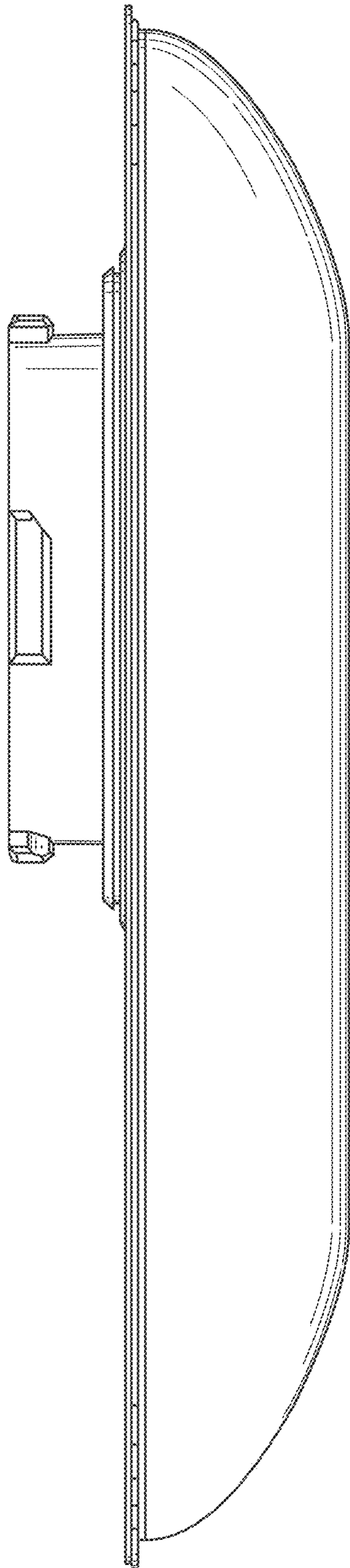


FIG. 7