



US00D955550S

(12) **United States Design Patent** (10) **Patent No.:** **US D955,550 S**
Liu (45) **Date of Patent:** **** Jun. 21, 2022**

(54) **PET HOUSE**
(71) Applicant: **Xiamen Zhaozhao Trading Co., Ltd.,**
Xiamen (CN)
(72) Inventor: **Geng Liu, Xiamen (CN)**
(**) Term: **15 Years**
(21) Appl. No.: **29/713,325**
(22) Filed: **Nov. 15, 2019**
(51) **LOC (13) Cl.** **30-02**
(52) **U.S. Cl.**
USPC **D24/108**
(58) **Field of Classification Search**
USPC D21/520; D6/601, 349, 595–597, 604,
D6/382; D8/333, 343, 354, 366, 373,
D8/382, 383; D25/48.1, 48.3, 152, 153,
D25/154, 155, 156; D30/108–120,
D30/158–161
CPC A01K 1/00; A01K 1/0272; A01K 1/0353;
A01K 1/035; A01K 1/0017; A01K
1/0245; A01K 1/0035; A01K 1/0151;
A47C 21/02
See application file for complete search history.

(56) **References Cited**
U.S. PATENT DOCUMENTS
D282,880 S * 3/1986 Barati D30/114
D335,002 S * 4/1993 Read D11/145
D338,985 S * 8/1993 Altman D30/108
5,248,046 A * 9/1993 Rollason A01K 61/59
209/675
D353,028 S * 11/1994 Boscato D30/108
D359,588 S * 6/1995 Brazis D30/108
D360,491 S * 7/1995 Campbell D30/108
D386,830 S * 11/1997 Mele D30/108
D420,470 S * 2/2000 Kolozsvari D30/108
D548,362 S * 8/2007 Ashby D25/33
D554,389 S * 11/2007 Pierce D30/108
D558,892 S * 1/2008 Grosfillex D25/33
D558,893 S * 1/2008 Grosfillex D25/33

D560,818 S * 1/2008 Grosfillex D25/33
D567,390 S * 4/2008 Grosfillex D25/33
D569,053 S * 5/2008 Lee D30/161
D572,414 S * 7/2008 Lee D30/108
D606,666 S * 12/2009 Berger D25/33
D606,667 S * 12/2009 Berger D25/33
D623,312 S * 9/2010 Tafel D25/16
D625,834 S * 10/2010 McKimmy D25/33
D625,835 S * 10/2010 McKimmy D25/33
D634,078 S * 3/2011 Lee D30/119
D640,837 S * 6/2011 Henley D30/108
D650,953 S * 12/2011 Lee D30/161
D793,628 S * 8/2017 Fisher D30/108
D804,737 S * 12/2017 Fisher D30/108
D821,038 S * 6/2018 Rathman D30/114
(Continued)

OTHER PUBLICATIONS

https://www.amazon.com/ROCKEVER-Shelter-Outdoor-Rainproof-Three-Four/dp/B07W61PWN9/ref=sr_1_1?keywords=rockever&qid=1579069710&sr=8-1

Primary Examiner — Sheryl Lane
Assistant Examiner — Aula Soroush
(74) *Attorney, Agent, or Firm* — Rumit Ranjit Kanakia

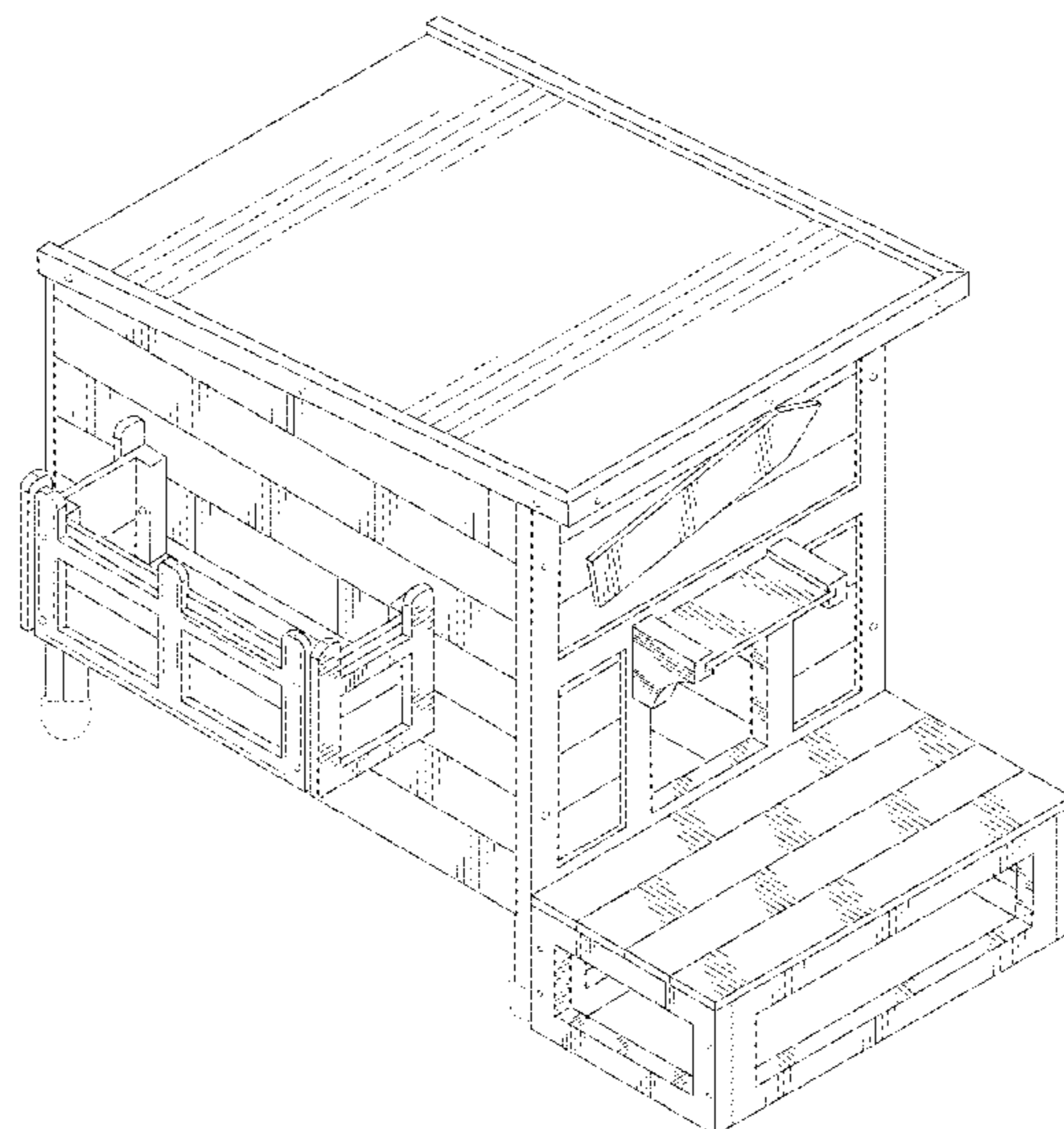
(57) **CLAIM**

I claim the ornamental design for a pet house, as shown and described.

DESCRIPTION

FIG. 1 is a Perspective view of a pet house showing my new design;
FIG. 2 is a Front view thereof;
FIG. 3 is a Back view thereof;
FIG. 4 is a Left-side view thereof;
FIG. 5 is a Right-side view thereof;
FIG. 6 is a top view thereof; and,
FIG. 7 is a bottom view thereof.
The broken line depict portions of the pet house that form no part of the claimed design.

1 Claim, 7 Drawing Sheets



(56)

References Cited

U.S. PATENT DOCUMENTS

D852,429 S * 6/2019 Rathman D30/114
D899,005 S * 10/2020 Hill D30/108

* cited by examiner

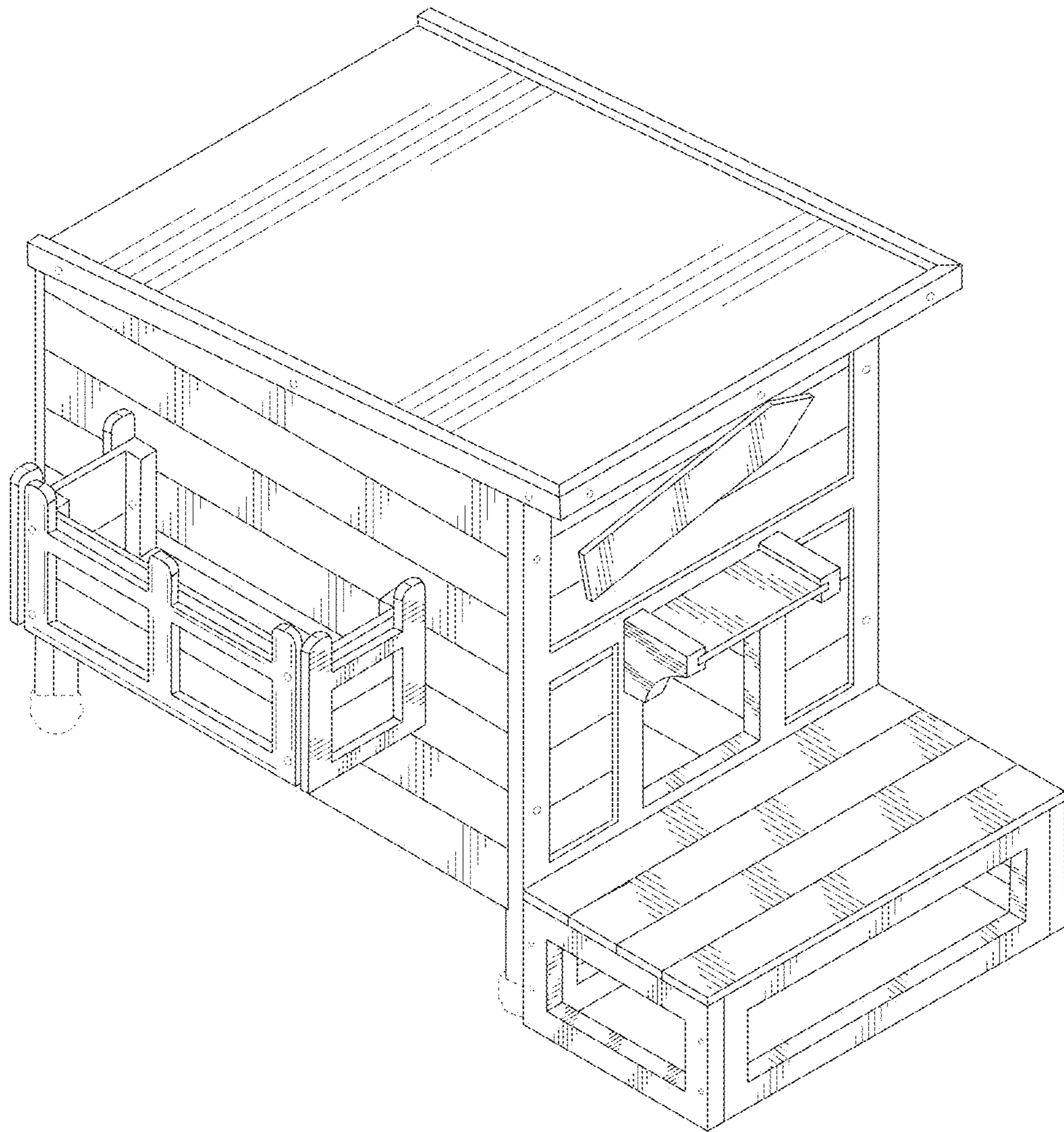


FIG. 1

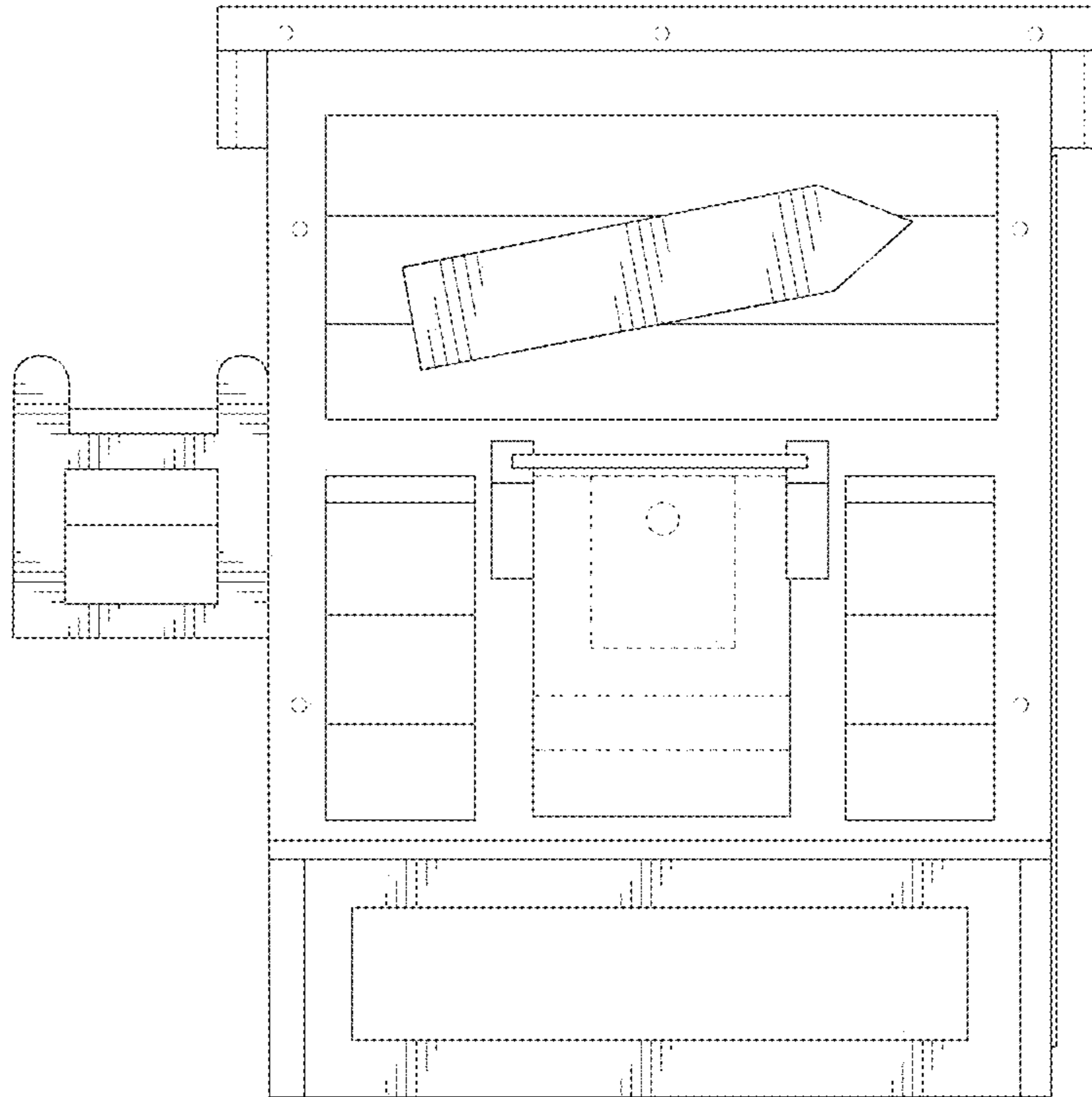


FIG. 2

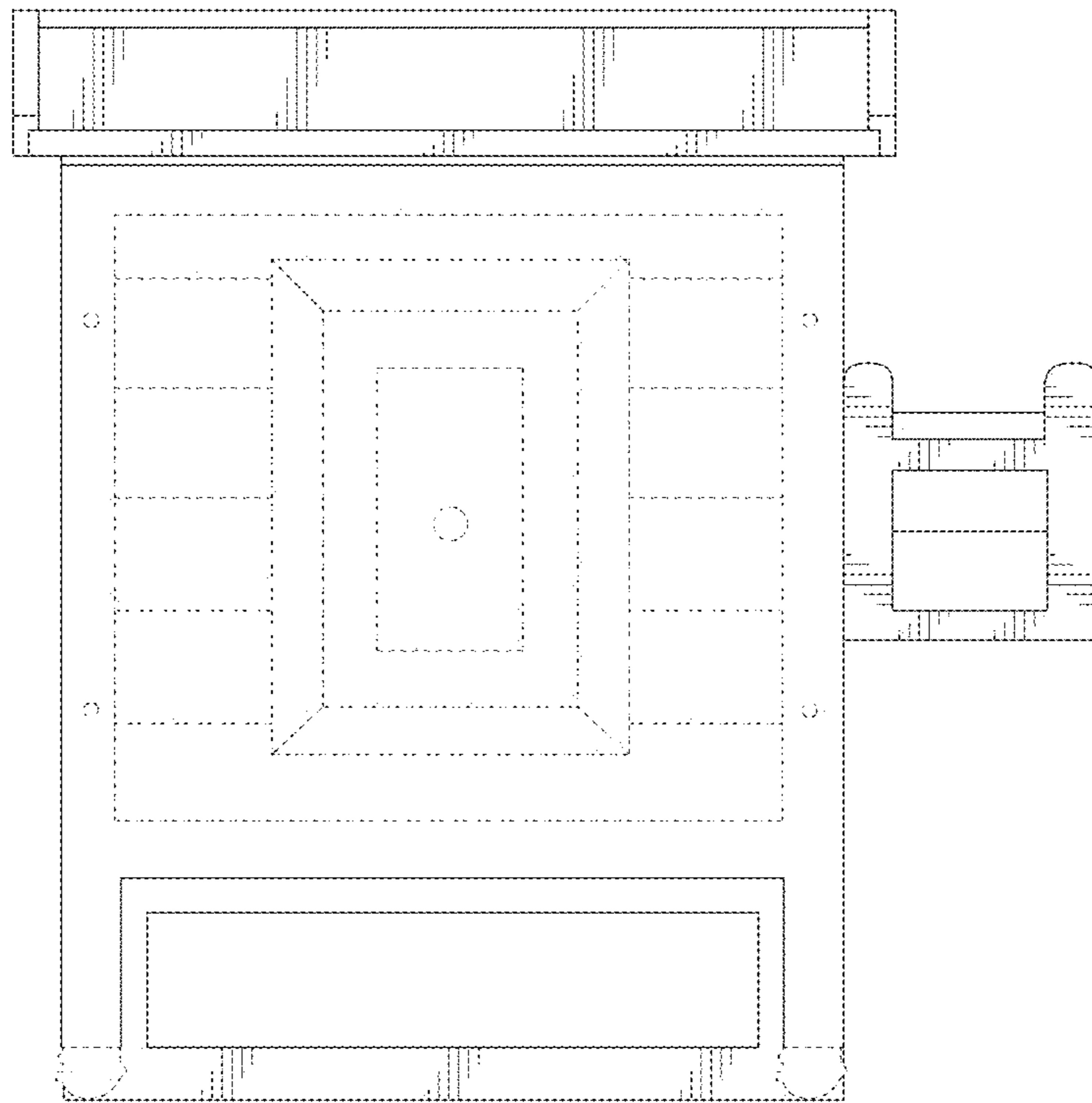


FIG. 3

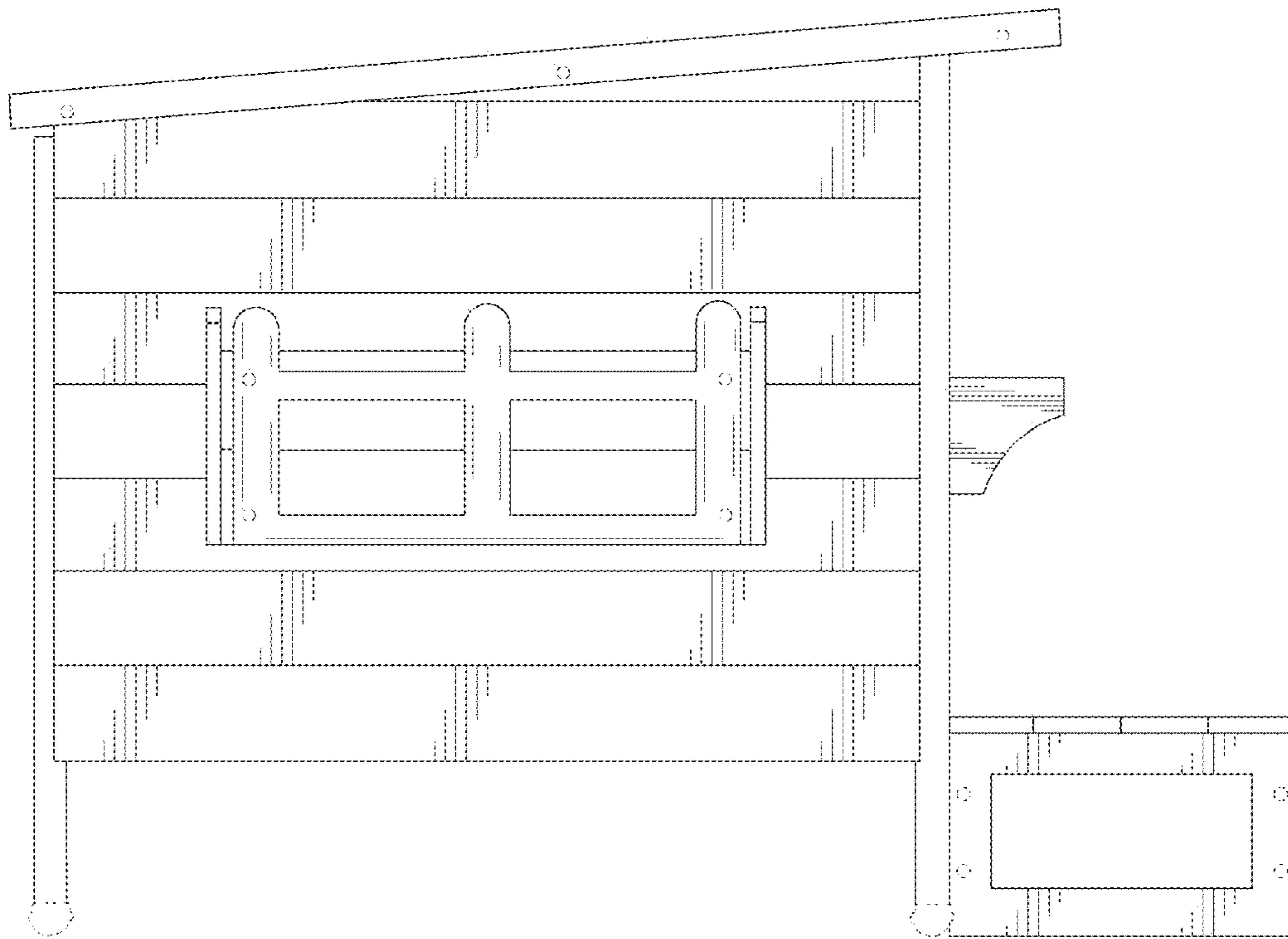


FIG. 4

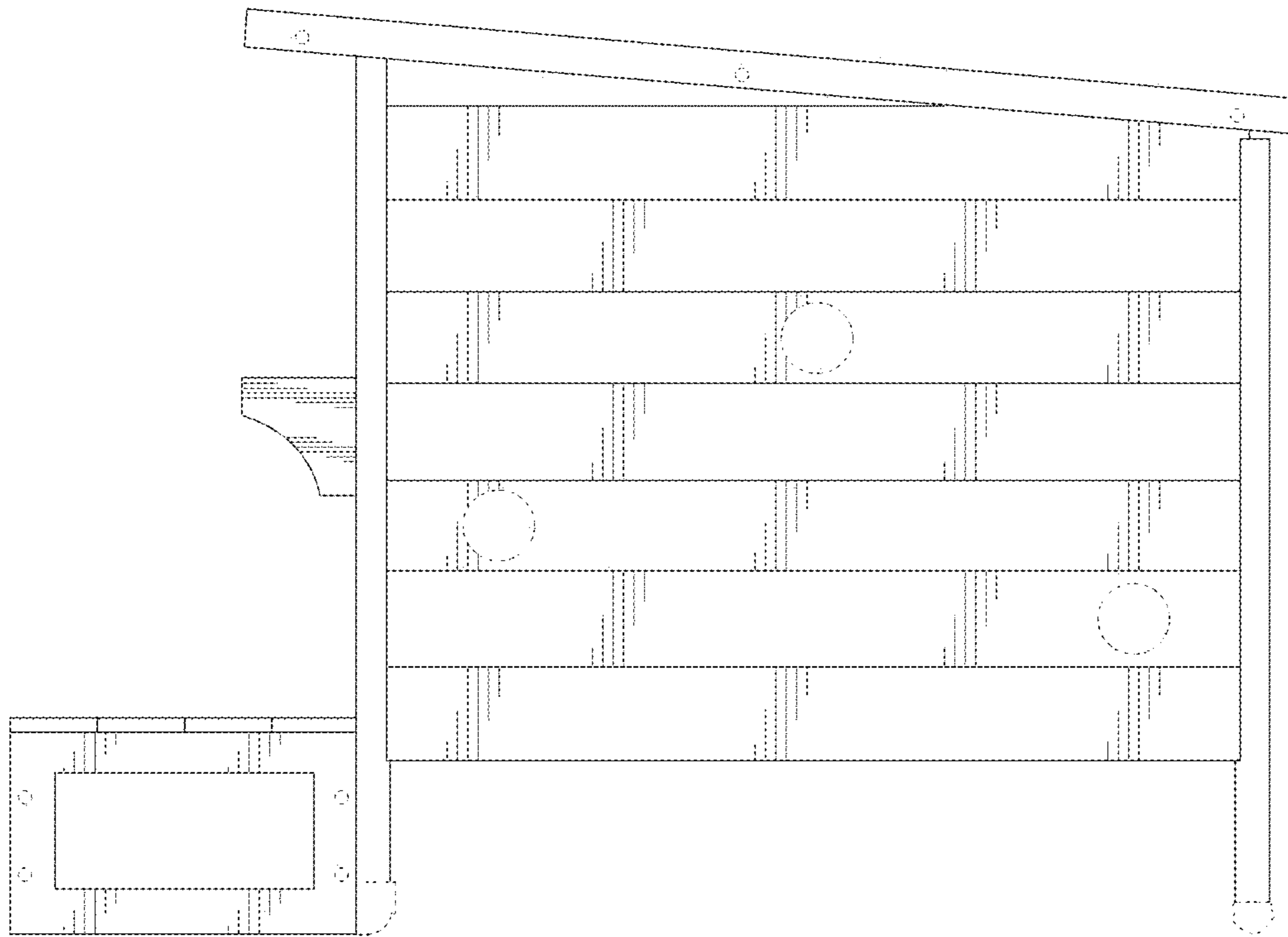


FIG. 5

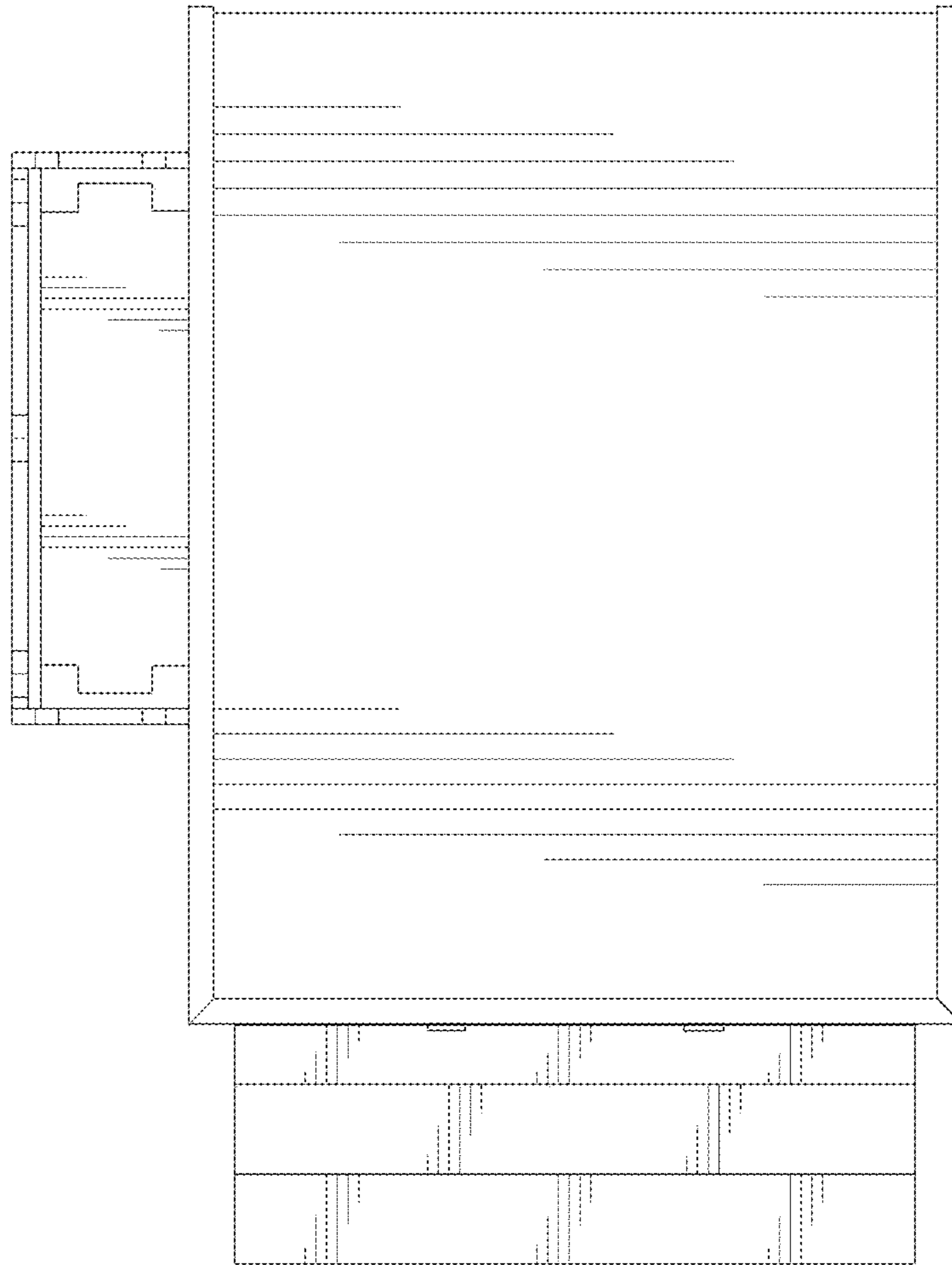


FIG. 6

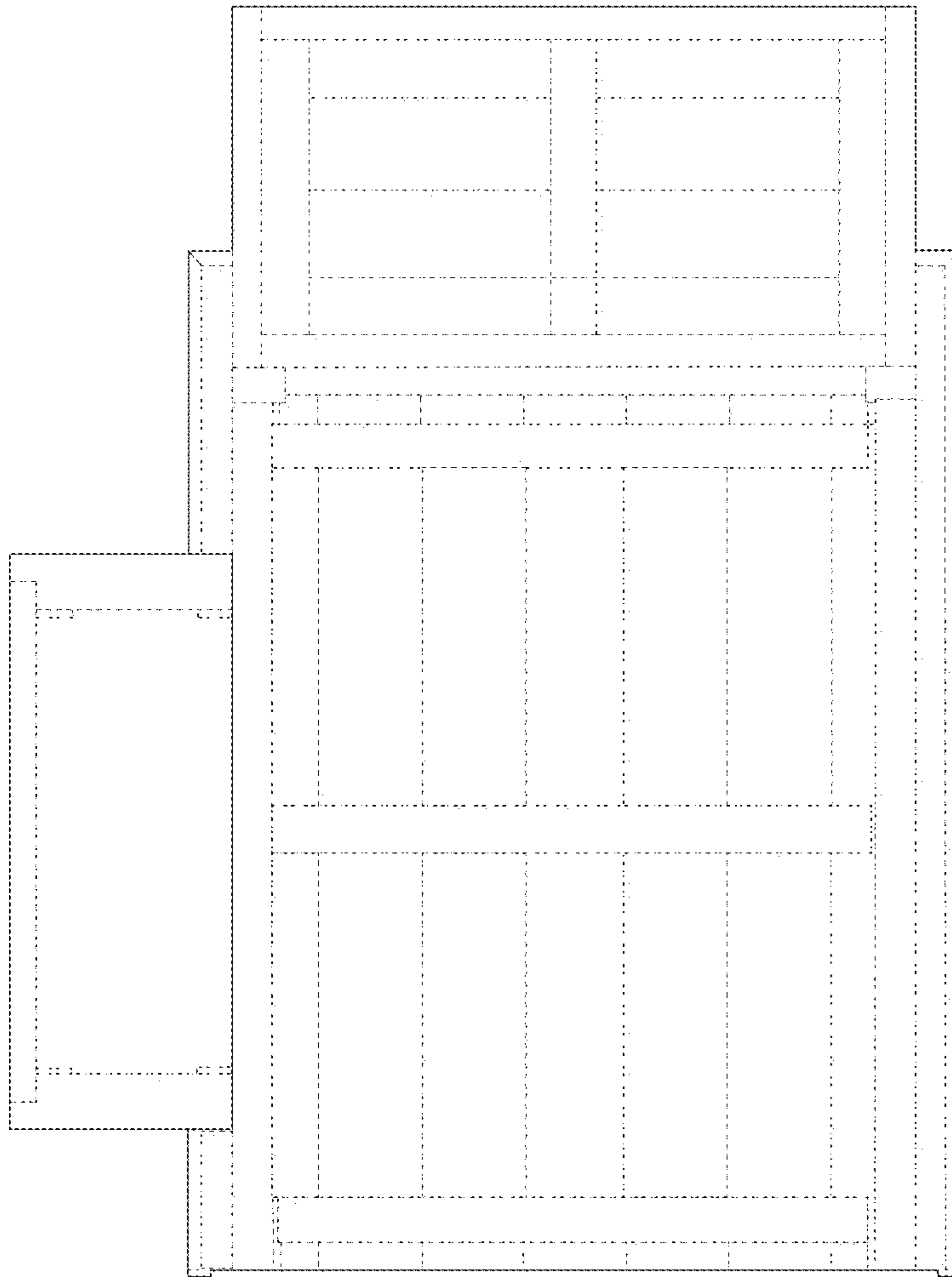


FIG. 7