



US00D955548S

(12) **United States Design Patent**
Brown

(10) **Patent No.:** **US D955,548 S**

(45) **Date of Patent:** **** Jun. 21, 2022**

(54) **COMBINATION PERSONAL COMFORT AND INSECT CONTROL DEVICE**

(71) Applicant: **Dennis Brown**, Arkadelphia, AR (US)

(72) Inventor: **Dennis Brown**, Arkadelphia, AR (US)

(**) Term: **15 Years**

(21) Appl. No.: **29/756,791**

(22) Filed: **Oct. 30, 2020**

(51) **LOC (13) Cl.** **23-04**

(52) **U.S. Cl.**
USPC **D23/381**

(58) **Field of Classification Search**
USPC D23/354, 370, 371, 378–383, 385,
D23/387–392, 411–412; D25/48.8
CPC F04D 25/166; F04D 29/703; F04D 29/403;
E06B 9/52; E06B 2009/524
See application file for complete search history.

(56) **References Cited**

U.S. PATENT DOCUMENTS

D104,119 S *	4/1937	Schwarz	D23/382
D108,689 S *	3/1938	Anderson	D23/381
D174,930 S *	6/1955	Tateishi	D23/381
D176,984 S *	2/1956	Koch	D23/380
D182,931 S *	5/1958	Schreckengost	D23/381
D377,390 S *	1/1997	Ketcham	D23/370
D410,077 S *	5/1999	Swartzendruber	D23/389
D449,879 S *	10/2001	Sobala	D23/365
D518,577 S *	4/2006	Bunting	D25/48.8
D621,924 S *	8/2010	Achen	D23/388
D733,861 S *	7/2015	Haaf	D23/370
D761,948 S *	7/2016	Schler	D23/370
D799,673 S *	10/2017	Chen	D23/381
D875,233 S *	2/2020	Sykes	D23/371
2004/0188042 A1 *	9/2004	Pylkki	E06B 9/52 160/371

2005/0056389 A1 *	3/2005	Kelley	E06B 9/52 160/371
2006/0157208 A1 *	7/2006	Annacchino	E06B 9/52 160/371
2006/0260183 A1 *	11/2006	Hockaday	A01M 1/08 43/132.1
2008/0089798 A1 *	4/2008	Litvin	F04D 25/0613 417/423.15
2008/0206856 A1 *	8/2008	Chee	A01K 67/0332 435/290.3
2015/0027095 A1 *	1/2015	Marschall	F02M 35/10013 55/511
2018/0209140 A1 *	7/2018	Hoggatt	E04B 1/70

* cited by examiner

Primary Examiner — Sharon S Oum

(57) **CLAIM**

The ornamental design for a combination personal comfort and insect control device, as shown and described.

DESCRIPTION

FIG. 1 is a front perspective view of a combination personal comfort and insect control device.

FIG. 2 is a front view thereof.

FIG. 3 is back view thereof.

FIG. 4 is a top view thereof, the bottom view being a mirror image of the top view.

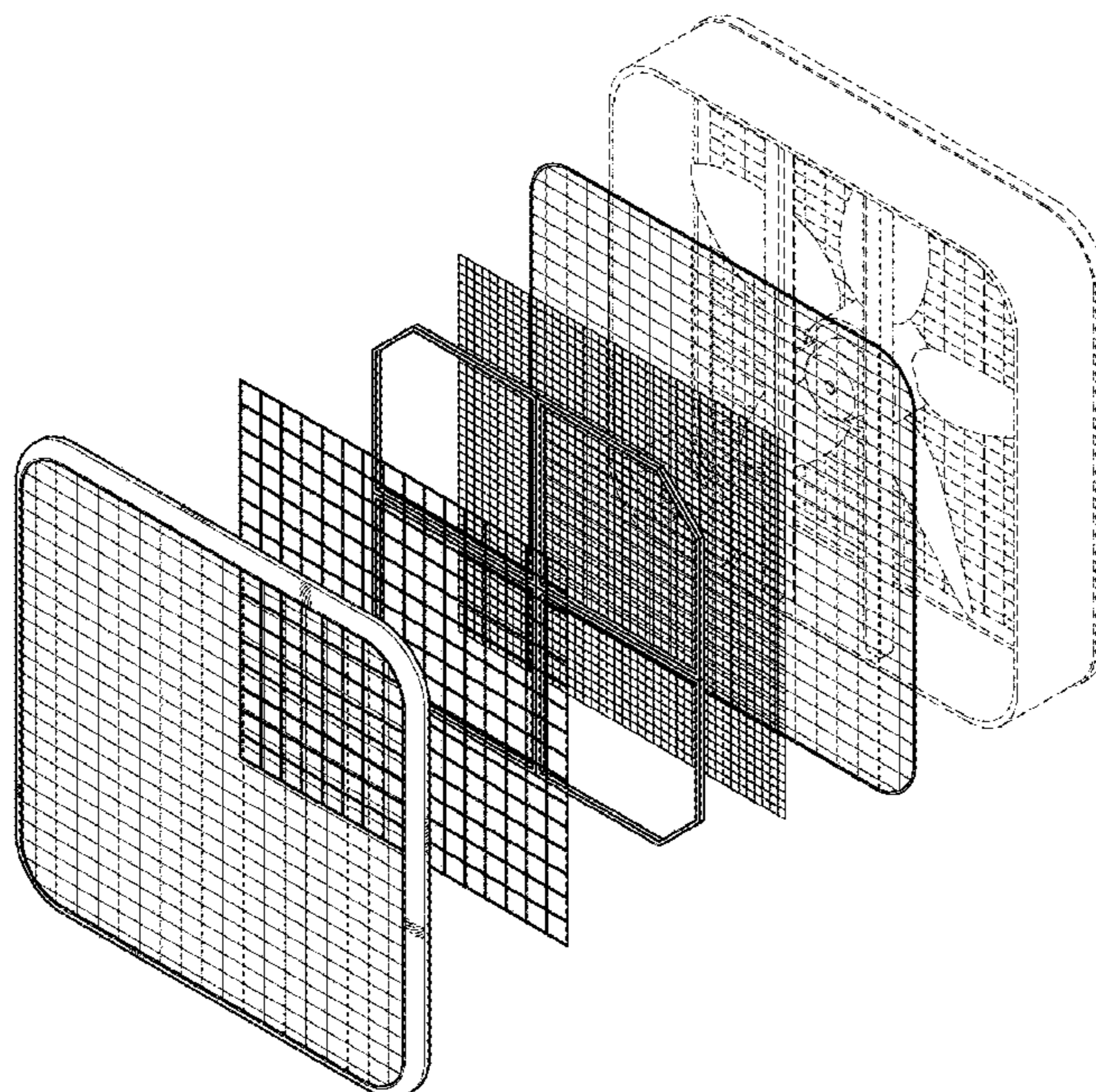
FIG. 5 is a right-side view thereof, the left-side view being a mirror image of the right-side view.

FIG. 6 is a cross-sectional view along line 6-6 as shown on FIG. 2; and,

FIG. 7 is an exploded view of FIG. 1.

The broken lines depict portions of the combination personal comfort and insect control device that form no part of the claimed design.

1 Claim, 6 Drawing Sheets



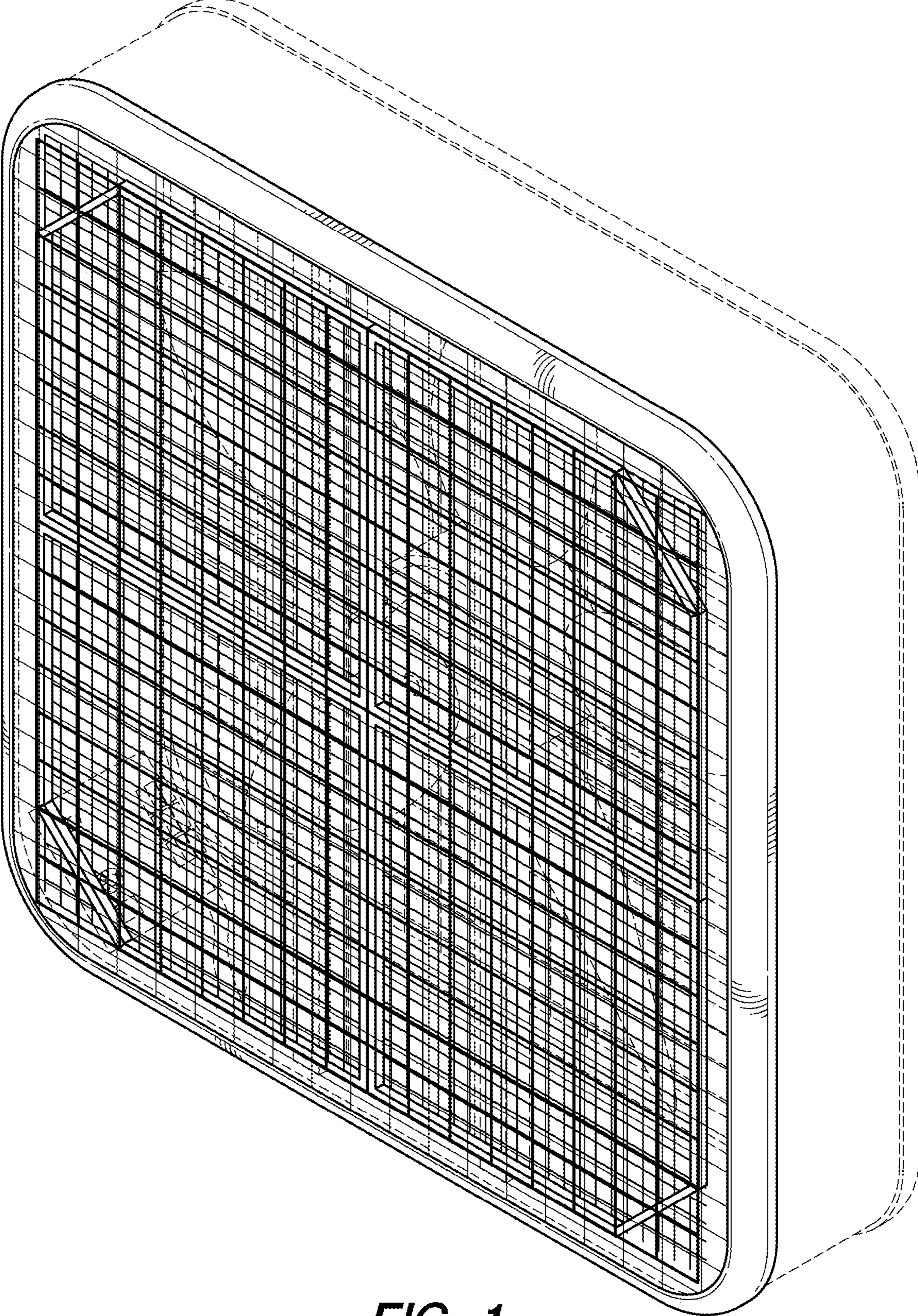


FIG. 1

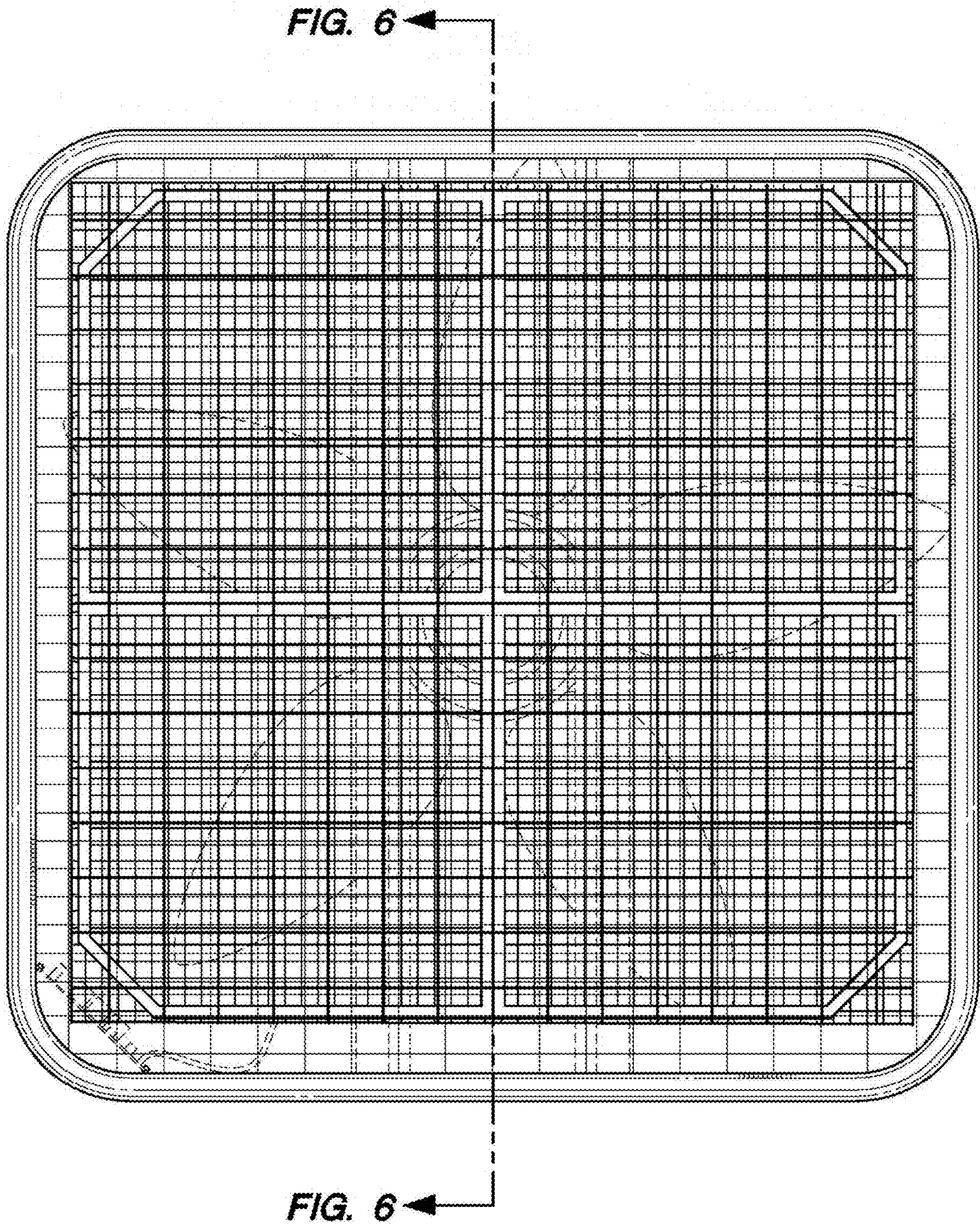


FIG. 2

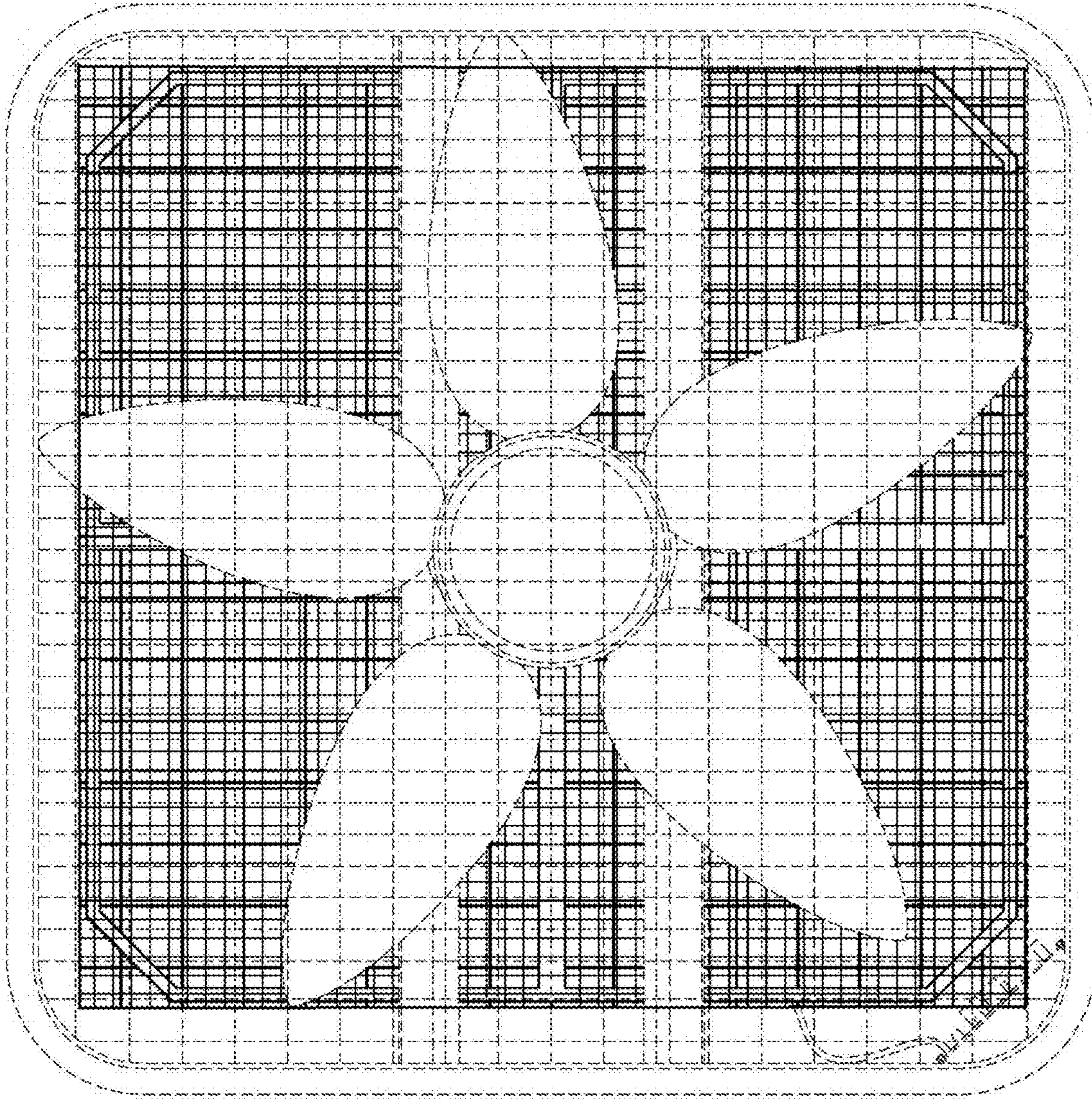


FIG. 3

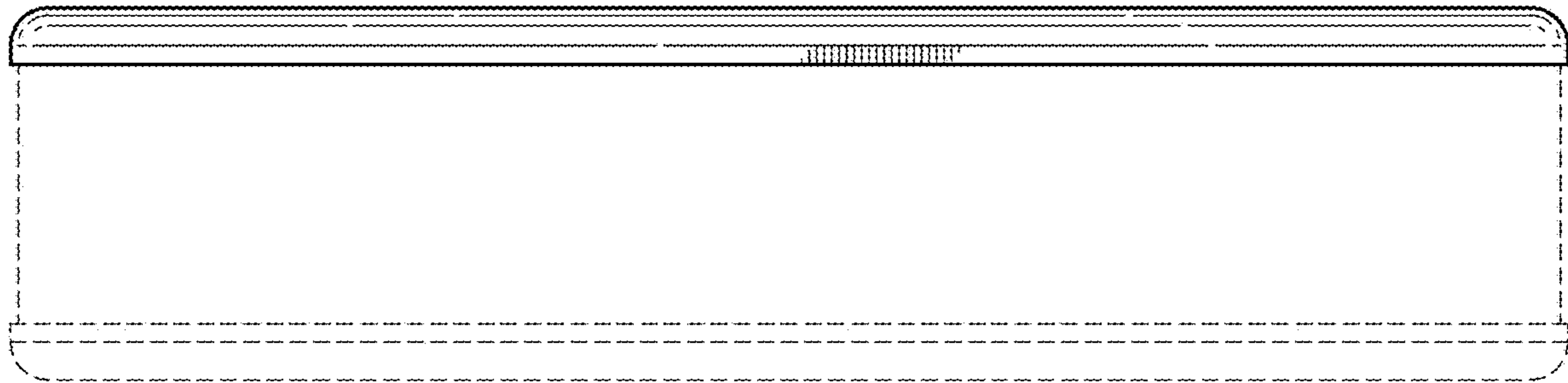


FIG. 4

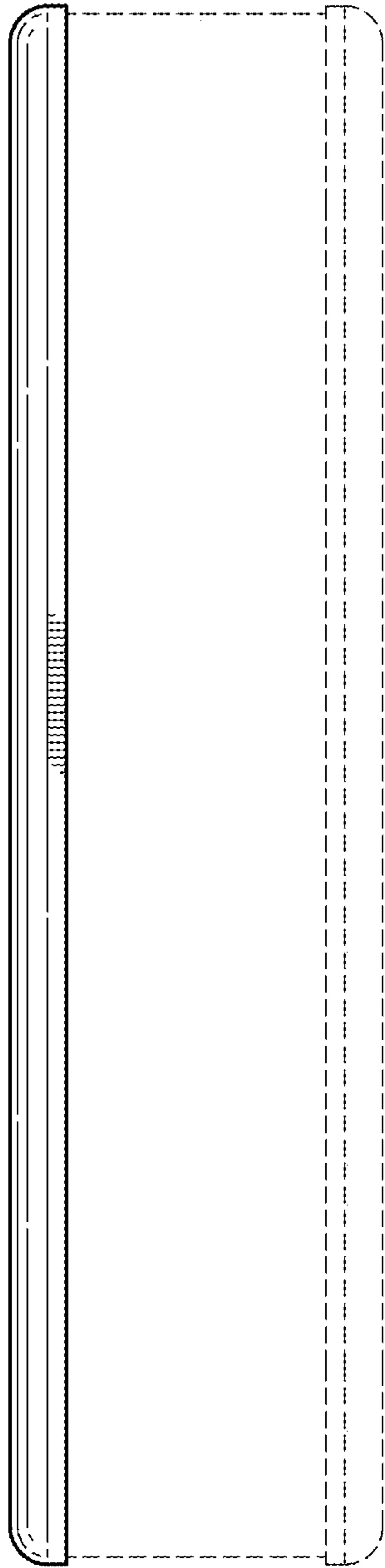


FIG. 5

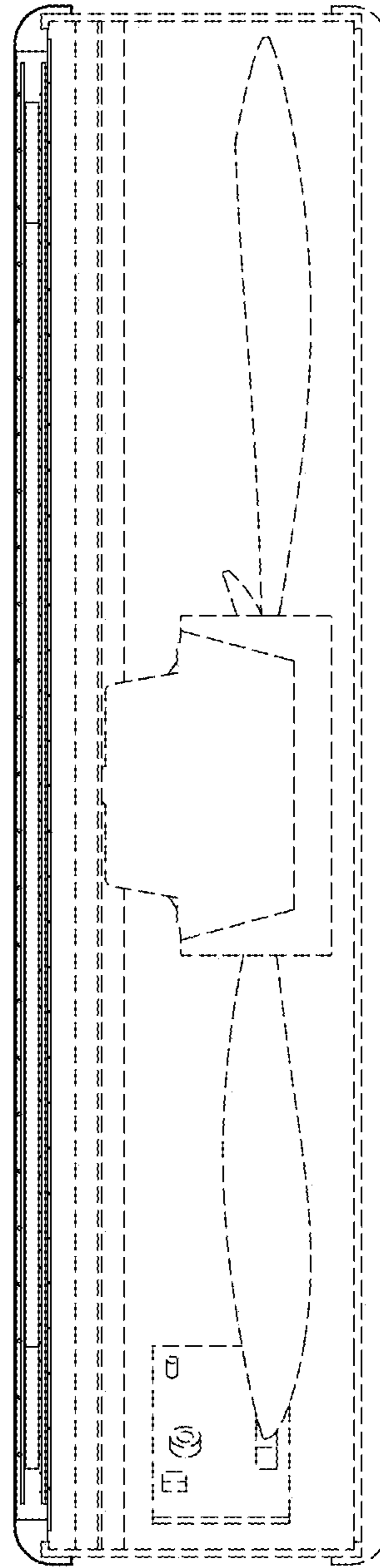


FIG. 6

