



US00D955547S

(12) **United States Design Patent**  
**Kim et al.**

(10) **Patent No.:** **US D955,547 S**

(45) **Date of Patent:** **\*\* Jun. 21, 2022**

(54) **REFRIGERATOR INCLUDING HEATING CABINET FOR VEHICLES**

(71) Applicants: **HYUNDAI MOTOR COMPANY**, Seoul (KR); **KIA MOTORS CORPORATION**, Seoul (KR); **LG ELECTRONICS INC.**, Seoul (KR)

(72) Inventors: **Dongeun Kim**, Seoul (KR); **Seungil Lee**, Seoul (KR); **Jinwan Bae**, Seoul (KR); **Joungyoung Joung**, Seoul (KR); **Hyunjin Yoon**, Seoul (KR); **Euseok Lee**, Seoul (KR); **Jaebom Im**, Seoul (KR); **Sanghyun Choi**, Seoul (KR); **Mijin Park**, Seoul (KR); **Hyunwook Lee**, Seoul (KR)

(73) Assignees: **LG ELECTRONICS INC.**, Seoul (KR); **HYUNDAI MOTOR COMPANY**, Seoul (KR); **KIA MOTORS CORPORATION**, Seoul (KR)

(\*\*) Term: **15 Years**

(21) Appl. No.: **35/510,290**

(22) Filed: **Aug. 18, 2020**

(80) **Hague Agreement Data**

Int. Filing Date: **Aug. 18, 2020**

Int. Reg. No.: **DM/210156**

Int. Reg. Date: **Aug. 18, 2020**

Int. Reg. Pub. Date: **Sep. 18, 2020**

(30) **Foreign Application Priority Data**

Feb. 24, 2020 (KR) ..... 30-2020-0008146

(51) **LOC (13) Cl.** ..... **23-04**

(52) **U.S. Cl.**  
USPC ..... **D23/366**

(58) **Field of Classification Search**  
USPC ..... D23/332, 333, 335, 336, 342, 351, 352, D23/355-366, 369

(Continued)

(56) **References Cited**

U.S. PATENT DOCUMENTS

D118,613 S \* 1/1940 Blazey ..... D10/125  
D621,021 S \* 8/2010 Koenig ..... D23/368

(Continued)

*Primary Examiner* — Natasha Vujcic

(74) *Attorney, Agent, or Firm* — Birch, Stewart, Kolasch & Birch, LLP

(57) **CLAIM**

We claim, the ornamental design for a refrigerator including heating cabinet for vehicles, as shown and described.

**DESCRIPTION**

1. Refrigerator including heating cabinet for vehicles

1.1 : Perspective

1.2 : Front

1.3 : Back

1.4 : Left

1.5 : Right

1.6 : Top

1.7 : Bottom

1.8 : Reference

1.9 : Reference

1.10 : Perspective

1.11 : Front

1.12 : Back

1.13 : Left

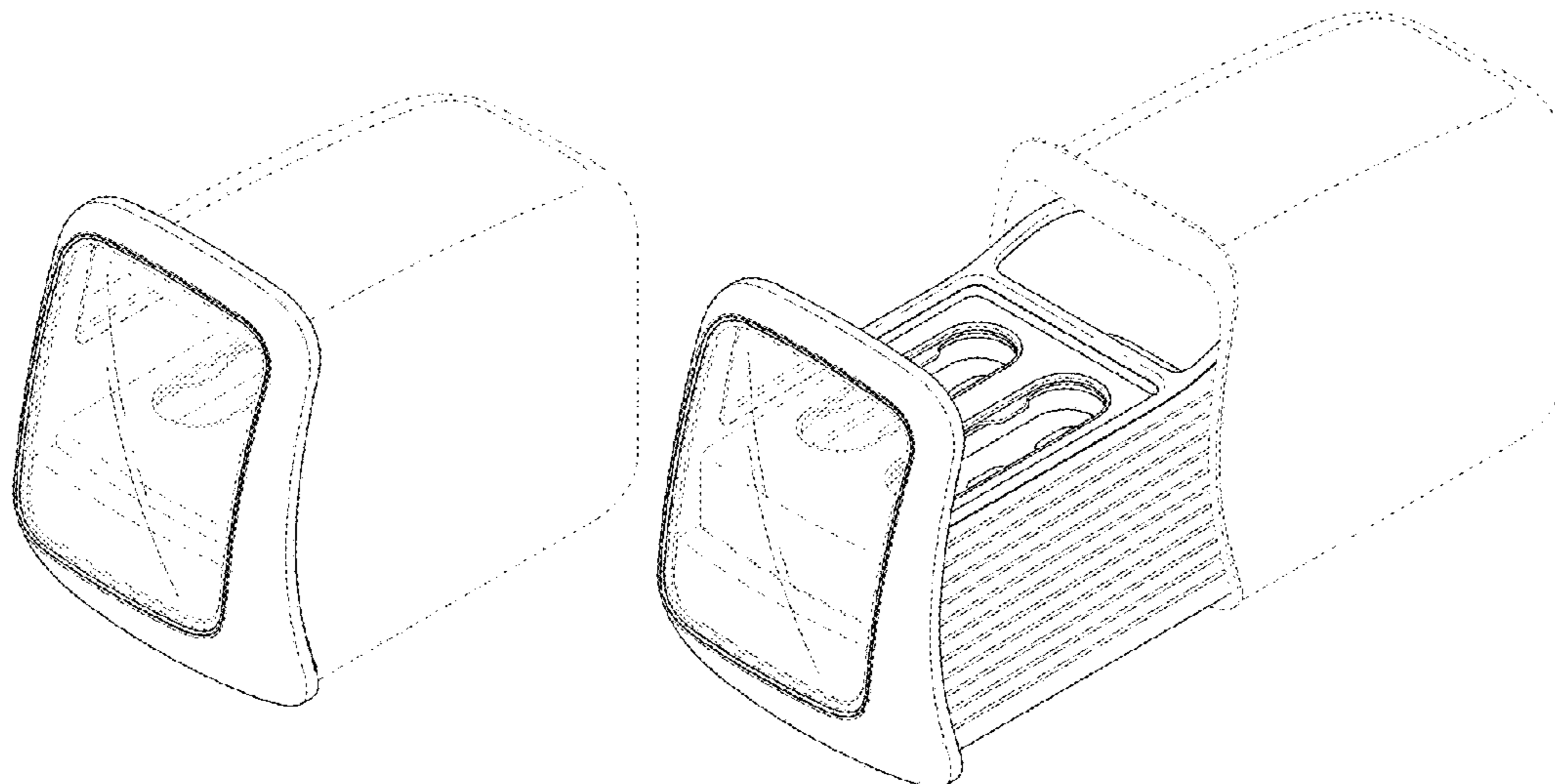
1.14 : Right

1.15 : Top

1.16 : Bottom

The broken lines in the drawings illustrate portions of the refrigerator including heating cabinet for vehicles which form no part of the claimed design.

**1 Claim, 16 Drawing Sheets**



(58) **Field of Classification Search**

CPC ..... A61L 9/16; A61L 9/22; F24F 3/16; F24F  
13/20; F24F 13/28; B01D 47/00; B01D  
47/027; B01D 2221/02; B01D 2259/4508  
See application file for complete search history.

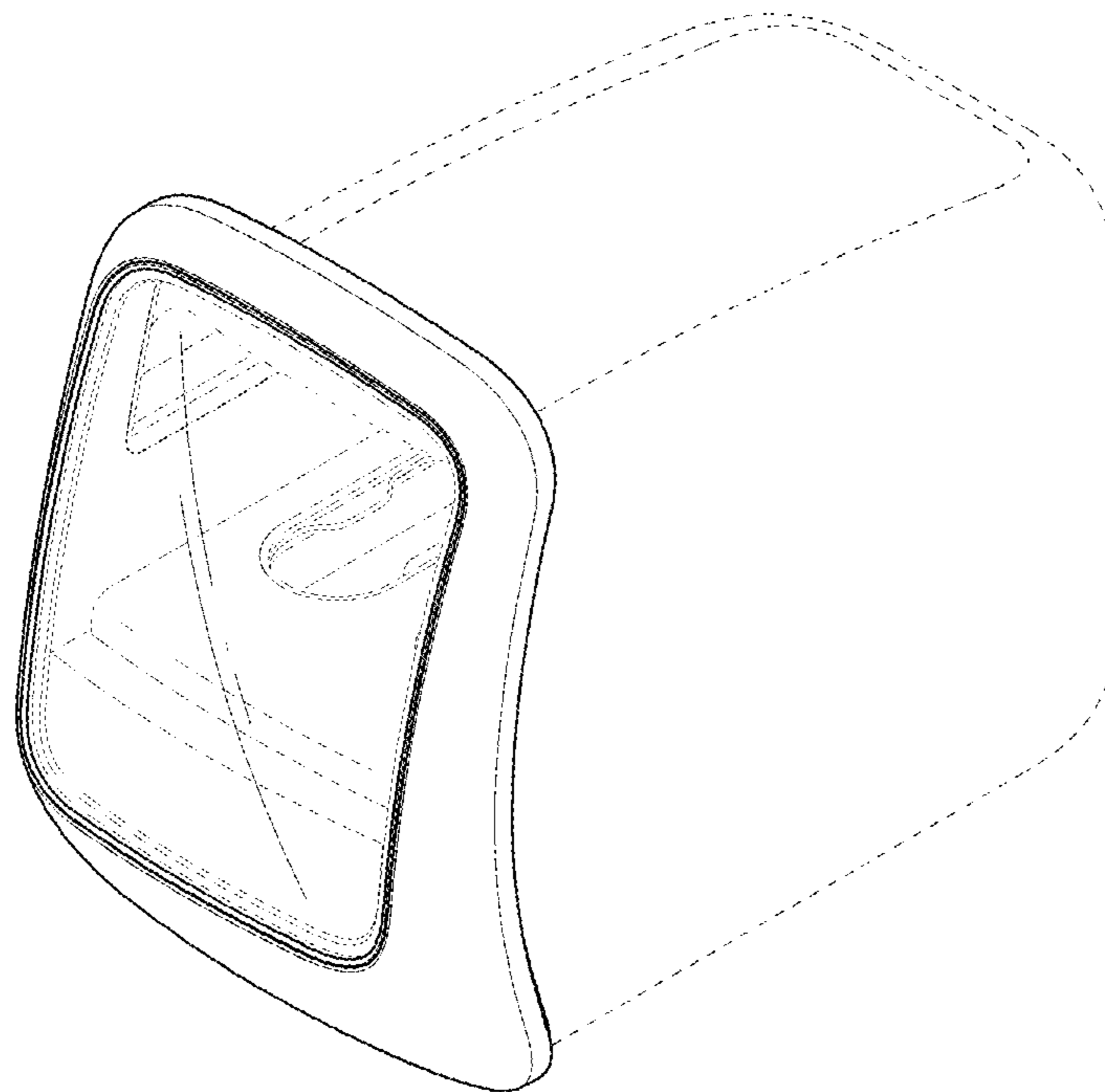
(56) **References Cited**

U.S. PATENT DOCUMENTS

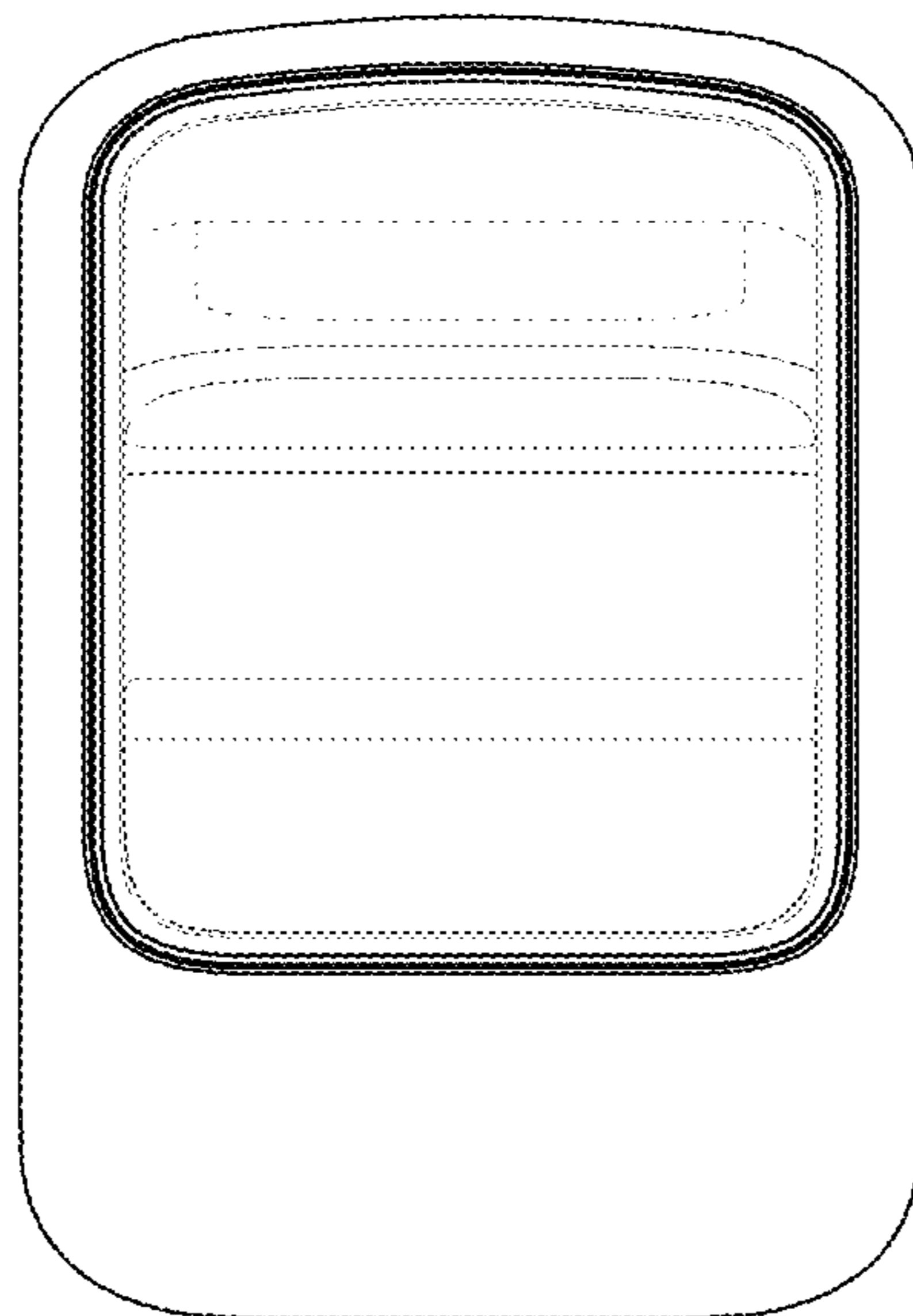
D657,036	S	*	4/2012	Vetu .....	D23/364
D729,368	S	*	5/2015	Markwick .....	D23/366
D729,920	S	*	5/2015	Lim .....	D23/364
D803,377	S	*	11/2017	Gobber .....	D23/366
D819,798	S	*	6/2018	Hwang .....	D23/364
D835,307	S	*	12/2018	Thompson .....	D26/26
D840,304	S	*	2/2019	Kang .....	D12/192
D844,765	S	*	4/2019	Zhang .....	D23/364
D864,431	S	*	10/2019	Thompson .....	D26/26
D871,564	S	*	12/2019	Brandenburg .....	D23/366
D879,284	S	*	3/2020	Puffer .....	D23/385
D889,627	S	*	7/2020	Brandenburg .....	D23/366
D895,096	S	*	9/2020	Brandenburg .....	D23/366

\* cited by examiner

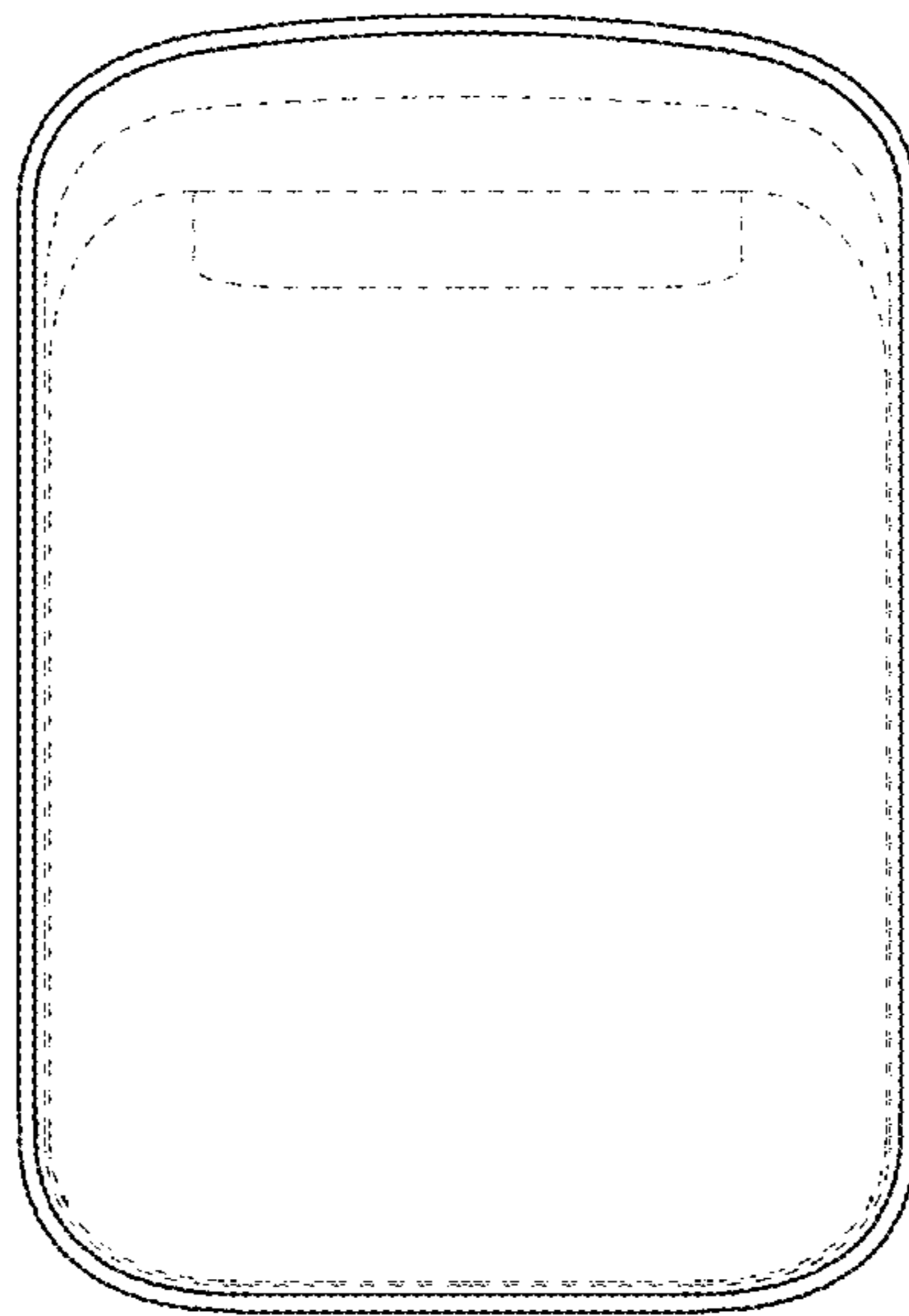
1.1



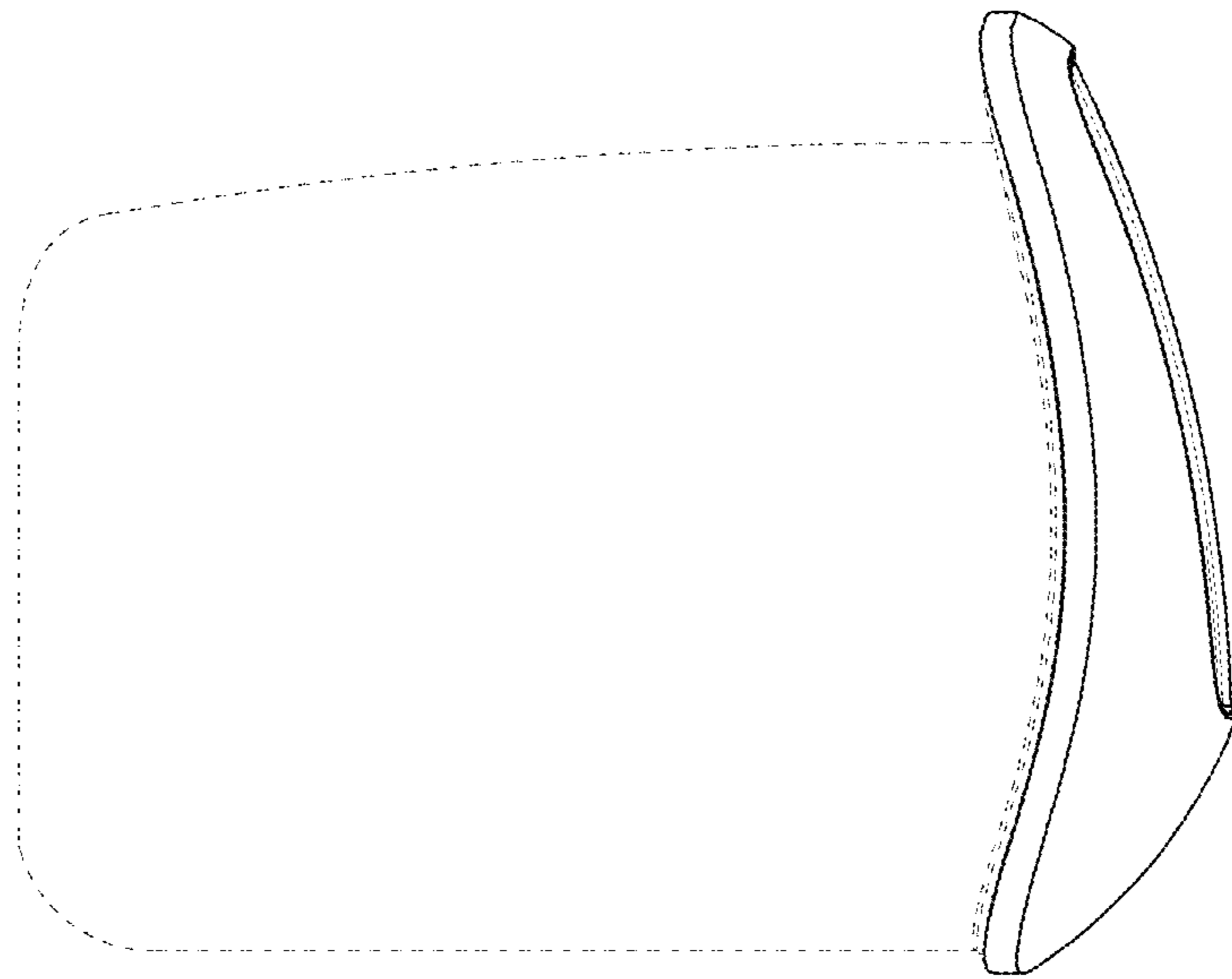
1.2



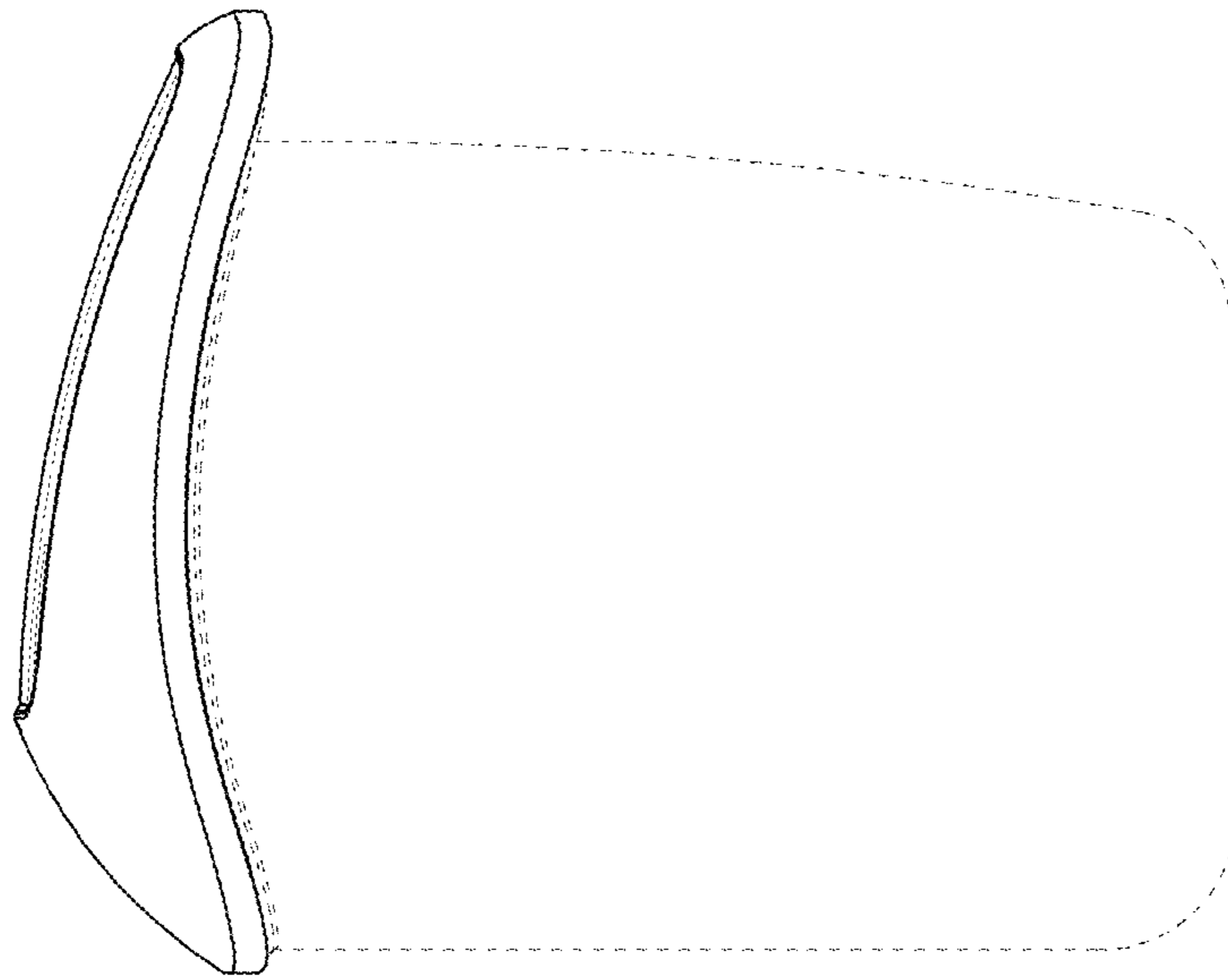
1.3



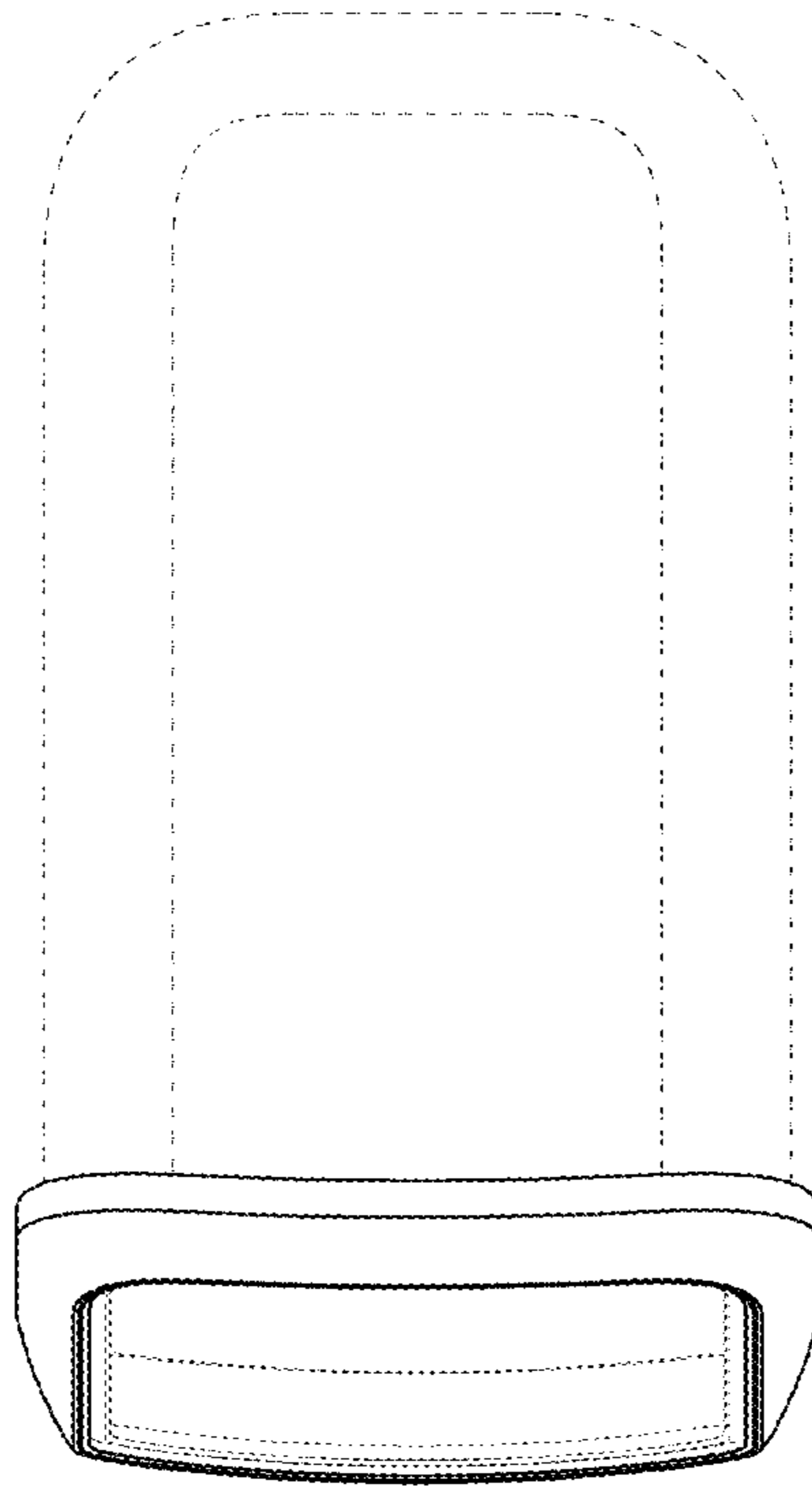
1.4



1.5

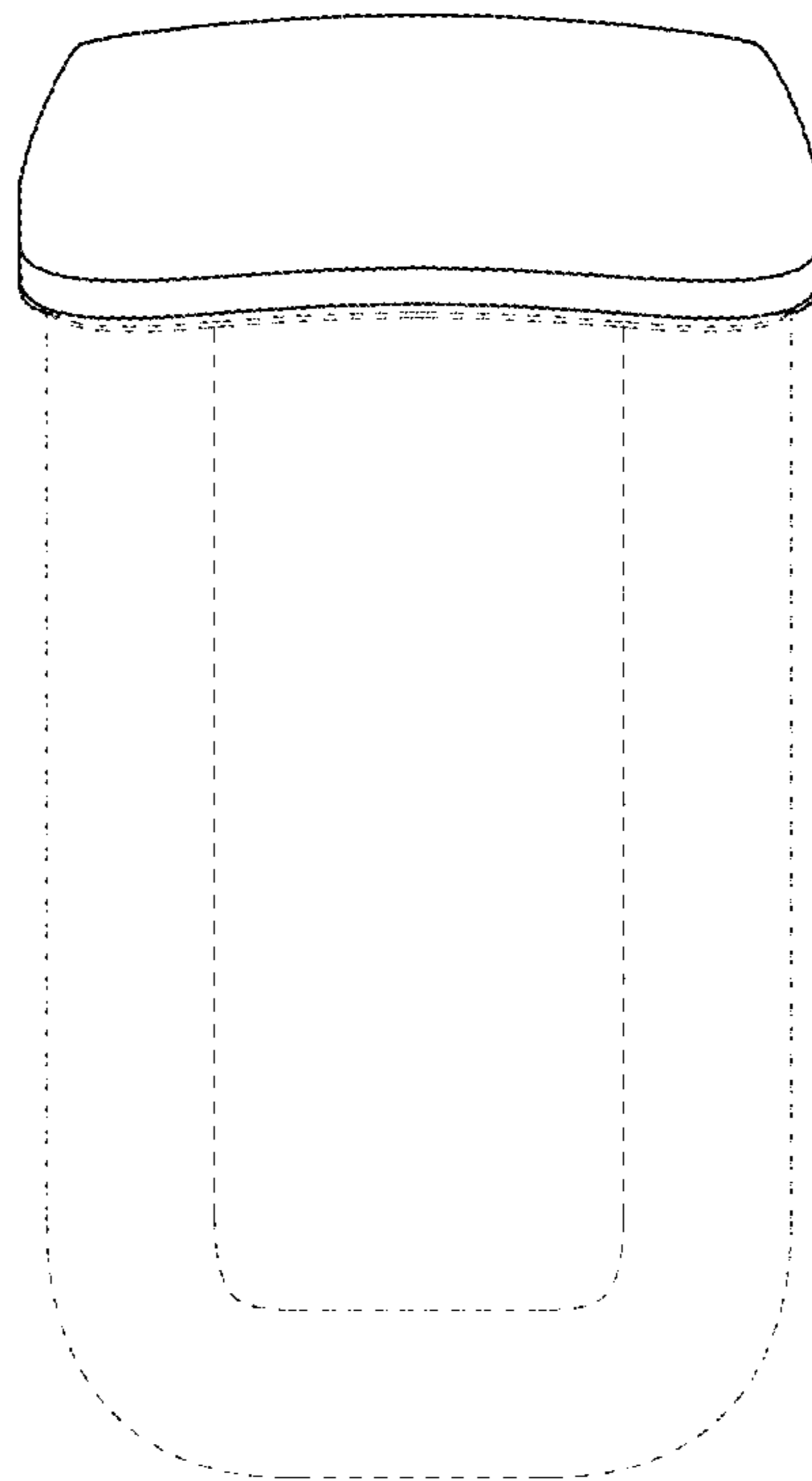


1.6

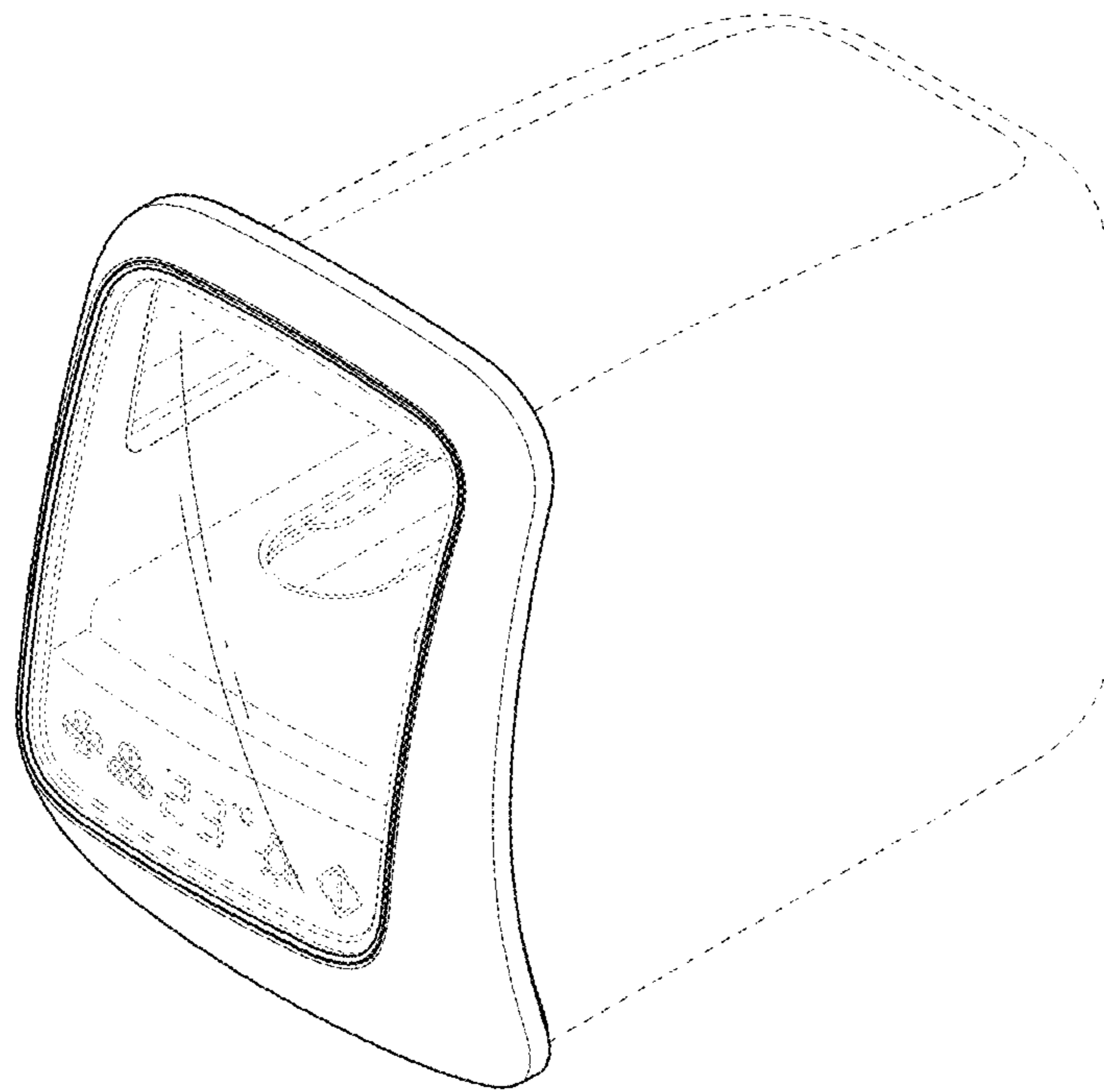




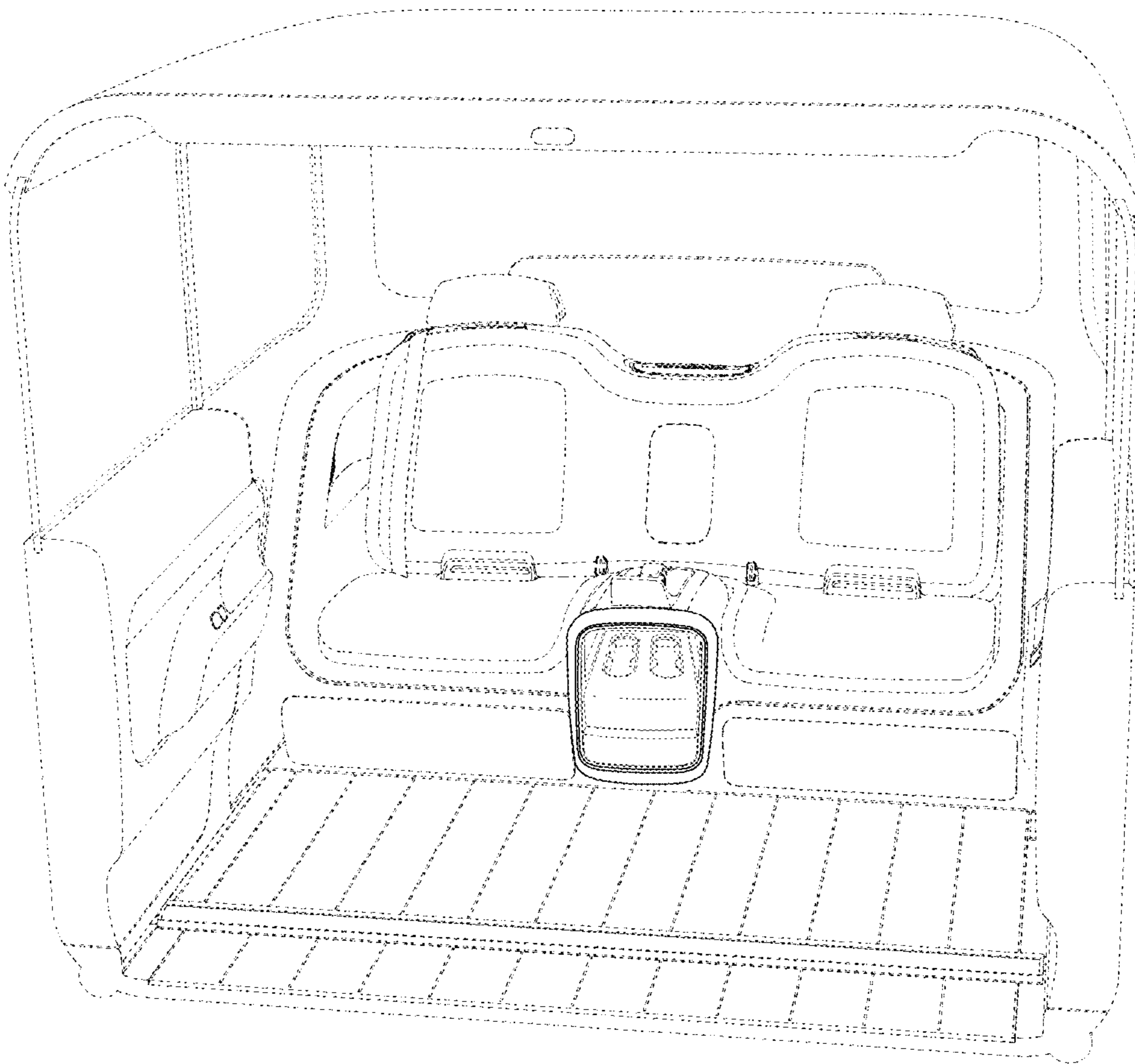
1.7



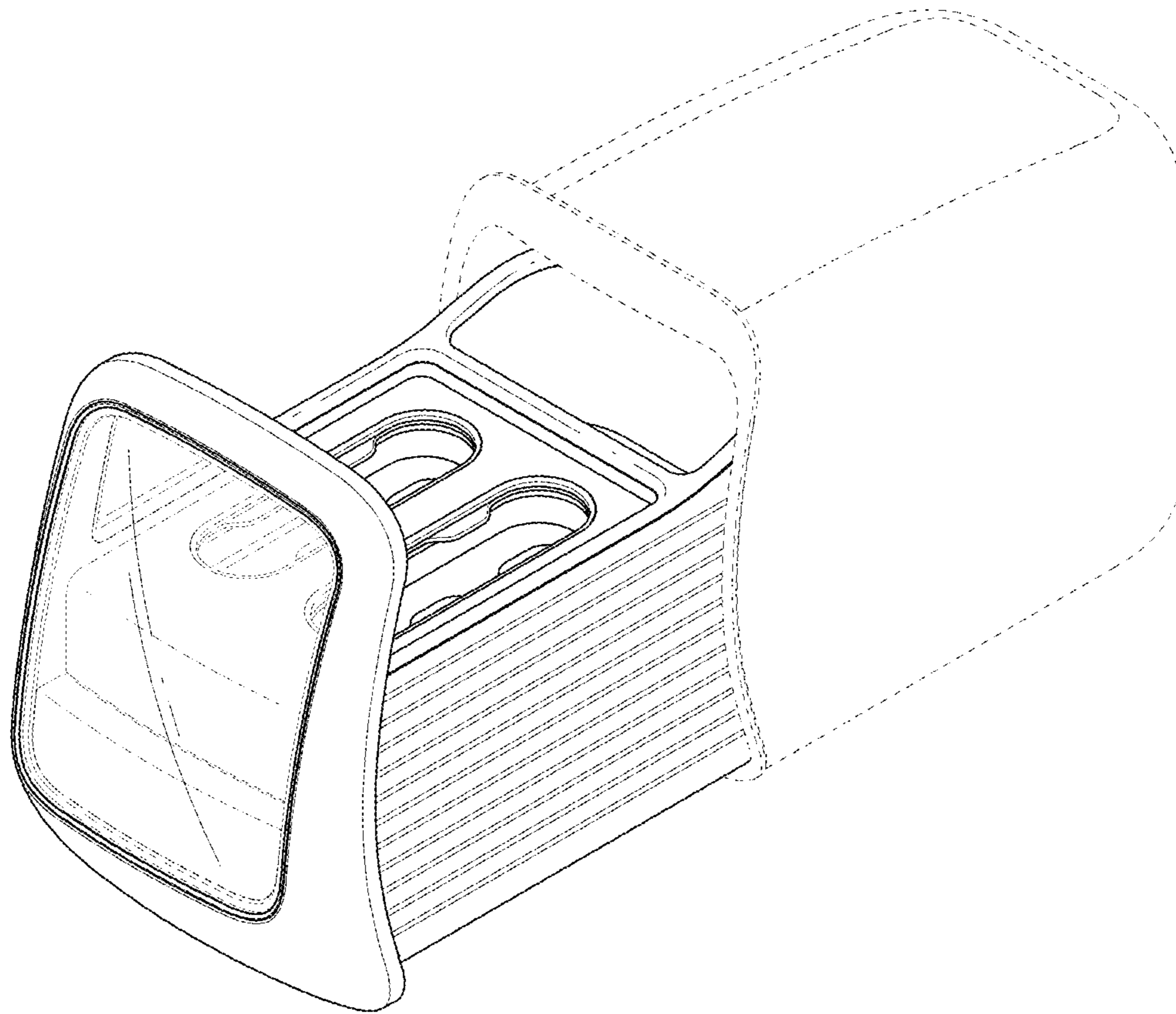
1.8



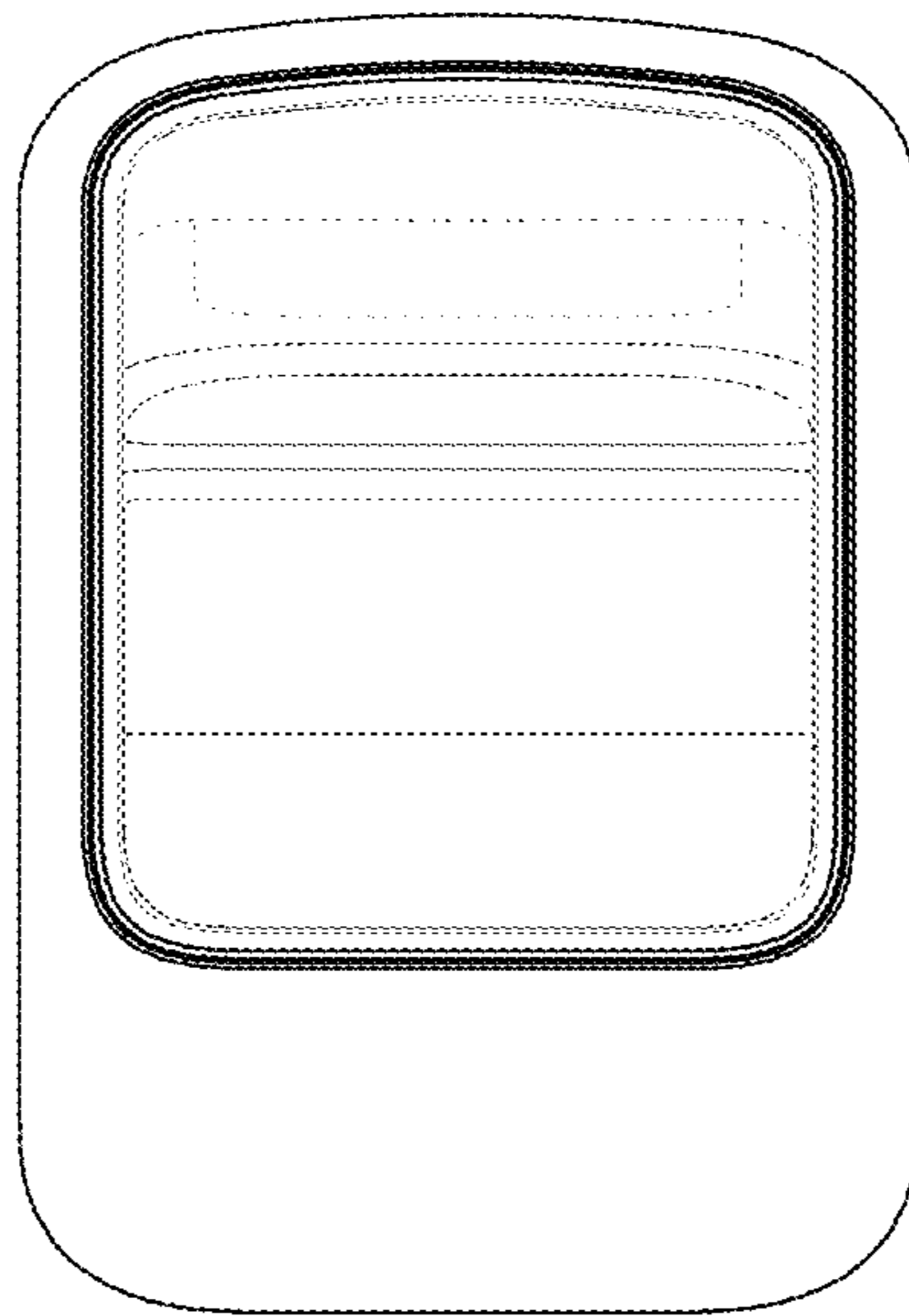
1.9



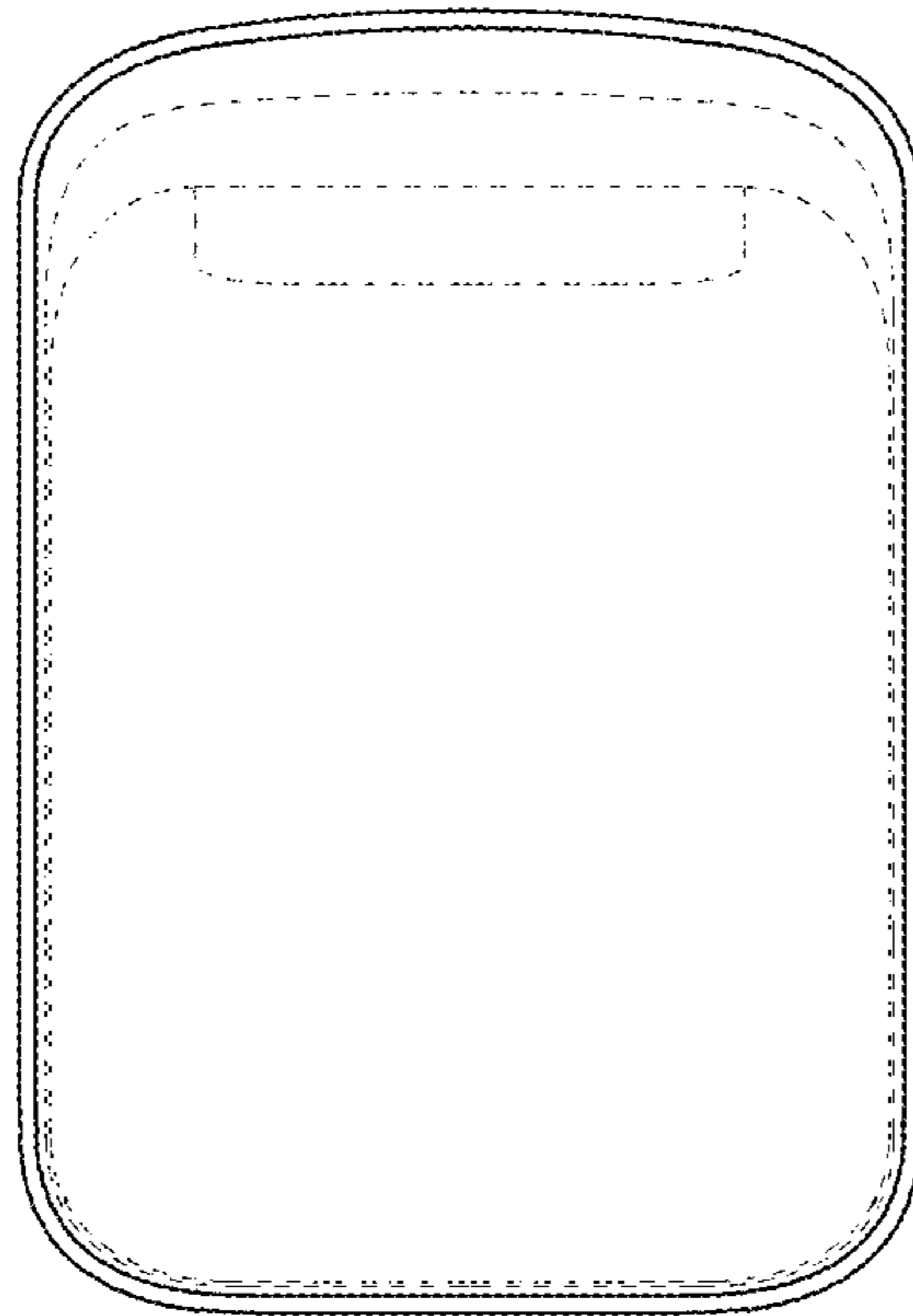
1.10



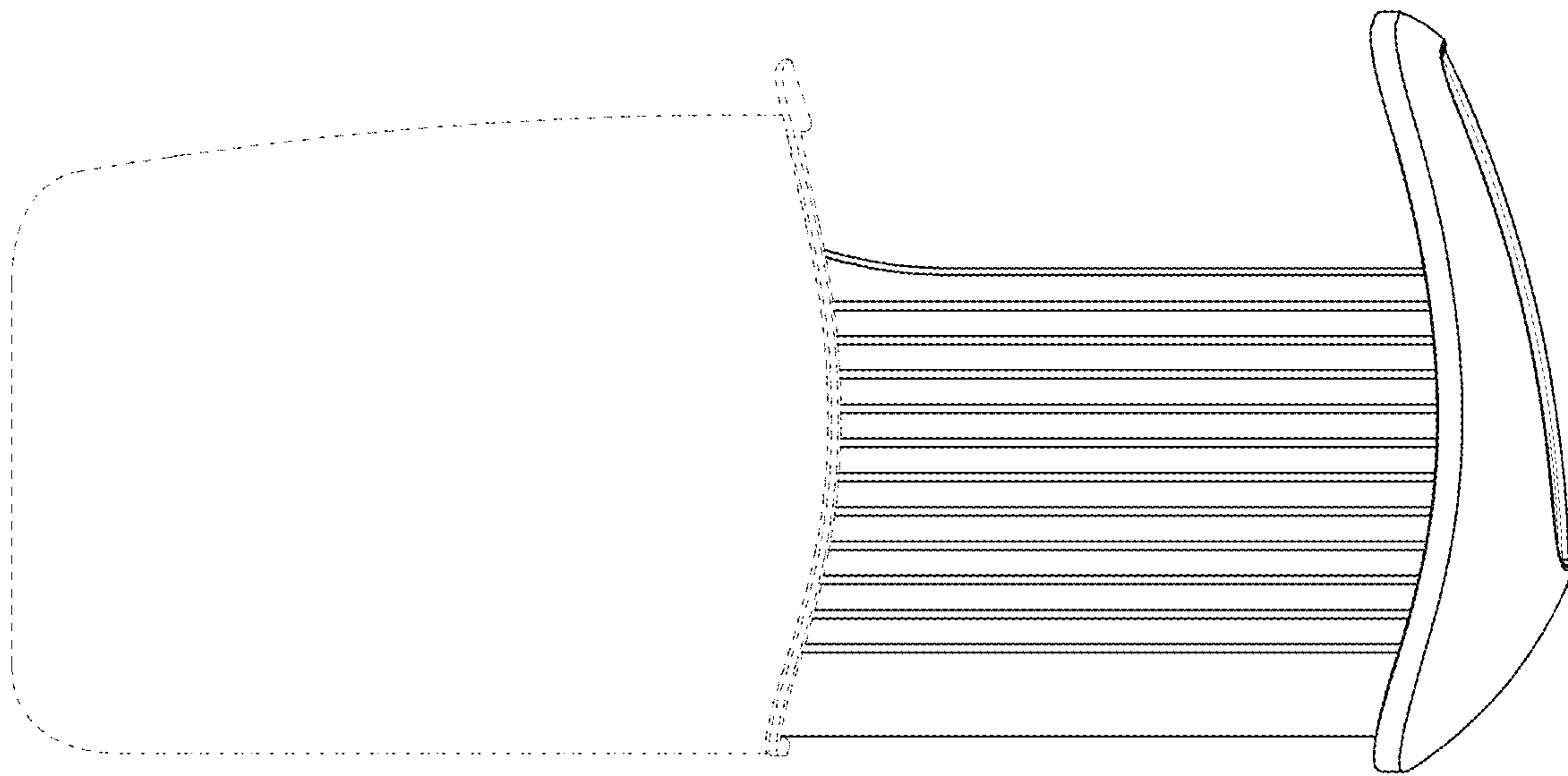
1.11



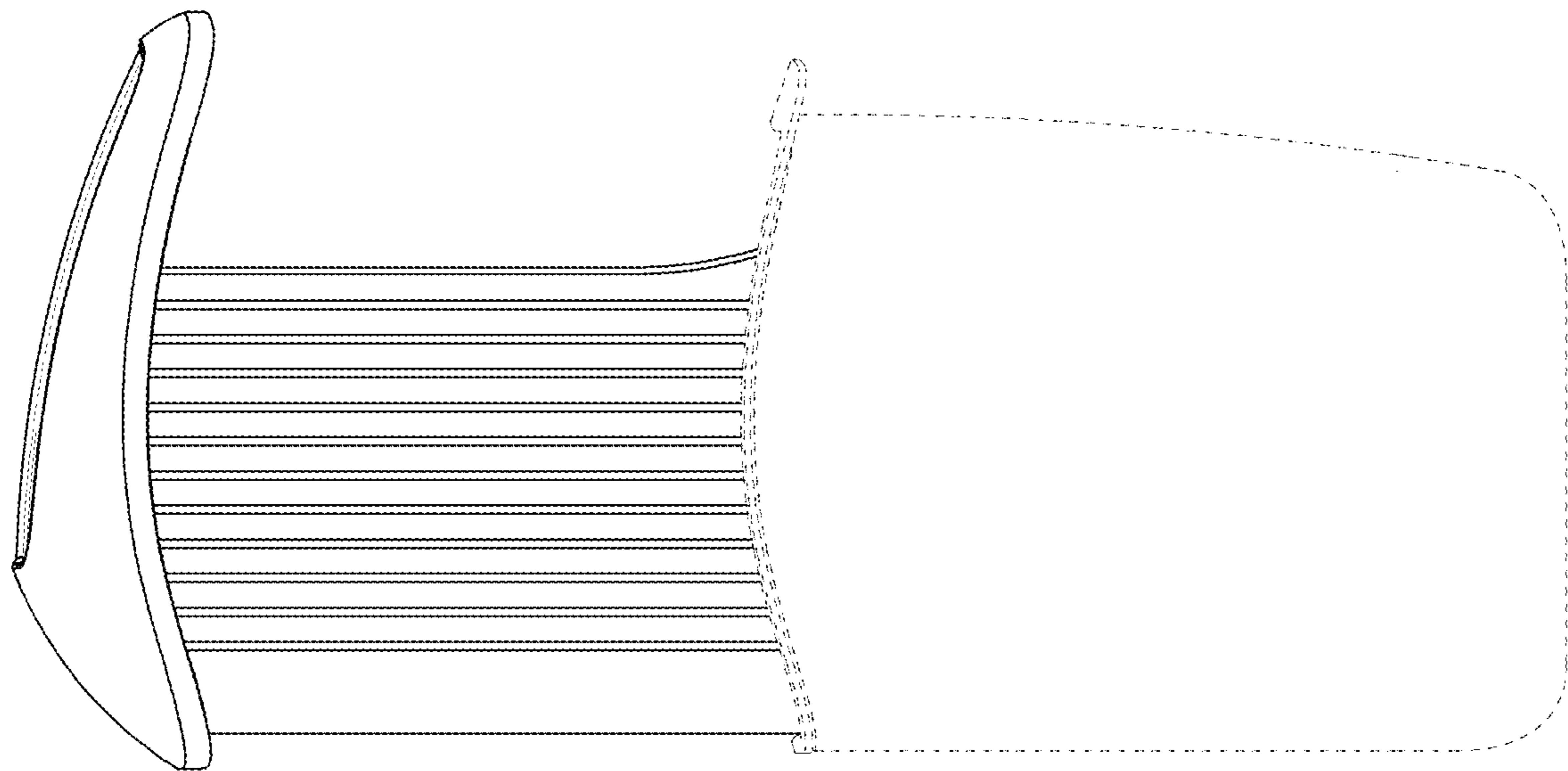
1.12



1.13

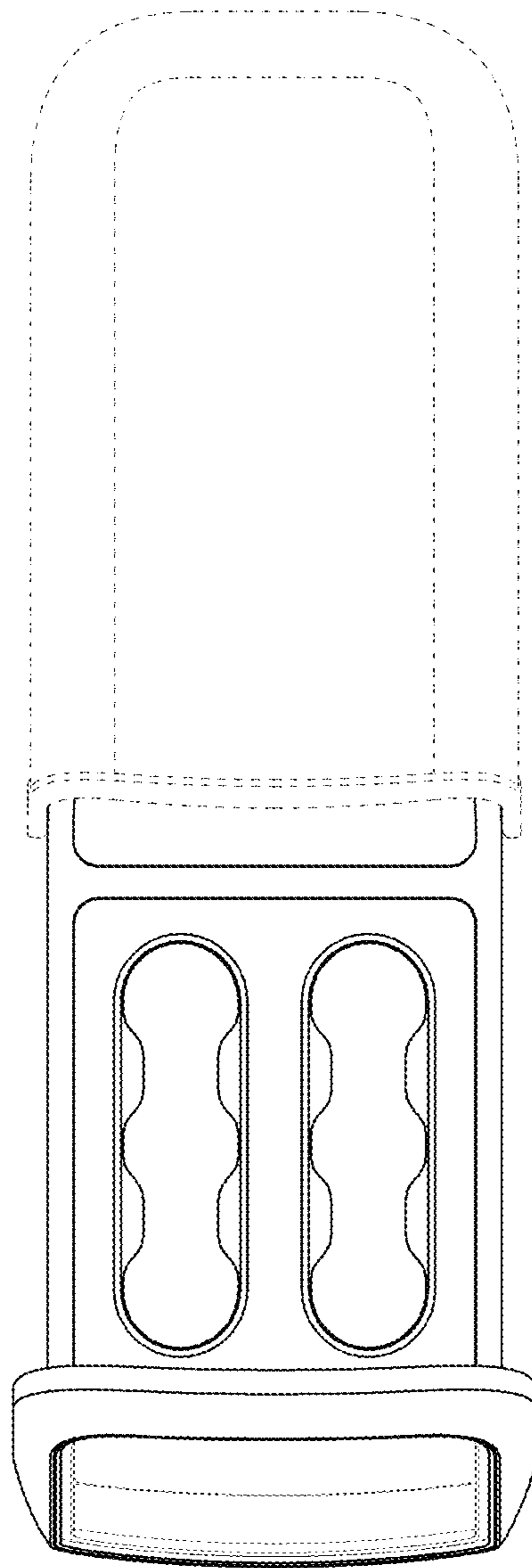


1.14





1.15



1.16

