



US00D955545S

(12) **United States Design Patent**
Barman et al.

(10) **Patent No.:** **US D955,545 S**
(45) **Date of Patent:** **** Jun. 21, 2022**

(54) **FILTER HOUSING**

(71) Applicant: **YAMASHIN AMERICA, INC.**, Mount Prospect, IL (US)

(72) Inventors: **Charles Barman**, Park Ridge, IL (US);
Adam Salwan Farhan, Palatine, IL (US)

(73) Assignee: **Yamashin America Inc.**, Mount Prospect, IL (US)

(**) Term: **15 Years**

(21) Appl. No.: **29/734,647**

(22) Filed: **May 14, 2020**

(51) **LOC (13) Cl.** **23-04**

(52) **U.S. Cl.**
USPC **D23/365**

(58) **Field of Classification Search**
USPC D23/200, 207, 209, 260, 261, 332, 333,
D23/351-367, 370, 388, 393, 397, 412;
D10/49; D13/168; D32/30
CPC ... A61L 9/00; A61L 9/02; A61L 9/012; A61L
9/03; A61L 9/032; A61L 9/035; A61L
9/037; A61L 9/04; A61L 9/12; A61L
9/122; A61L 2209/16; F24F 1/01; F24F
1/02; F24F 1/06; F24F 1/18; F24F 1/20;
F24F 1/22; F24F 1/24; F24F 1/32; F24F
1/62; F24F 1/0011; F24F 1/0014; F24F
1/0007; F24F 1/0018; F24F 1/0022; F24F
1/0029; F24F 1/0033; F24F 3/00; F24F
3/12; F24F 3/14; F24F 3/16; F24F 3/044;
F24F 3/048; F24F 3/065; F24F 5/001;
F24F 5/0017; F24F 5/0035; F24F 5/0003;
F24F 7/013;

(Continued)

(56) **References Cited**

U.S. PATENT DOCUMENTS

5,312,467 A * 5/1994 Wolfe A62B 23/025
55/493

D754,315 S * 4/2016 Morin D23/365

(Continued)

Primary Examiner — Gino Colan
Assistant Examiner — David O'Brien

(74) *Attorney, Agent, or Firm* — Wood, Phillips, Katz,
Clark & Mortimer

(57) **CLAIM**

The ornamental design for a filter housing, as shown and described.

DESCRIPTION

FIG. 1 is an exploded view of the inventive filter housing in relationship to a filter system component having a receptacle therefor and with the filter housing shown from a top, side, and end perspective view;

FIG. 2 is a view as in FIG. 1 with the filter housing shown from a top perspective and from the side and end opposite to the side and end in FIG. 1;

FIG. 3 is a bottom view of the filter housing;

FIG. 4 is a top, plan view of the filter housing;

FIG. 5 is an elevation view of the filter housing from the same side as in FIG. 2;

FIG. 6 is an elevation view of the filter housing from the same side in FIG. 1;

FIG. 7 is an elevation view of the filter housing from the same end as in FIG. 1;

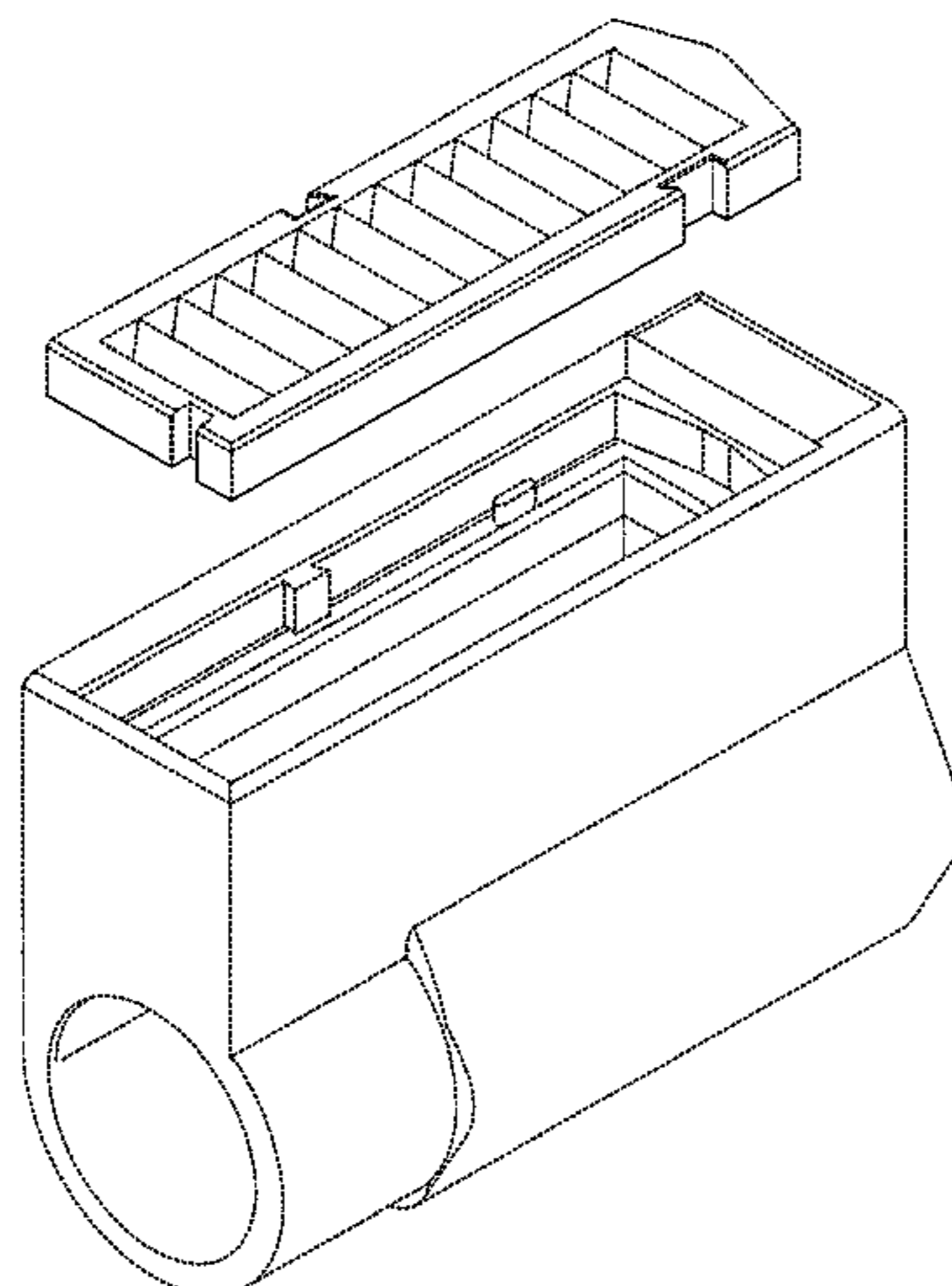
FIG. 8 is an elevation view of the filter housing from the same end as in FIG. 2; and,

FIG. 9 is a top elevation view of the filter housing in relationship to the filter system component shown in FIGS. 1 and 2.

The broken lines shown in the figures are for the purpose of illustrating portions of the filter housing and form no part of the claimed design.

The broken lines showing the filter system component in FIGS. 1, 2, and 9 are for the purpose of illustrating portions of the environmental structure and form no part of the claimed design.

1 Claim, 5 Drawing Sheets



(58) **Field of Classification Search**

CPC ... F24F 7/10; F24F 7/0227; F24F 6/06; B01D
46/008; B01D 46/0002; B01D 46/0005;
B01D 46/0006; B01D 46/0008; B01D
46/0009; B01D 46/0013; B01D 46/0028;
B01D 46/0032; B01D 46/0036; B01D
46/0043; B01D 46/10; B01D 46/12;
B01D 46/2422; B01D 46/4236; B01D
46/4245; B01D 46/521; A62B 23/025

See application file for complete search history.

(56) **References Cited**

U.S. PATENT DOCUMENTS

D862,017	S	*	10/2019	Dou	D32/30
D898,177	S	*	10/2020	Guo	D23/365
D927,673	S	*	8/2021	Hanson	D23/365
D928,301	S	*	8/2021	Hanson	D23/365
2010/0126129	A1	*	5/2010	Kim	B01D 46/10 55/494
2011/0225939	A1	*	9/2011	Loggins	B01D 46/0005 55/357

* cited by examiner

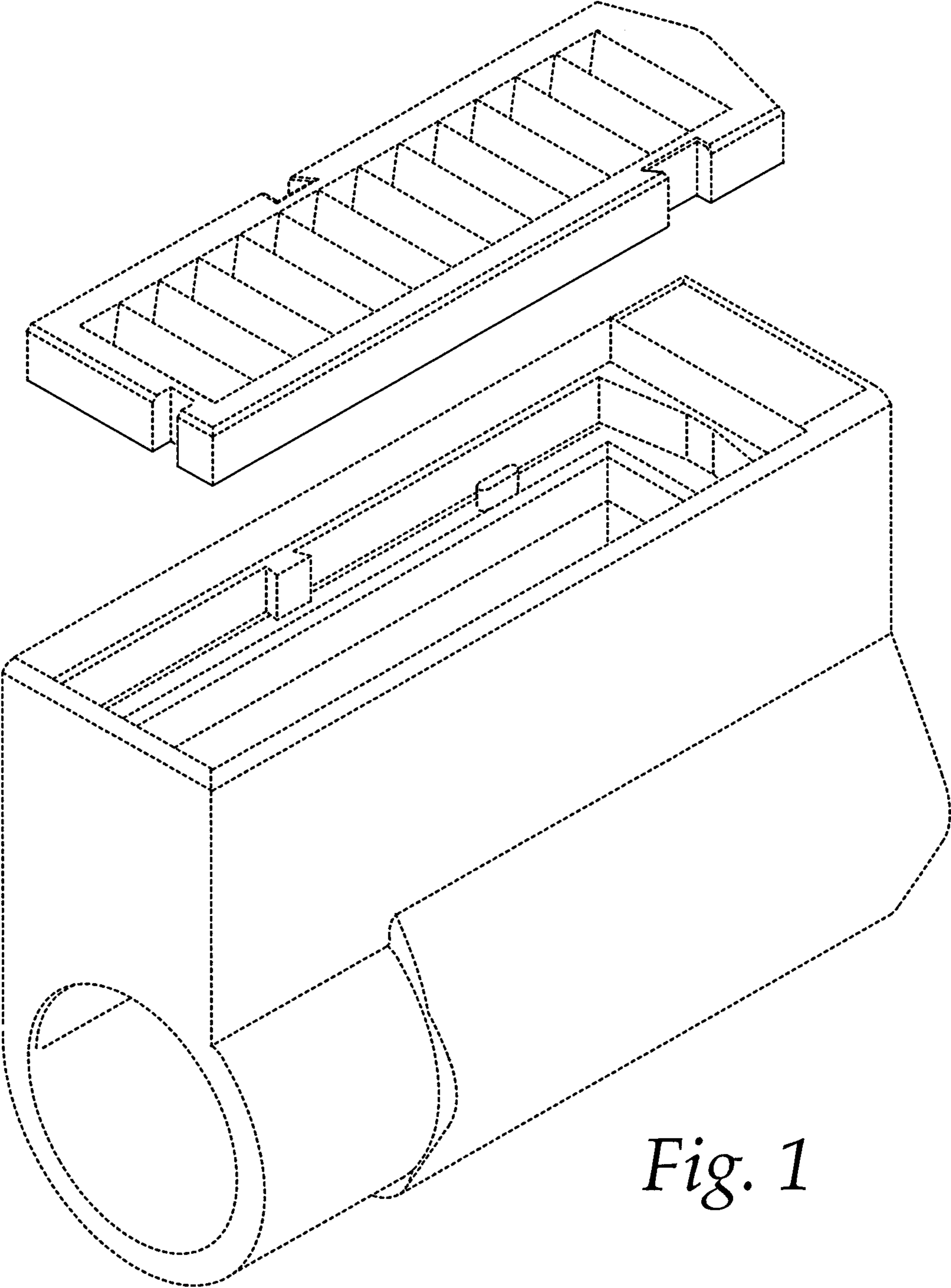


Fig. 1

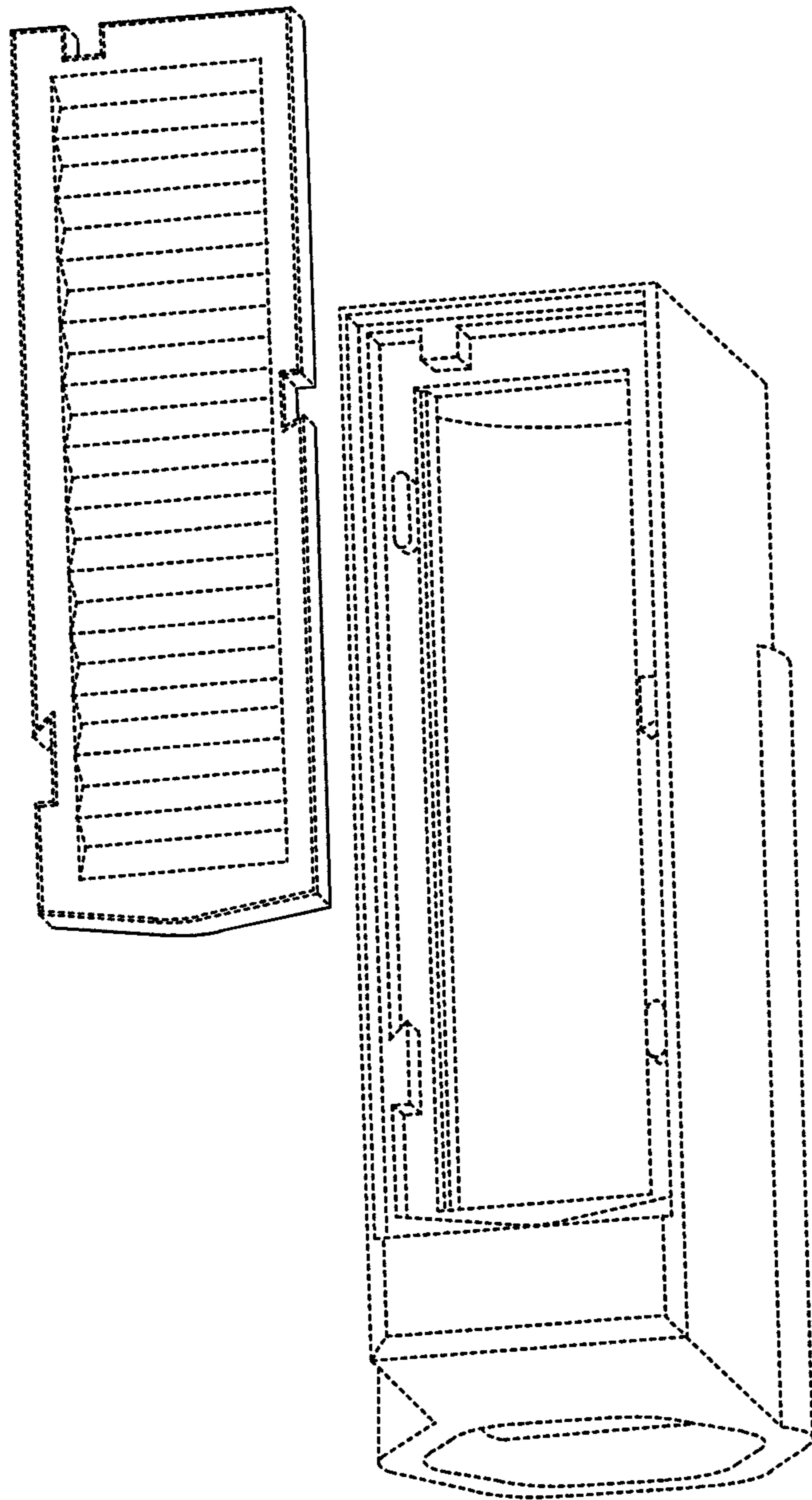


Fig. 2

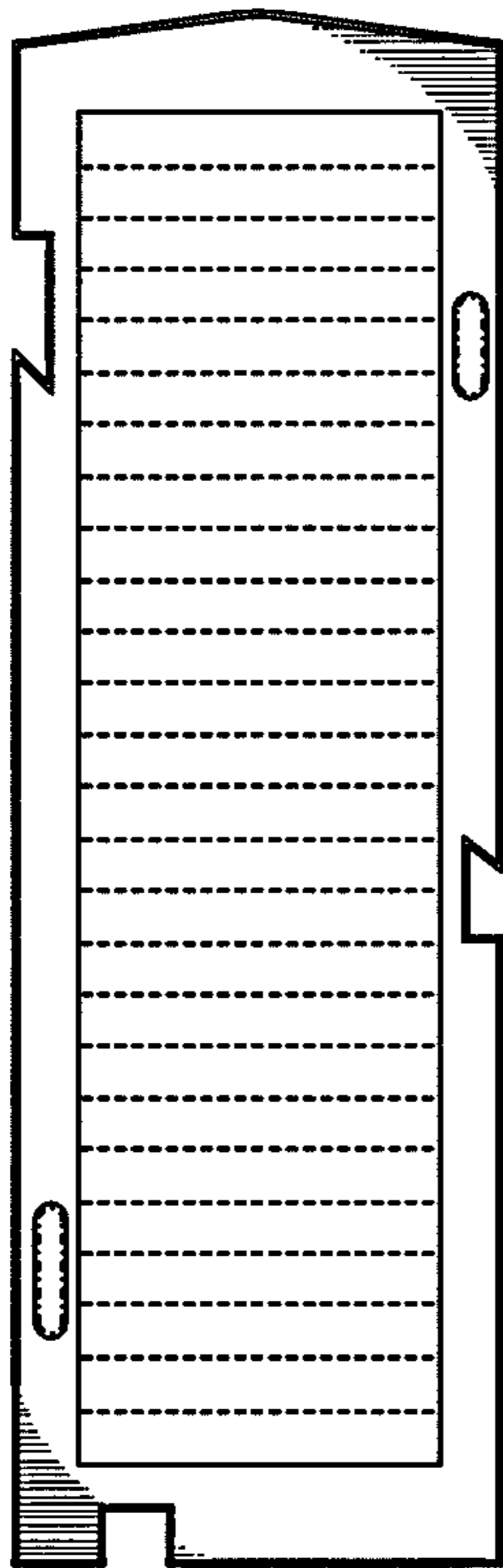


Fig. 3

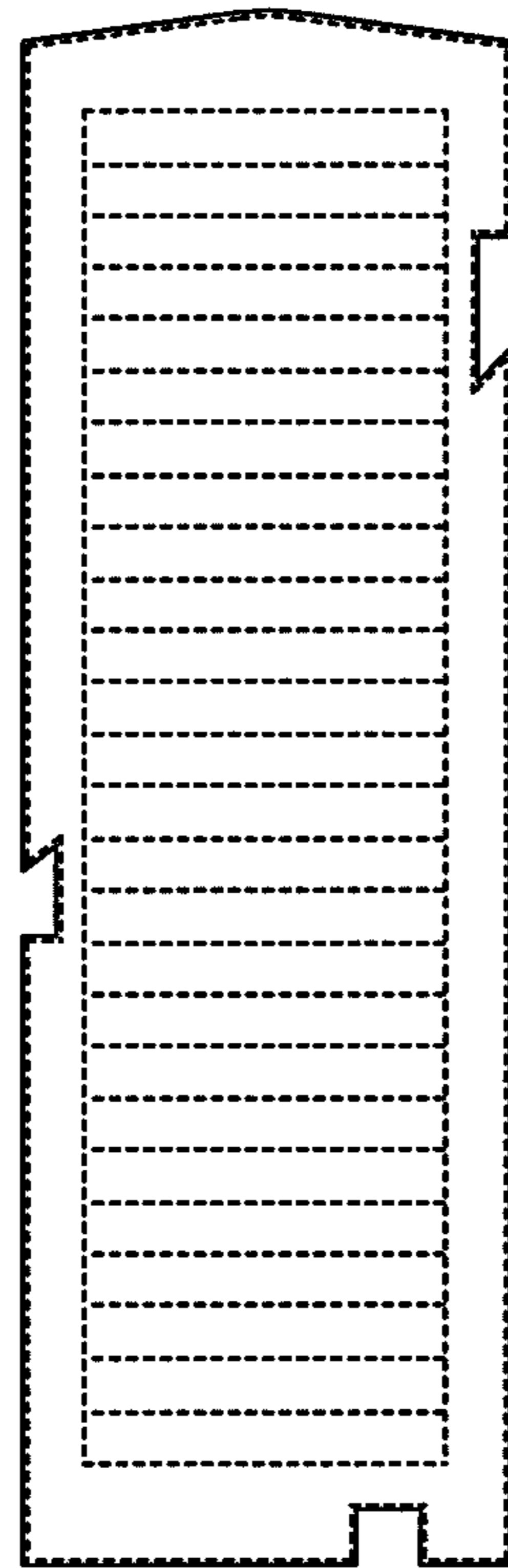


Fig. 4

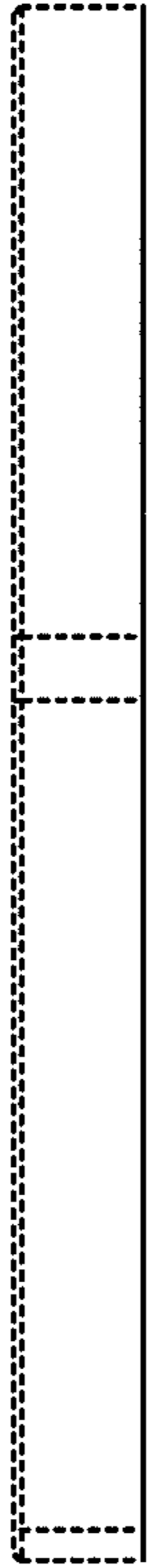


Fig. 5

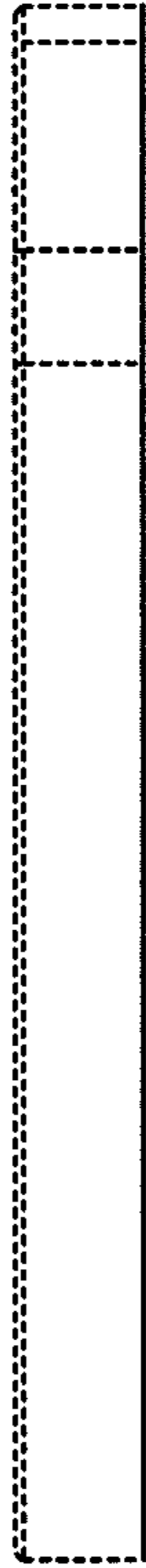


Fig. 6

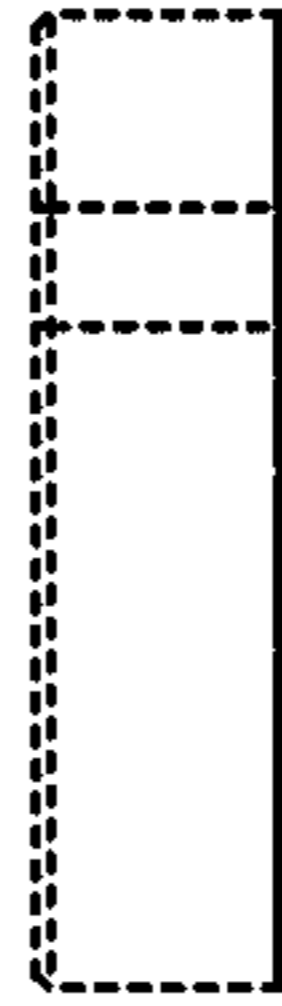


Fig. 7

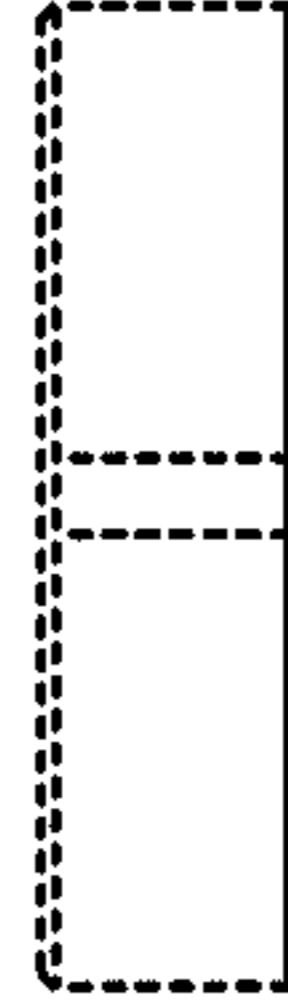


Fig. 8

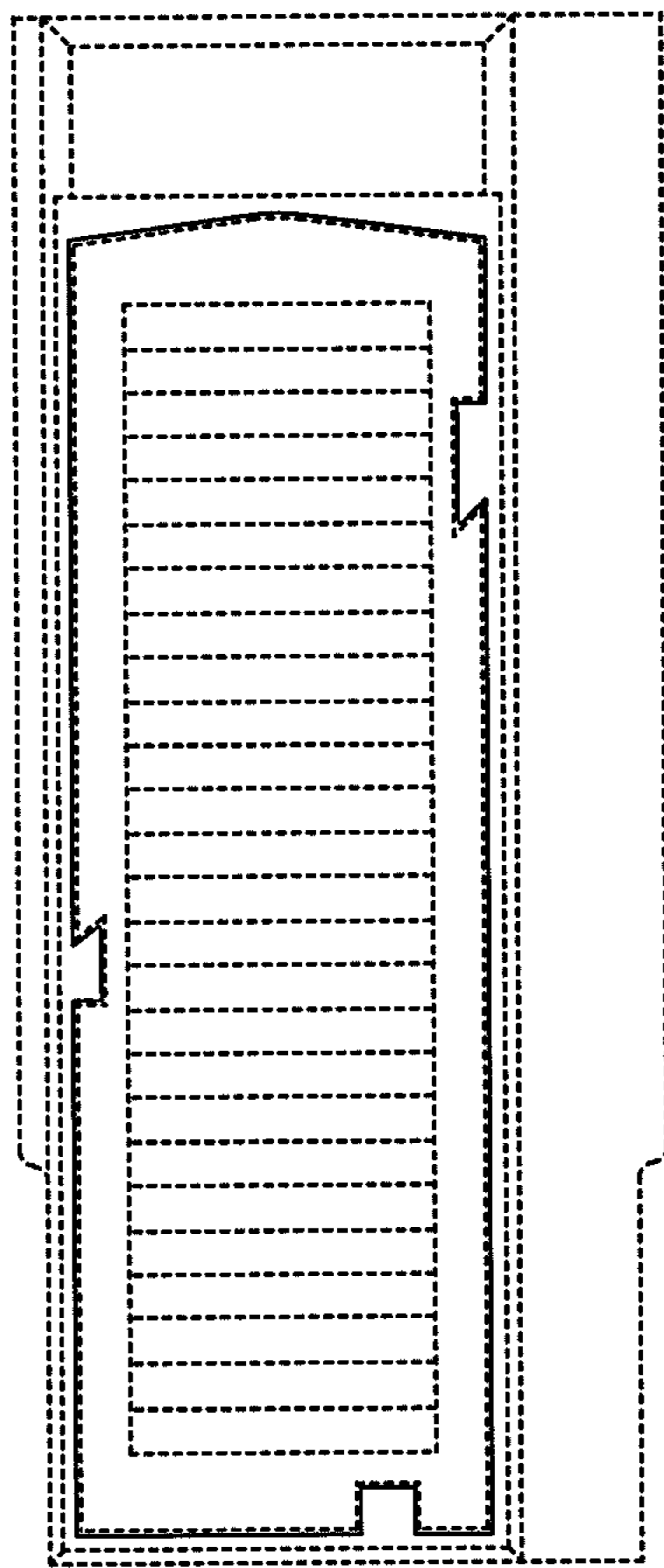


Fig. 9