



US00D955544S

(12) **United States Design Patent**  
**Rollo et al.**

(10) **Patent No.:** **US D955,544 S**  
(45) **Date of Patent:** **\*\* Jun. 21, 2022**

(54) **AIR FILTER**

(71) Applicants: **Tomas Arevalo**, Boston, MA (US);  
**Ulysses Richard Brenzel**, Boston, MA (US); **Thomas Garity**, Boston, MA (US); **Elizabeth Goodfield**, Boston, MA (US); **Vincent Eric Hock**, Boston, MA (US); **Rachel Kim**, Boston, MA (US); **Rick Yuanzheng Li**, Boston, MA (US); **Benjamin Harper Nigrovic**, Brookline, MA (US); **Ludovico Rollo**, Boston, MA (US); **David Andrew Ziwei Xie**, Boston, MA (US); **Alexander Young**, Boston, MA (US); **Genevieve Youngman**, Boston, MA (US)

(72) Inventors: **Ludovico Rollo**, Boston, MA (US); **Tomas Arevalo**, Boston, MA (US); **Thomas Garity**, Boston, MA (US); **Elizabeth Goodfield**, Boston, MA (US); **Brian J. O'Rourke, III**, Boston, MA (US); **Luke Randolph**, Boston, MA (US); **Allegra Rollo**, Boston, MA (US)

(73) Assignees: **Tomas Arevalo**, Boston, MA (US); **Ulysses Richard Brenzel**, Boston, MA (US); **Thomas Garity**, Boston, MA (US); **Elizabeth Goodfield**, Boston, MA (US); **Vincent Eric Hock**, Boston, MA (US); **Rachel Kim**, Boston, MA (US); **Rick Yuanzheng Li**, Boston, MA (US); **Benjamin Harper Nigro Vic**, Brookline, MA (US); **Ludovico Rollo**, Boston, MA (US); **David Andrew Ziwei Xie**, Boston, MA (US); **Alexander Young**, Boston, MA (US); **Genevieve Youngman**, Boston, MA (US)

(\*\*) Term: **15 Years**

(21) Appl. No.: **29/726,956**

(22) Filed: **Mar. 6, 2020**

(51) **LOC (13) Cl.** ..... **23-04**

(52) **U.S. Cl.**  
USPC ..... **D23/365**

(58) **Field of Classification Search**  
USPC ..... D23/209, 314, 325, 333-336, 355-366, D23/386-388

(Continued)

(56) **References Cited**

**U.S. PATENT DOCUMENTS**

D393,901 S \* 4/1998 Kuhn ..... D23/366  
6,793,702 B2 9/2004 Eswarappa  
(Continued)

**FOREIGN PATENT DOCUMENTS**

CN 203946207 U 11/2014  
CN 203969286 U 12/2014

(Continued)

**OTHER PUBLICATIONS**

U.S. Appl. No. 16/811,752, filed Mar. 6, 2020, Rollo et al.

*Primary Examiner* — John A Voytek

(74) *Attorney, Agent, or Firm* — Wolf, Greenfield & Sacks, P.C.

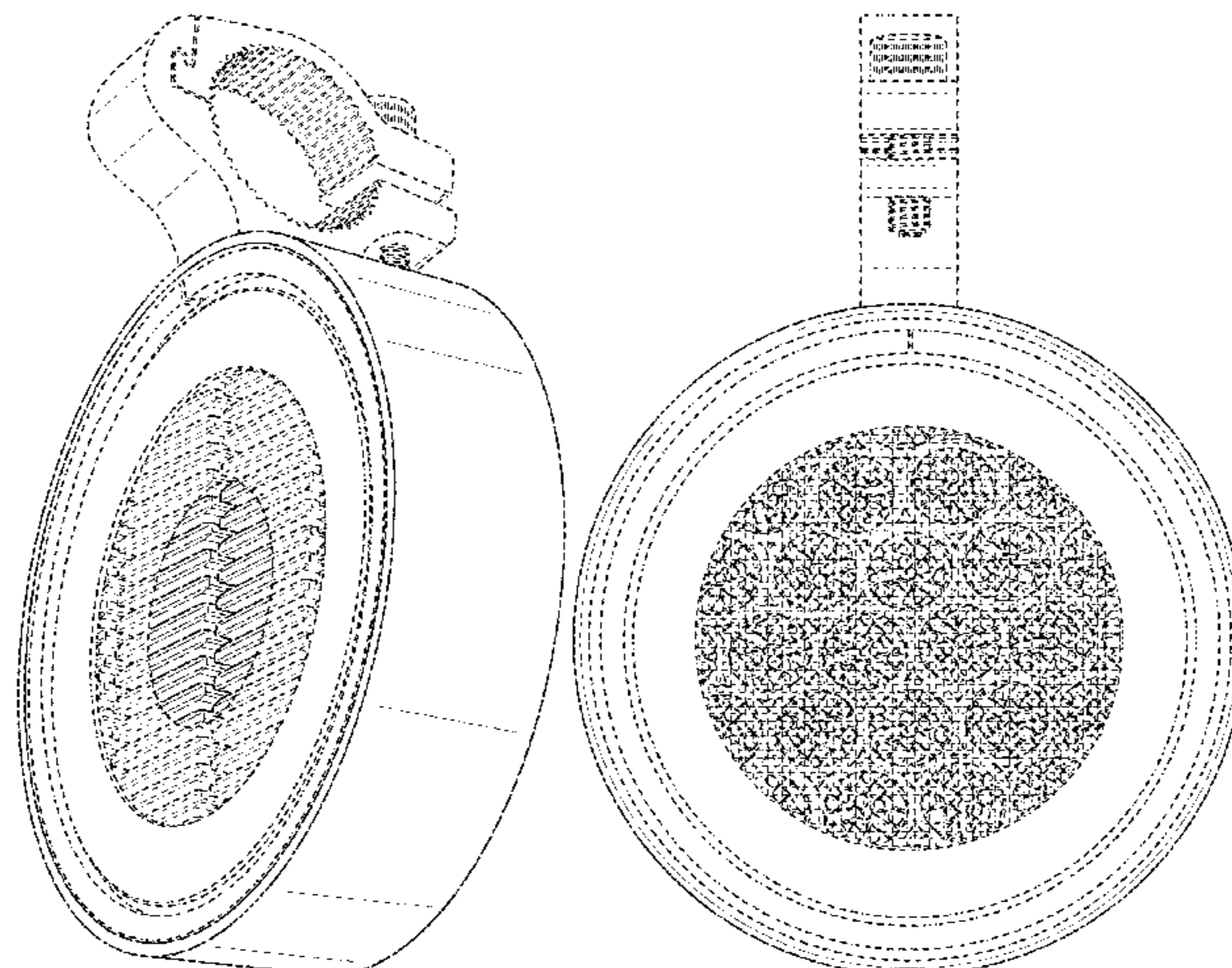
(57) **CLAIM**

The ornamental design for an air filter, as shown and described.

**DESCRIPTION**

FIG. 1 is a bottom, front, right side perspective view of an air filter showing our new design;  
FIG. 2 is a front elevation view thereof;  
FIG. 3 is a rear elevation view thereof;  
FIG. 4 is a left side elevation view thereof;  
FIG. 5 is a right side elevation view thereof;  
FIG. 6 is a top plan view thereof; and,  
FIG. 7 is a bottom plan view thereof.

(Continued)



The dash-dot broken lines adjacent to the shaded areas represent boundaries of the claimed design and form no part thereof. All other broken lines represent unclaimed portions of the air filter and form no part of the claimed design.

1 Claim, 7 Drawing Sheets

(58) Field of Classification Search

CPC ..... Y10T 428/1366; B32B 2597/00; B01D 46/00; B01D 46/0004; B01D 27/04; F25D 17/042; A61L 9/01

See application file for complete search history.

(56) References Cited

U.S. PATENT DOCUMENTS

D583,037 S \* 12/2008 Kenny ..... D23/366
D588,688 S \* 3/2009 Lablaine ..... D23/368
D768,113 S \* 10/2016 Lee ..... D14/216

D807,215 S \* 1/2018 Martin ..... D10/104.1
D822,004 S \* 7/2018 Tan ..... D14/216
D834,771 S \* 11/2018 Theno ..... D30/199
D898,787 S \* 10/2020 Fornander ..... D15/147
D926,303 S \* 7/2021 Cho ..... D23/366
2003/0012680 A1\* 1/2003 Balsys ..... B32B 5/16
422/5
2012/0153038 A1\* 6/2012 Willert ..... A61L 9/12
239/34
2014/0079264 A1\* 3/2014 Minarik ..... H04R 1/023
381/332

FOREIGN PATENT DOCUMENTS

CN 203969340 U 12/2014
CN 204223072 U 3/2015
CN 205516055 U 8/2016
CN 107158860 A 9/2017
CN 108162679 A 6/2018
CN 109533145 A 3/2019
GB 2316324 A 2/1998

\* cited by examiner

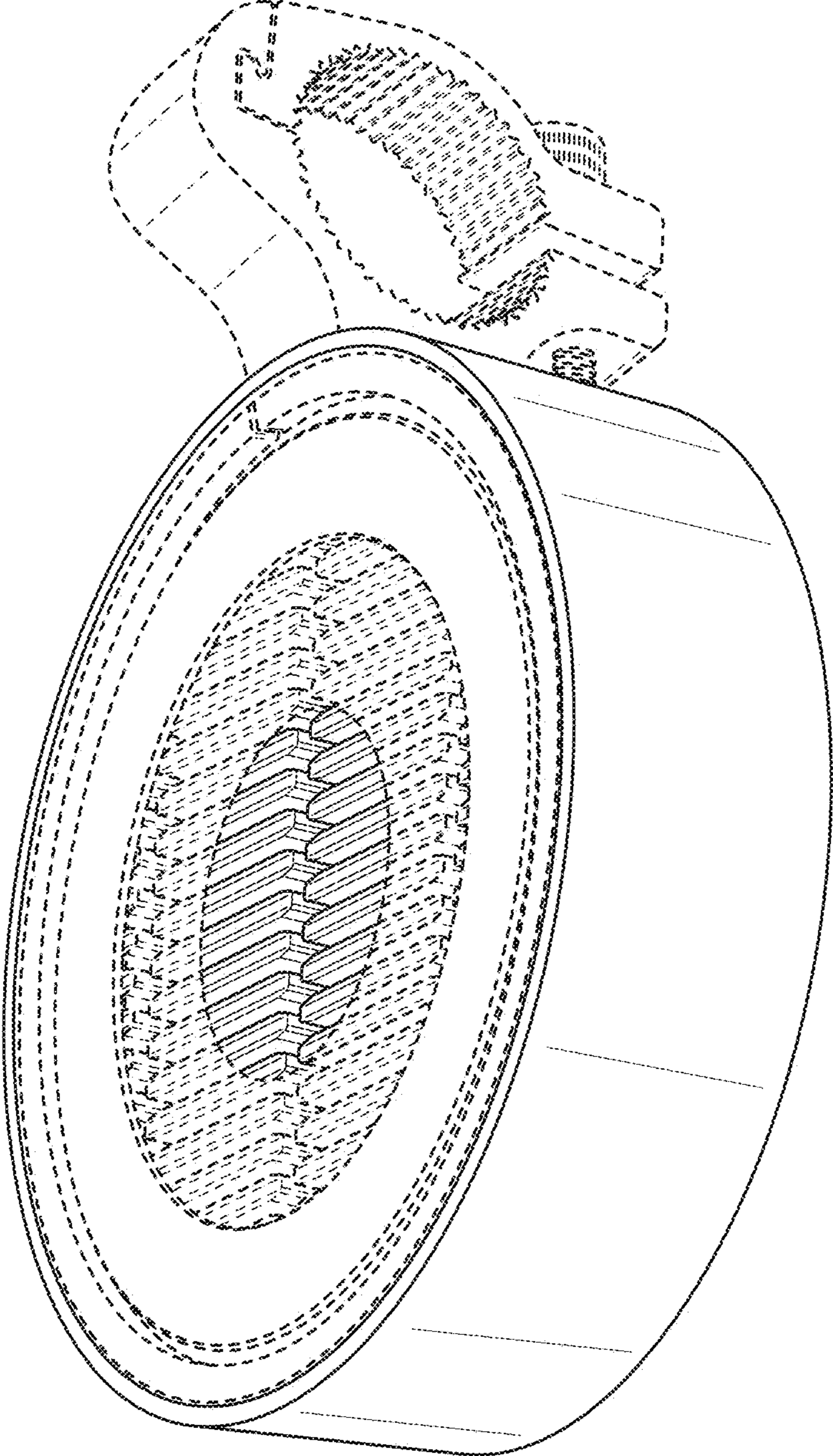


FIG. 1

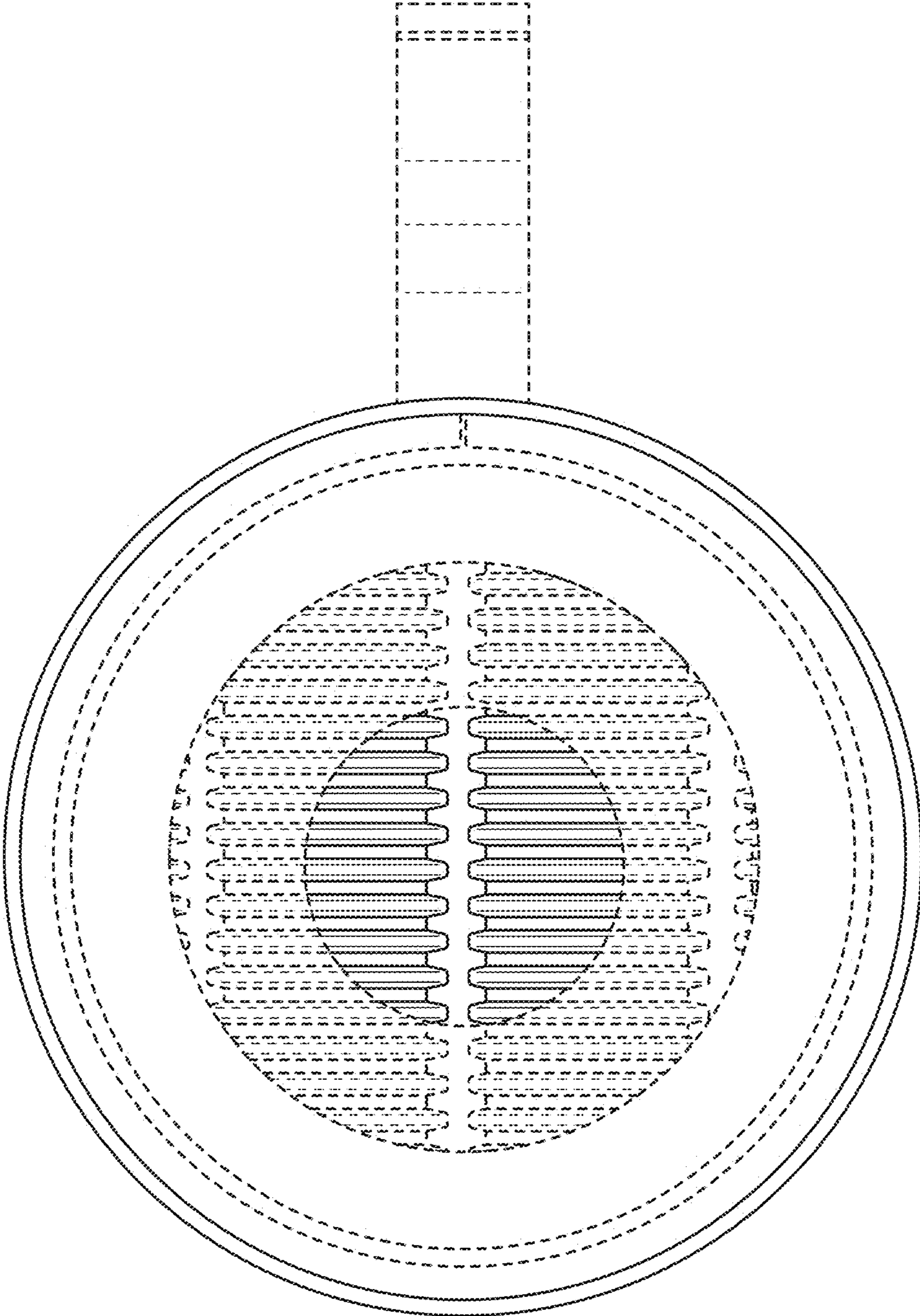


FIG. 2

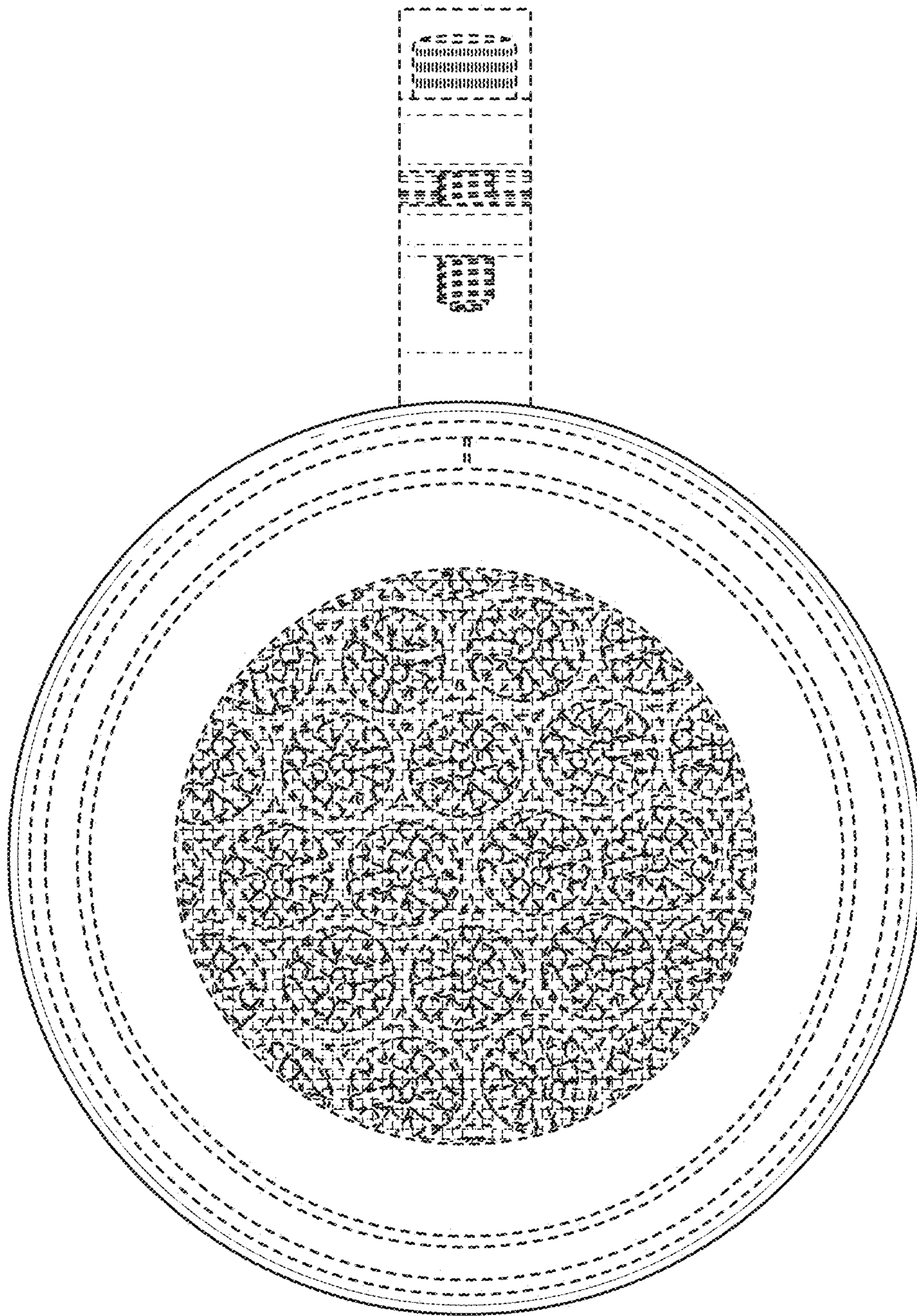


FIG. 3

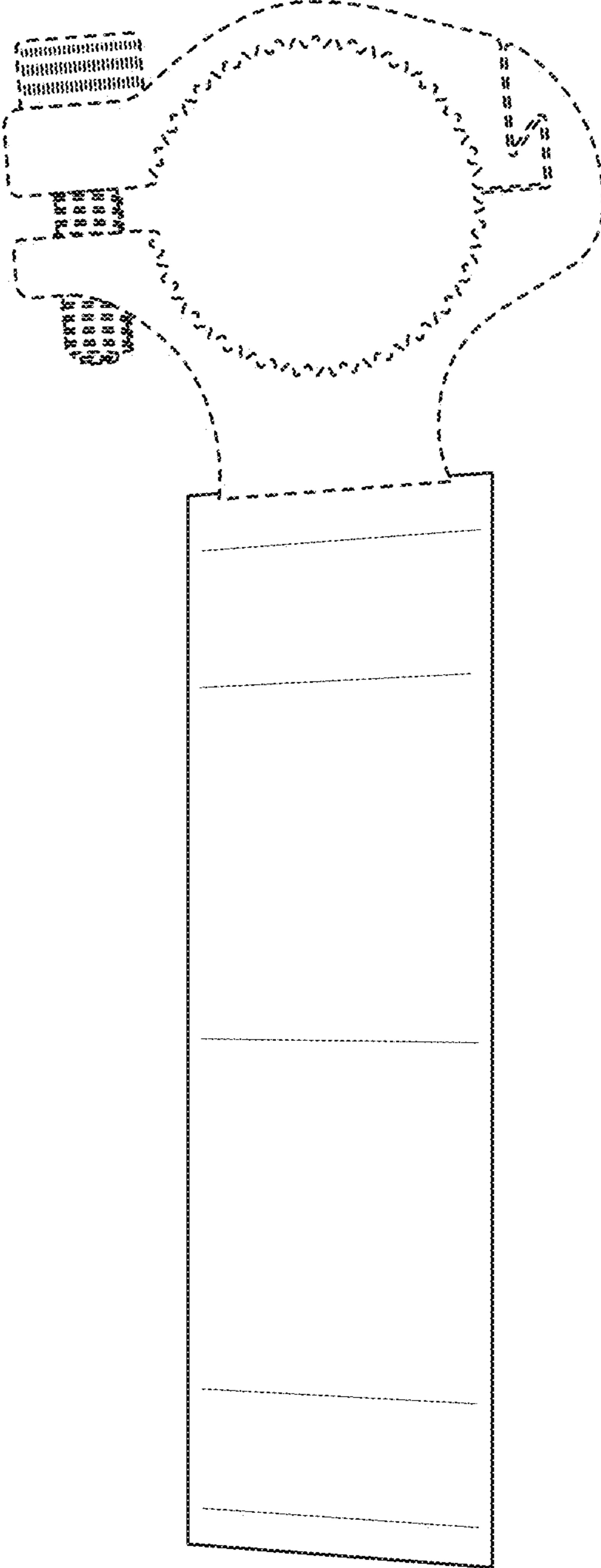


FIG. 4

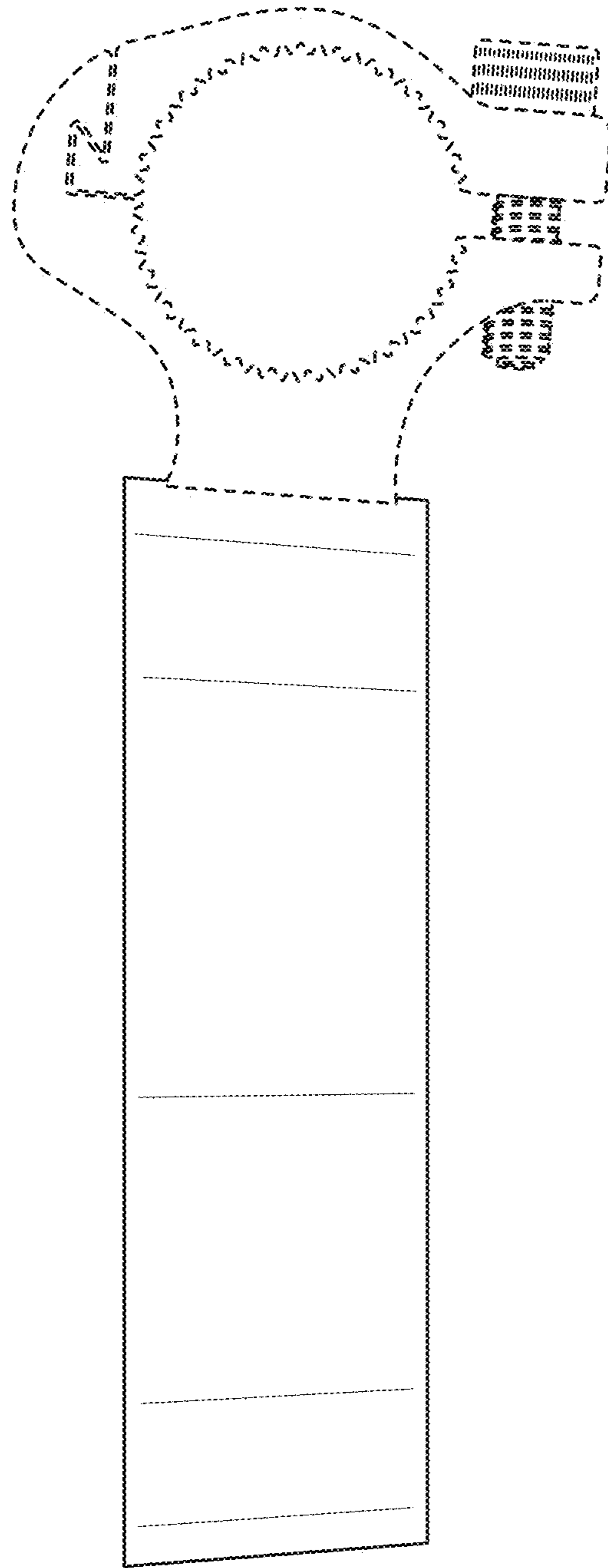


FIG. 5

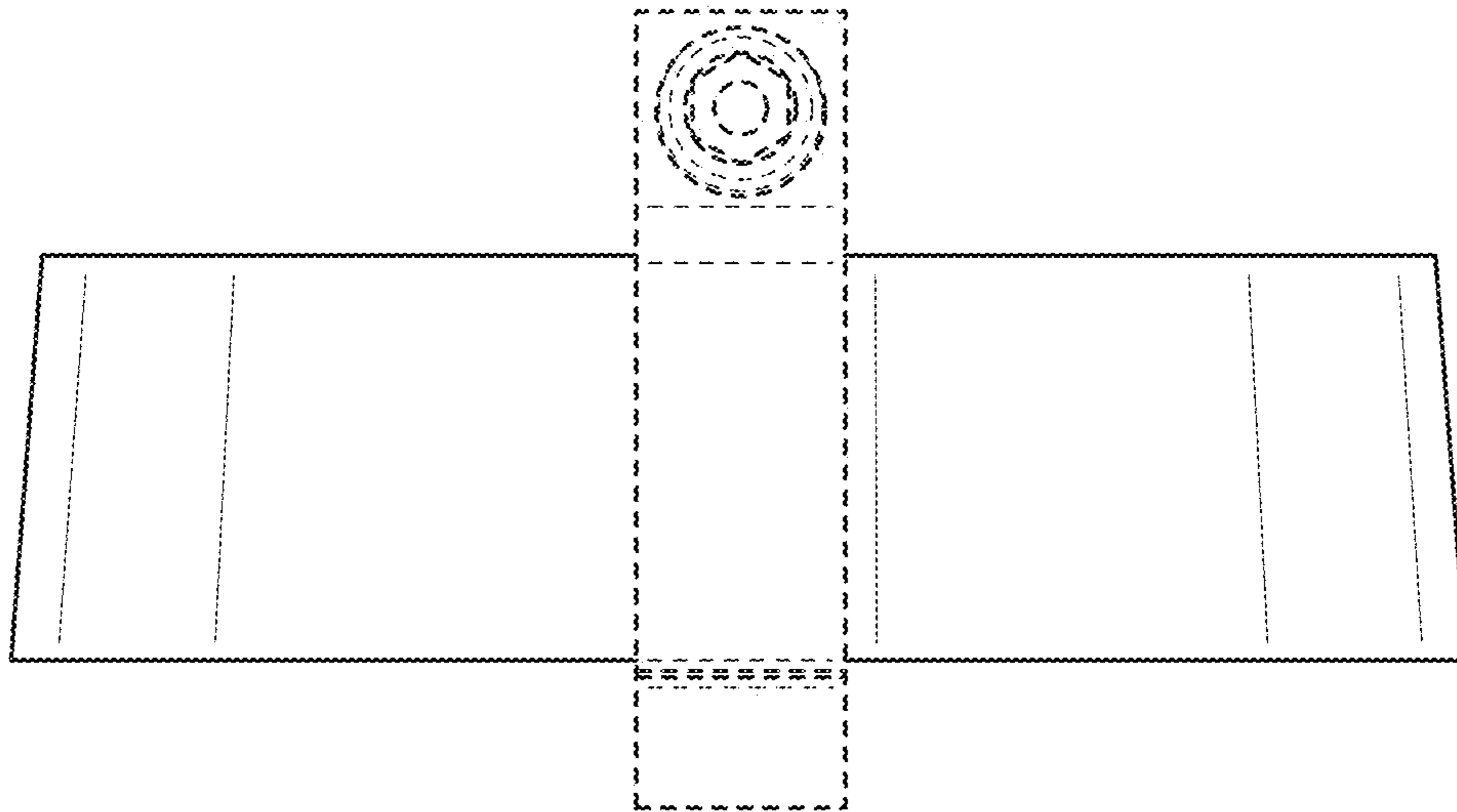


FIG. 6



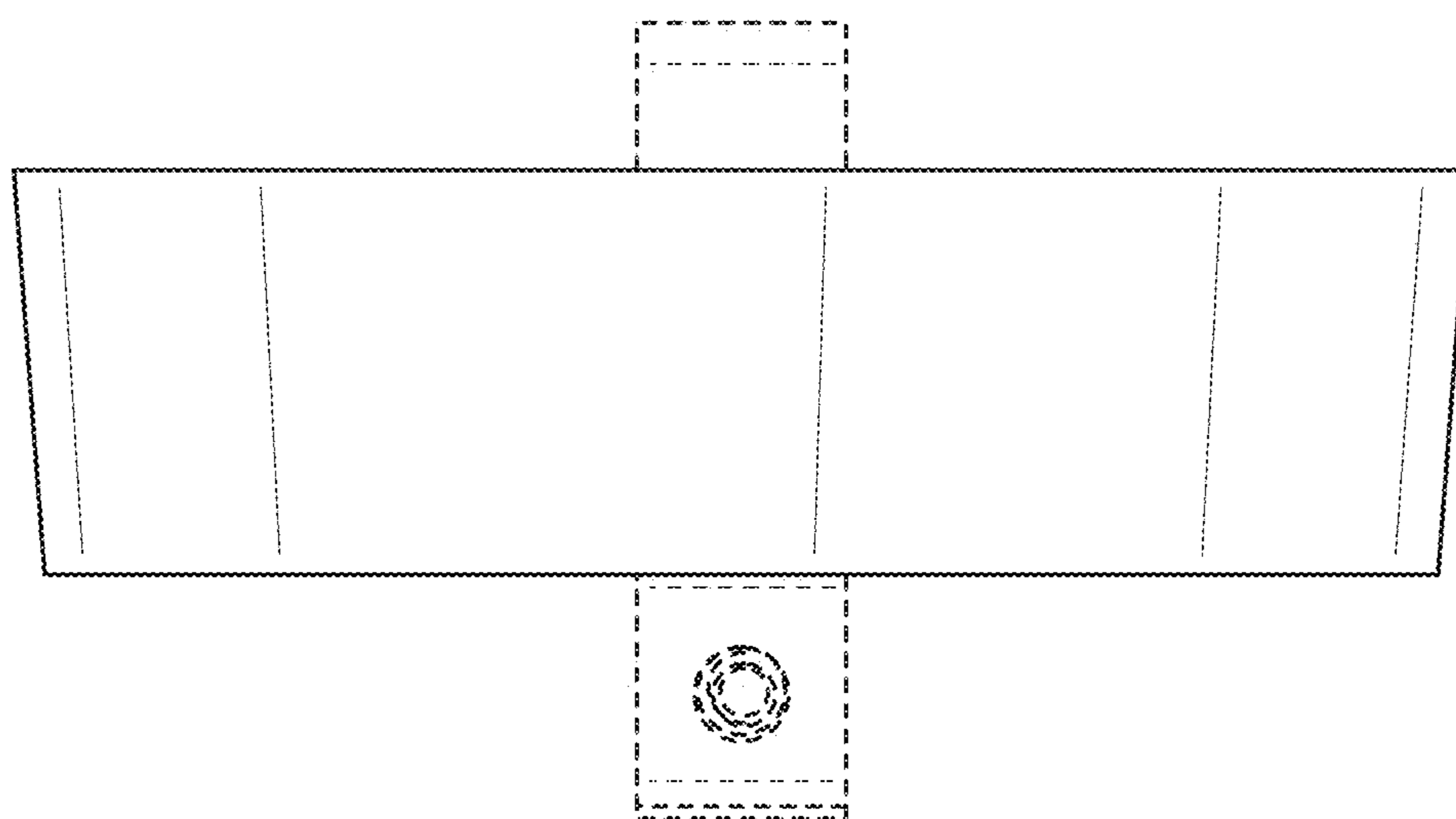


FIG. 7