



US00D955539S

(12) **United States Design Patent**
Manta

(10) **Patent No.:** **US D955,539 S**
(45) **Date of Patent:** **** Jun. 21, 2022**

(54) **IONIZER**

D572,354 S * 7/2008 Tsuchiya D23/355
D636,840 S * 4/2011 Yasuoka D23/207
D636,841 S * 4/2011 Yasuoka D23/207

(71) Applicant: **SMC CORPORATION**, Chiyoda-ku
(JP)

(Continued)

(72) Inventor: **Yuji Manta**, Tsukubamirai (JP)

Primary Examiner — Karen S Acker

Assistant Examiner — Jonathan E Fiencke

(73) Assignee: **SMC CORPORATION**, Chiyoda-ku
(JP)

(74) *Attorney, Agent, or Firm* — Oblon, McClelland,
Maier & Neustadt, L.L.P.

(**) Term: **15 Years**

(57) **CLAIM**

The ornamental design for an ionizer, as shown and described.

(21) Appl. No.: **29/716,127**

DESCRIPTION

(22) Filed: **Dec. 6, 2019**

(30) **Foreign Application Priority Data**

Jul. 19, 2019 (JP) 2019-016287

(51) **LOC (13) Cl.** **23-04**

(52) **U.S. Cl.**
USPC **D23/355**

(58) **Field of Classification Search**

USPC D23/202, 207–210, 213, 221, 272–274,
D23/284, 301, 308, 316, 355–365

CPC B01D 35/30; B01D 35/153; B01D 35/306;
B01D 2201/30; B01D 2201/29; C02F
1/002; H01T 23/00

See application file for complete search history.

(56) **References Cited**

U.S. PATENT DOCUMENTS

3,624,448 A * 11/1971 Saurenman H05F 3/04
361/231
3,697,806 A * 10/1972 Herbert, Jr. H05F 3/04
361/230
6,403,040 B1 * 6/2002 Sasakura H01T 23/00
422/186.04
D550,340 S * 9/2007 Sato B41J 2/175
D23/355

FIG. 1 is a front, top, and left side perspective view of an ionizer;

FIG. 2 is a front, bottom, and right side perspective view thereof;

FIG. 3 is a front, bottom, and left side perspective view thereof;

FIG. 4 is a front elevational view thereof;

FIG. 5 is a rear elevational view thereof;

FIG. 6 is a top plan view thereof; and

FIG. 7 is a bottom plan view thereof;

FIG. 8 is a left side elevational view thereof;

FIG. 9 is a right side elevational view thereof;

FIG. 10 is an enlarged front view of area 10 circumscribed within FIG. 4;

FIG. 11 is an enlarged bottom view area 11 circumscribed within FIG. 7;

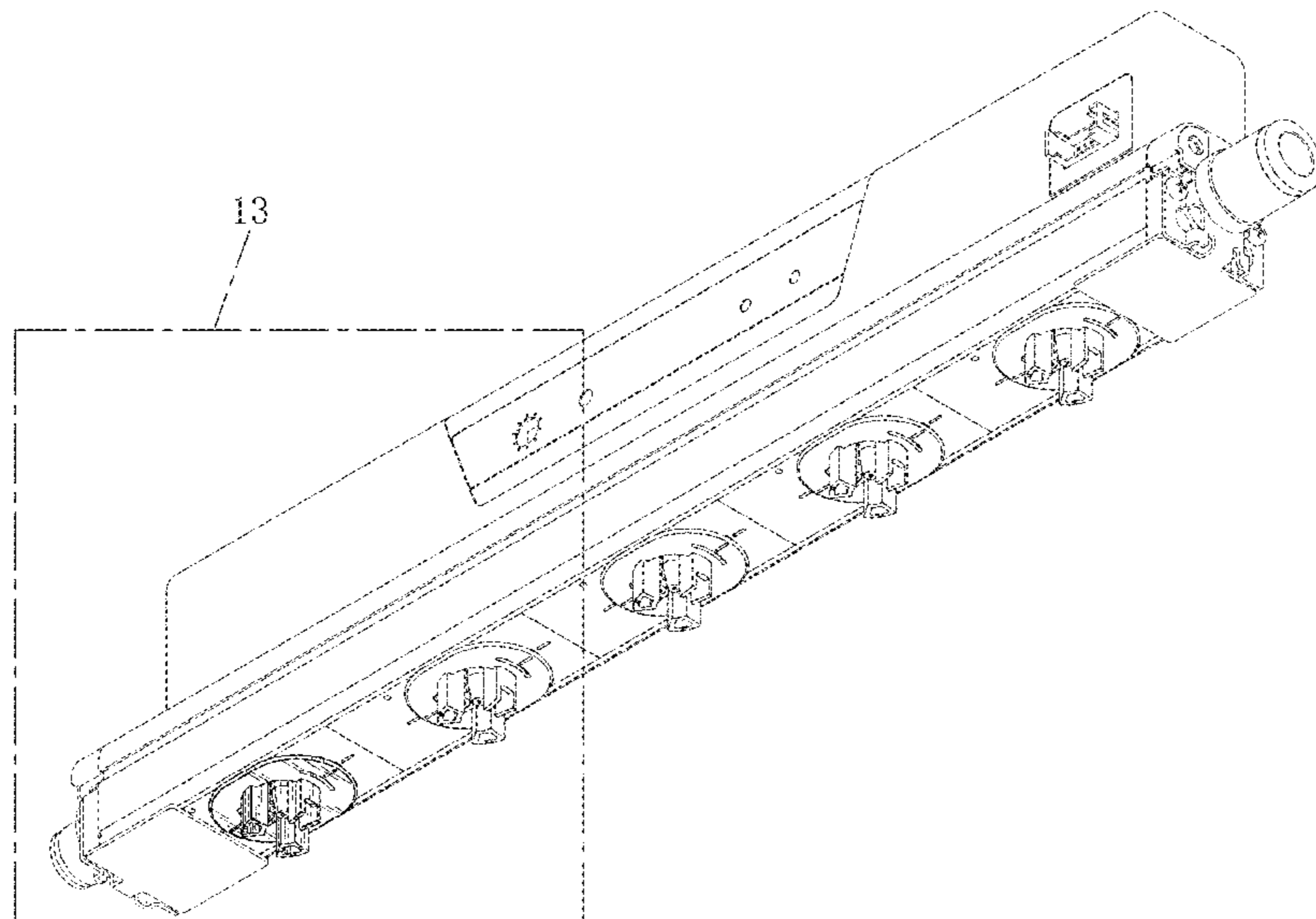
FIG. 12 is an enlarged left side elevational view thereof;

FIG. 13 is an enlarged front, bottom, and right side perspective view of area 13 circumscribed within FIG. 2; and,

FIG. 14 is an enlarged front, bottom, and left side perspective view of area 14 circumscribed within FIG. 3.

The broken lines and areas within them adjacent to solid lines and shaded elements depict portions of the ionizer that form no part of the claimed design. The dot dash dot broken lines in the drawings denote the boundaries of the detail areas and form no part of the claimed design.

1 Claim, 13 Drawing Sheets



(56)

References Cited

U.S. PATENT DOCUMENTS

D639,898 S * 6/2011 Yasuoka H01T 23/00
D23/207
D643,091 S * 8/2011 Yasuoka D23/213
9,649,858 B2 * 5/2017 Suzuki B41J 2/175
D848,572 S * 5/2019 Yasuoka H05F 3/04
D23/207
2016/0044770 A1 * 2/2016 Fukada H05F 3/06
250/423 F
2021/0197208 A1 * 7/2021 Sunshine H01T 23/00

* cited by examiner

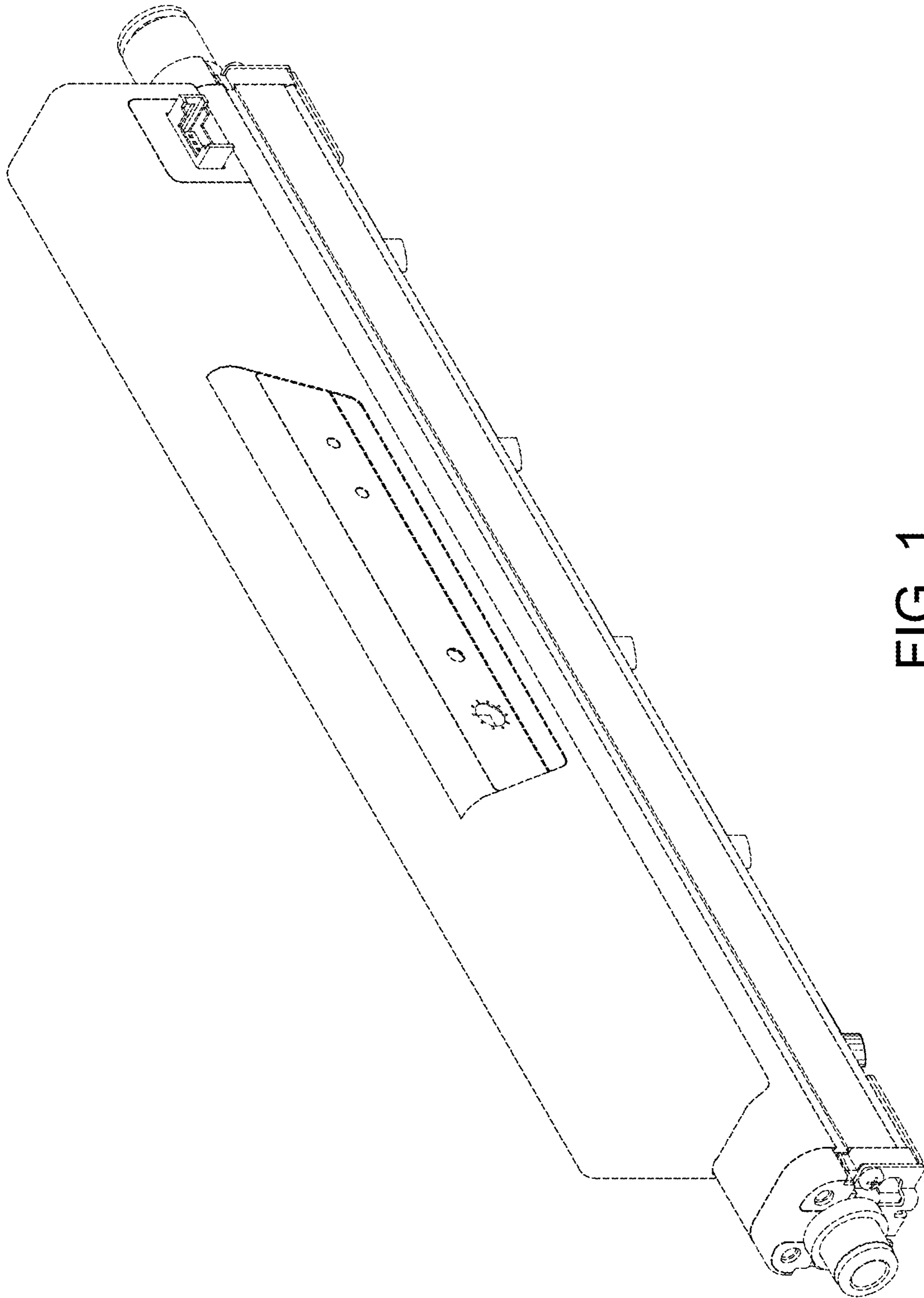


FIG. 1

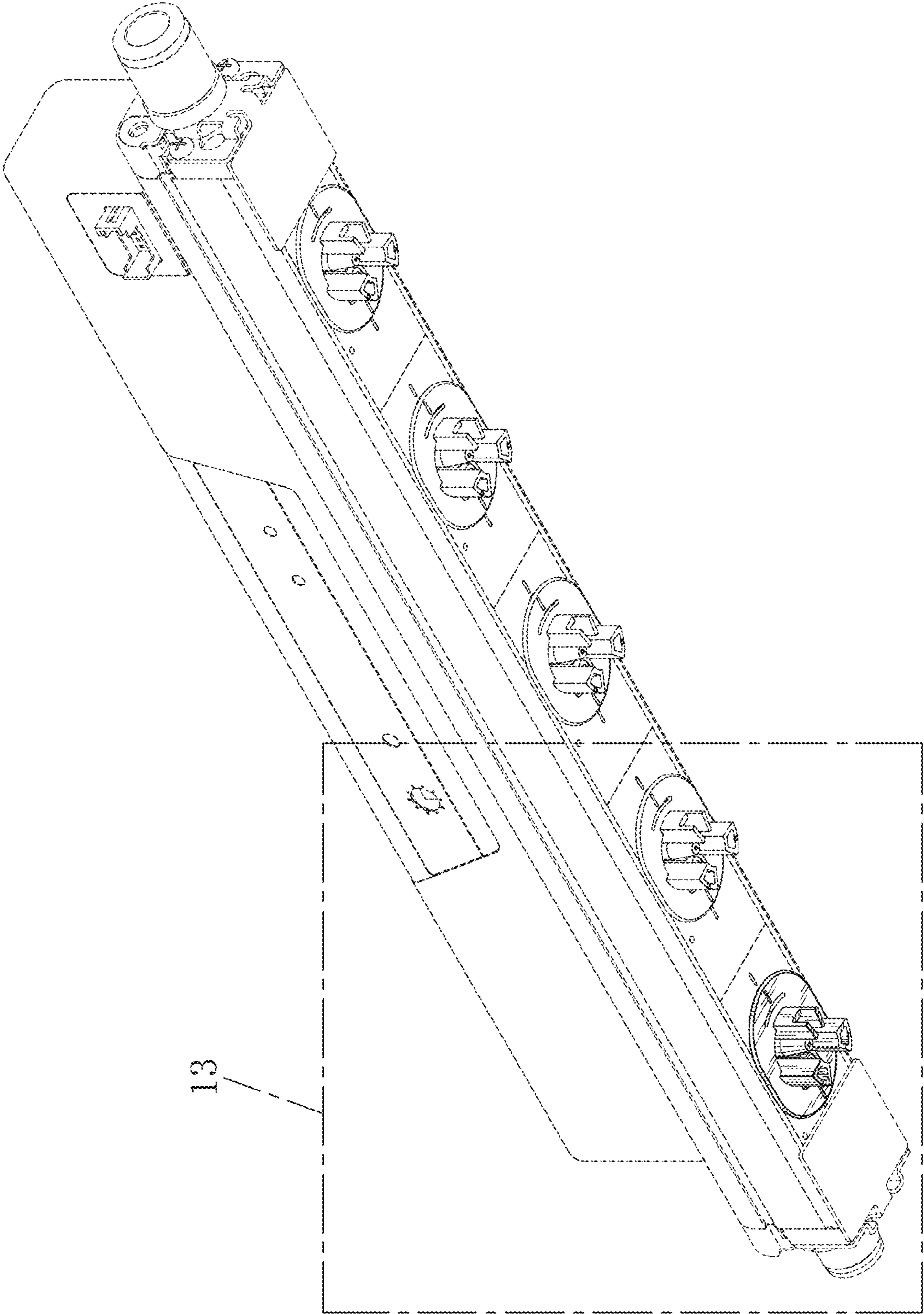


FIG. 2

FIG. 3

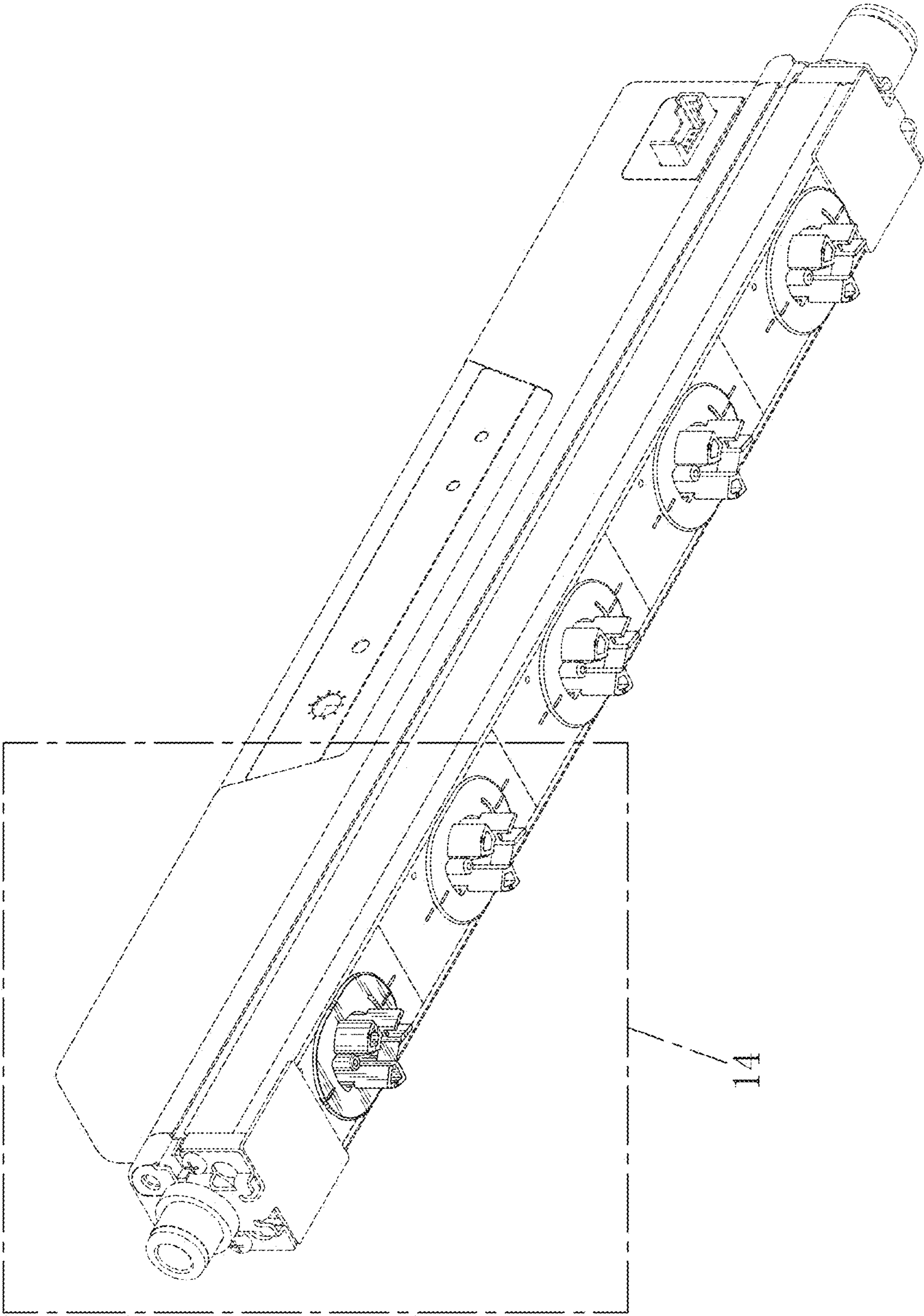
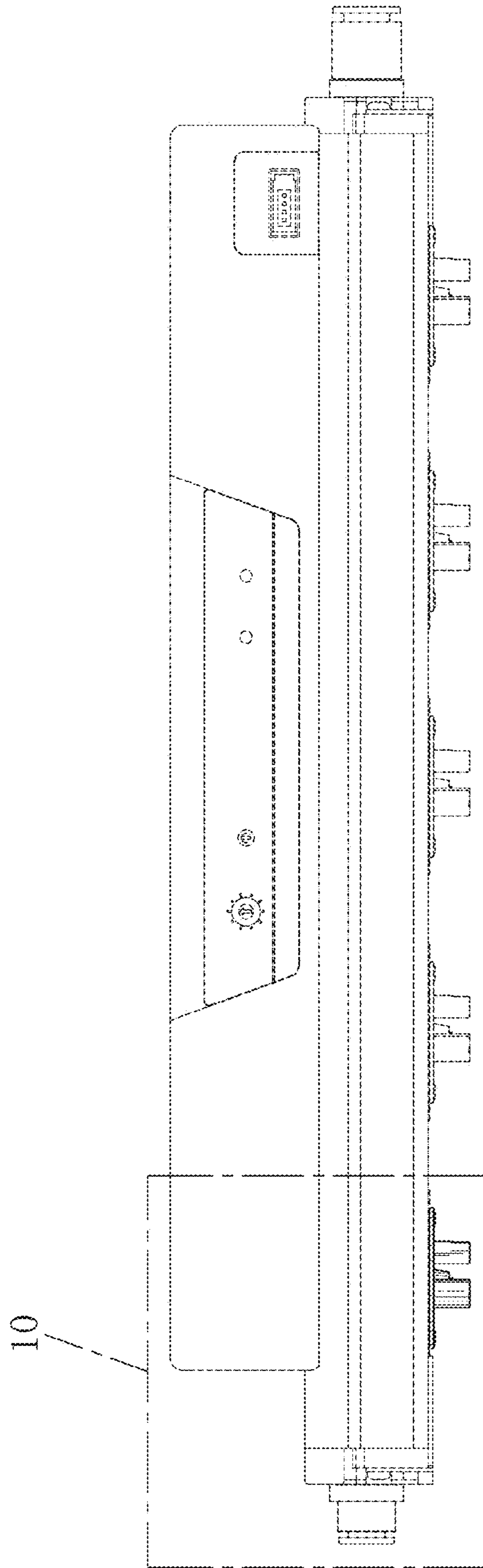


FIG. 4



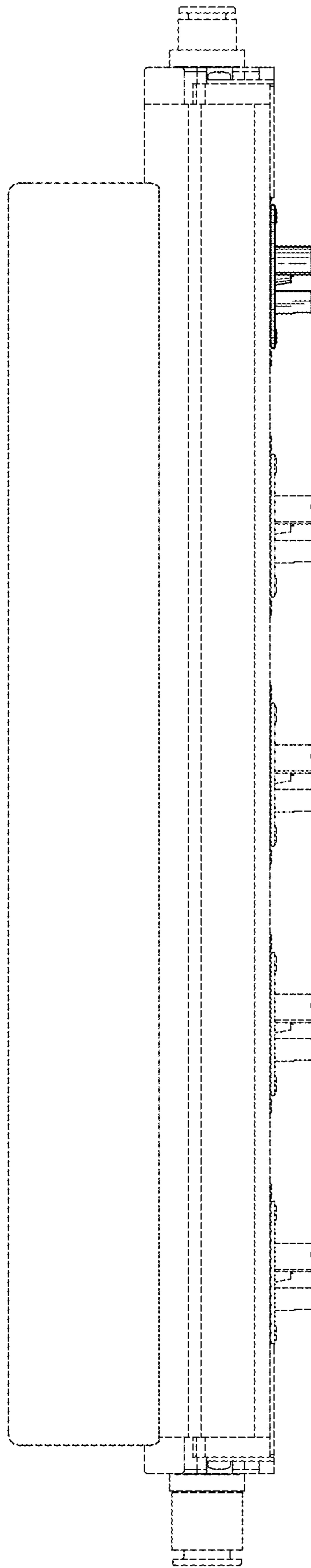


FIG. 5

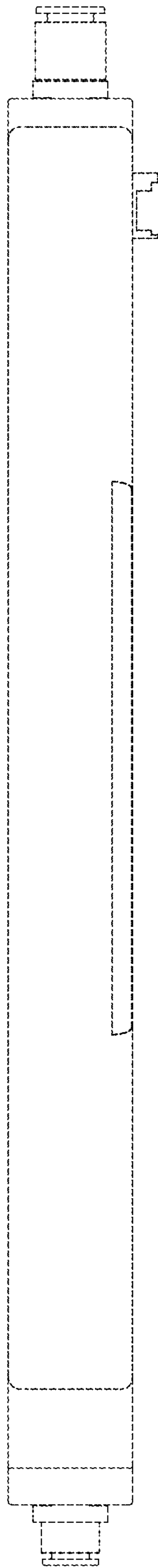
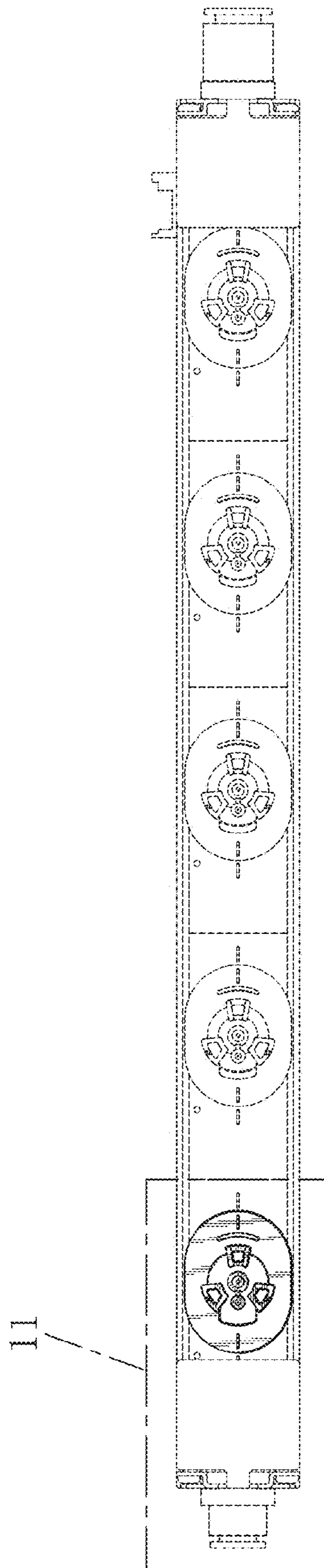


FIG. 6

FIG. 7



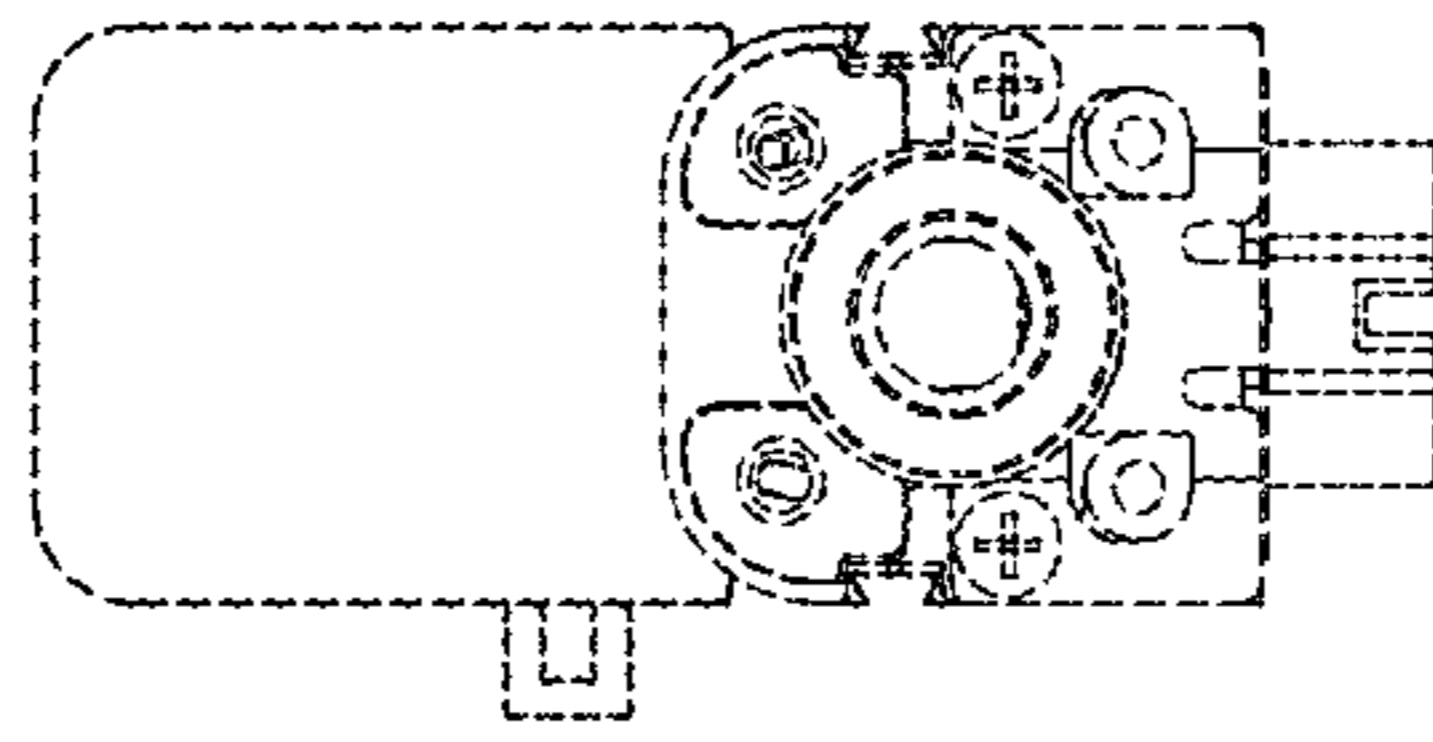


FIG. 9

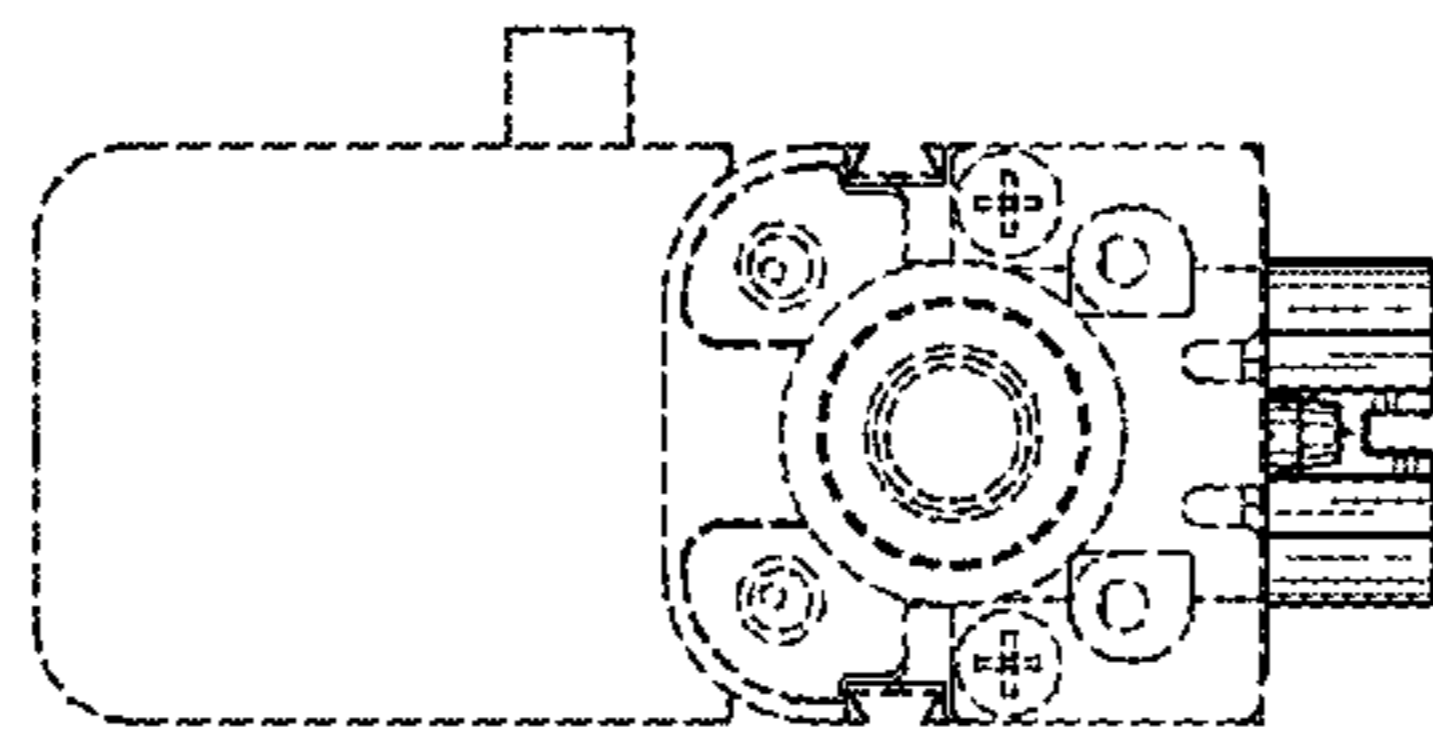


FIG. 8

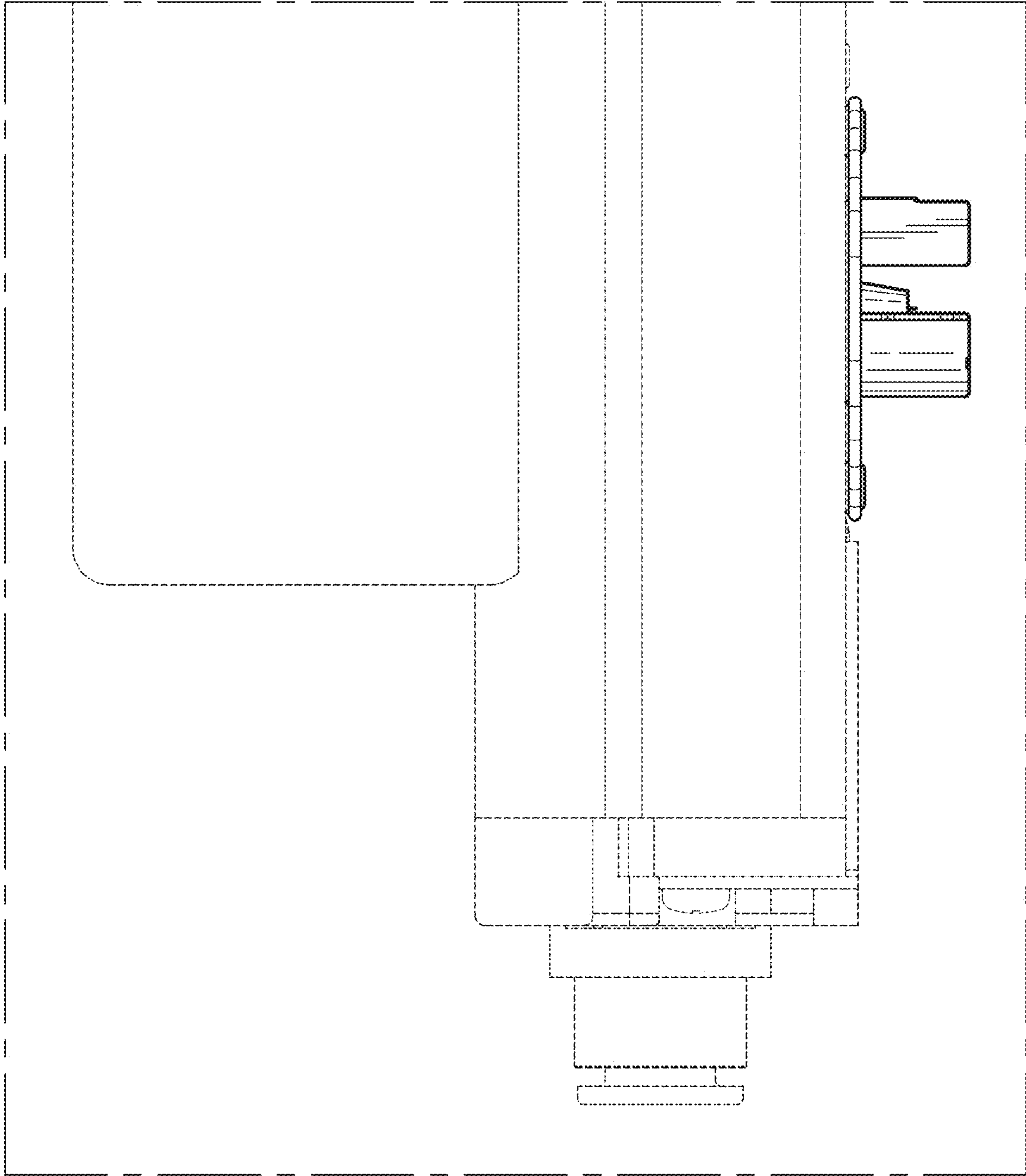


FIG. 10

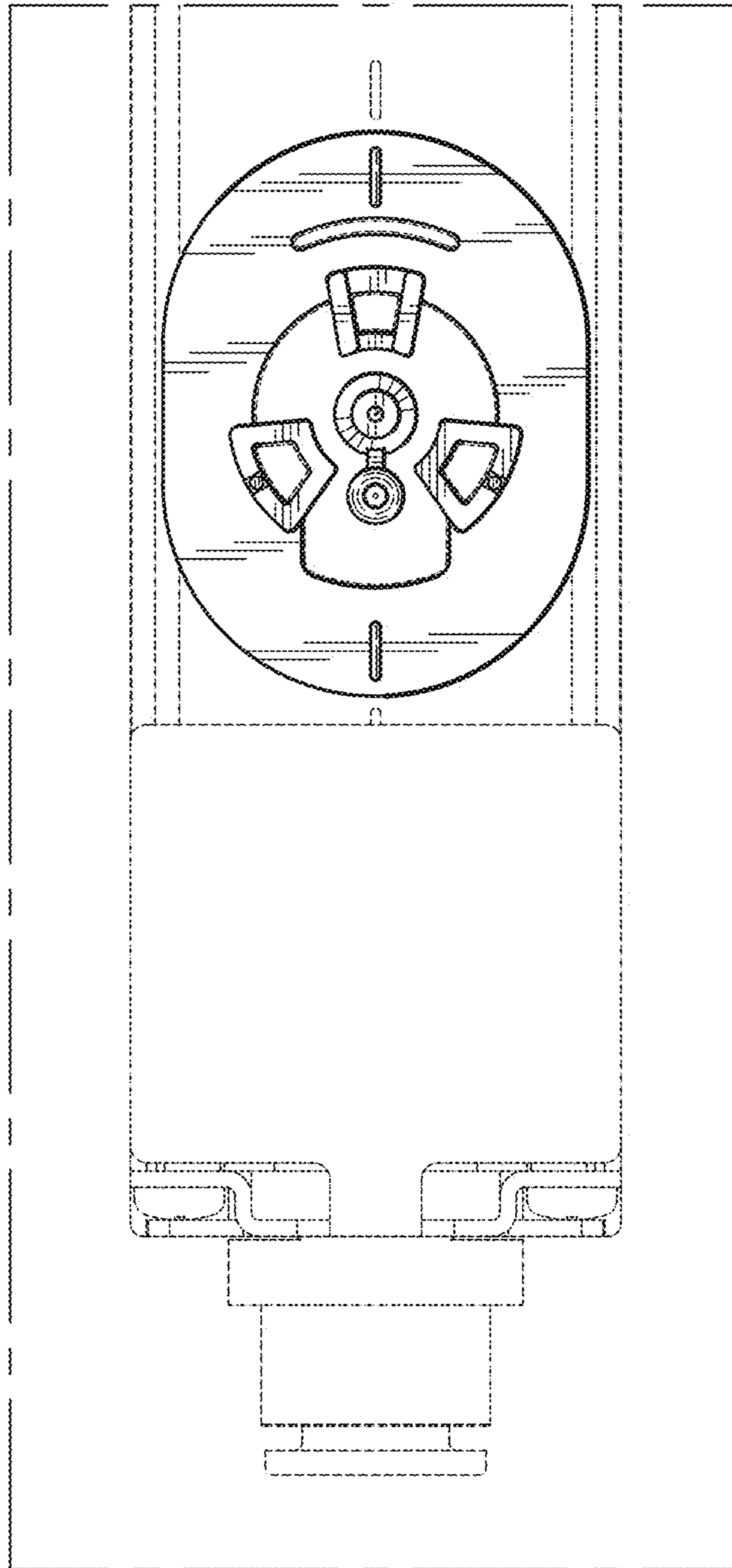


FIG. 11

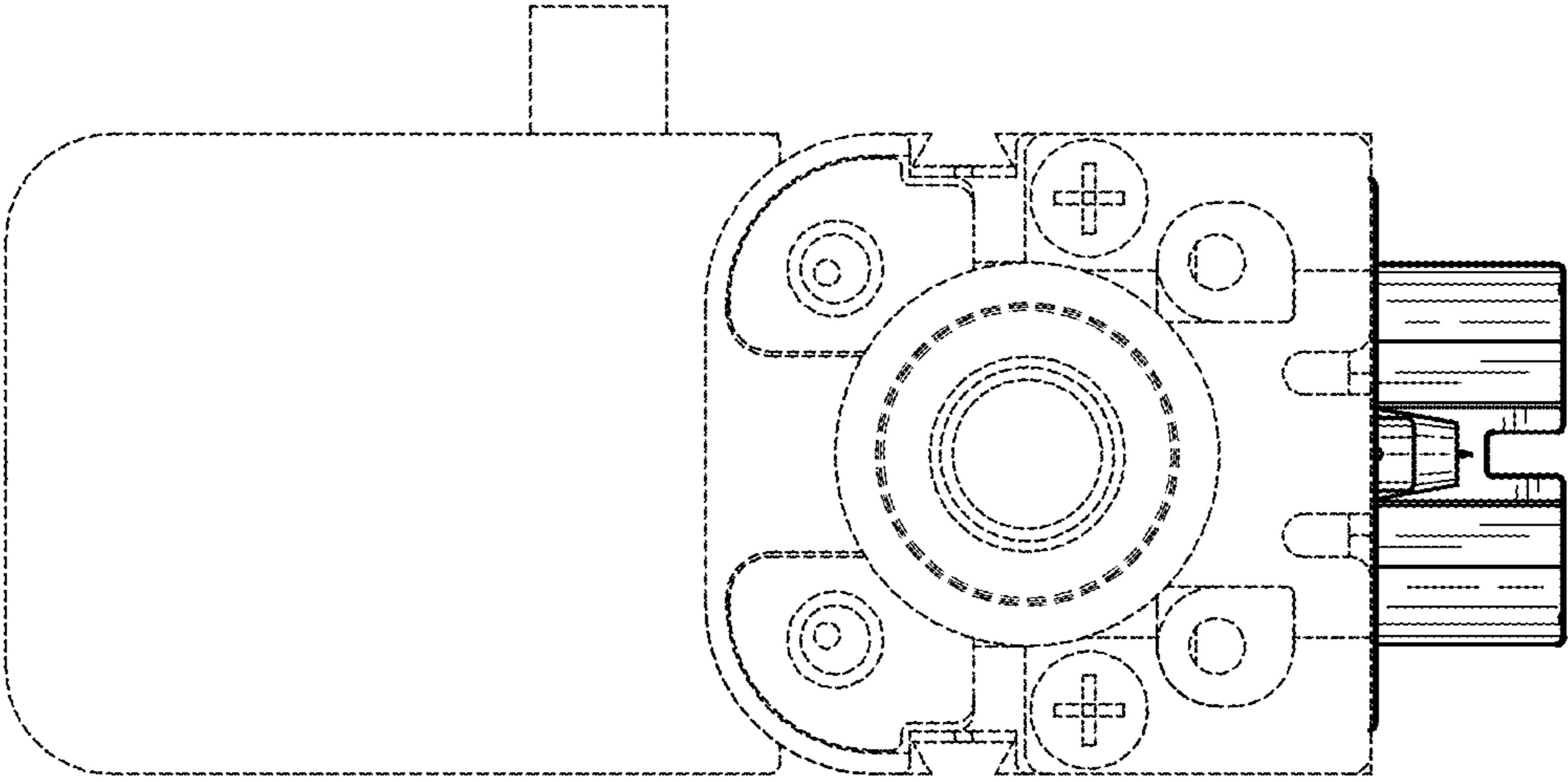


FIG. 12

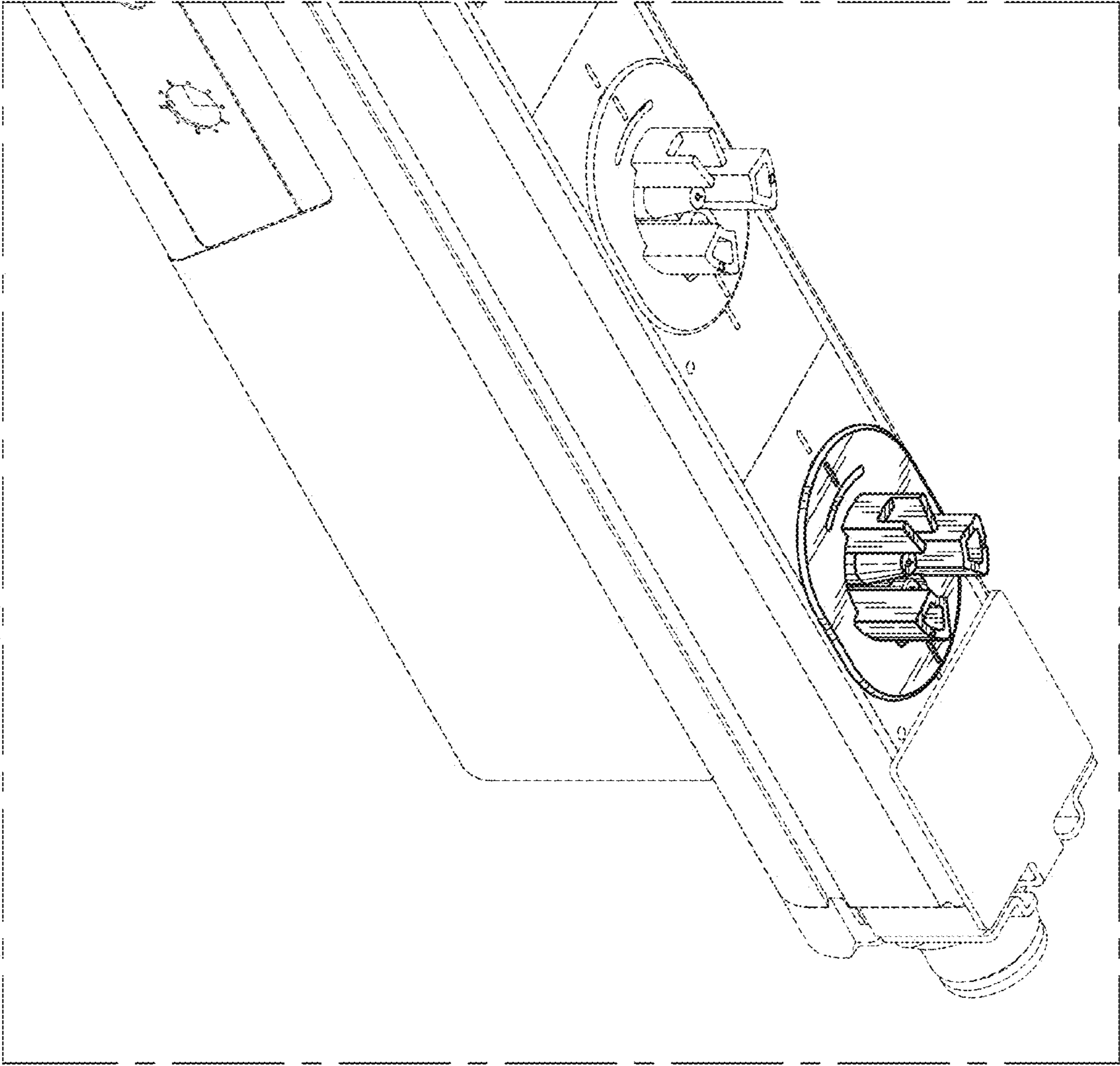


FIG. 13

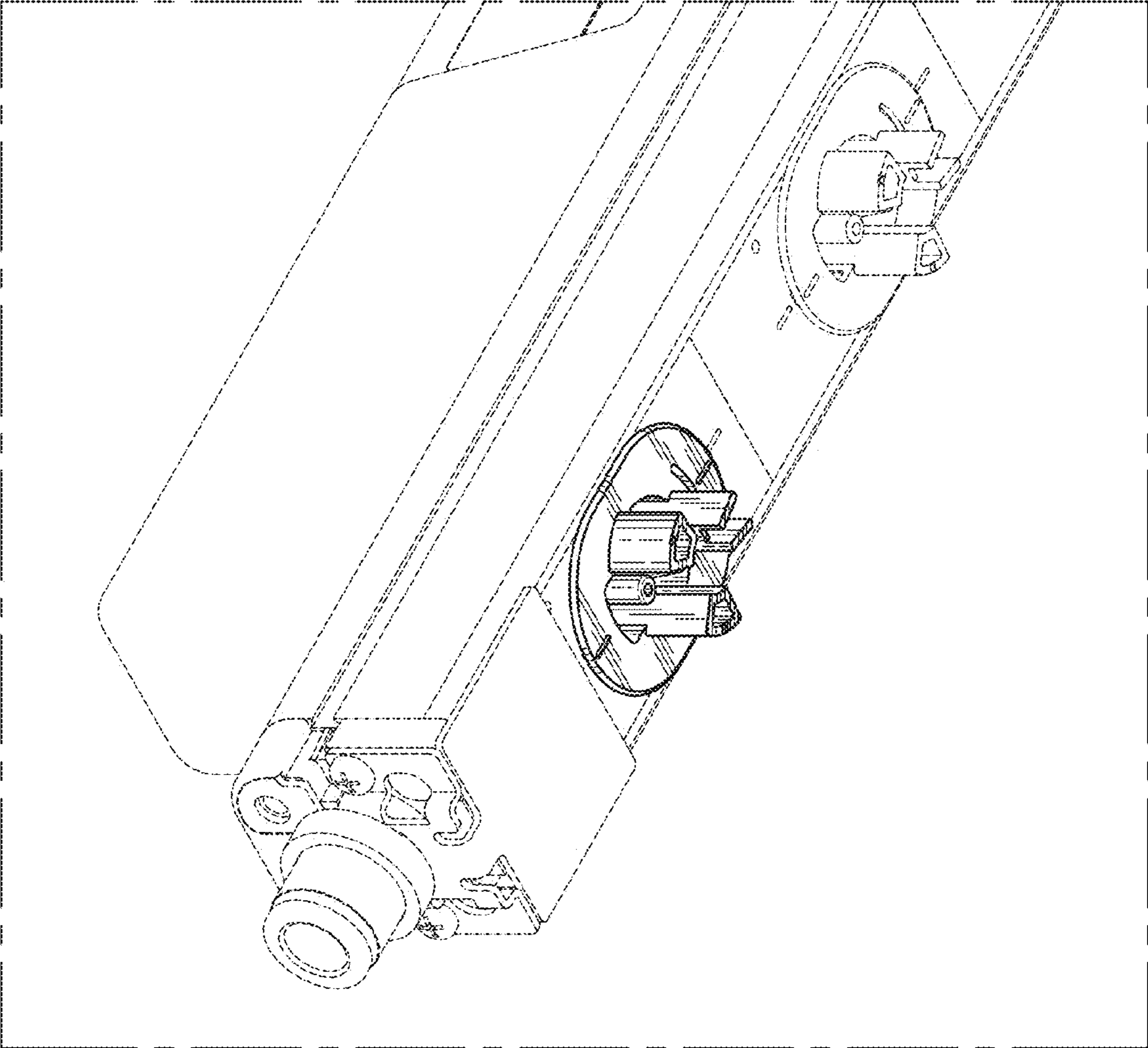


FIG. 14