



US00D955537S

(12) **United States Design Patent**
Harrell et al.

(10) **Patent No.:** **US D955,537 S**
(45) **Date of Patent:** **** Jun. 21, 2022**

(54) **DOME SHAPED FLOW THROUGH CAP**

2,241,229 A * 5/1941 Williams A47J 43/22
210/471

(71) Applicant: **Dobber Industries, LLC—Patent Series**, Conroe, TX (US)

2,271,733 A * 2/1942 Clark F23L 17/005
454/271

(72) Inventors: **Jerrold Harrell**, Conroe, TX (US);
Tylor Nunn, Conroe, TX (US)

D245,565 S * 8/1977 Steiner D7/667
4,075,105 A * 2/1978 Steiner B01D 35/28
210/477

(73) Assignee: **Modern AC Products LLC**, Conroe, TX (US)

5,427,417 A * 6/1995 Lechuga E03C 1/12
210/153

(**) Term: **15 Years**

D378,724 S * 4/1997 Young D7/360
5,891,207 A * 4/1999 Katta B01D 46/103
55/385.3

(21) Appl. No.: **29/708,049**

D439,962 S * 4/2001 Gieseke D23/365

(22) Filed: **Oct. 2, 2019**

D444,039 S * 6/2001 Tong D7/667

(51) **LOC (13) Cl.** **23-03**

(Continued)

(52) **U.S. Cl.**

USPC **D23/322**; D23/341

Primary Examiner — Ania Aman

(58) **Field of Classification Search**

USPC D23/393, 259–269, 233, 245, 322, 341;
D8/349, 382, 387, 388, 391, 393, 397,
D8/399; D7/667, 668, 400
CPC F16L 55/24; F16L 57/005; F16L 15/006;
F24F 13/222; F24F 2013/227; B01D
39/12

(74) *Attorney, Agent, or Firm* — Phillip Black; Dossey & Jones PLLC

See application file for complete search history.

(57)

CLAIM

We claim the ornamental design for a dome shaped flow through cap, as shown and described.

DESCRIPTION

(56)

References Cited

U.S. PATENT DOCUMENTS

36,982 A * 11/1862 Sherwood B01D 35/28
210/474
D29,058 S * 7/1898 Eustis D7/667
1,067,290 A * 7/1913 Washburn et al. A47J 31/02
99/323
1,147,001 A * 7/1915 Burnet B01D 35/153
210/248
1,191,994 A * 7/1916 Pierson B01D 35/28
210/470
1,310,773 A * 7/1919 Wills A47J 43/22
210/471

FIG. 1 is a side perspective view showing the dome shaped flow through cap;

FIG. 2 is a first side view thereof;

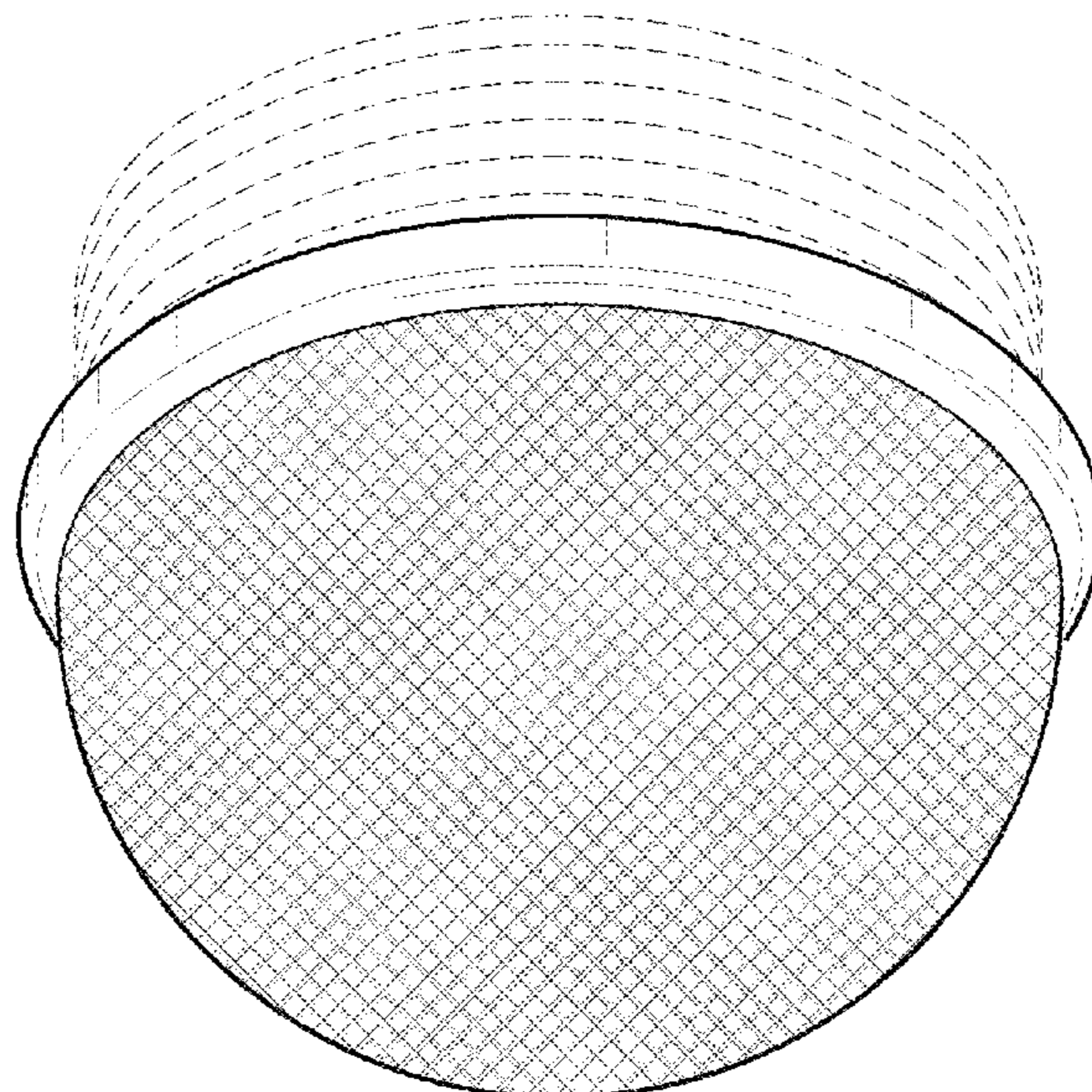
FIG. 3 is a second side view thereof;

FIG. 4 is a top view thereof; and,

FIG. 5 is a bottom view thereof.

The surface shading is for purposes of illustrating the contour and appearance of the claimed surfaces upon which it is illustrated. The broken lines are used to show unclaimed portions of the invention and form no part of the claimed design.

1 Claim, 2 Drawing Sheets



(56)

References Cited

U.S. PATENT DOCUMENTS

7,442,296 B2 * 10/2008 Chong E03C 1/264
210/163
D715,409 S * 10/2014 Raimondi D23/259
10,480,784 B2 * 11/2019 Kowald B01D 46/0005
2009/0008478 A1 * 1/2009 Grether F16L 55/24
239/428.5
2009/0066081 A1 * 3/2009 Katsura F16L 41/10
285/331
2012/0061312 A1 * 3/2012 Busick C02F 1/003
210/471
2015/0362209 A1 * 12/2015 Dolan F24F 13/082
454/276
2017/0101768 A1 * 4/2017 Bosio F16L 15/006
2018/0080589 A1 * 3/2018 Heon B60H 3/0608
2019/0049110 A1 * 2/2019 Kowald F23D 14/68
2019/0331070 A1 * 10/2019 Kendall B01D 39/12

* cited by examiner

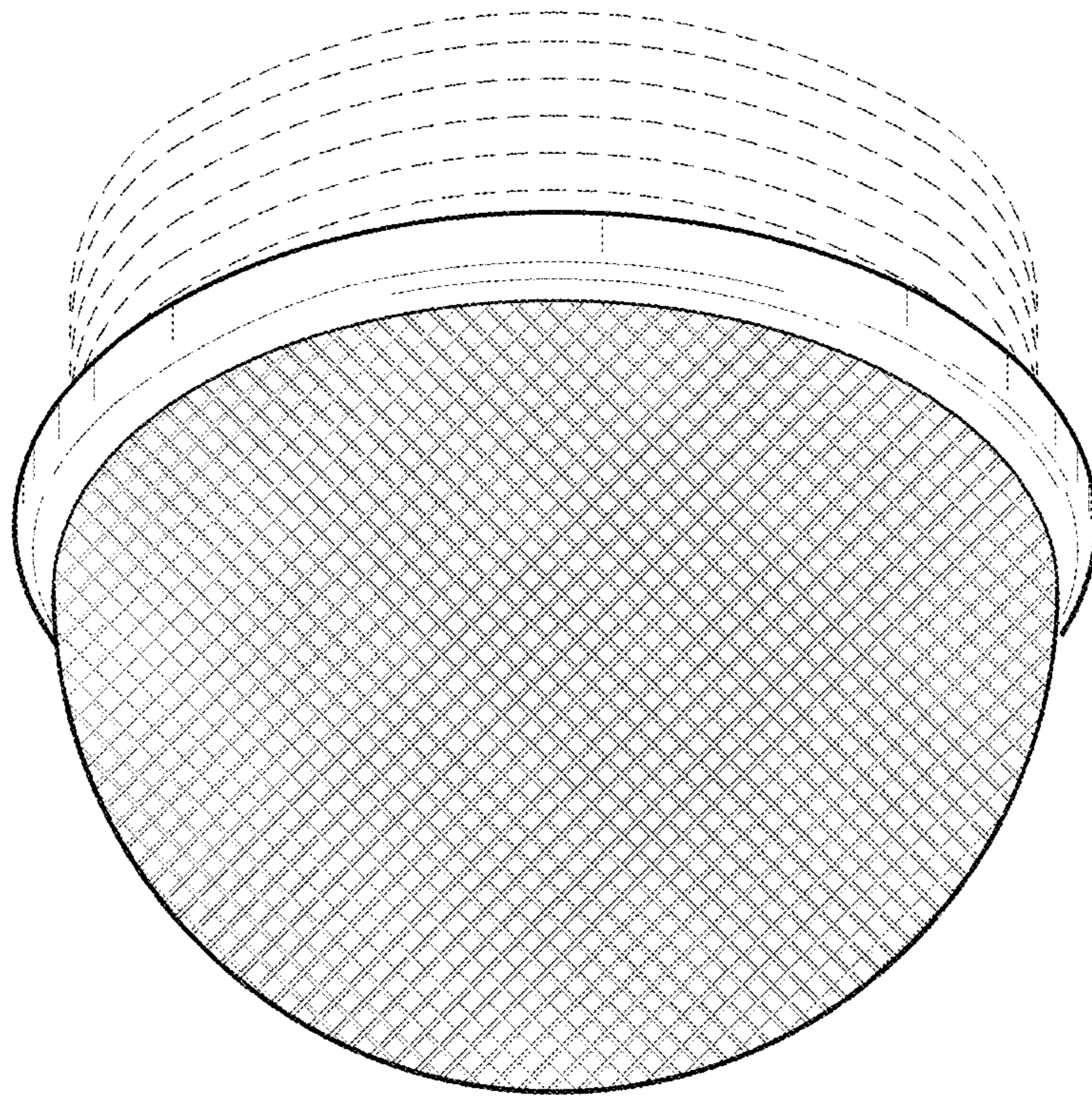


FIG. 1

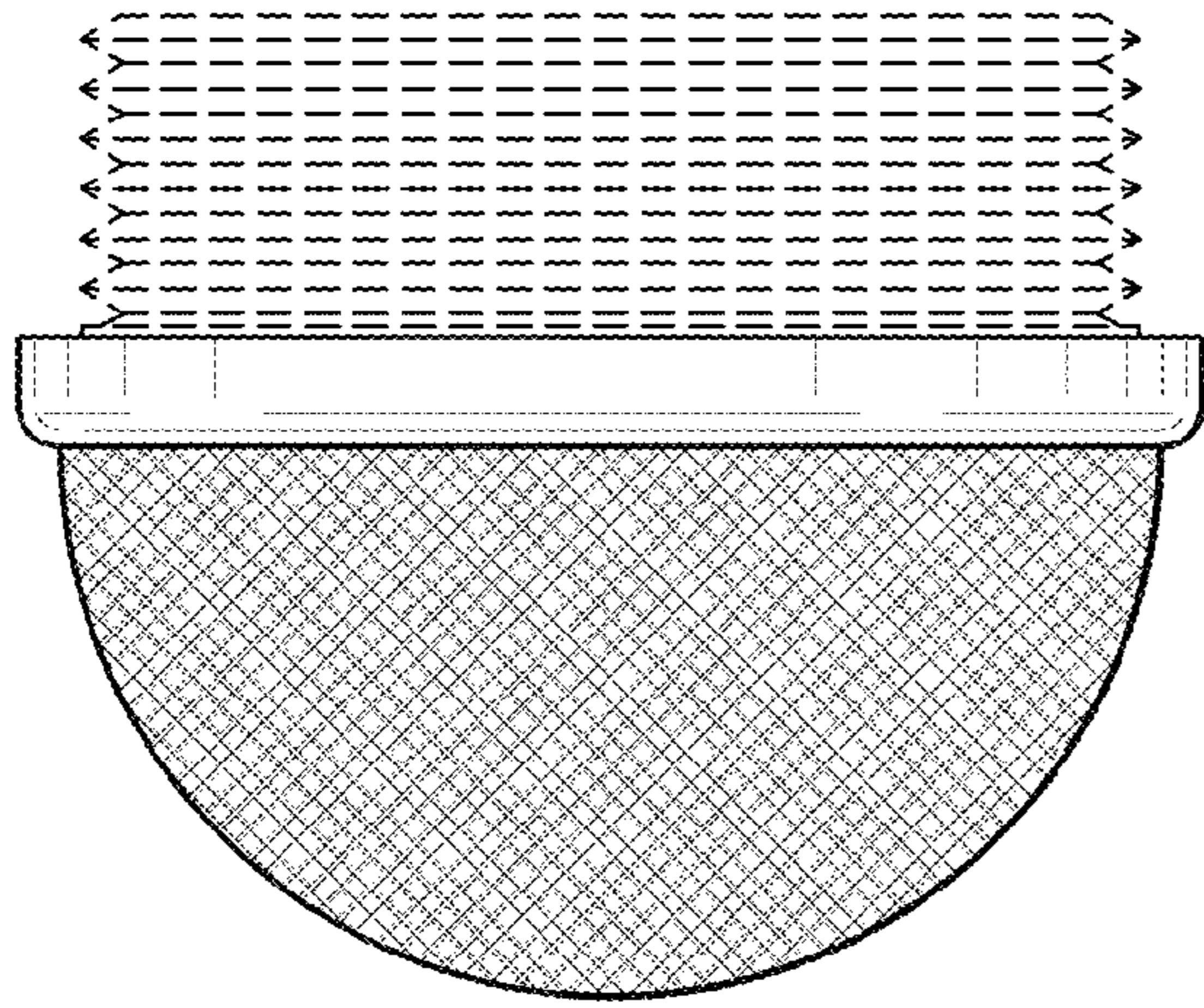


FIG. 2

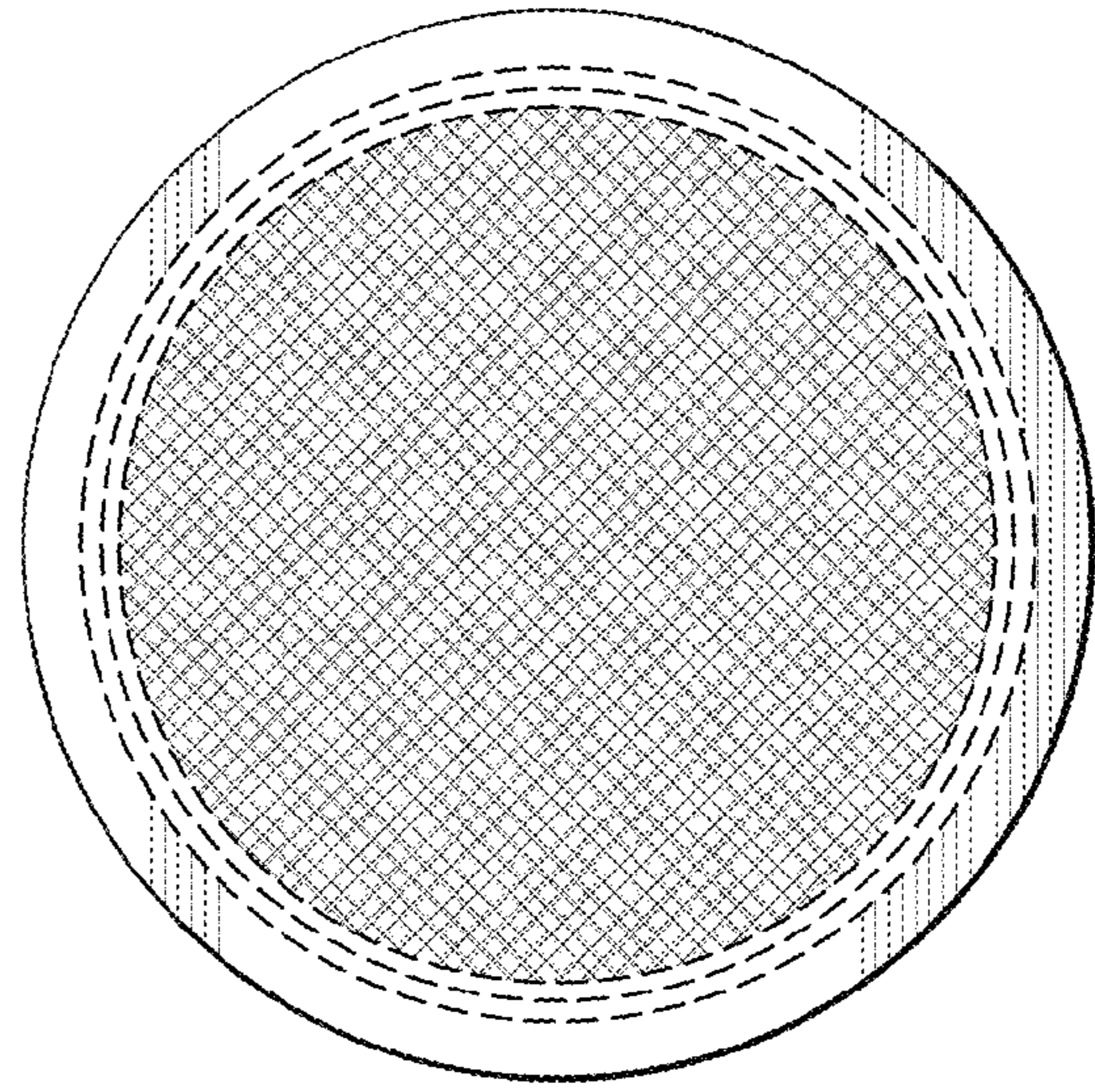


FIG. 4

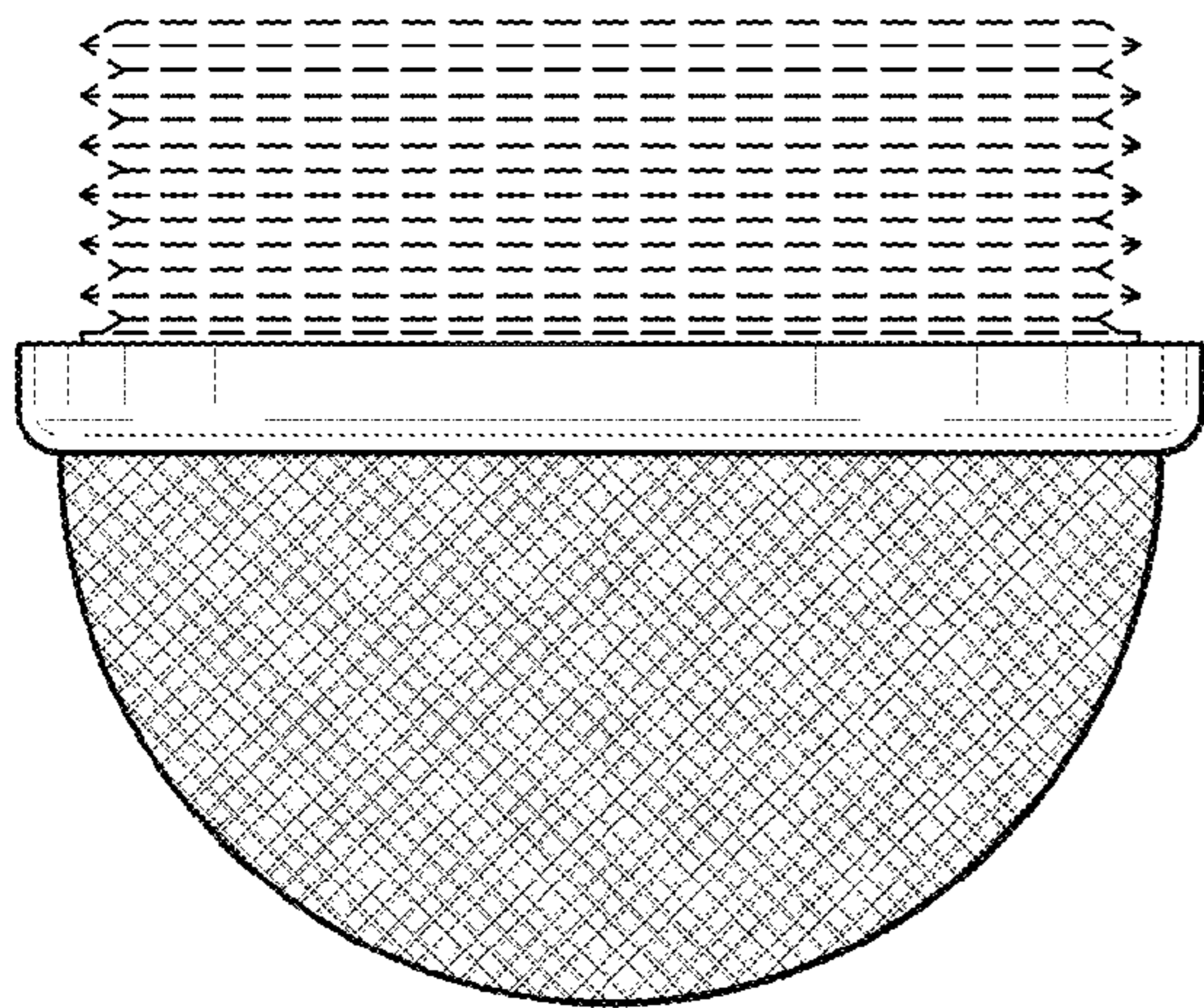


FIG. 3

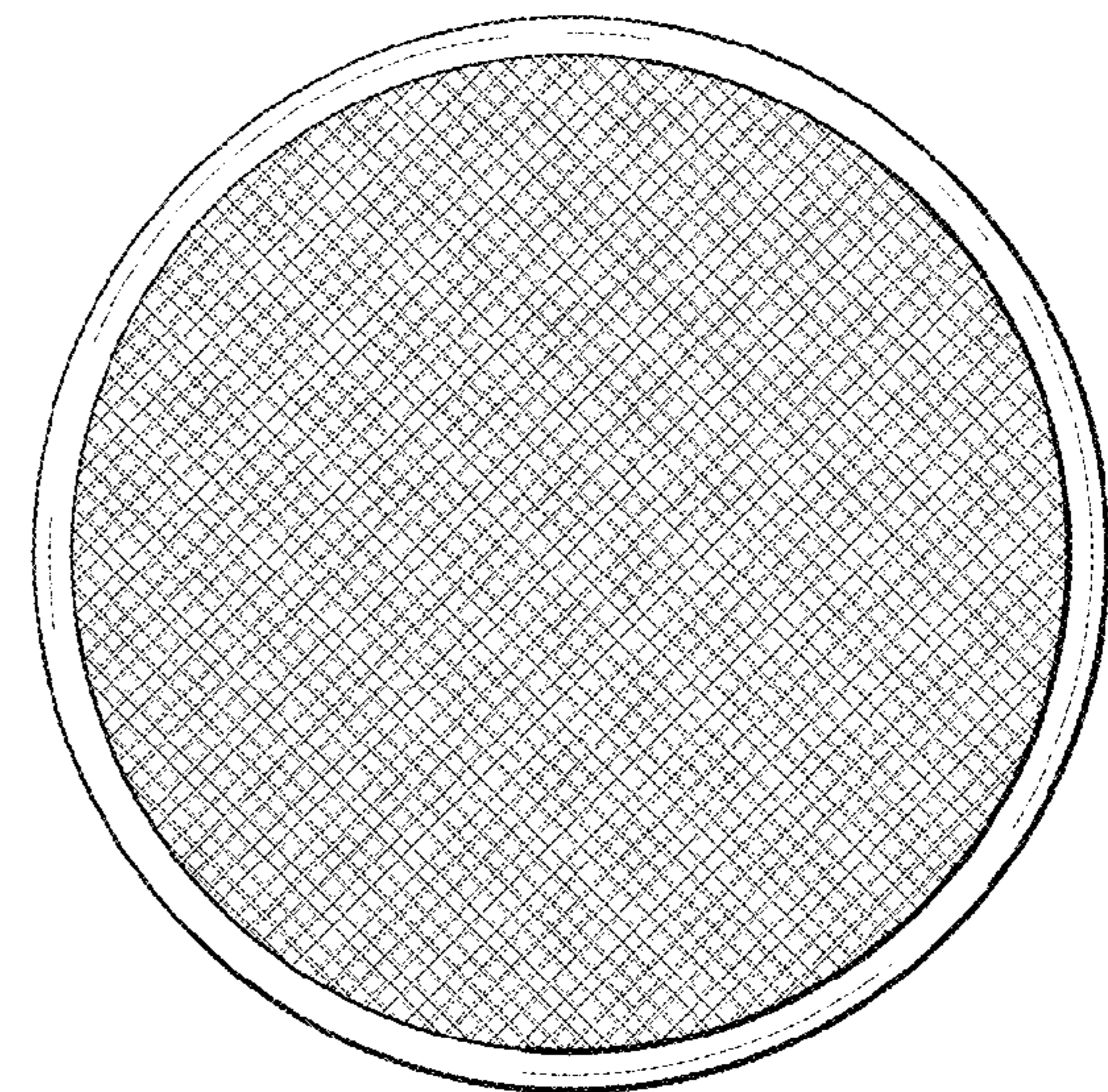


FIG. 5