



US00D955535S

(12) **United States Design Patent** (10) **Patent No.:** **US D955,535 S**  
**Cook** (45) **Date of Patent:** **\*\* Jun. 21, 2022**

(54) **SHOWER PAN**

(71) Applicant: **Tile Redi, LLC**, Coral Springs, FL (US)

(72) Inventor: **Joseph R. Cook**, Parkland, FL (US)

(73) Assignee: **Tile Redi, LLC**, Charlotte, NC (US)

(\*\*) Term: **15 Years**

(21) Appl. No.: **29/695,796**

(22) Filed: **Jun. 21, 2019**

(51) **LOC (13) Cl.** ..... **23-02**

(52) **U.S. Cl.**  
USPC ..... **D23/304**

(58) **Field of Classification Search**  
USPC ..... D23/283, 303-304, 261  
See application file for complete search history.

(56) **References Cited**

U.S. PATENT DOCUMENTS

5,004,534 A \* 4/1991 Buzzelli ..... B01D 21/0048  
210/164  
D544,585 S \* 6/2007 Lebrun ..... D23/283  
D596,722 S \* 7/2009 Hisey ..... D23/304

(Continued)

OTHER PUBLICATIONS

Jun. 24 Inch Rectangular Grate Linear Drain For Shower: <https://www.junoshowers.com/juno-24-inch-linear-drain-for-shower-with-shower-drain-base-grate-cover.html> (Year: 2021).\*

*Primary Examiner* — Robert A Delehanty  
(74) *Attorney, Agent, or Firm* — Moore & Van Allen PLLC

(57) **CLAIM**

The ornamental design for a shower pan, as shown and described.

**DESCRIPTION**

FIG. 1 is a top plan view showing a first embodiment of the new design. The bottom of the article is flat and devoid of surface ornamentation, and is therefore not shown.

FIG. 2 is a top left perspective view thereof.

FIG. 3 is an enlarged fragmentary view of a portion of the design. The double object lines surrounding the drain gate and defining the opening in the floor shown in the enlargement of FIG. 3 do not appear in FIGS. 1 and 2.

The front, back, left and right side elevational views of the article are flat and devoid of surface ornamentation, and are therefore not shown.

FIG. 4 is a top plan view showing a fifth embodiment of the new design. The bottom of the article is flat and devoid of surface ornamentation, and is therefore not shown.

FIG. 5 is a top left perspective view thereof.

FIG. 6 is an enlarged fragmentary view of a portion of the design. The double object lines surrounding the drain gate and defining the opening in the floor shown in the enlargement of FIG. 6 do not appear in FIGS. 4 and 5.

The front, back, left and right side elevational views of the article are flat and devoid of surface ornamentation, and are therefore not shown.

FIG. 7 is a top plan view showing a sixth embodiment of the new design. The bottom of the article is flat and devoid of surface ornamentation, and is therefore not shown.

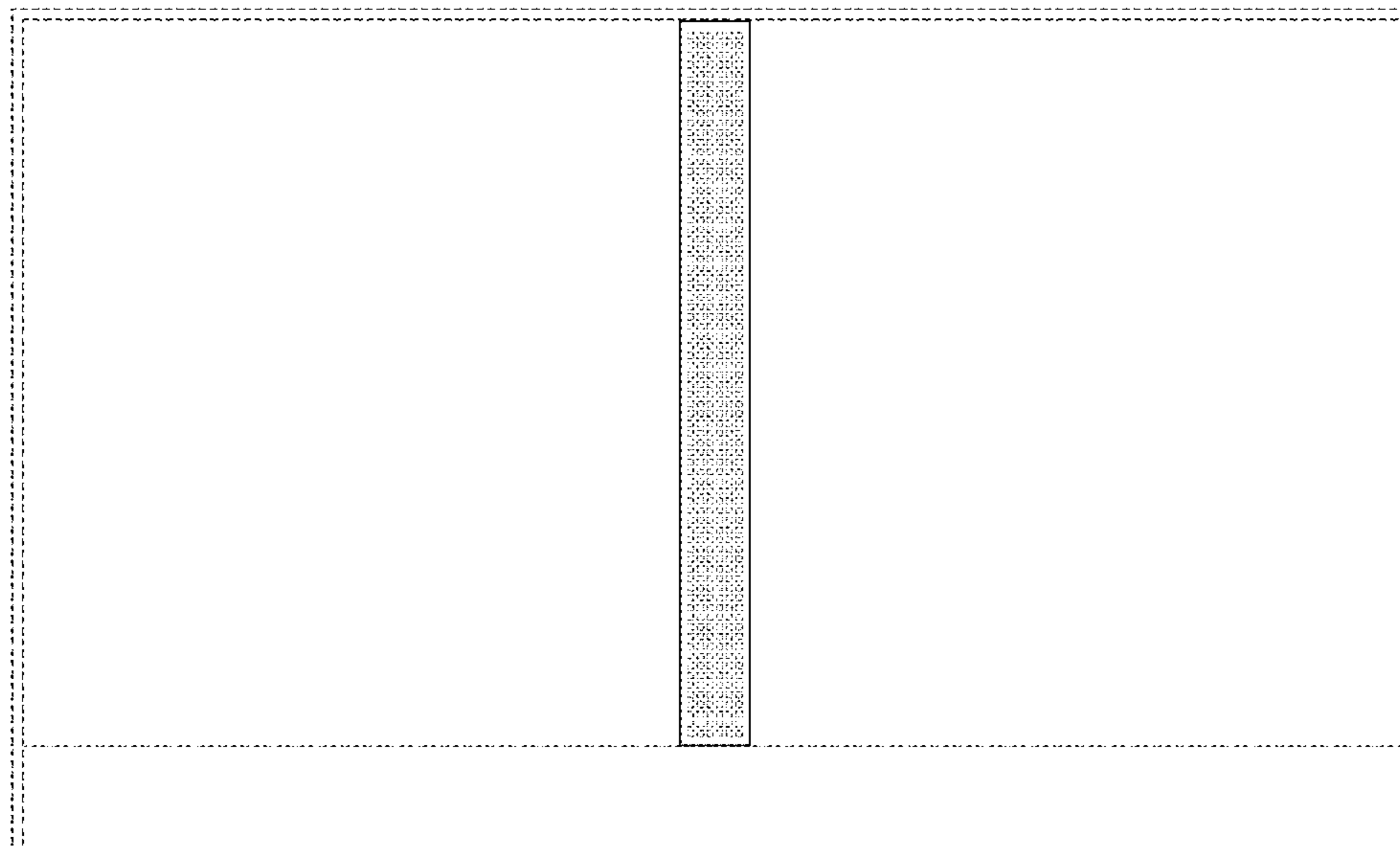
FIG. 8 is a top left perspective view thereof; and,

FIG. 9 is an enlarged fragmentary view of a portion of the design.

The front, back, left and right side elevational views of the article are flat and devoid of surface ornamentation, and are therefore not shown.

The broken lines shown in the drawings represent unclaimed portions of the shower pan and forms no part of the claimed design.

**1 Claim, 6 Drawing Sheets**





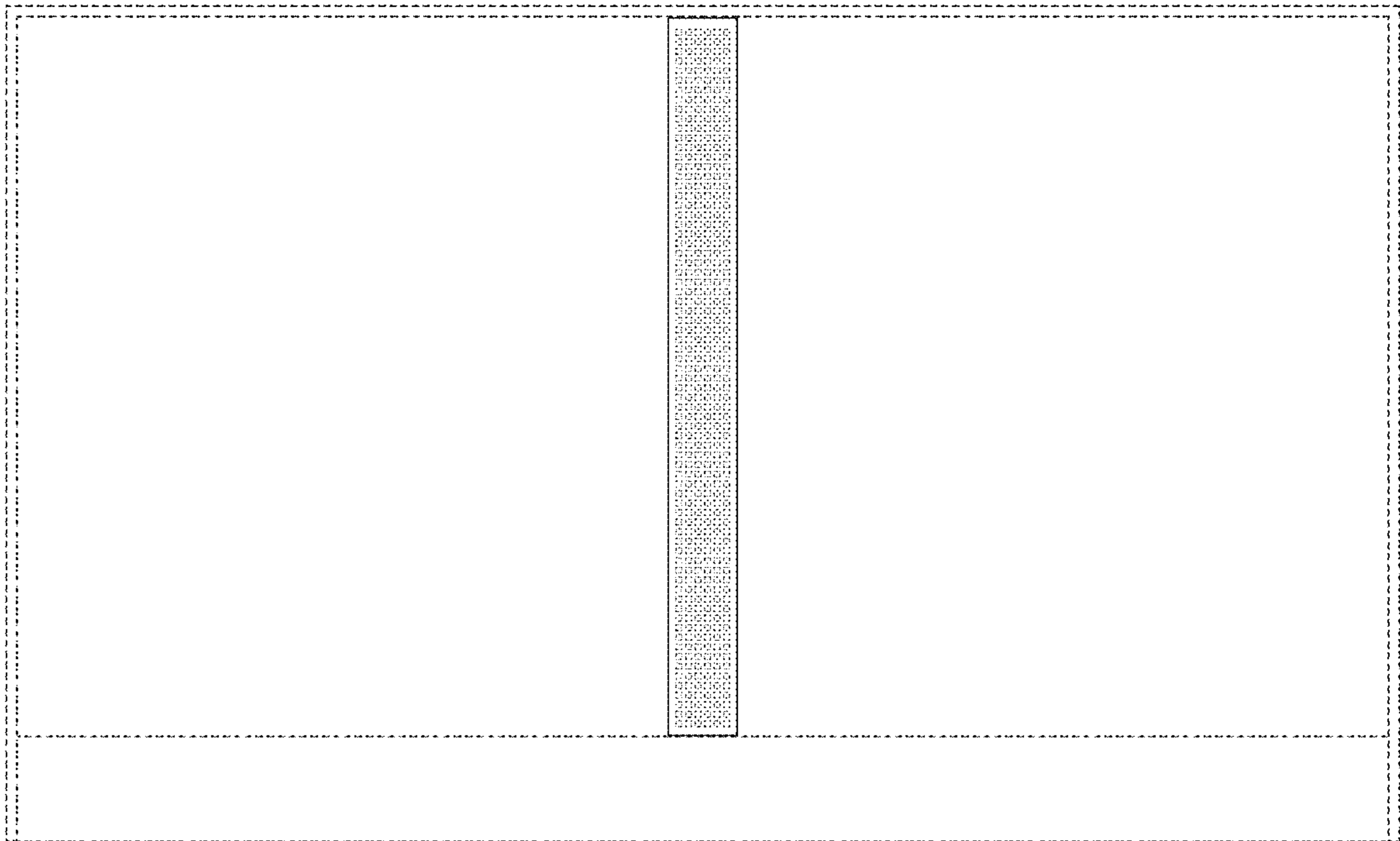


Fig. 1

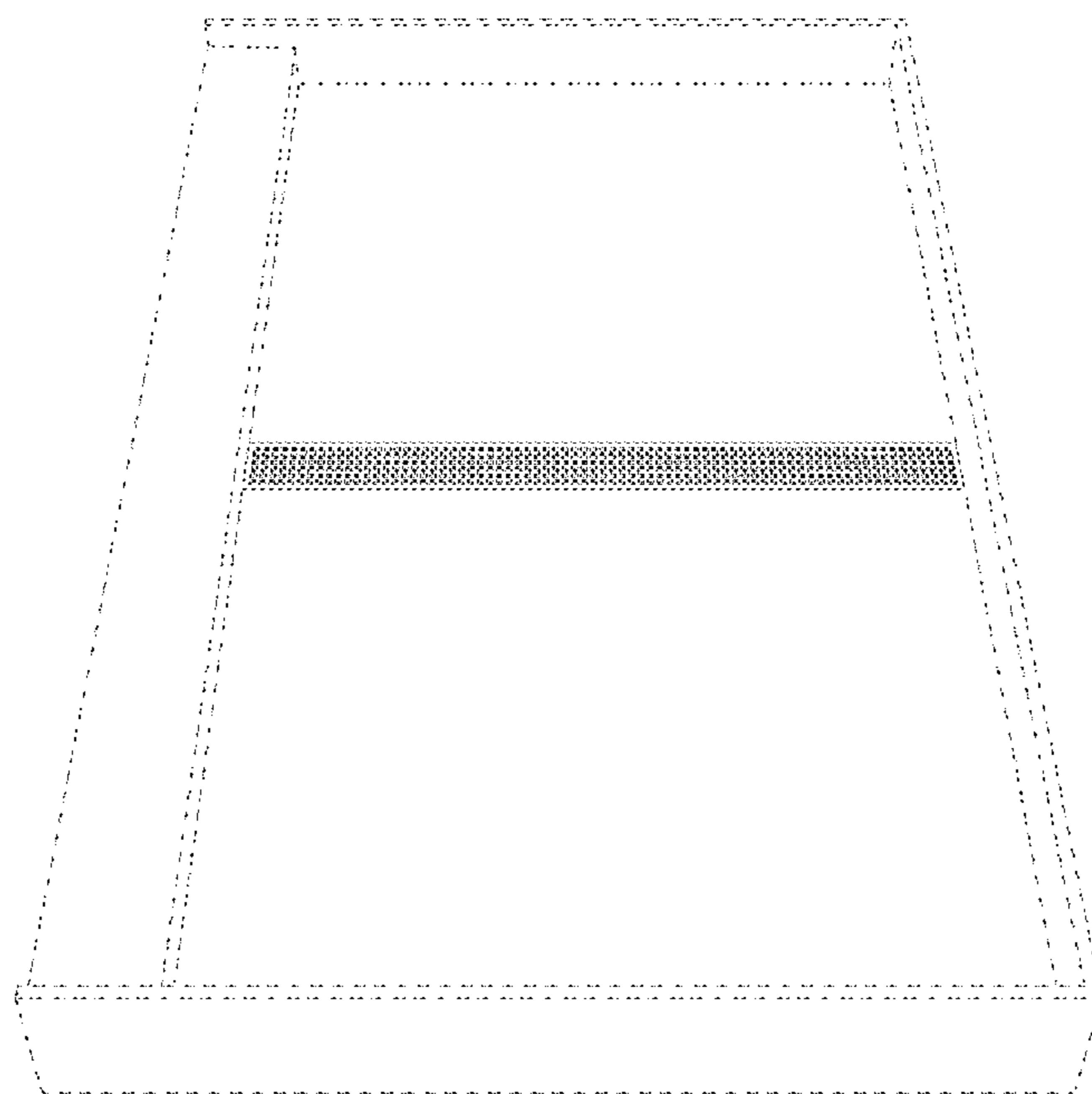


Fig. 2

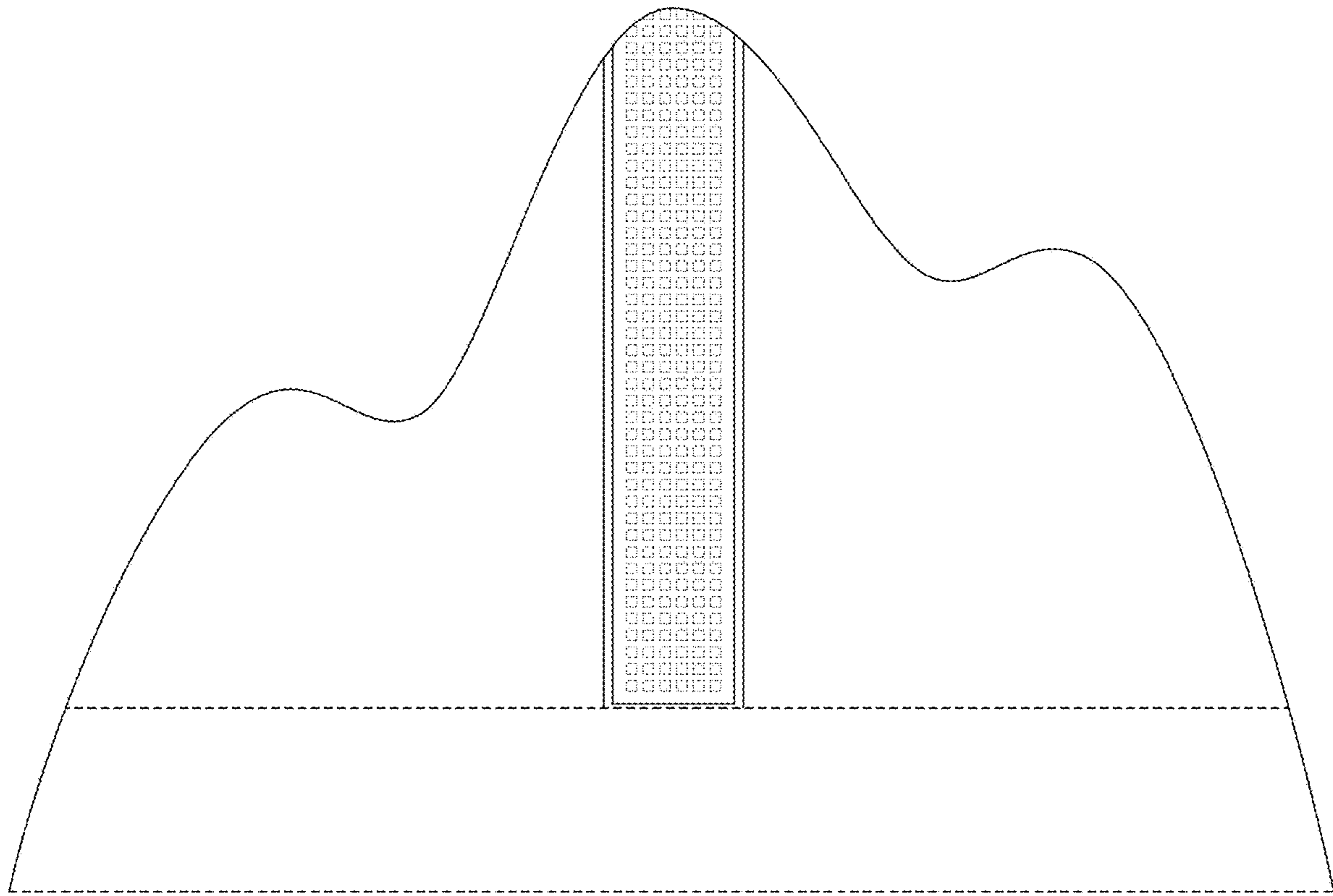


Fig. 3

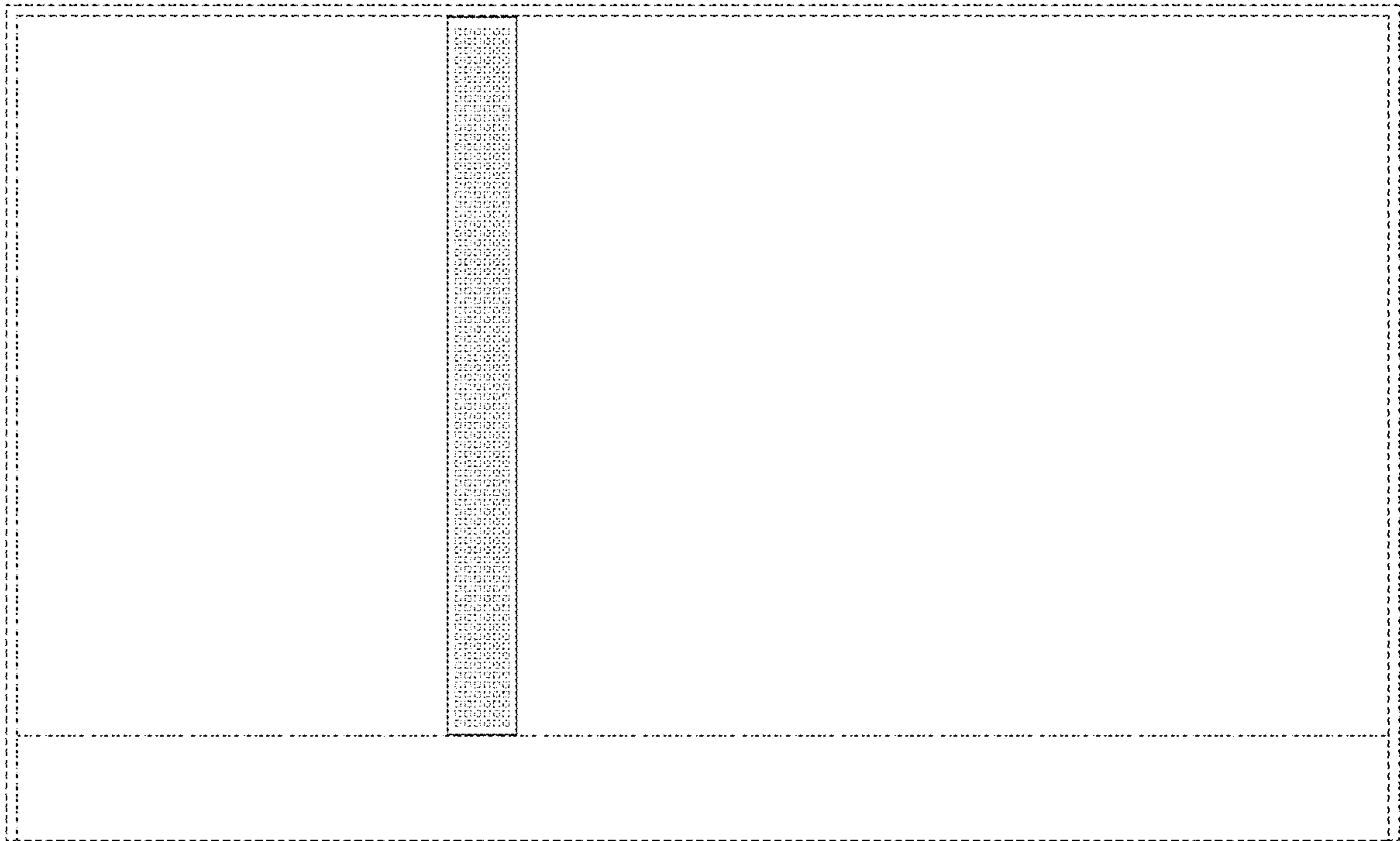


Fig. 4

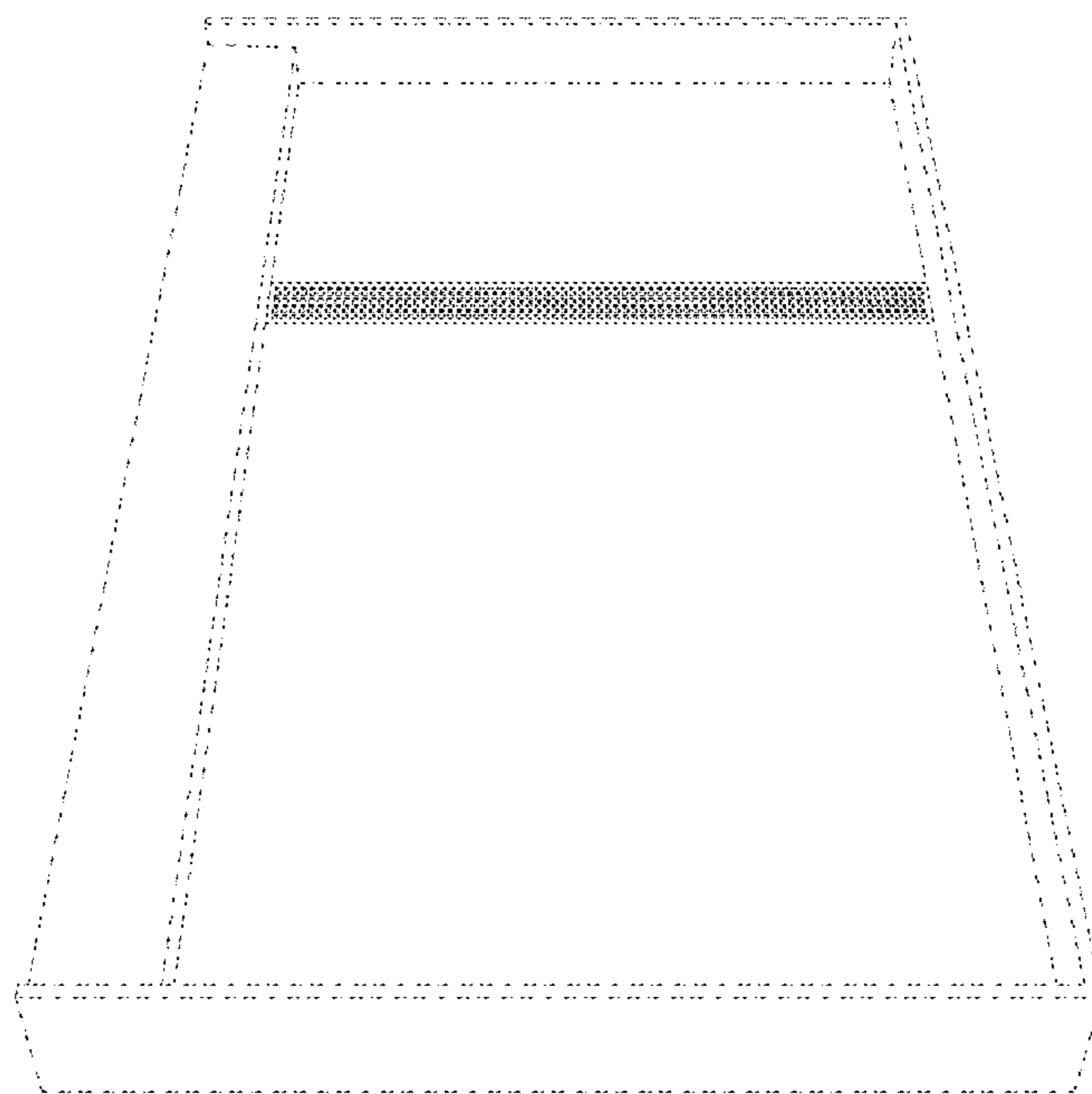


Fig. 5



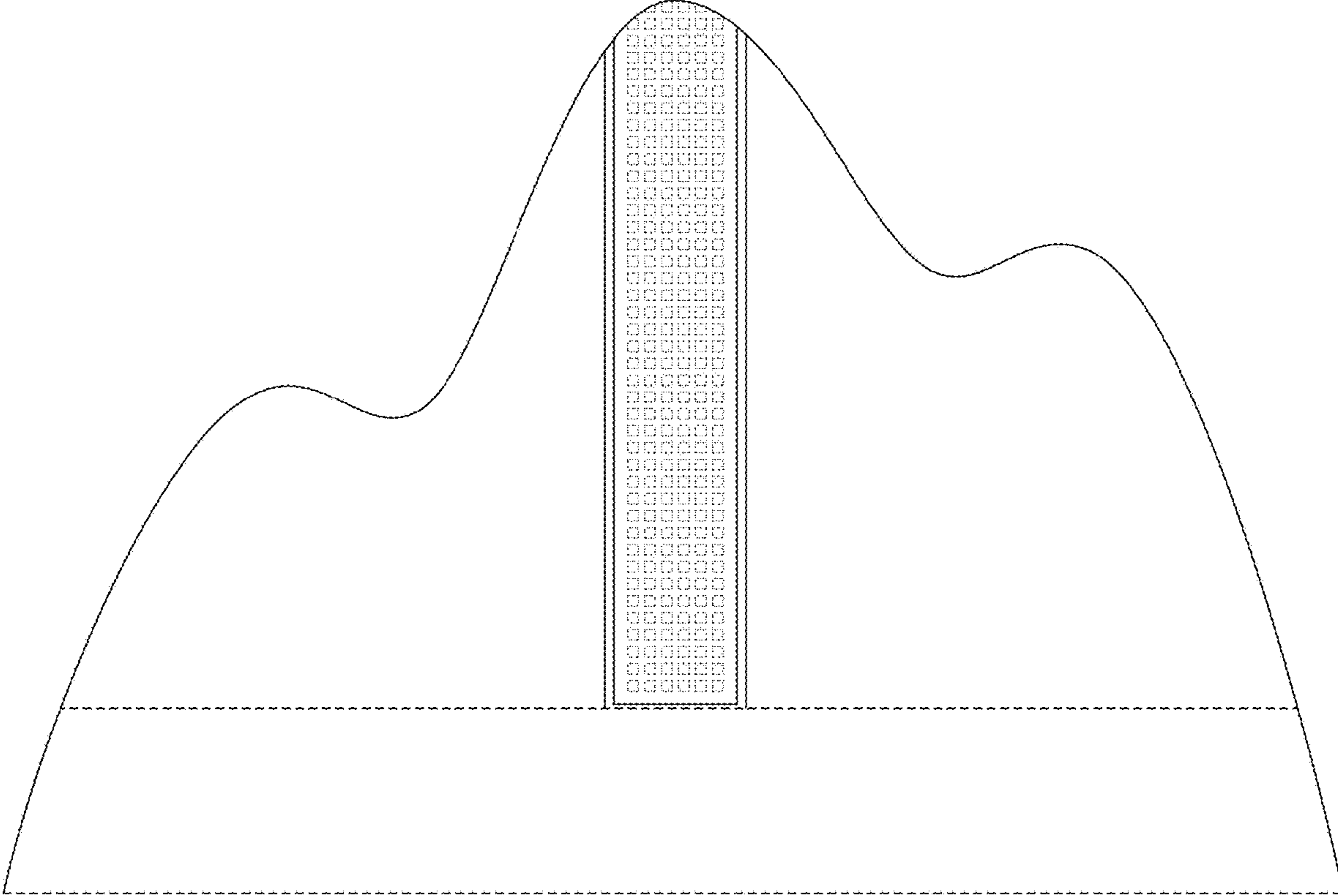


Fig. 6

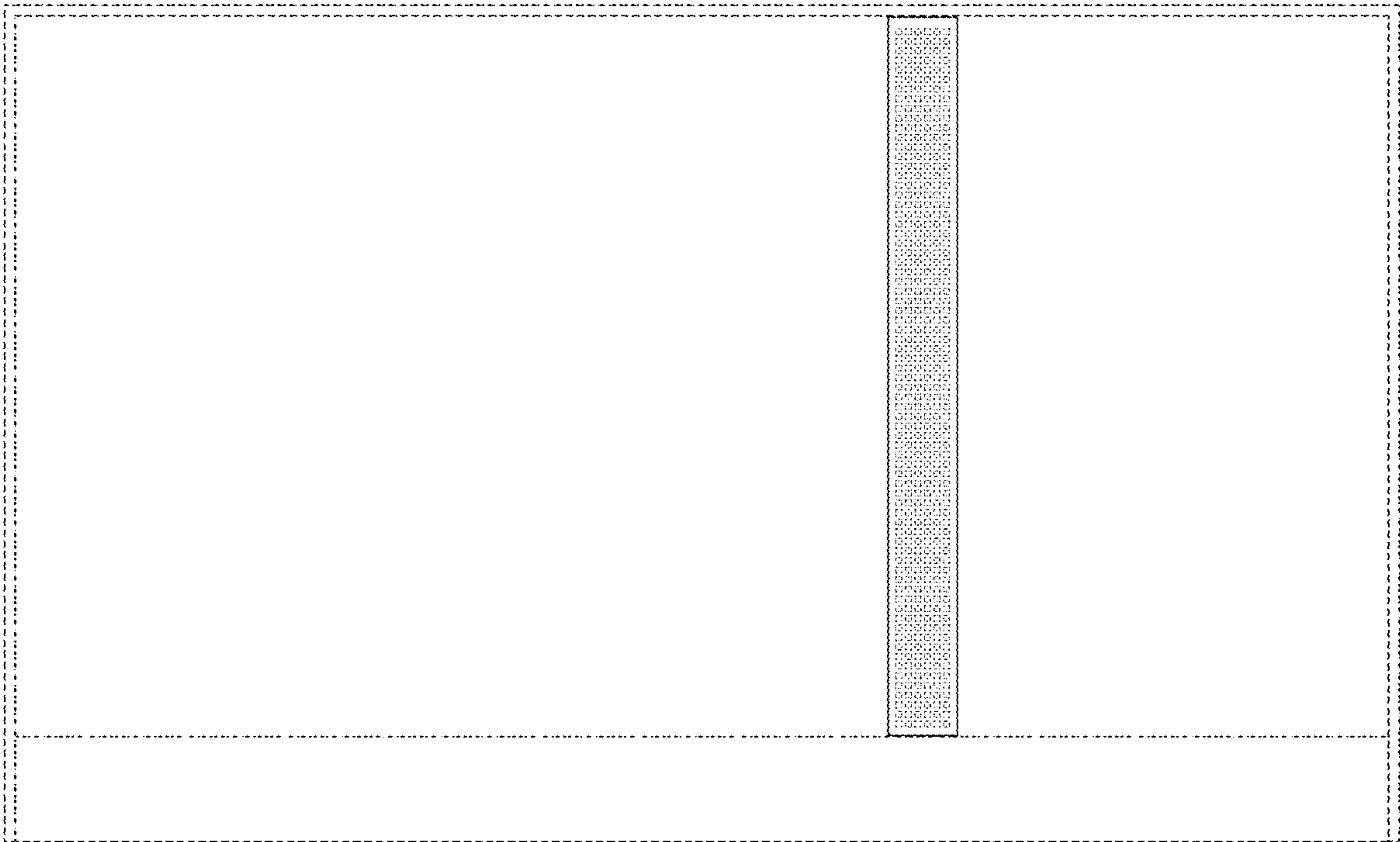


Fig. 7

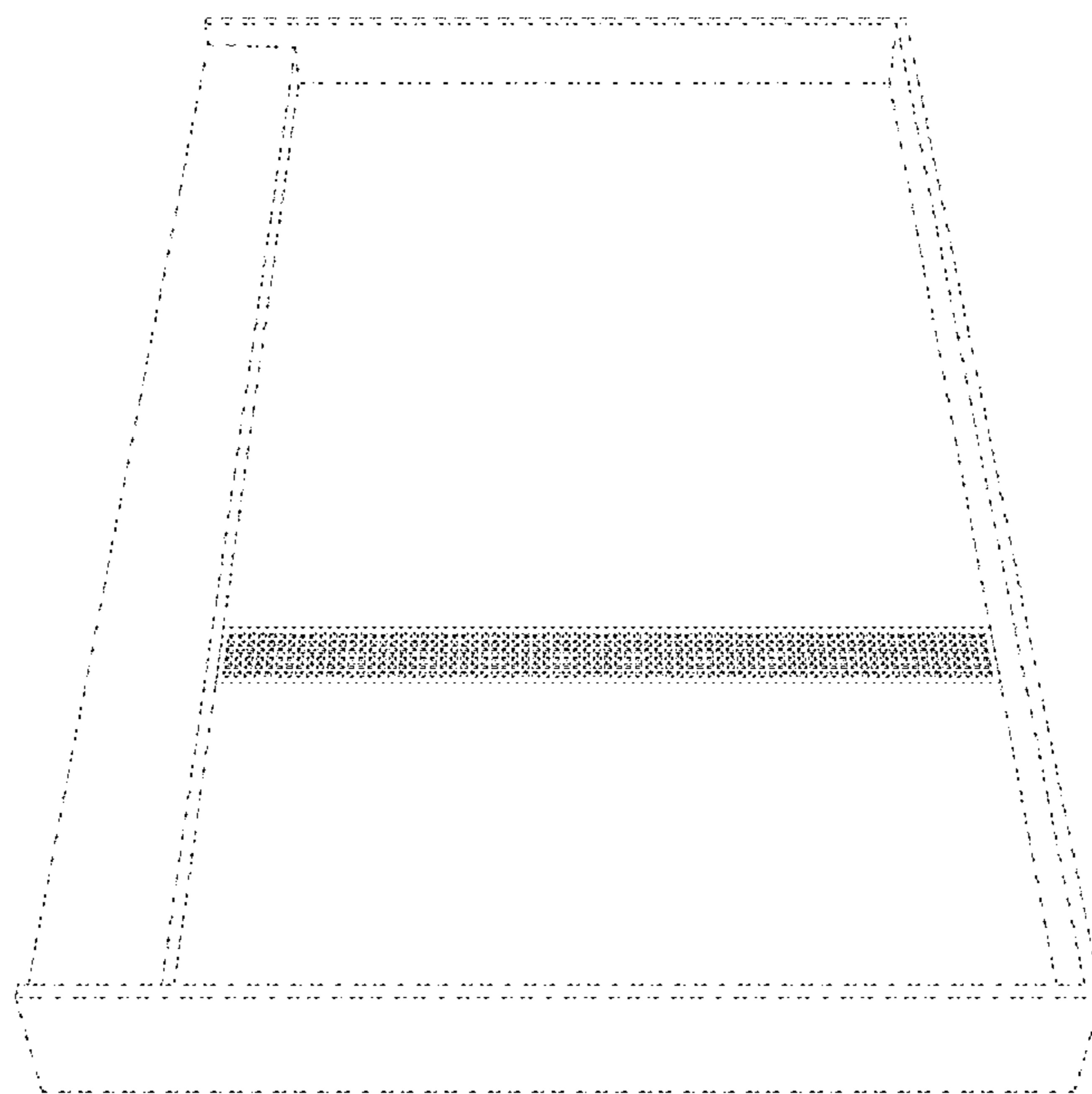


Fig. 8

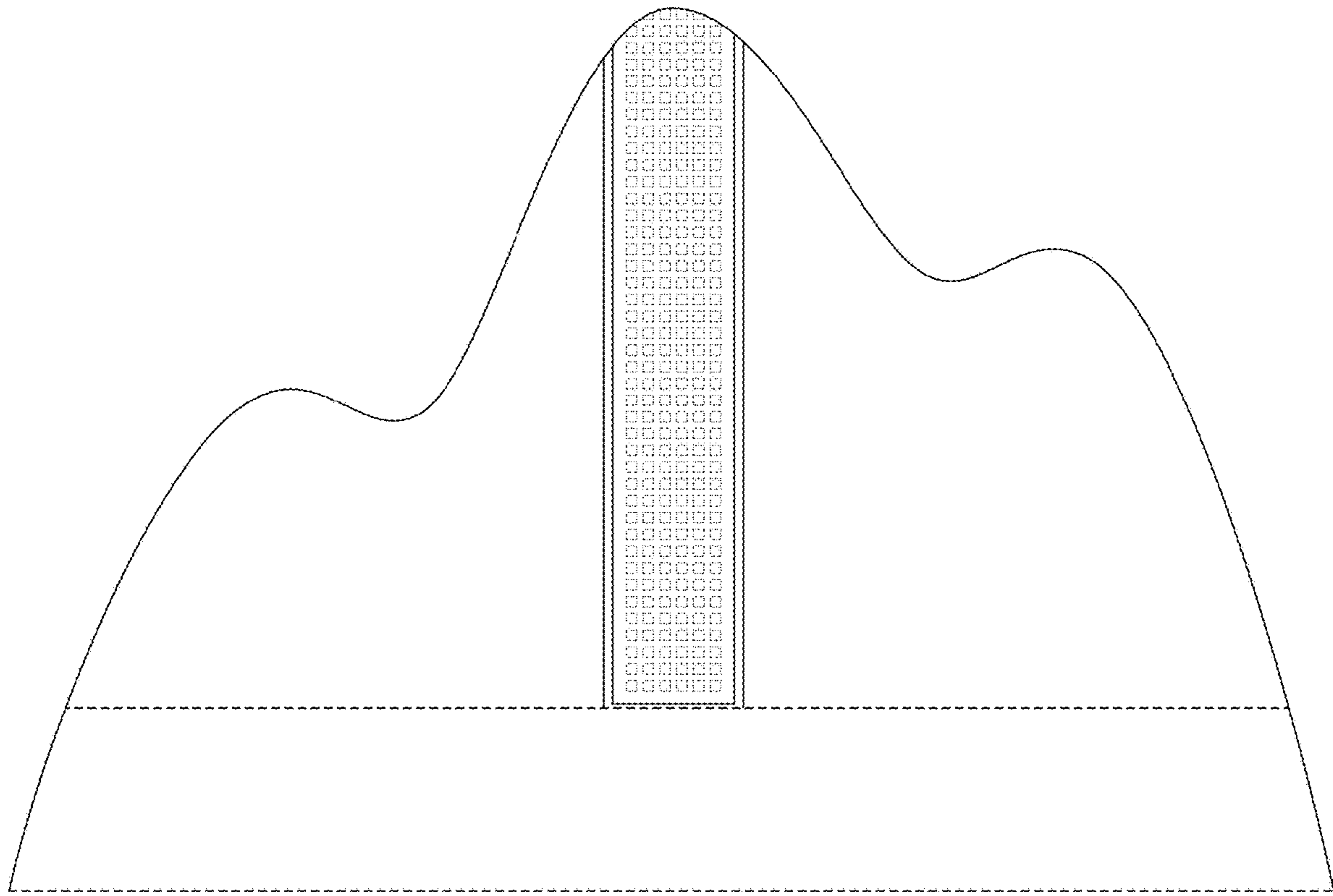


Fig. 9



UNITED STATES PATENT AND TRADEMARK OFFICE  
**CERTIFICATE OF CORRECTION**

PATENT NO. : D955,535 S  
APPLICATION NO. : 29/695796  
DATED : June 21, 2022  
INVENTOR(S) : Joseph R. Cook

Page 1 of 1

It is certified that error appears in the above-identified patent and that said Letters Patent is hereby corrected as shown below:

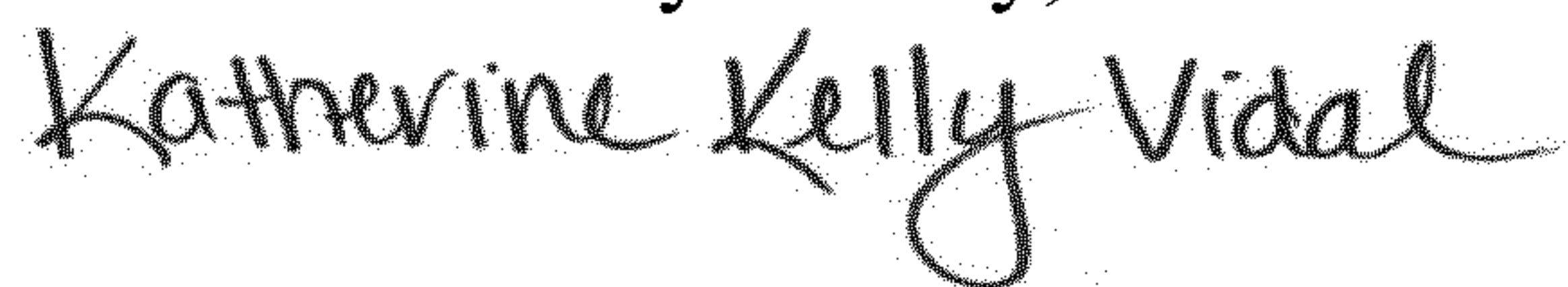
On the Title Page

In the Description

Line 2 of Fig. 3 description should read:  
design. The double object lines surrounding the drain grate

Line 2 of Fig. 6 description should read:  
design. The double object lines surrounding the drain grate

Signed and Sealed this  
Second Day of May, 2023



Katherine Kelly Vidal  
*Director of the United States Patent and Trademark Office*