



US00D955531S

(12) **United States Design Patent**
Yen

(10) **Patent No.:** **US D955,531 S**
(45) **Date of Patent:** **** Jun. 21, 2022**

(54) **HOSE CONNECTOR**

(71) Applicant: **Spring Art Company**, Changhua (TW)

(72) Inventor: **Ming-Tsan Yen**, Changhua (TW)

(73) Assignee: **Spring Art Company**, Changhua (TW)

(**) Term: **15 Years**

(21) Appl. No.: **29/757,550**

(22) Filed: **Nov. 6, 2020**

(51) **LOC (13) Cl.** **23-01**

(52) **U.S. Cl.**

USPC **D23/263; D23/262**

(58) **Field of Classification Search**

USPC D23/200, 206–209, 233–237, 259,
D23/322–323, 213, 230–232, 245, 365,

(Continued)

(56) **References Cited**

U.S. PATENT DOCUMENTS

4,817,996 A * 4/1989 Fouts F16L 33/01
285/179
5,215,335 A * 6/1993 Hamm, Jr. F16L 33/00
248/68.1

(Continued)

OTHER PUBLICATIONS

Uxcell Brass Barb Hose Fitting; Amazon First Available Date Mar. 8, 2019; Visited Online Nov. 24, 2021; https://www.amazon.com/uxcell-Fitting-Degree-Adapter-Connector/dp/B07PGZ5D79/ref=sr_l_118_sspa?keywords=Elbow%2BHose%2BConnector&qid=1637765039&s=hi&sr=1-118-sponZW5jcGVkUXVhbGlmaWVyPUFYTOIHNI (Year: 2019).*

Primary Examiner — Amy C Wierenga

(74) *Attorney, Agent, or Firm* — Alan D. Kamrath; Karin L. Williams; Mayer & Williams PC

(57) **CLAIM**

The ornamental design for a hose connector, as shown and described.

DESCRIPTION

FIG. 1 is a perspective view of a first embodiment of a hose connector showing my new design;

FIG. 2 is a front elevational view thereof;

FIG. 3 is a rear elevational view thereof;

FIG. 4 is a left side elevational view thereof;

FIG. 5 is a right side elevational view thereof;

FIG. 6 is a top plan view thereof;

FIG. 7 is a bottom plan view thereof;

FIG. 8 is a perspective view of a second embodiment of a hose connector showing my new design;

FIG. 9 is a front elevational view of the hose connector of FIG. 8;

FIG. 10 is a rear elevational view of the hose connector of FIG. 8;

FIG. 11 is a left side elevational view of the hose connector of FIG. 8;

FIG. 12 is a right side elevational view of the hose connector of FIG. 8;

FIG. 13 is a top plan view of the hose connector of FIG. 8;

FIG. 14 is a bottom plan view of the hose connector of FIG. 8;

FIG. 15 is a perspective view of a third embodiment of a hose connector showing my new design;

FIG. 16 is a front elevational view of the hose connector of FIG. 15;

FIG. 17 is a rear elevational view of the hose connector of FIG. 15;

FIG. 18 is a left side elevational view of the hose connector of FIG. 15;

FIG. 19 is a right side elevational view of the hose connector of FIG. 15;

FIG. 20 is a top plan view of the hose connector of FIG. 15;

FIG. 21 is a bottom plan view of the hose connector of FIG. 15;

FIG. 22 is a perspective view of a fourth embodiment of a hose connector showing my new design;

FIG. 23 is a front elevational view of the hose connector of FIG. 22;

(Continued)

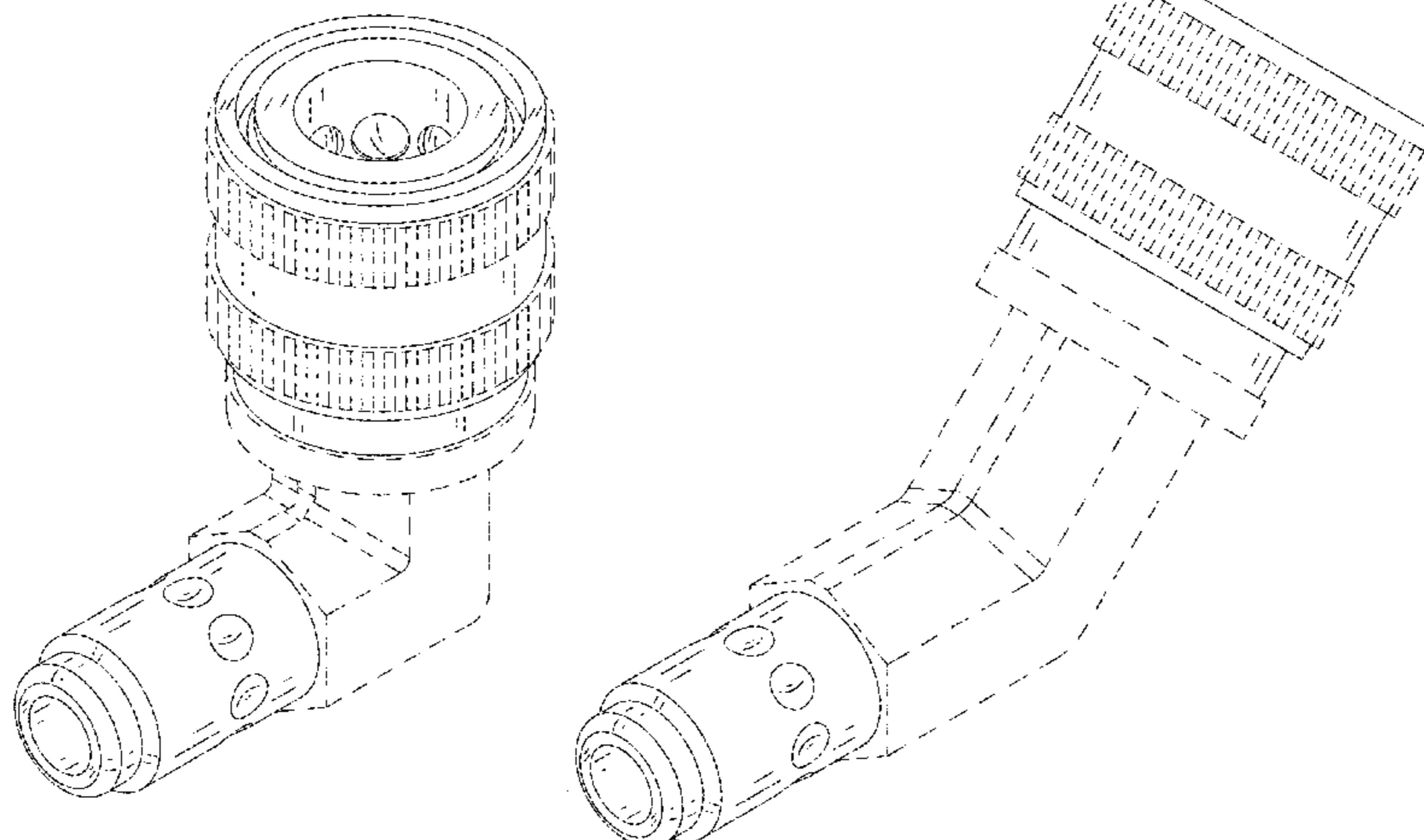


FIG. 24 is a rear elevational view of the hose connector of FIG. 22;
 FIG. 25 is a left side elevational view of the hose connector of FIG. 22;
 FIG. 26 is a right side elevational view of the hose connector of FIG. 22;
 FIG. 27 is a top plan view of the hose connector of FIG. 22; and,
 FIG. 28 is a bottom plan view of the hose connector of FIG. 22.

The broken lines showing of the hose connector is for the purpose of illustrating portions of the article and forms no part of the claimed design.

1 Claim, 28 Drawing Sheets

(58) **Field of Classification Search**

USPC D23/262-263, 266, 268, 231-232, 265;
 210/222-223; 209/39; D13/147, 154,
 D13/156; 138/26, 30; 285/9.1, 129.1,
 285/133.11, 207.5, 208, 210, 213, 83,
 285/275, 277, 148.14, 148.21, 268, 148.2,
 285/179; D24/127, 129
 CPC ... F28F 23/02; F28F 2250/08; F16L 2201/30;
 F16L 25/00; F16L 55/04; F16K 51/36;
 F16K 1/42; F16K 7/17; B01D 27/08;
 B01D 24/10; B01D 33/50; B05B 1/18;

C02F 1/003; E03C 1/02

See application file for complete search history.

(56)

References Cited

U.S. PATENT DOCUMENTS

D356,147	S *	3/1995	Clivio	D23/262
D434,834	S *	12/2000	Goto	D23/262
D613,373	S *	4/2010	Zore	D23/233
7,887,097	B2 *	2/2011	Blivet	F16L 37/0841 285/45
D634,818	S *	3/2011	Leroyer	D23/263
D634,820	S *	3/2011	Leroyer	D23/263
D645,547	S *	9/2011	Lombardi	D23/262
8,303,000	B2 *	11/2012	Liu	F16L 37/42 285/277
D741,458	S *	10/2015	Guest	D23/262
D746,958	S *	1/2016	Gledhill	D23/262
D751,675	S *	3/2016	Gledhill	D23/259
D774,163	S *	12/2016	Solakian	D23/213
D804,618	S *	12/2017	Hurley	D23/259
D832,409	S *	10/2018	Sugatani	D23/263
2010/0295292	A1 *	11/2010	Wang	F16L 33/224 285/24
2011/0271515	A1 *	11/2011	Poder	F16L 37/144 29/525.01
2014/0326345	A1 *	11/2014	Kuo	F16L 37/28 137/798
2015/0226360	A1 *	8/2015	Souma	B29C 45/2614 285/179

* cited by examiner

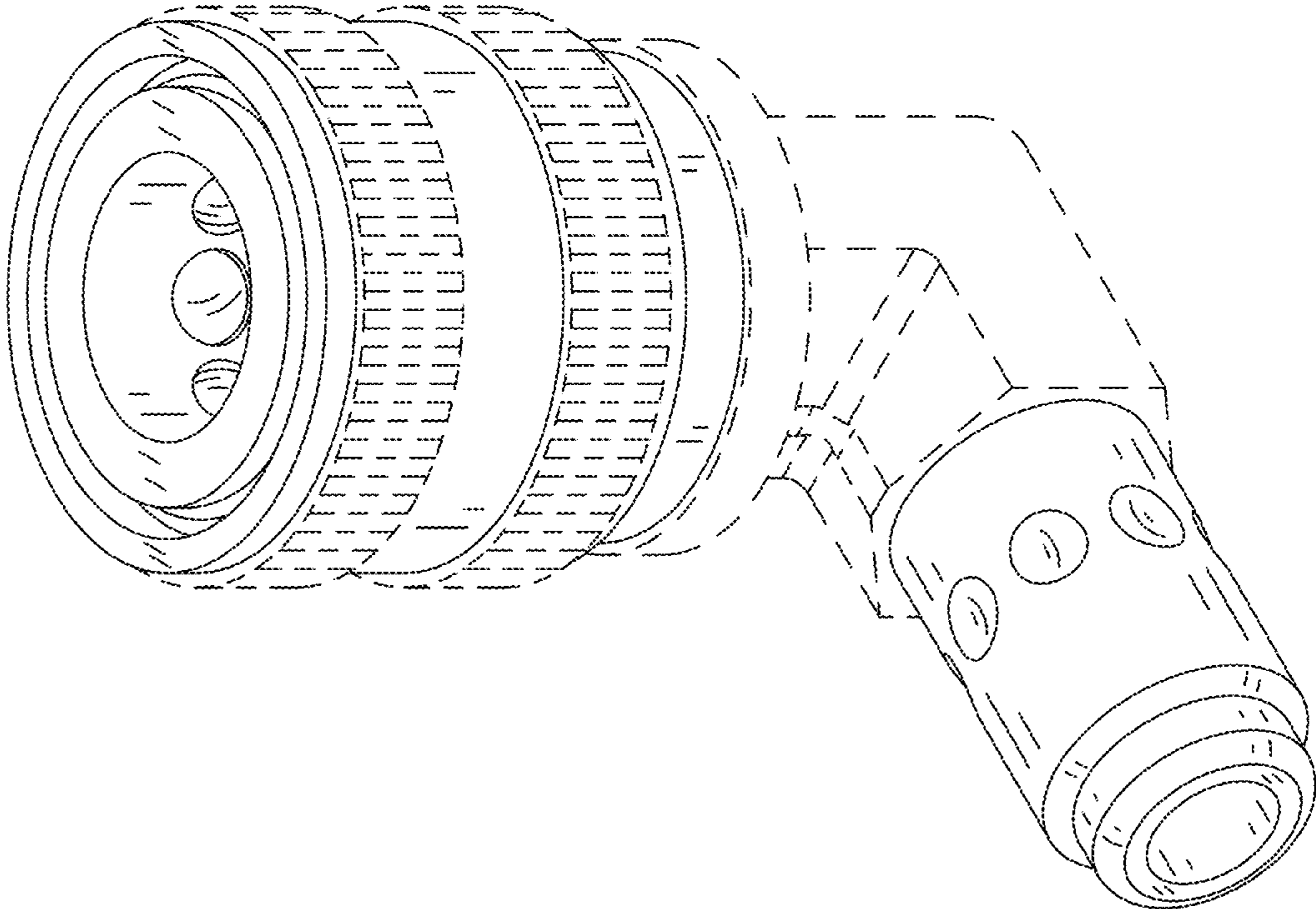


FIG. 1

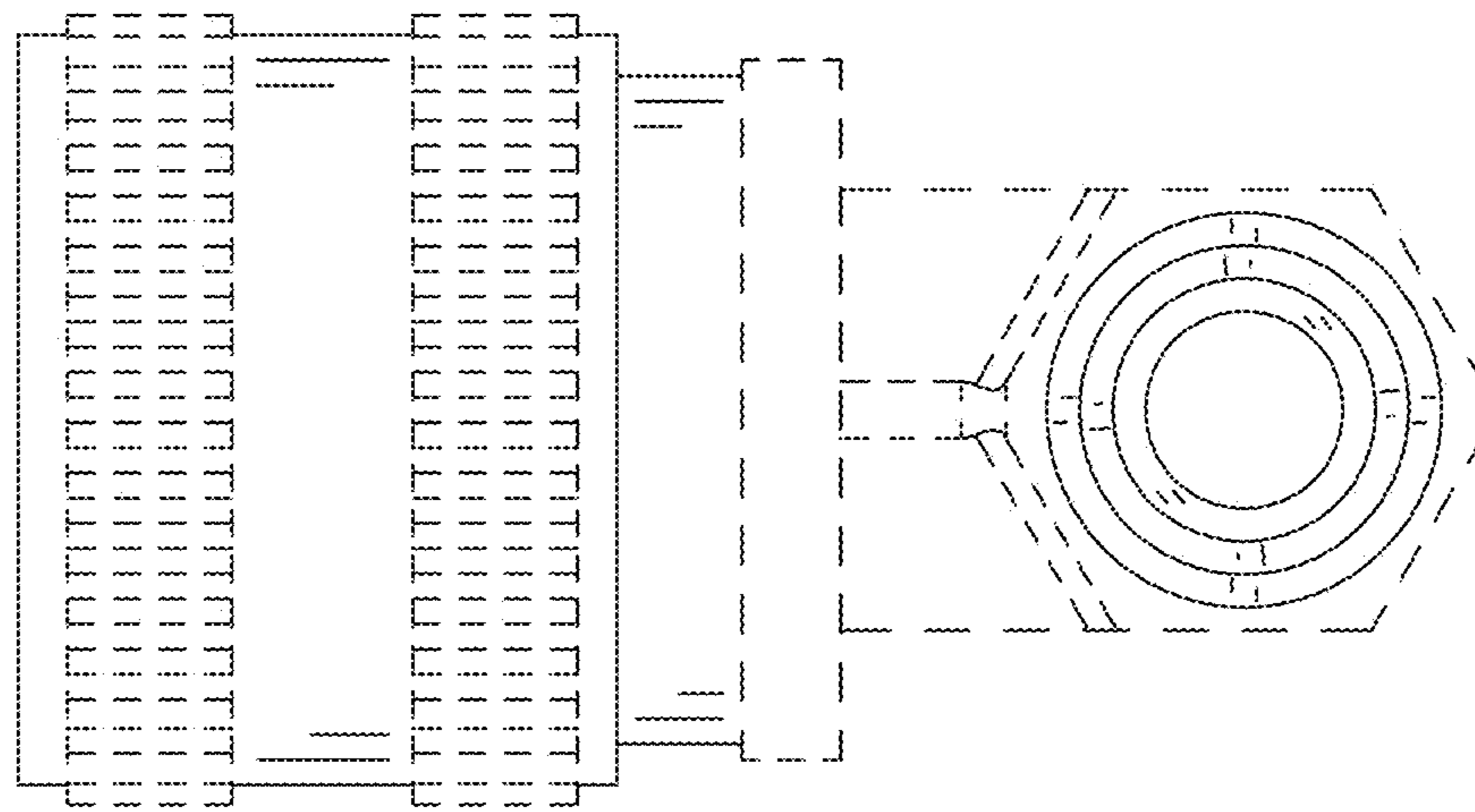


FIG. 2

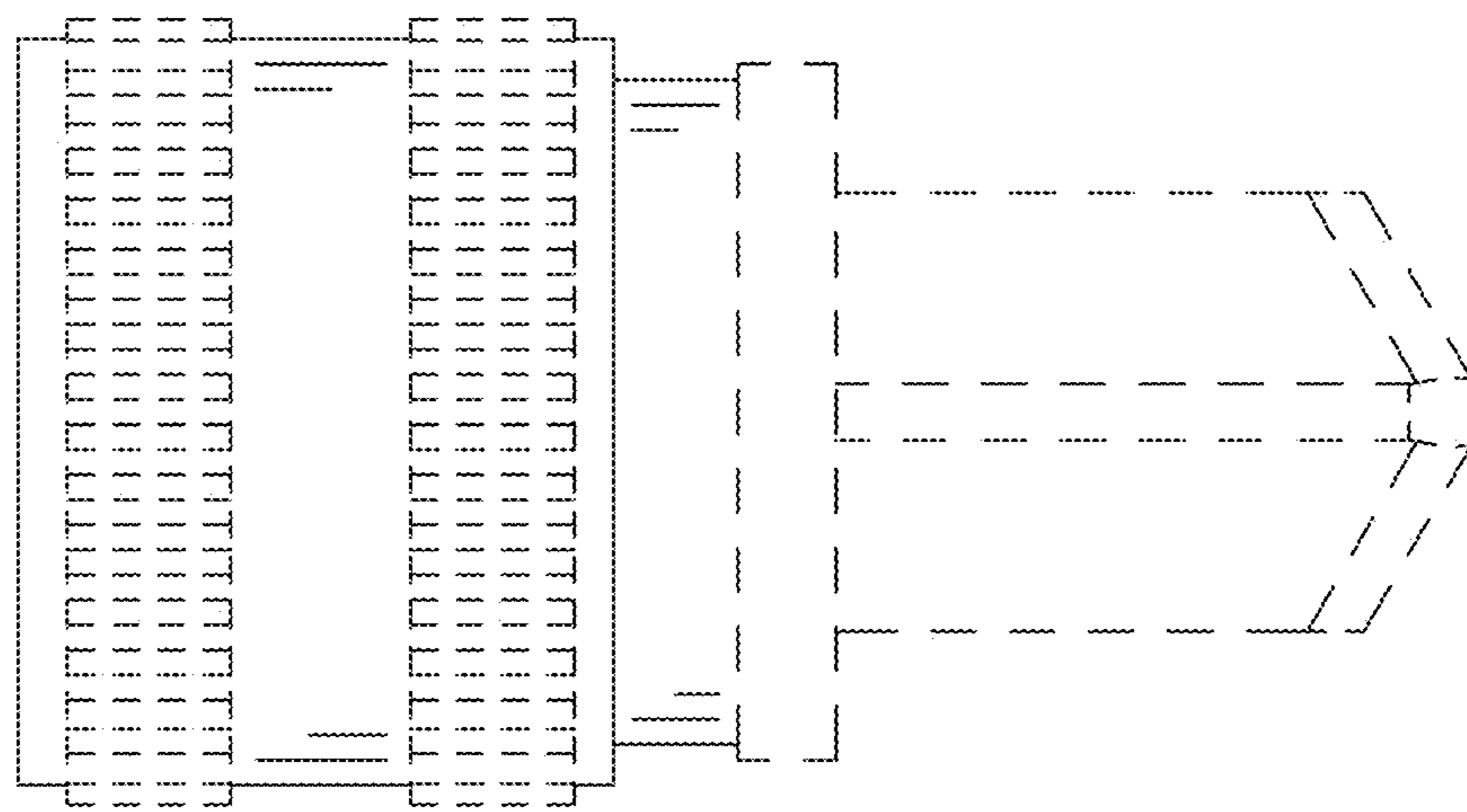


FIG. 3

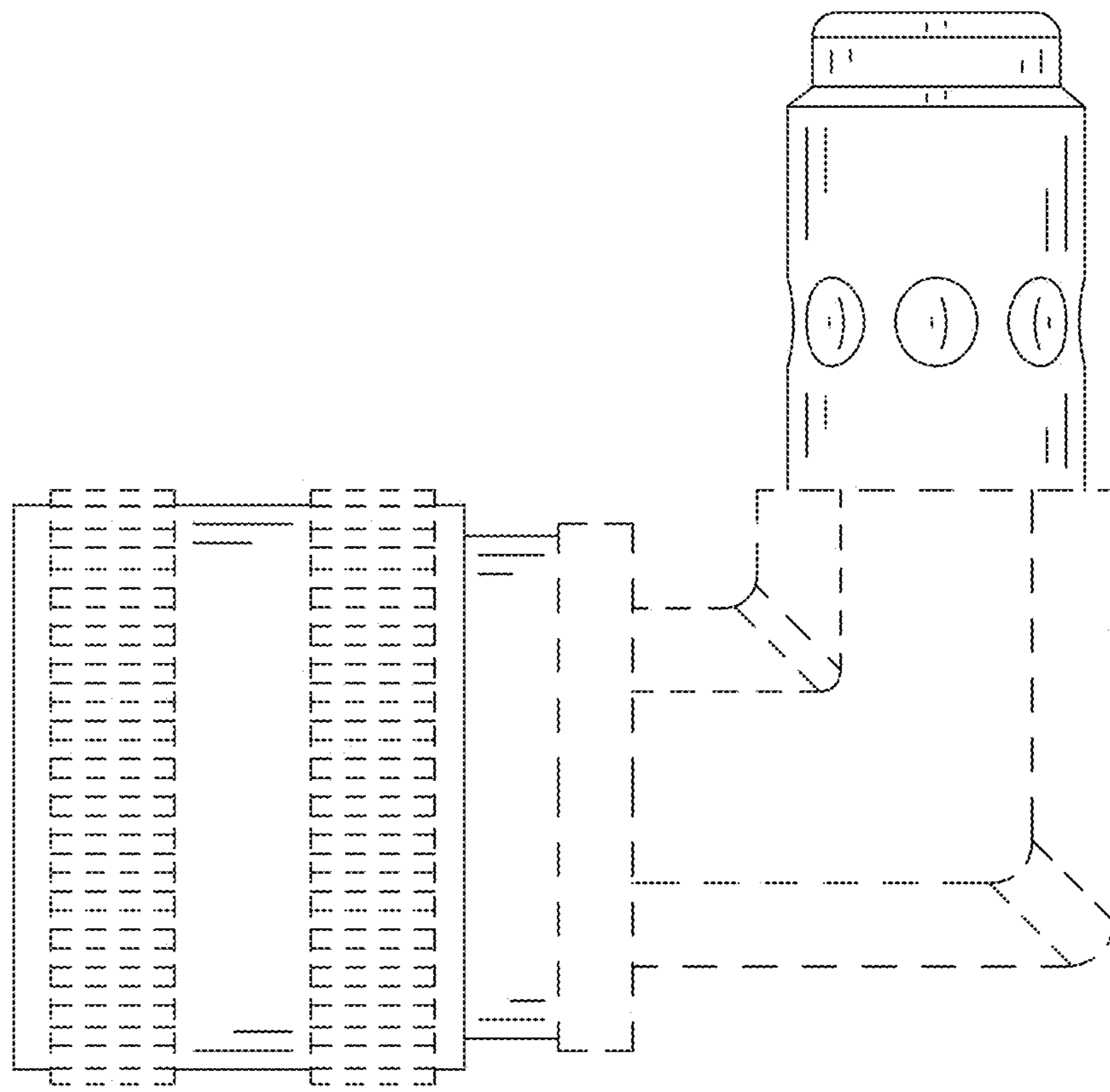


FIG. 4

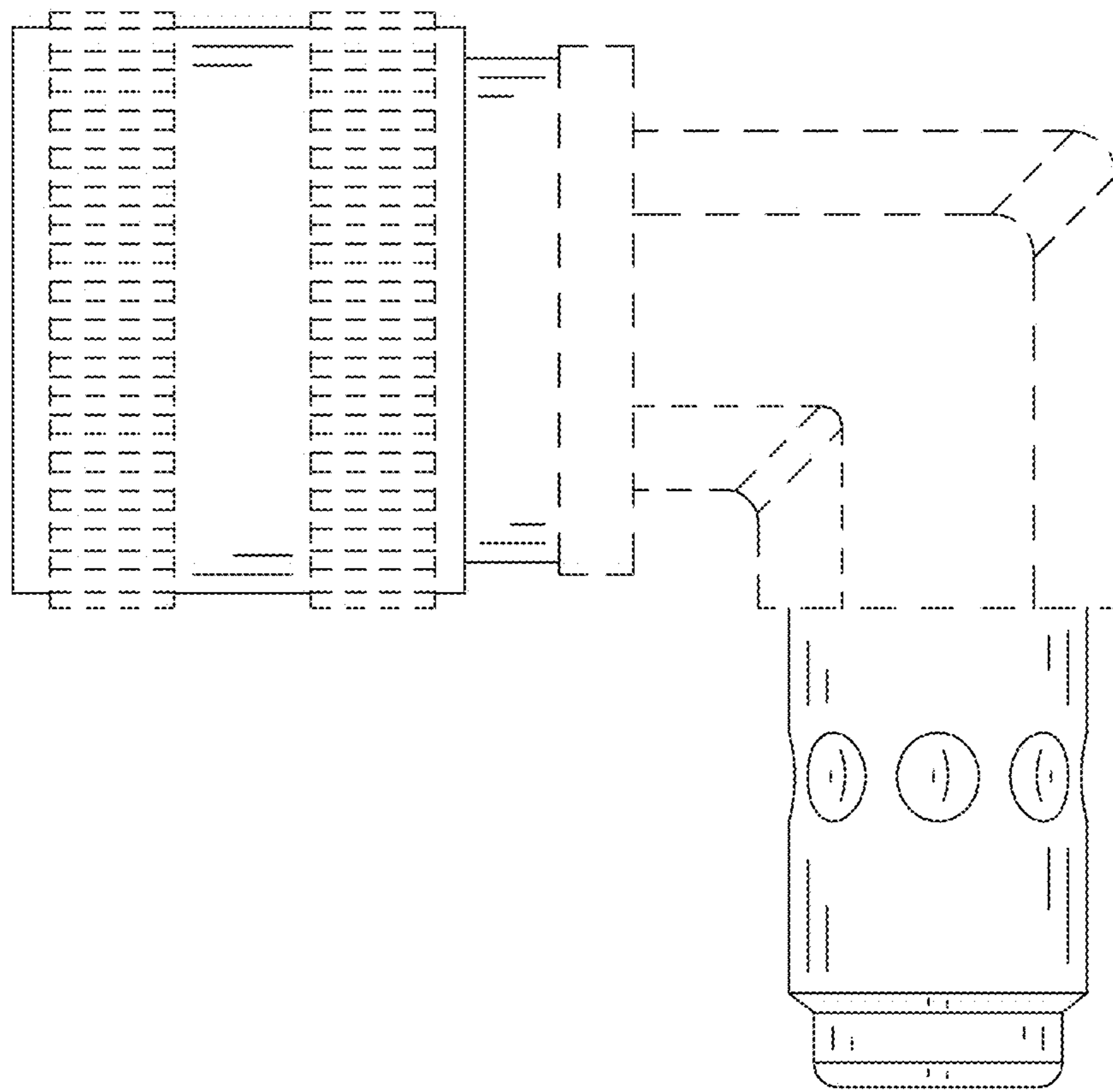


FIG. 5

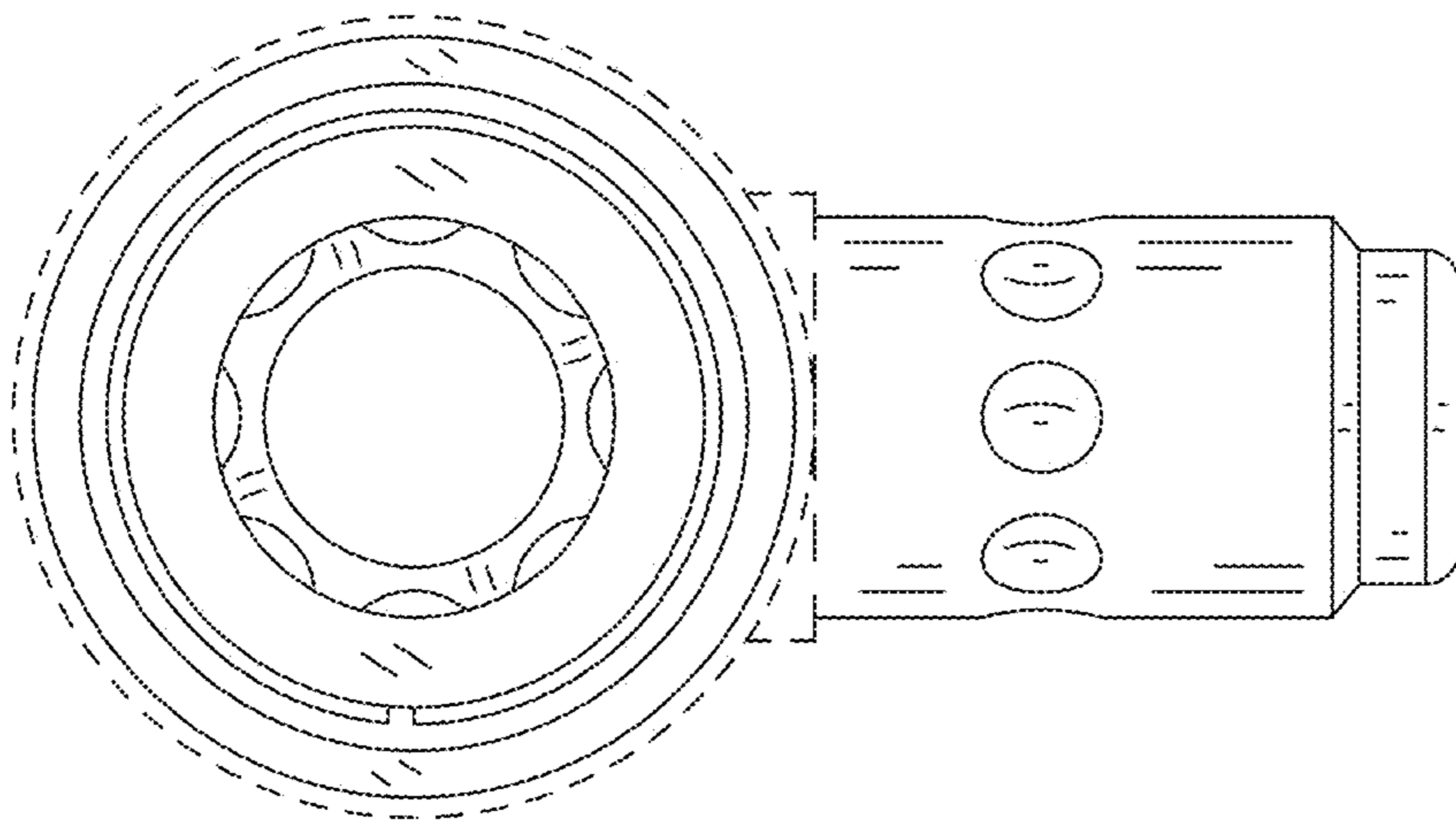


FIG. 6

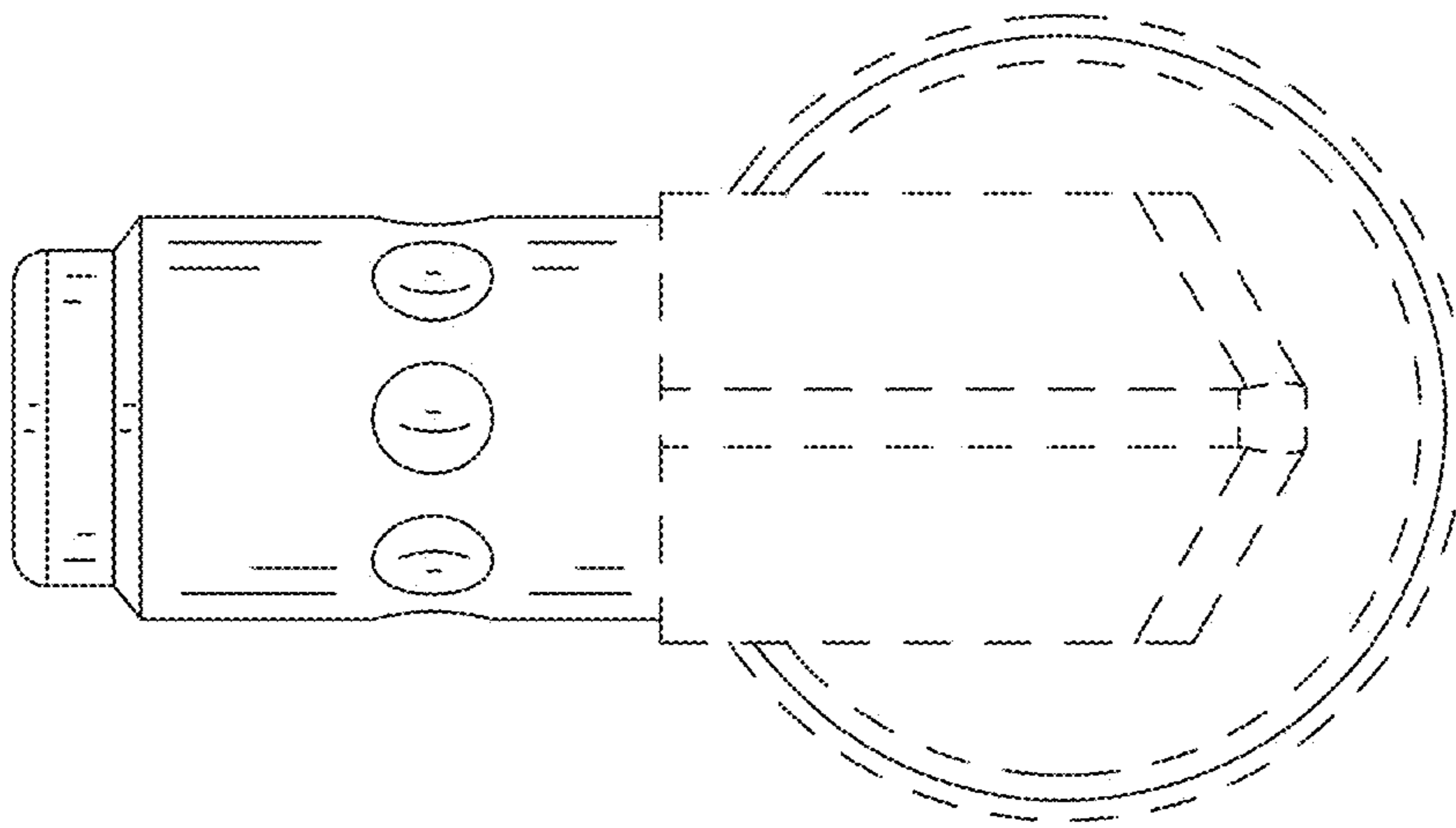


FIG. 7

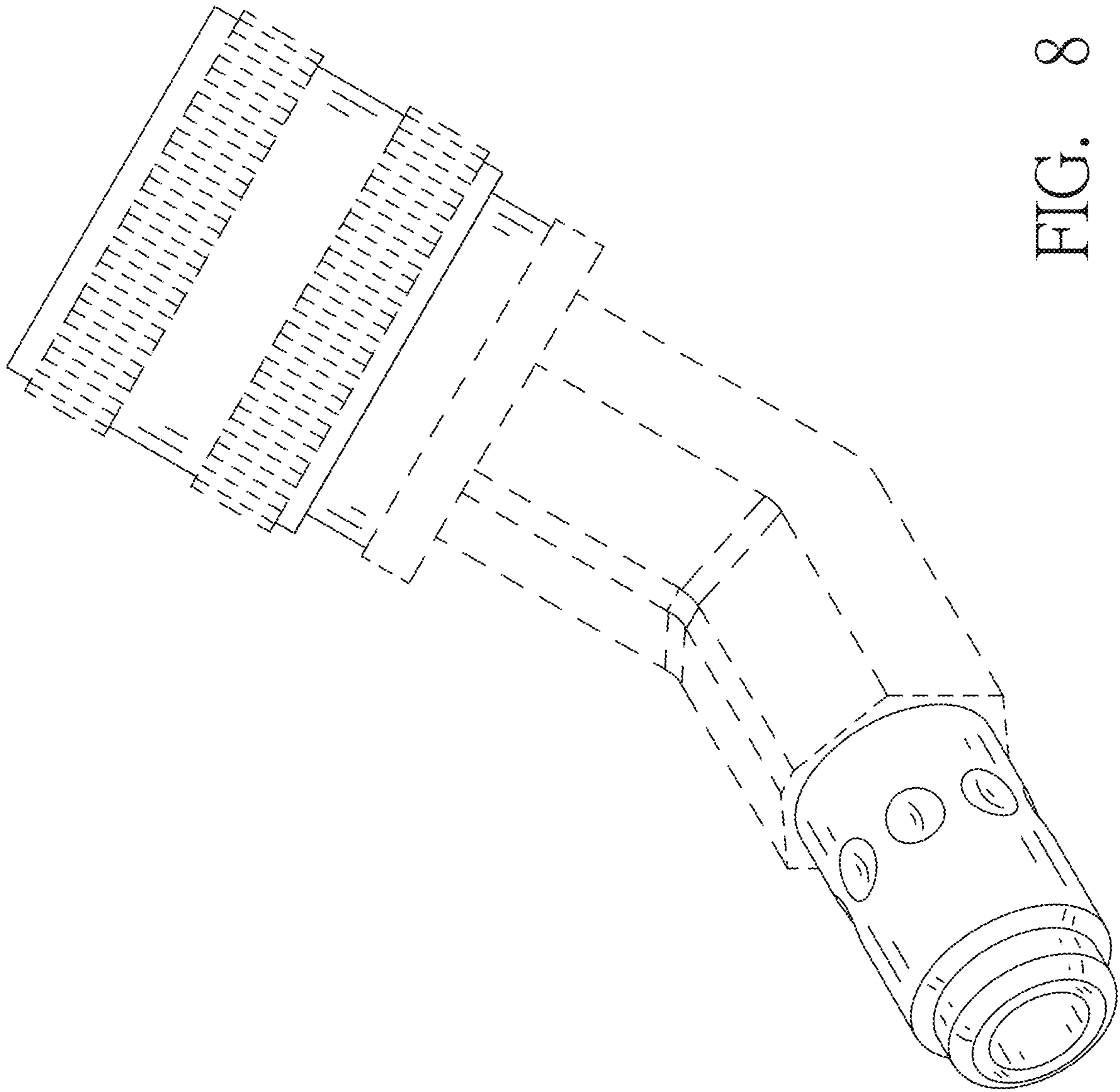


FIG. 8

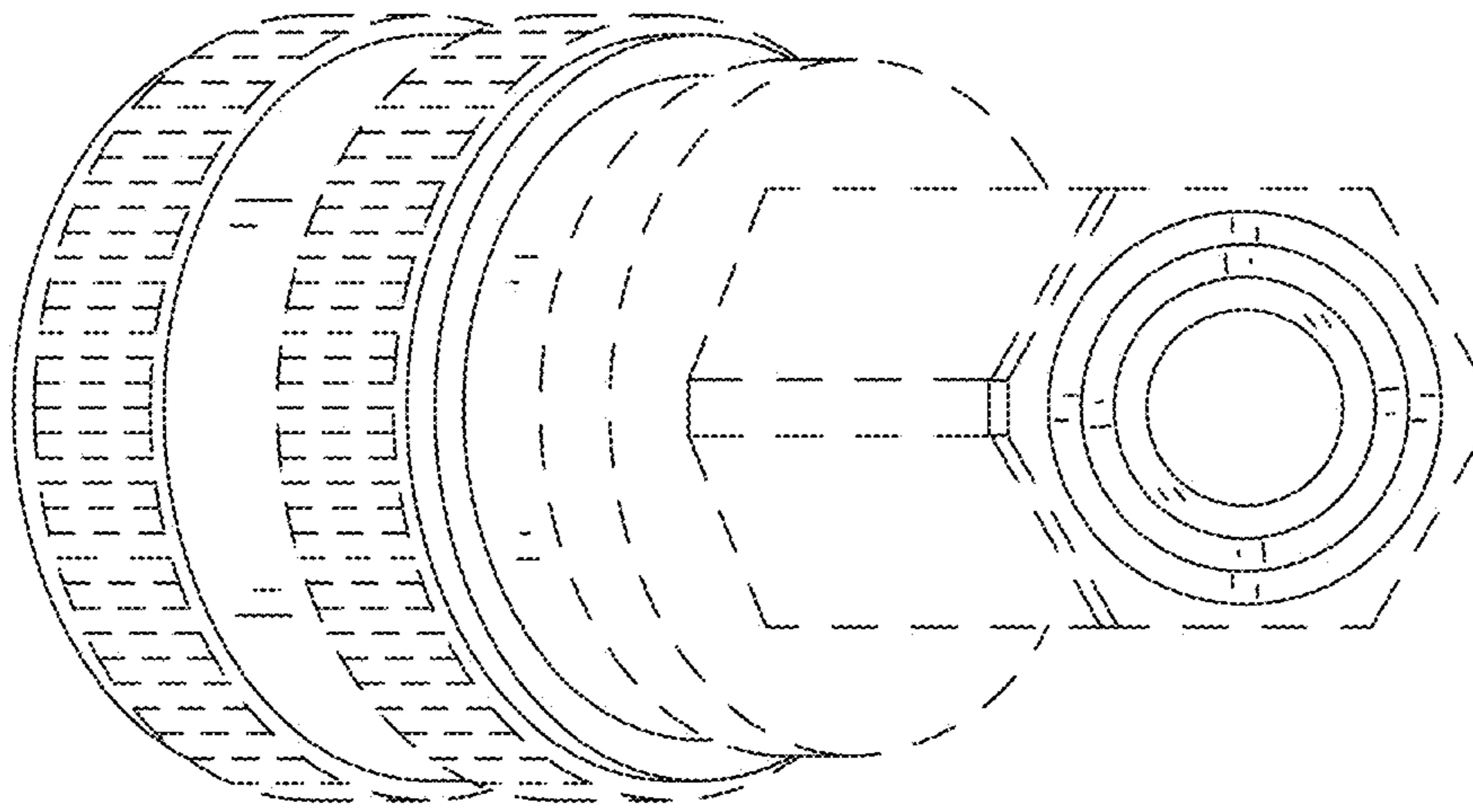


FIG. 9

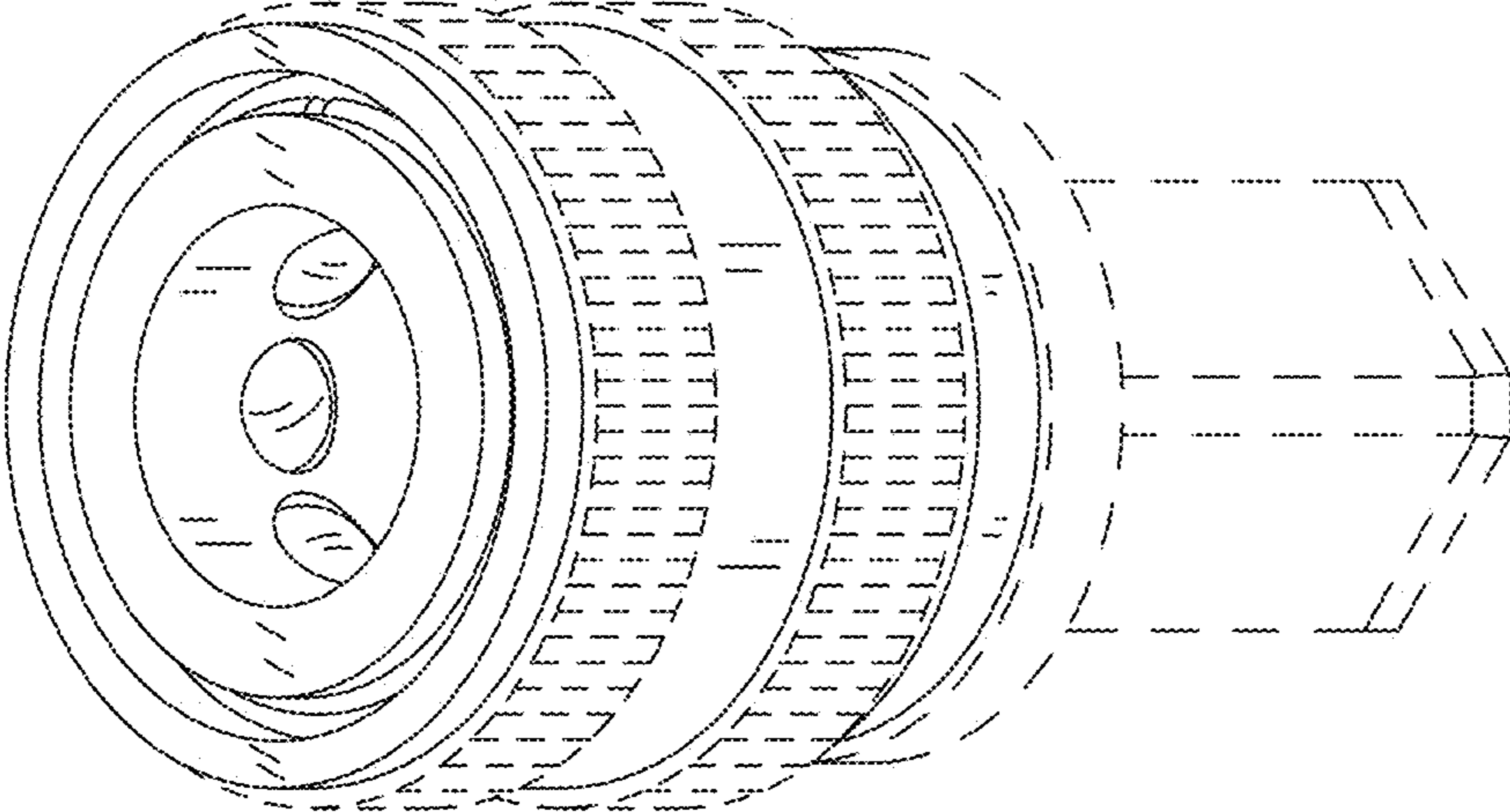


FIG. 10

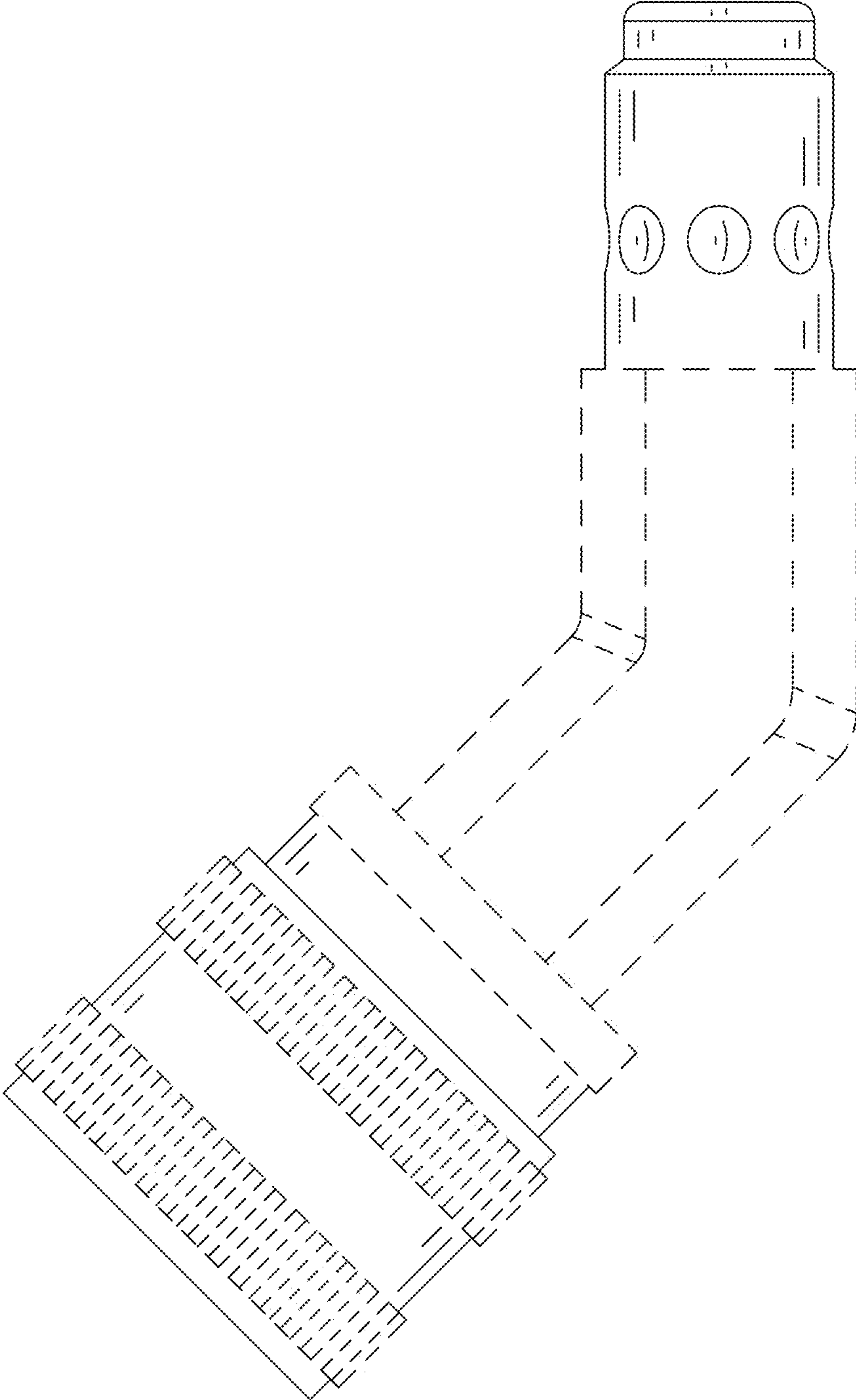


FIG. 11

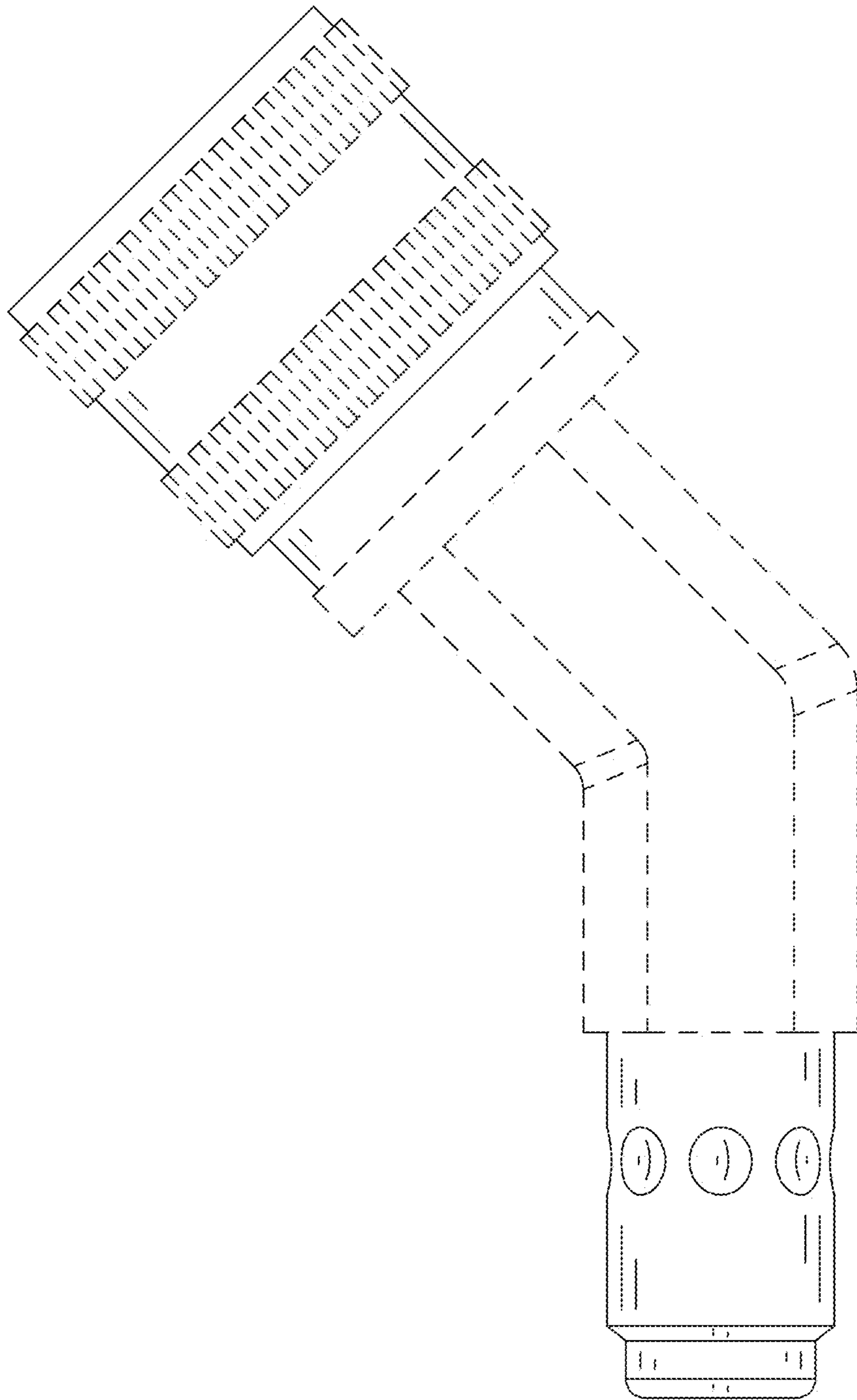


FIG. 12

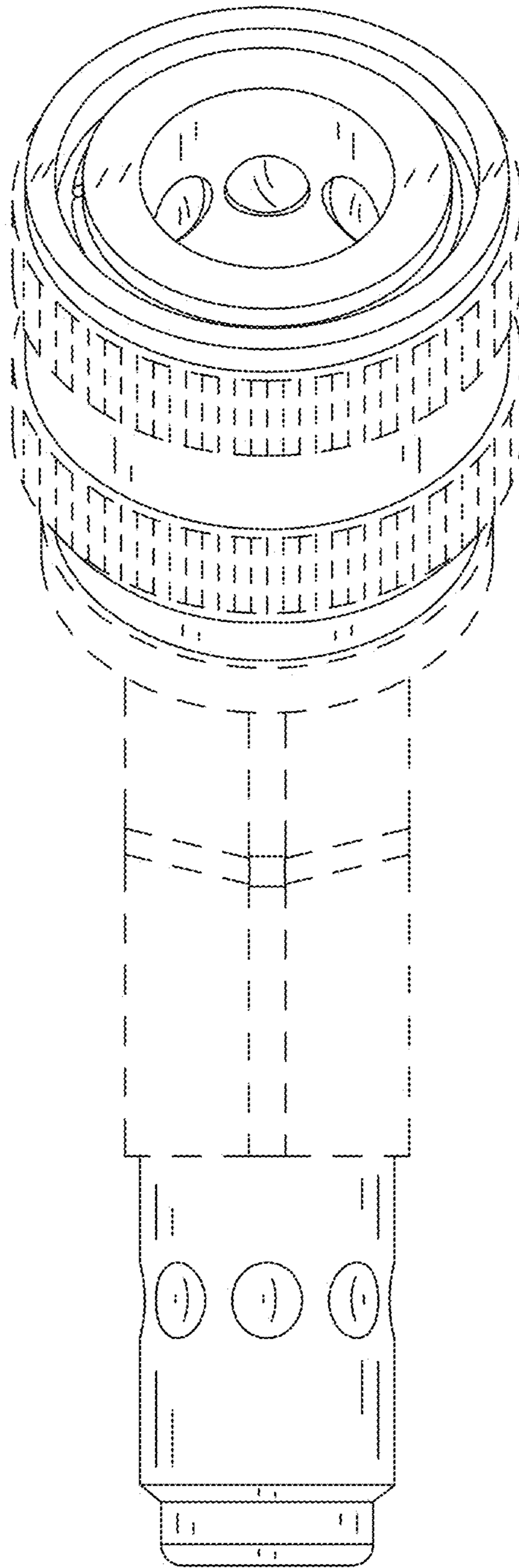


FIG. 13

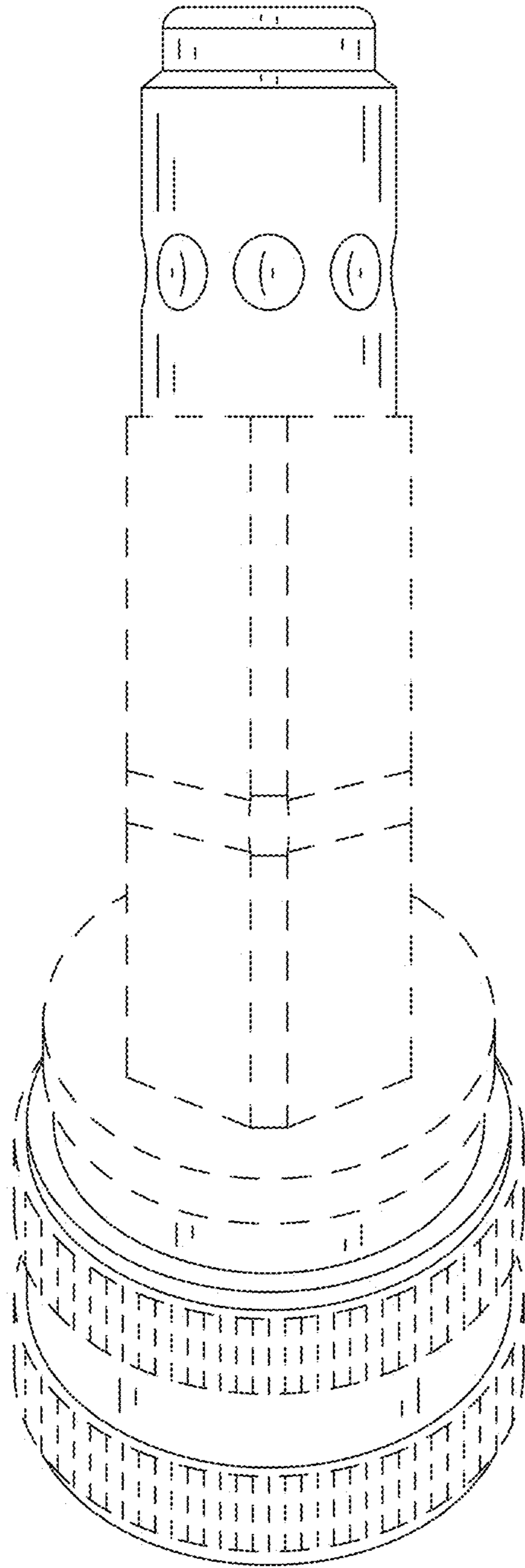


FIG. 14

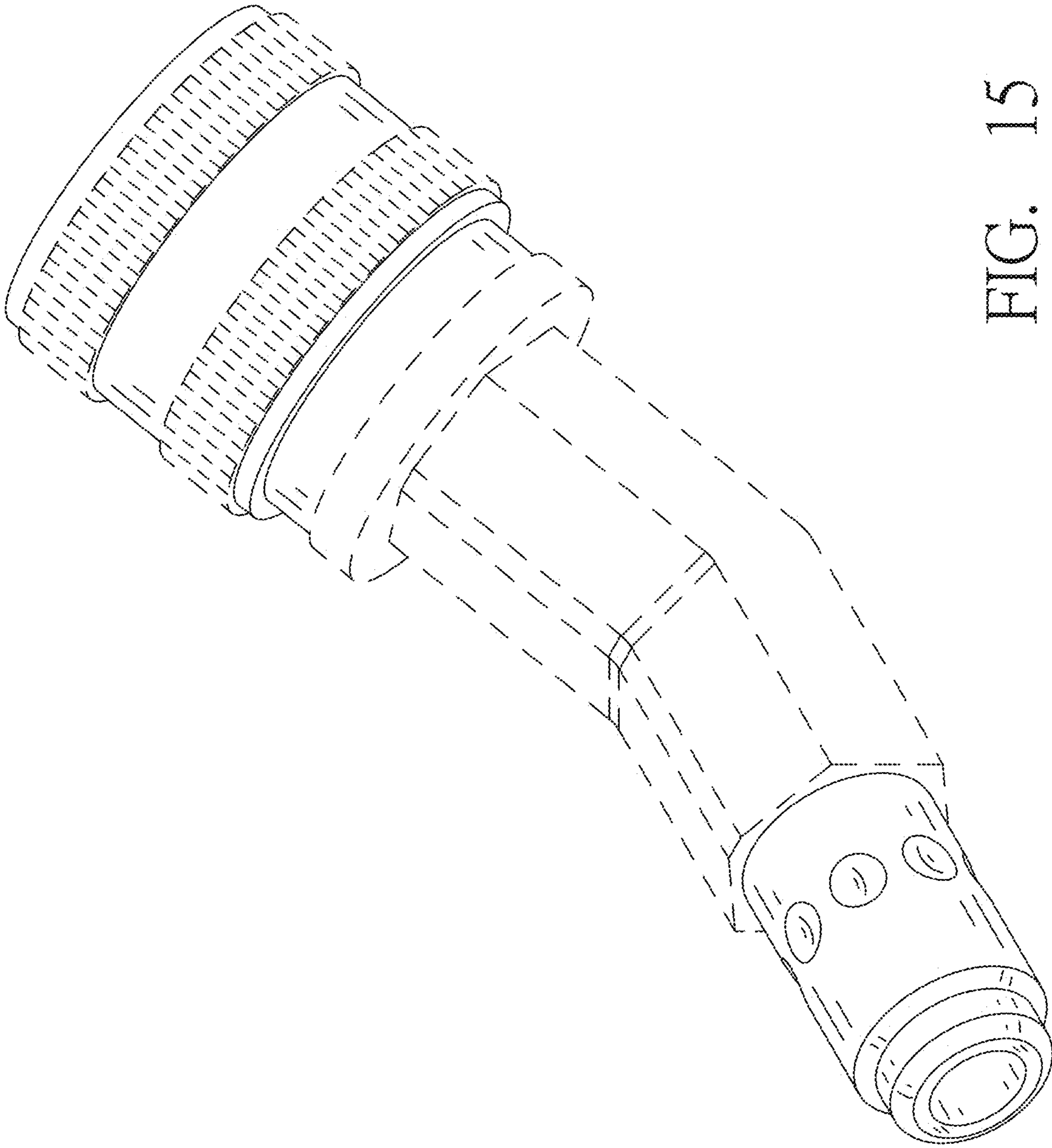


FIG. 15

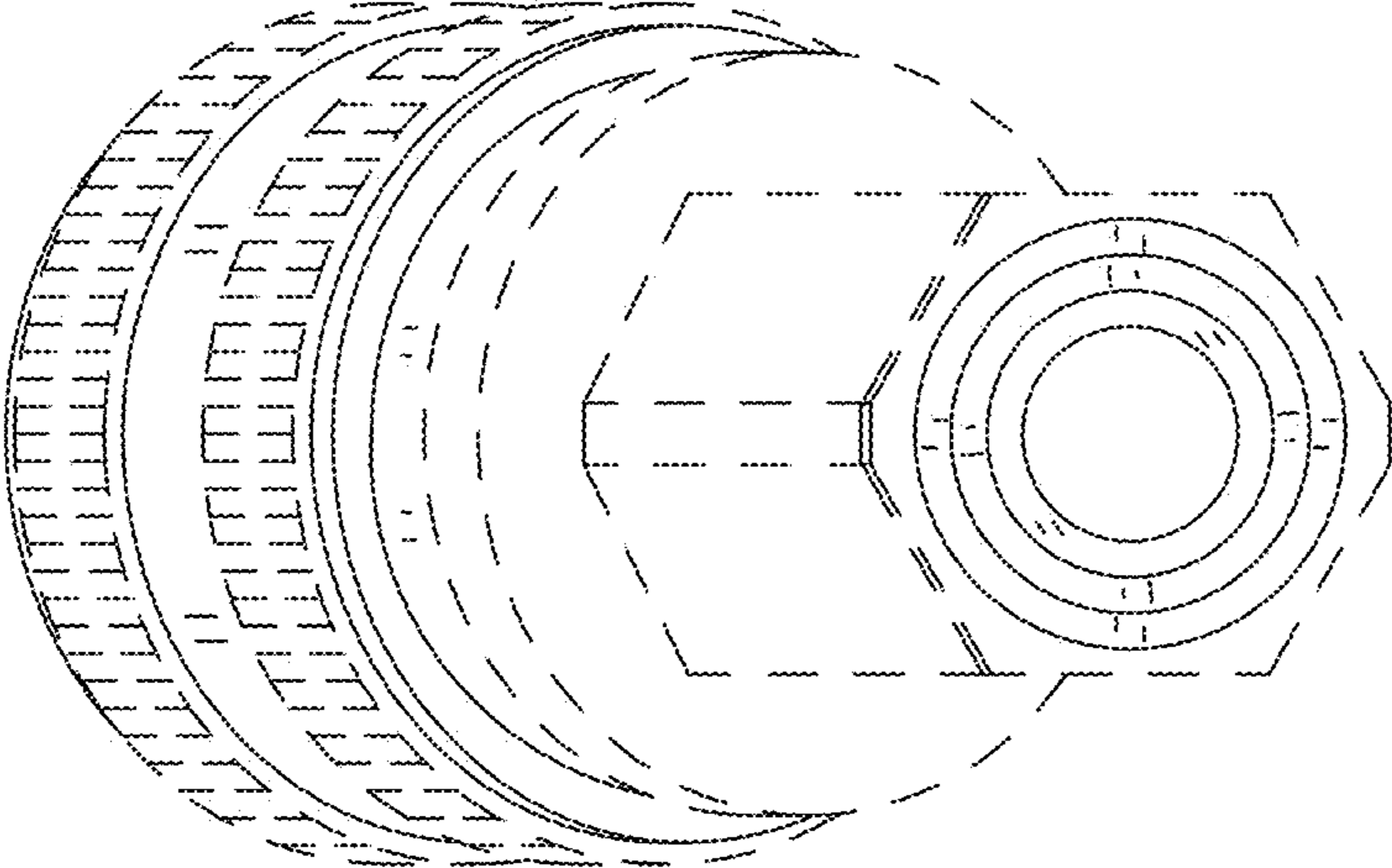


FIG. 16

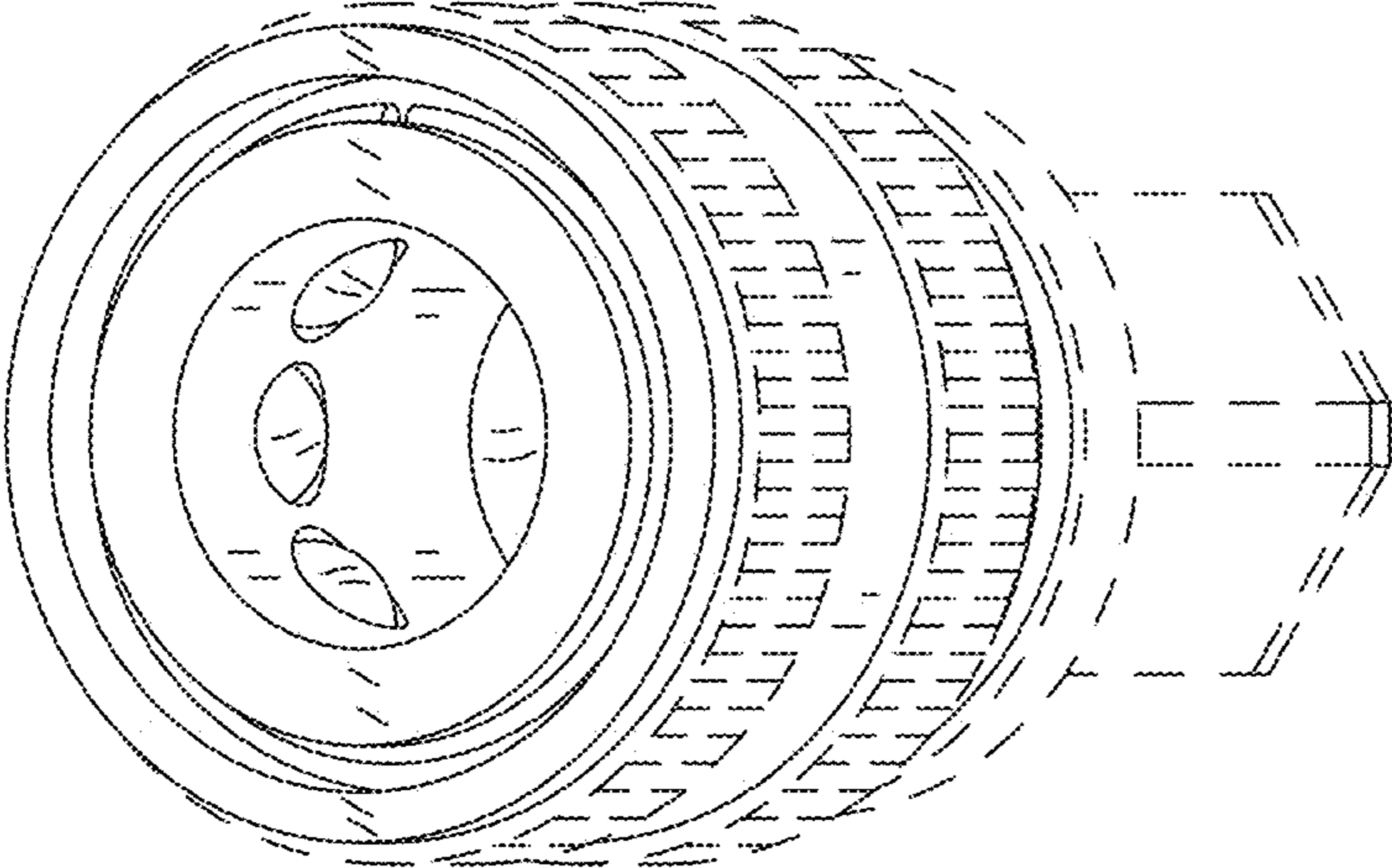


FIG. 17

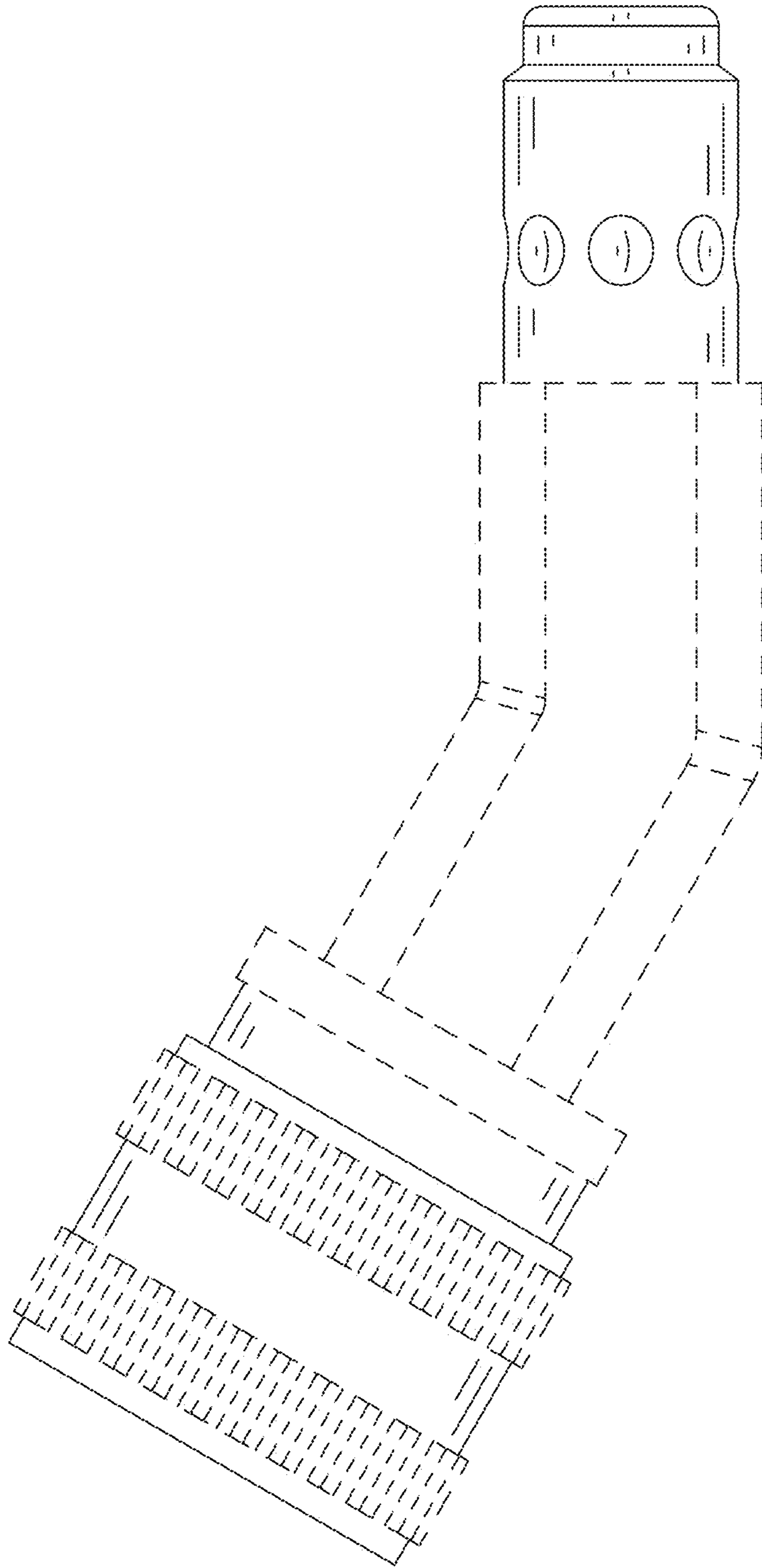


FIG. 18

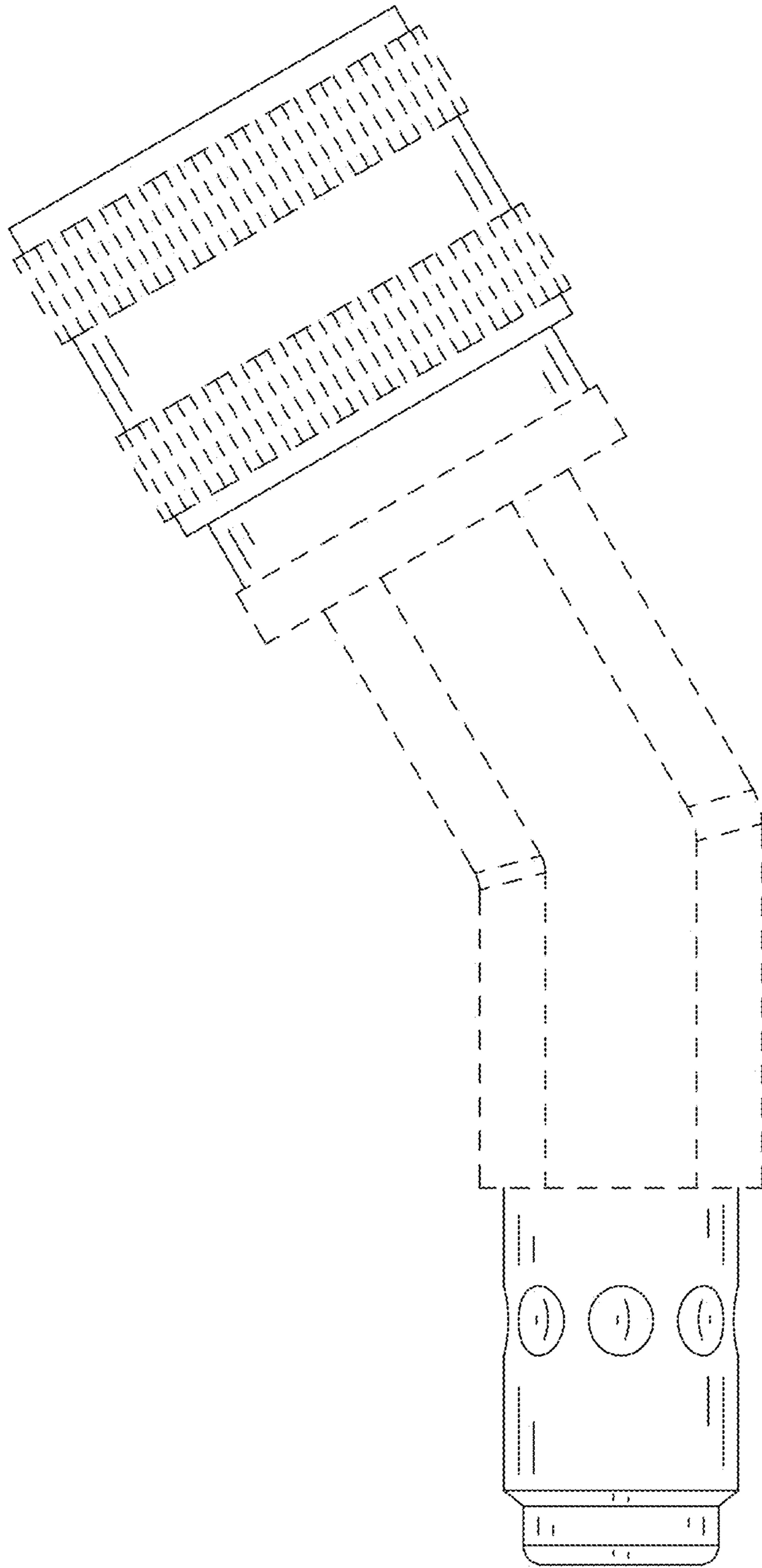


FIG. 19

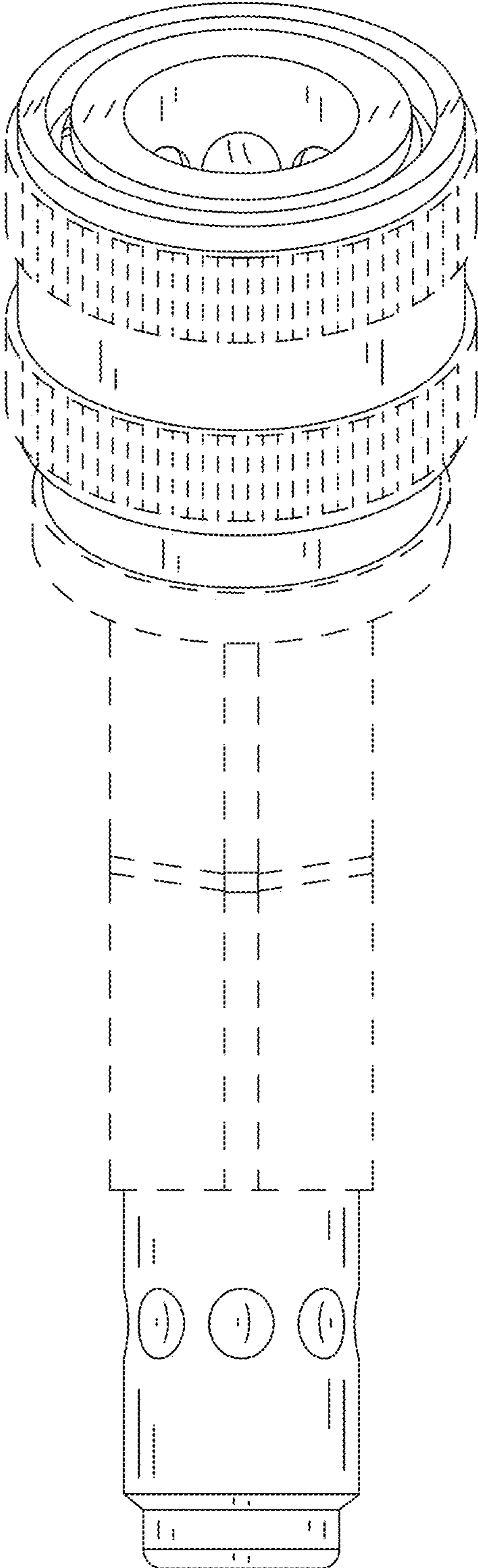


FIG. 20

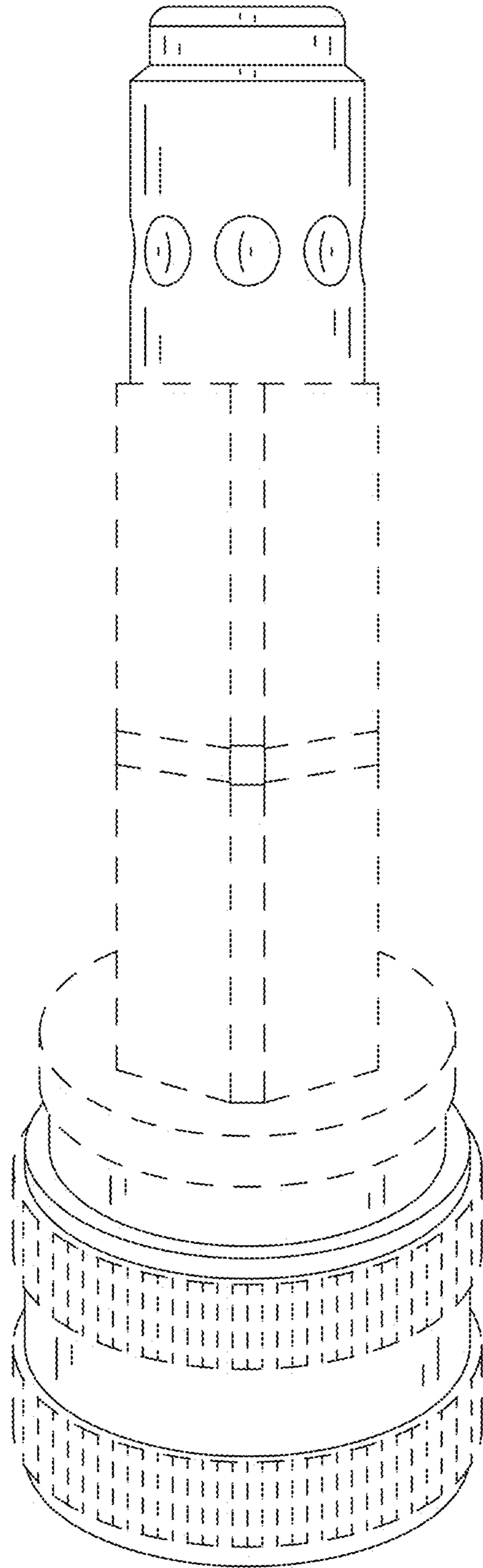


FIG. 21

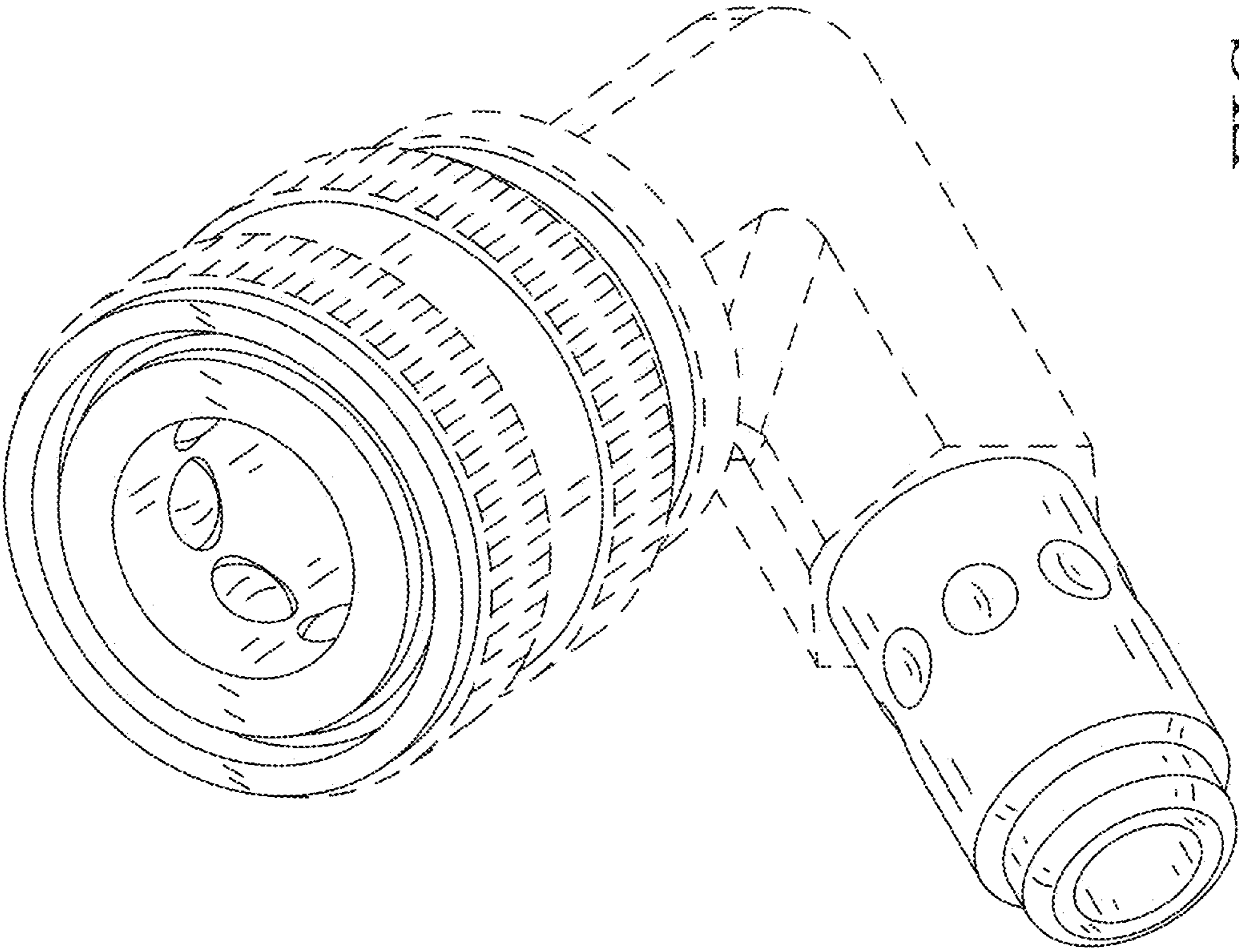


FIG. 22

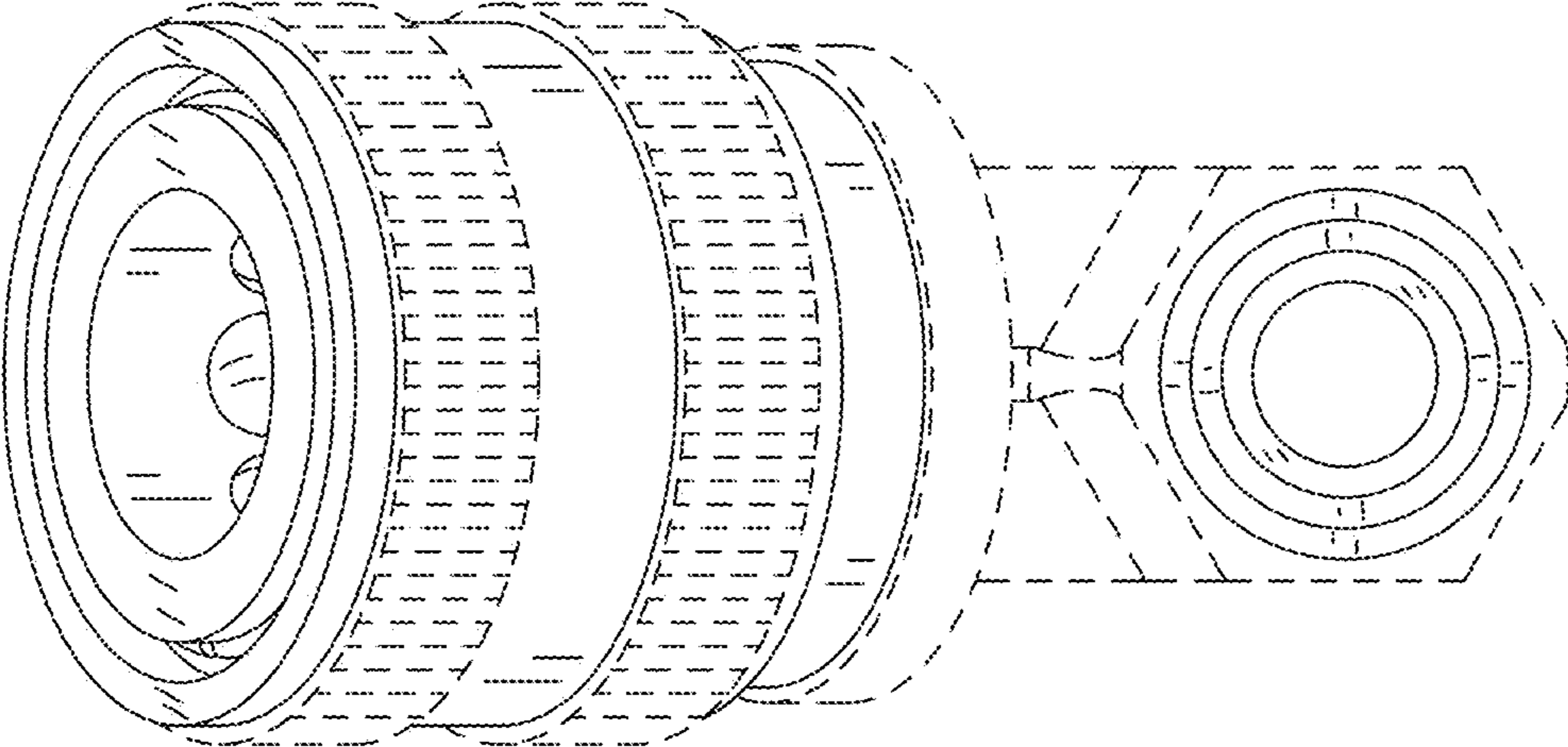


FIG. 23

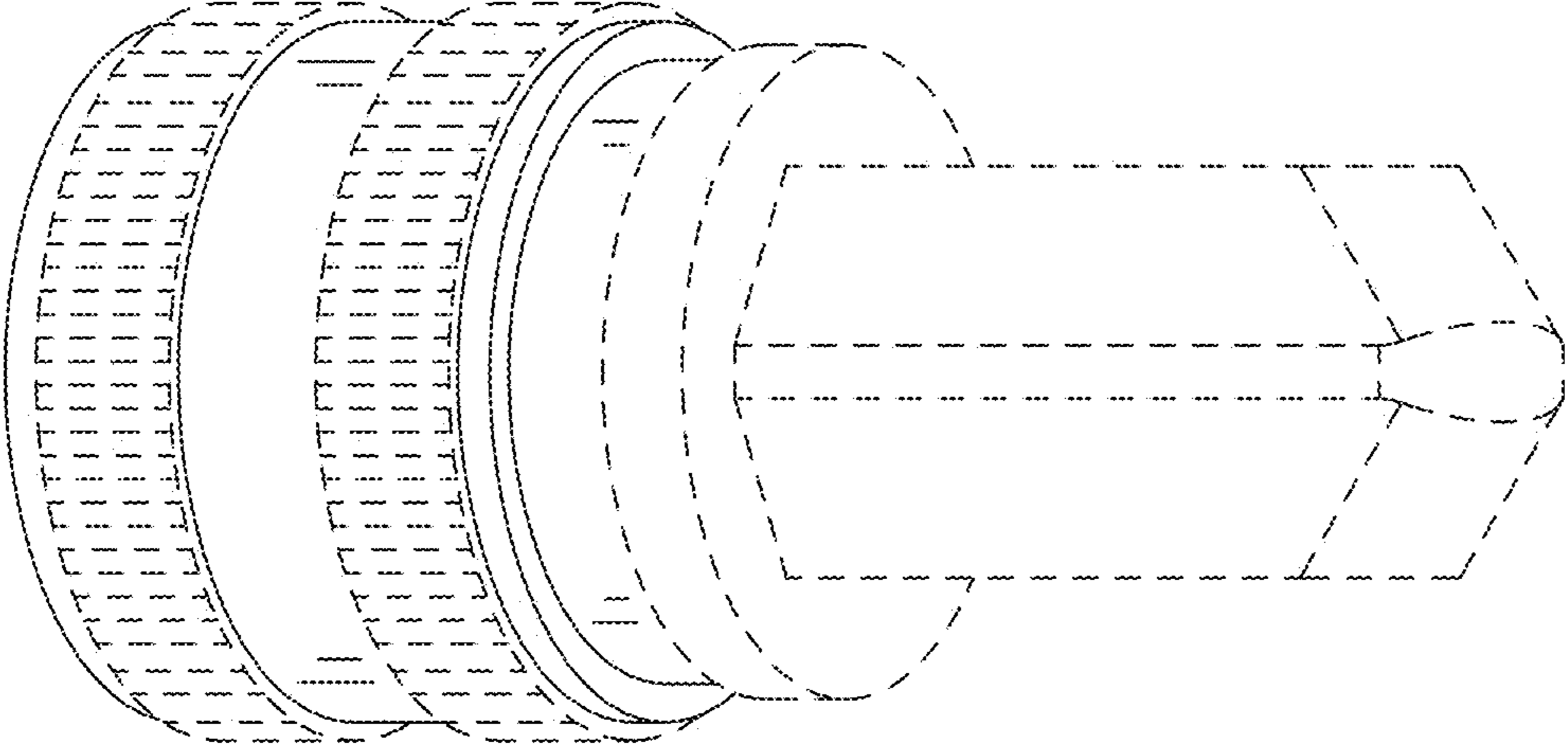


FIG. 24

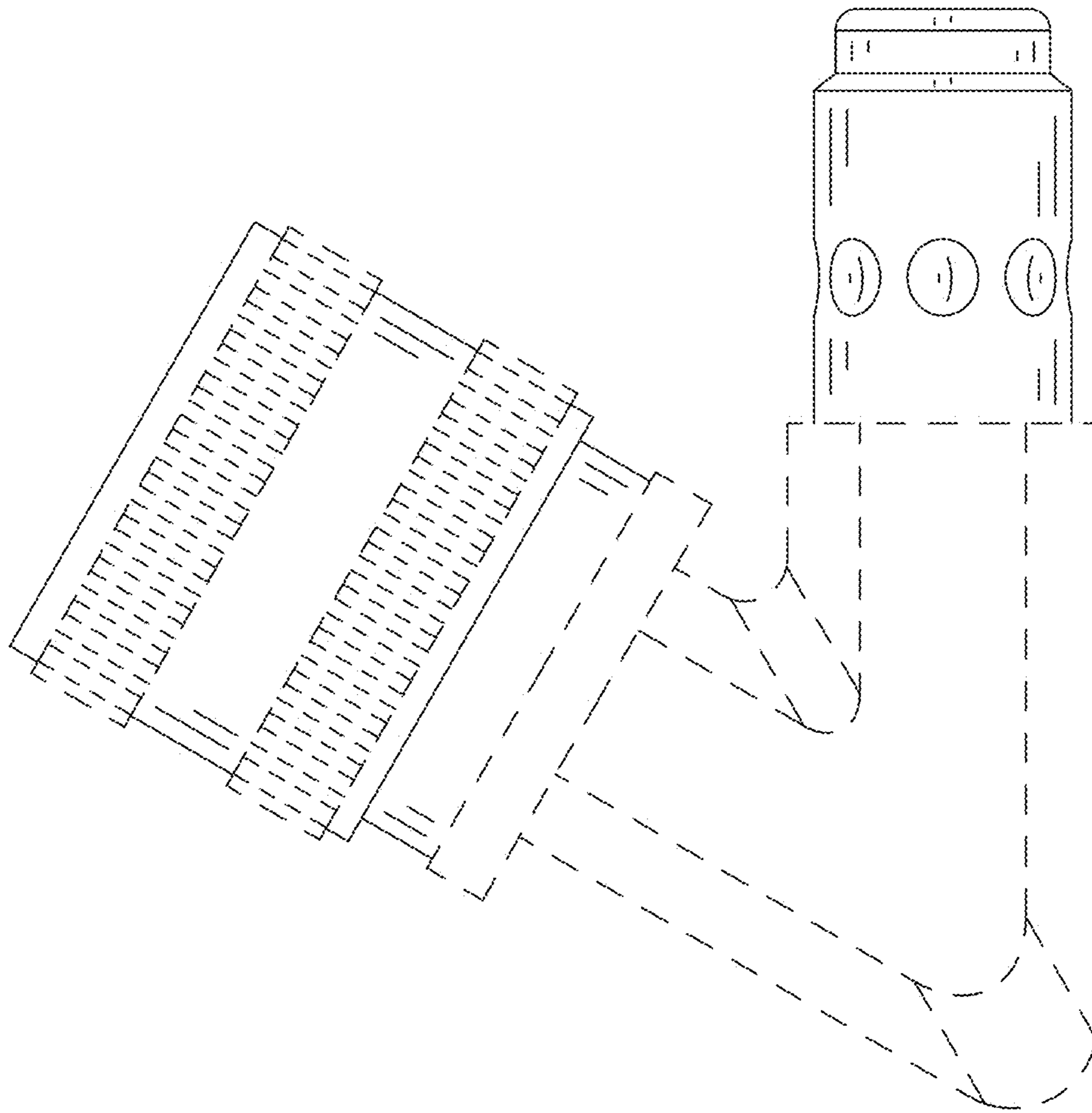


FIG. 25

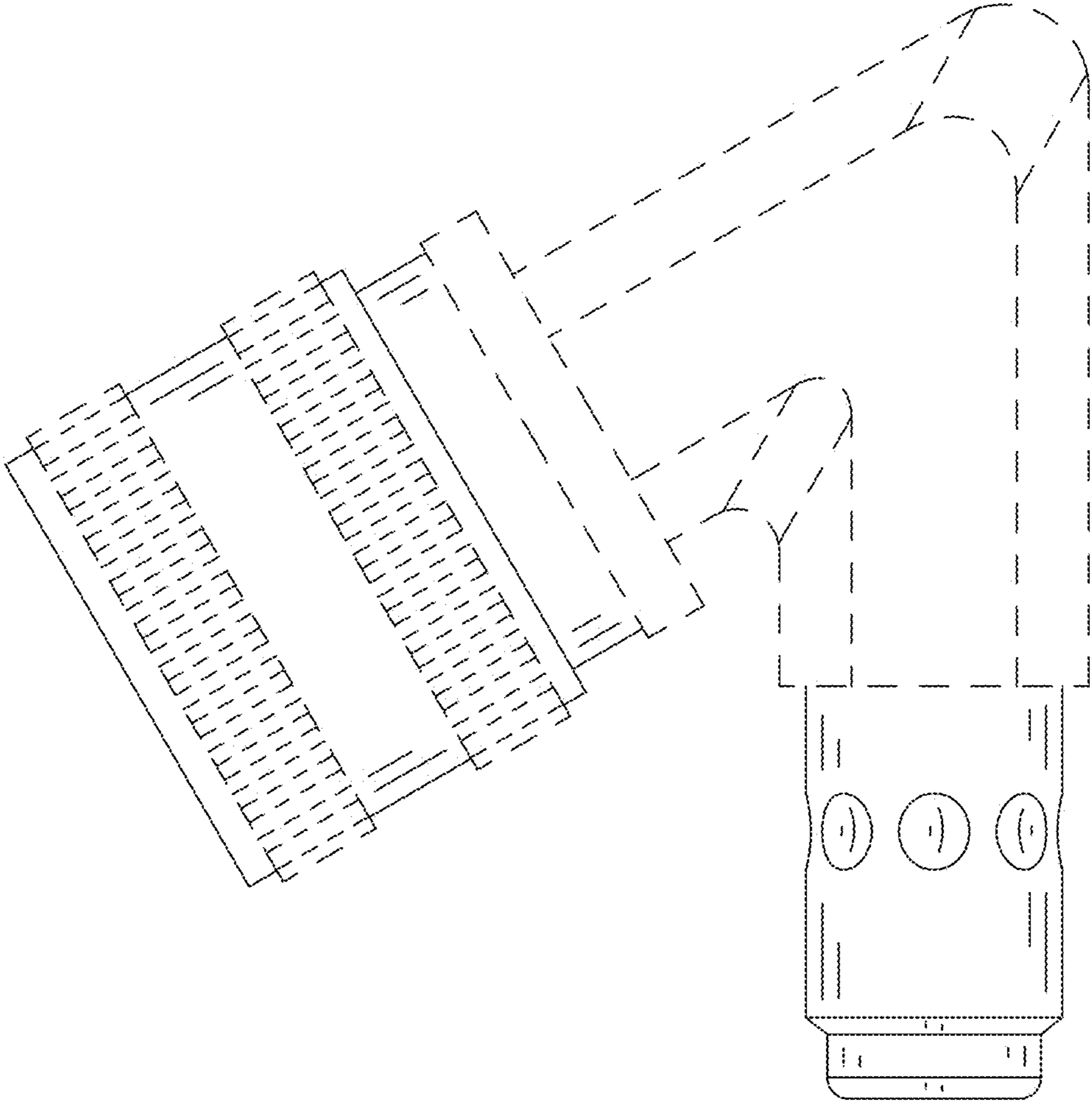


FIG. 26

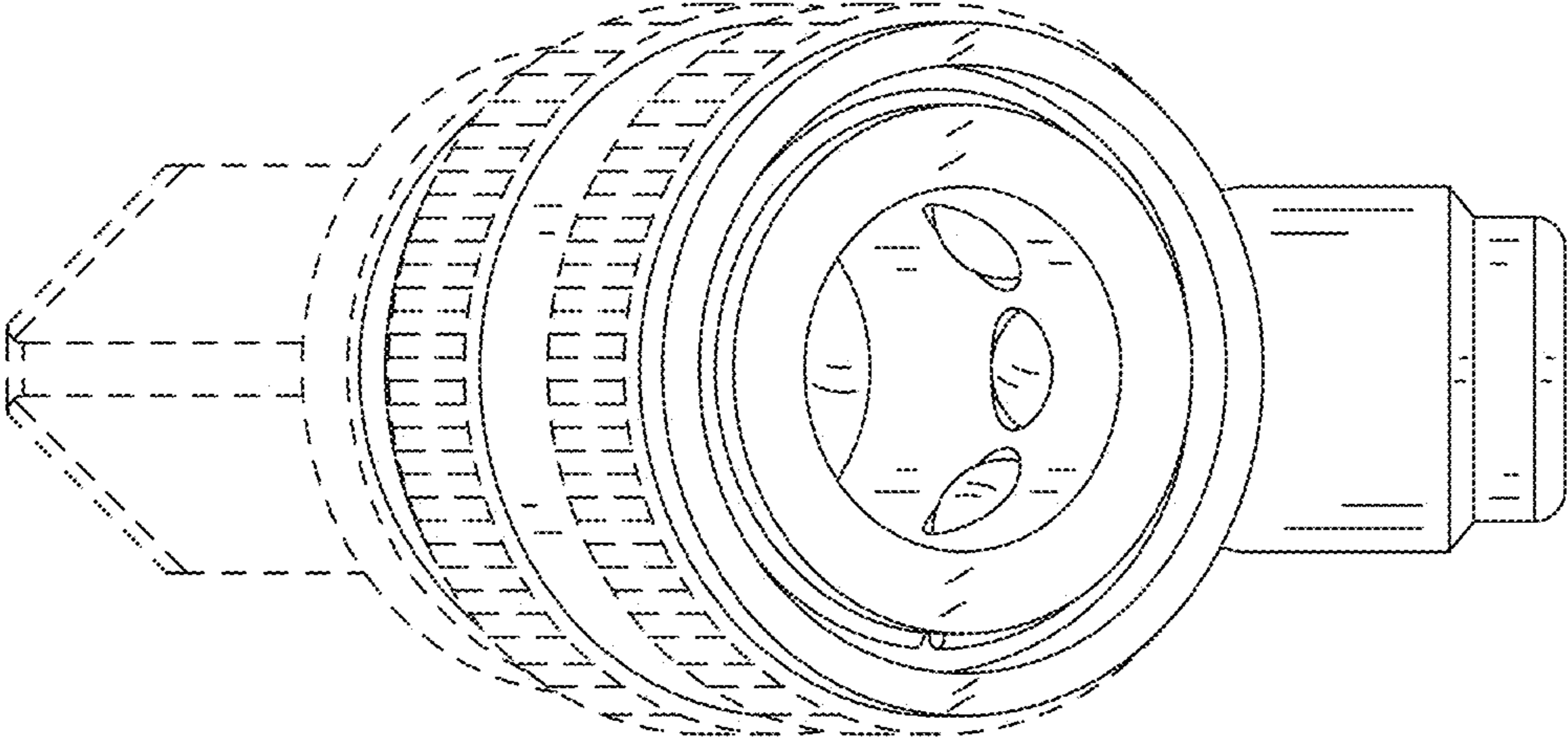


FIG. 27

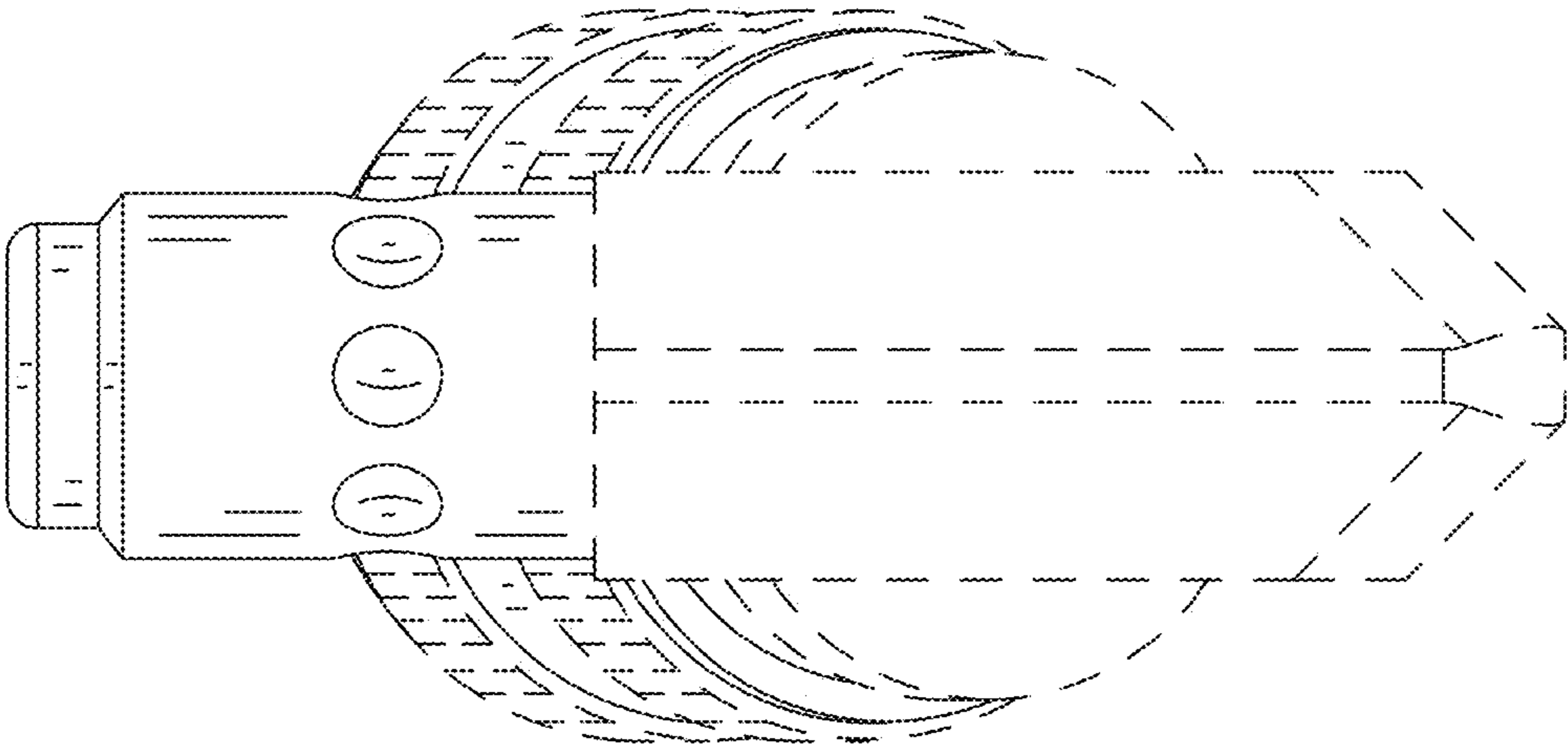


FIG. 28