



US00D955530S

(12) **United States Design Patent**
Wang

(10) **Patent No.:** **US D955,530 S**
(45) **Date of Patent:** **** Jun. 21, 2022**

(54) **TUB FAUCET**

FOREIGN PATENT DOCUMENTS

(71) Applicant: **Fu Yong Wang**, Kaiping (CN)

CN 201130121276 * 5/2011
CN 201130121278 * 5/2011

(72) Inventor: **Fu Yong Wang**, Kaiping (CN)

(**) Term: **15 Years**

(21) Appl. No.: **29/736,426**

(22) Filed: **May 29, 2020**

(51) **LOC (13) Cl.** **23-01**

(52) **U.S. Cl.**
USPC **D23/257**

(58) **Field of Classification Search**

USPC D23/257, 233, 234, 235, 236, 237, 238,
D23/239, 240, 241, 242, 243, 244, 245,
D23/246, 247, 248, 250, 255
CPC E03C 1/01; E03C 1/0409; E03C 1/025;
E03C 1/0408; Y10T 137/5339; Y10T
137/6014; Y10T 137/6021

See application file for complete search history.

(56) **References Cited**

U.S. PATENT DOCUMENTS

| | | | | |
|--------------|---------|-----------|-------|---------|
| D304,853 S * | 11/1989 | Pery | | D23/257 |
| D517,663 S * | 3/2006 | Wolf | | D23/255 |
| D596,717 S * | 7/2009 | Jones | | D23/255 |
| D617,422 S * | 6/2010 | Suzuki | | D23/238 |
| D636,063 S * | 4/2011 | Shieh | | D23/242 |
| D643,515 S * | 8/2011 | Hanna | | D23/255 |
| D645,939 S * | 9/2011 | Huang | | D23/238 |
| D750,206 S * | 2/2016 | Flowers | | D23/257 |
| D785,757 S * | 5/2017 | Murray | | D23/238 |
| D785,758 S * | 5/2017 | Murray | | D23/238 |
| D785,760 S * | 5/2017 | Murray | | D23/238 |
| D791,285 S * | 7/2017 | Schaubach | | D23/257 |

OTHER PUBLICATIONS

Amazon, chicstyleme Waterfall Bathtub mixer tap, posted Aug. 30, 2019, [online], [visited Nov. 12, 2021]. Internet, <URL: <https://www.amazon.co.uk/dp/B07X876G97/ref>> (Year: 2019).*

Amazon, VanMe Home Basin Faucet Roman Waterfall Tap, posted Apr. 15, 2017, [online], [visited Nov. 12, 2021]. Internet, <URL: <https://www.amazon.co.uk/VanMe-Faucet-Luxury-Waterfall-Bathroom/dp/B071XQZKCJ/ref>> (Year: 2017).*

* cited by examiner

Primary Examiner — Samantha Wood

(74) *Attorney, Agent, or Firm* — Alexander Chen, Esq.

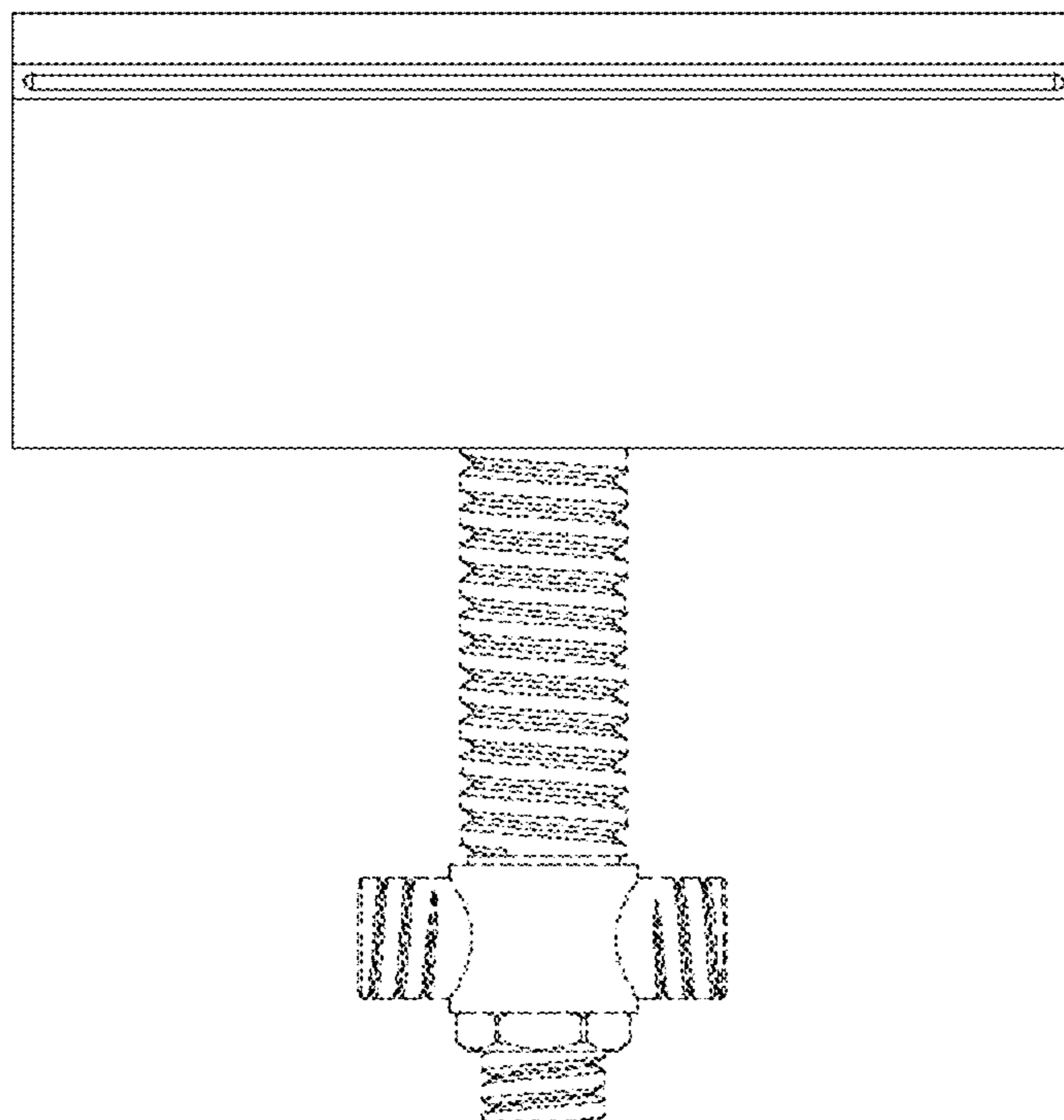
(57) **CLAIM**

The ornamental design for a tub faucet, as shown and described.

DESCRIPTION

FIG. 1 is a front view of a tub faucet;
FIG. 2 is a top view thereof;
FIG. 3 is a bottom view thereof;
FIG. 4 is a left view thereof;
FIG. 5 is a right view thereof; and,
FIG. 6 is a perspective view thereof.
The broken lines are included to show environmental structure and form no part of the claimed design.

1 Claim, 6 Drawing Sheets



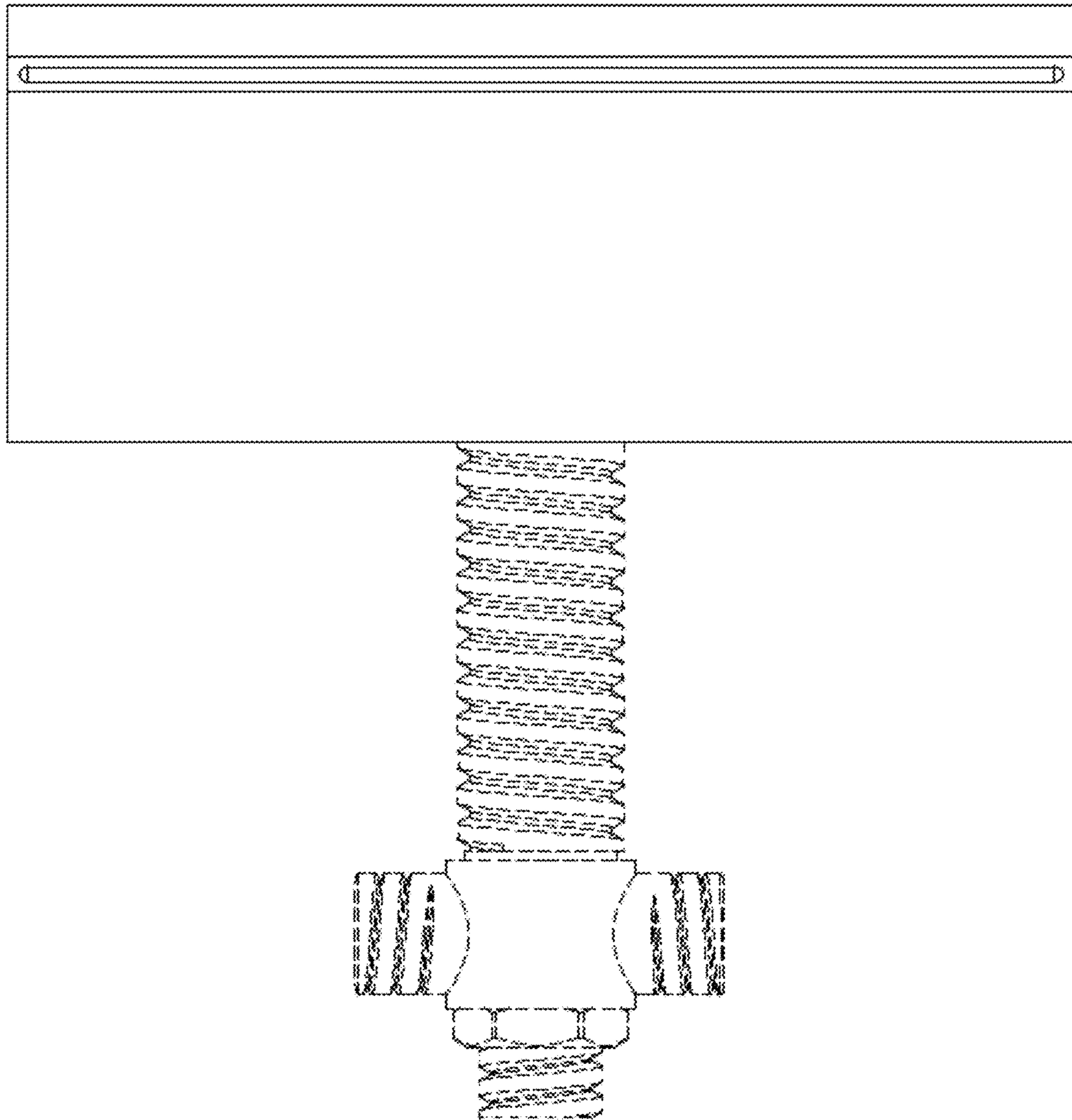


FIG 1

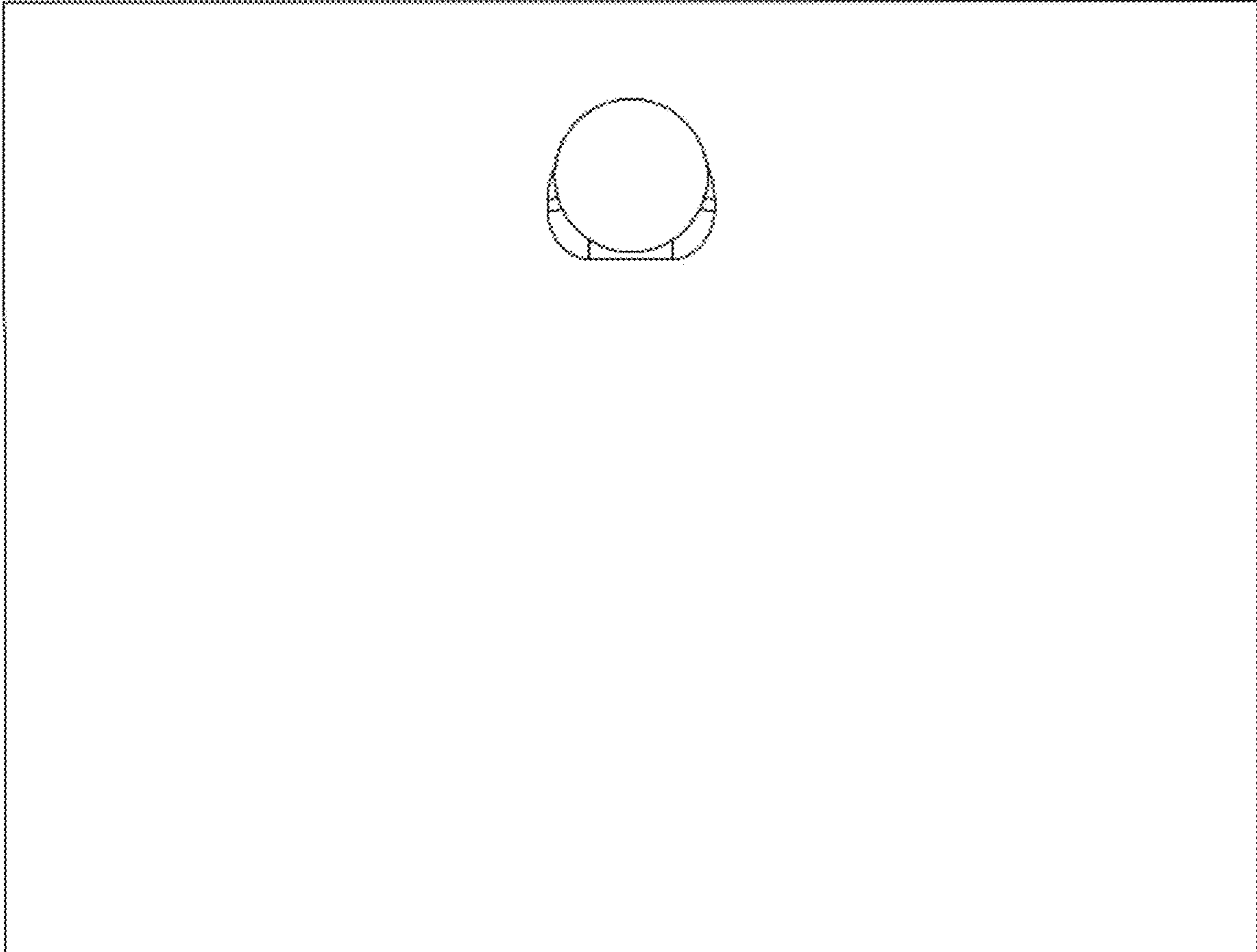


FIG 2

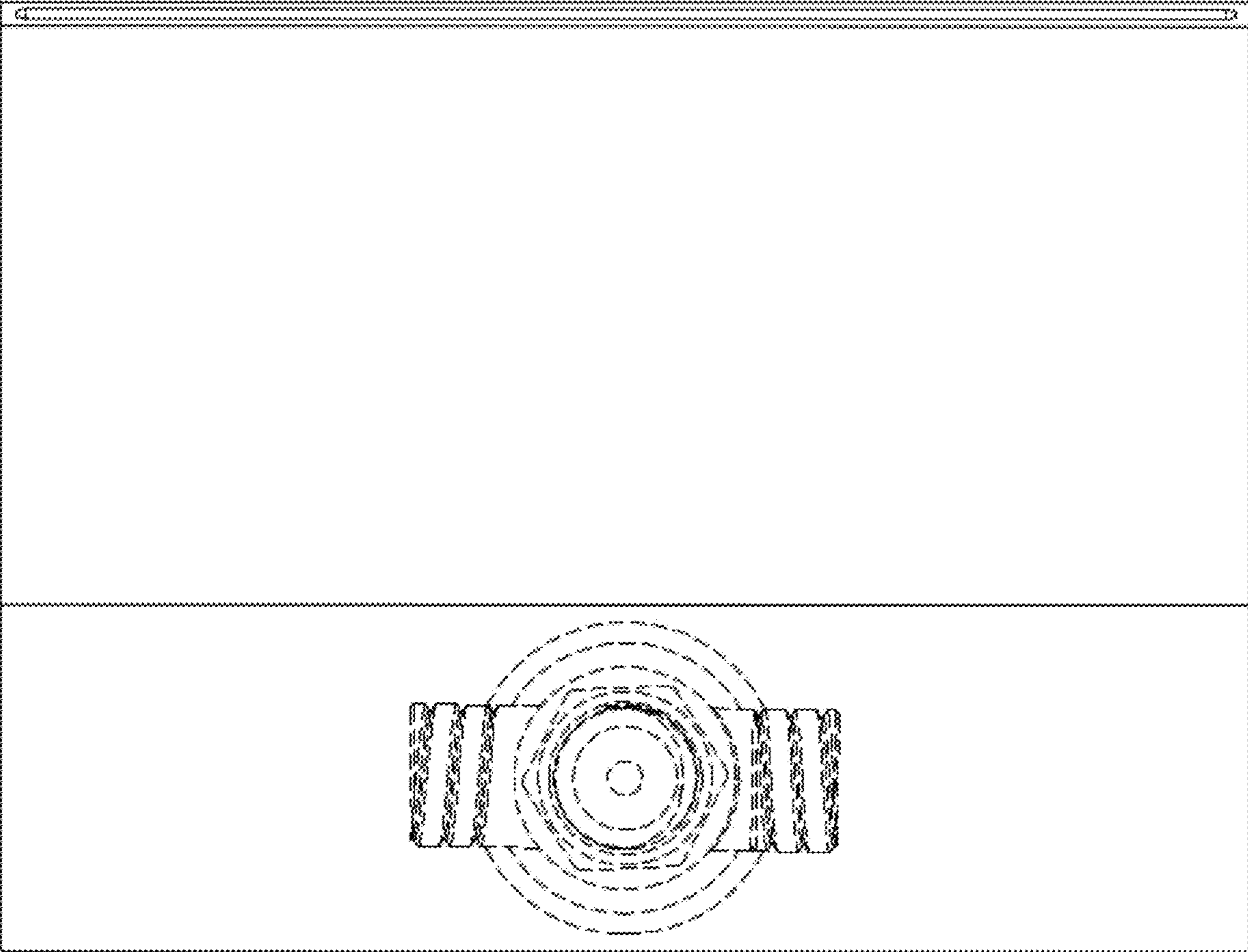


FIG 3

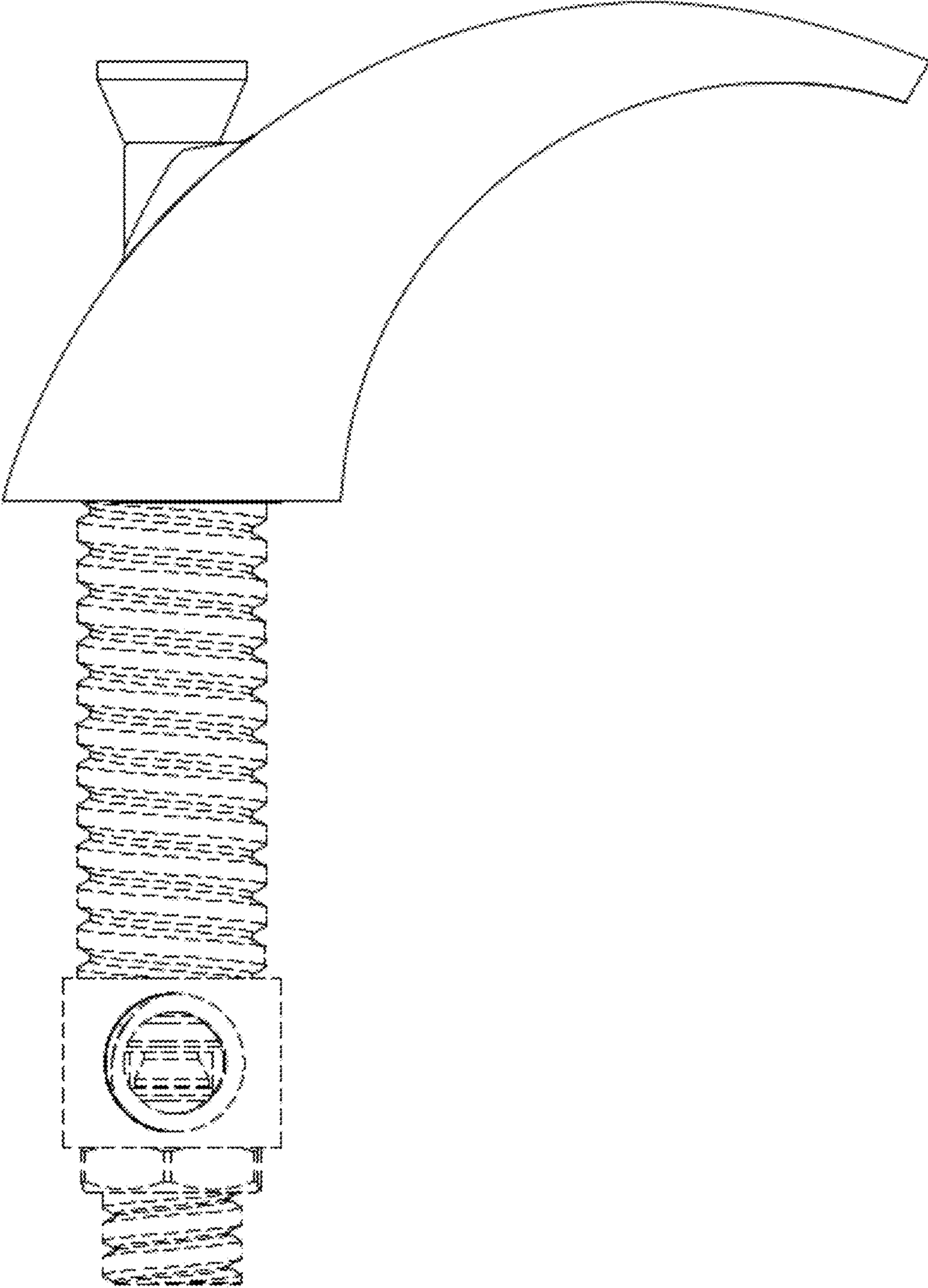


FIG 4

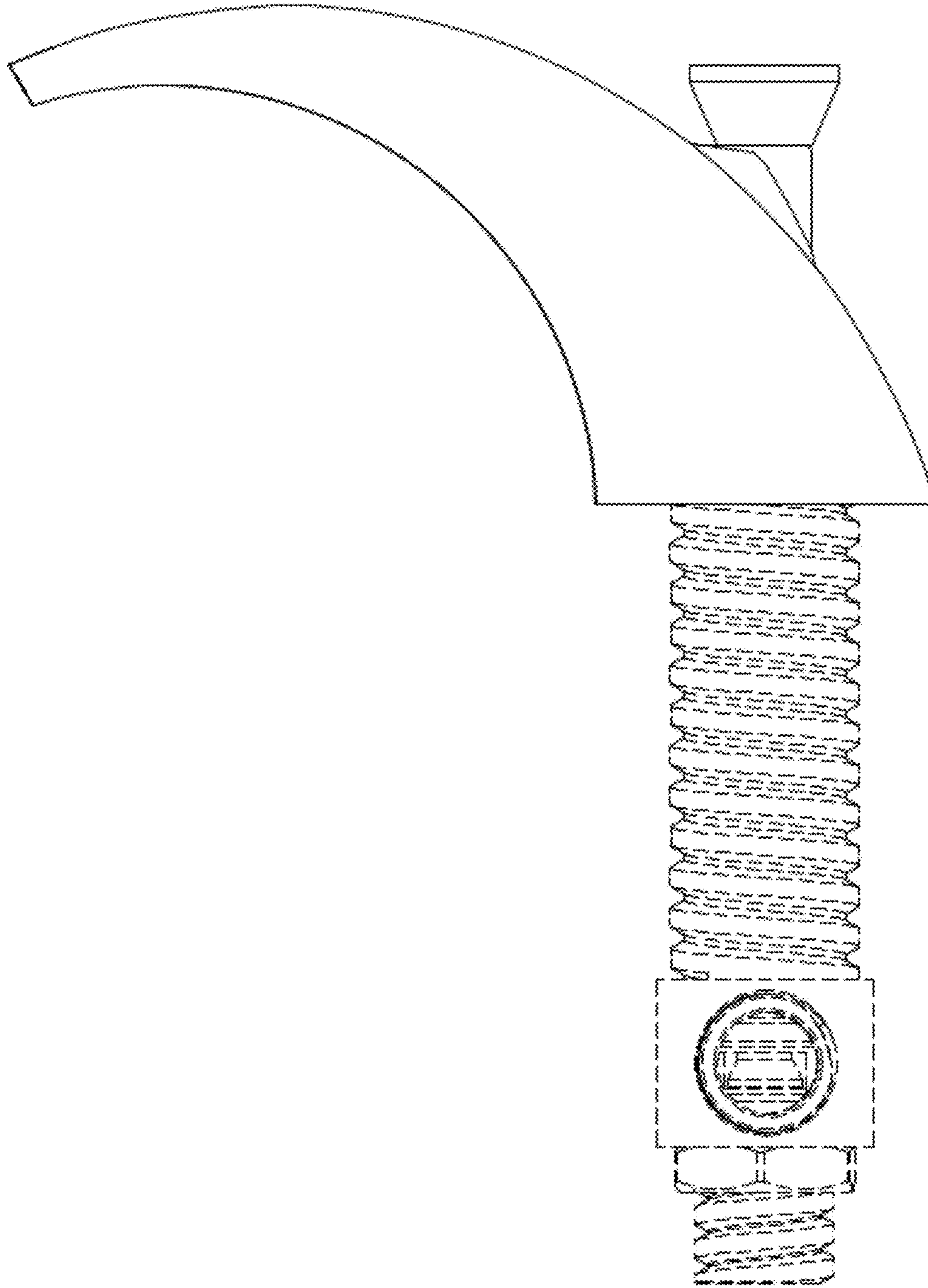


FIG 5

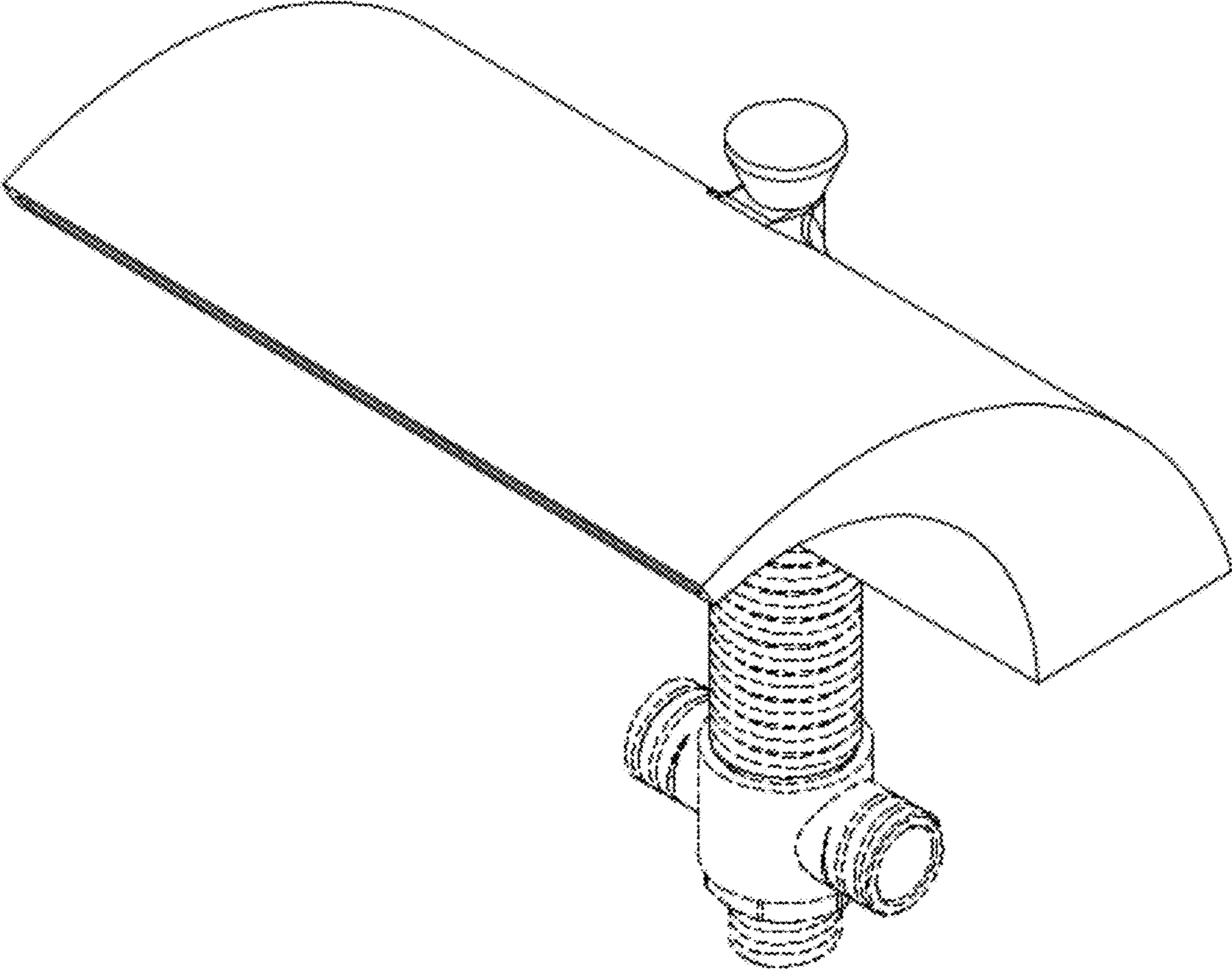


FIG 6