



US00D955529S

(12) **United States Design Patent**  
**Kuang**

(10) **Patent No.:** **US D955,529 S**

(45) **Date of Patent:** **\*\* Jun. 21, 2022**

(54) **FAUCET**

(71) Applicant: **ShuangPing Kuang**, Jiangmen (CN)

(72) Inventor: **ShuangPing Kuang**, Jiangmen (CN)

(\*\*) Term: **15 Years**

(21) Appl. No.: **29/744,386**

(22) Filed: **Jul. 29, 2020**

(51) **LOC (13) Cl.** ..... **23-01**

(52) **U.S. Cl.**  
USPC ..... **D23/241**

(58) **Field of Classification Search**  
USPC ..... D23/238–243, 249–250, 252, 254–255,  
D23/257, 226; D8/307–308  
See application file for complete search history.

(56) **References Cited**

U.S. PATENT DOCUMENTS

D873,965 S *	1/2020	Lazarini	.....	D23/241
D908,842 S *	1/2021	Johnson	.....	D23/226
D914,848 S *	3/2021	Eads	.....	D23/242
D921,844 S *	6/2021	Hui	.....	D23/242

D922,526 S *	6/2021	Johnson	.....	D23/226
D928,920 S *	8/2021	Tu	.....	D23/242
D947,322 S *	3/2022	Spangler	.....	D23/226

\* cited by examiner

*Primary Examiner* — Robert A Delehanty

(57) **CLAIM**

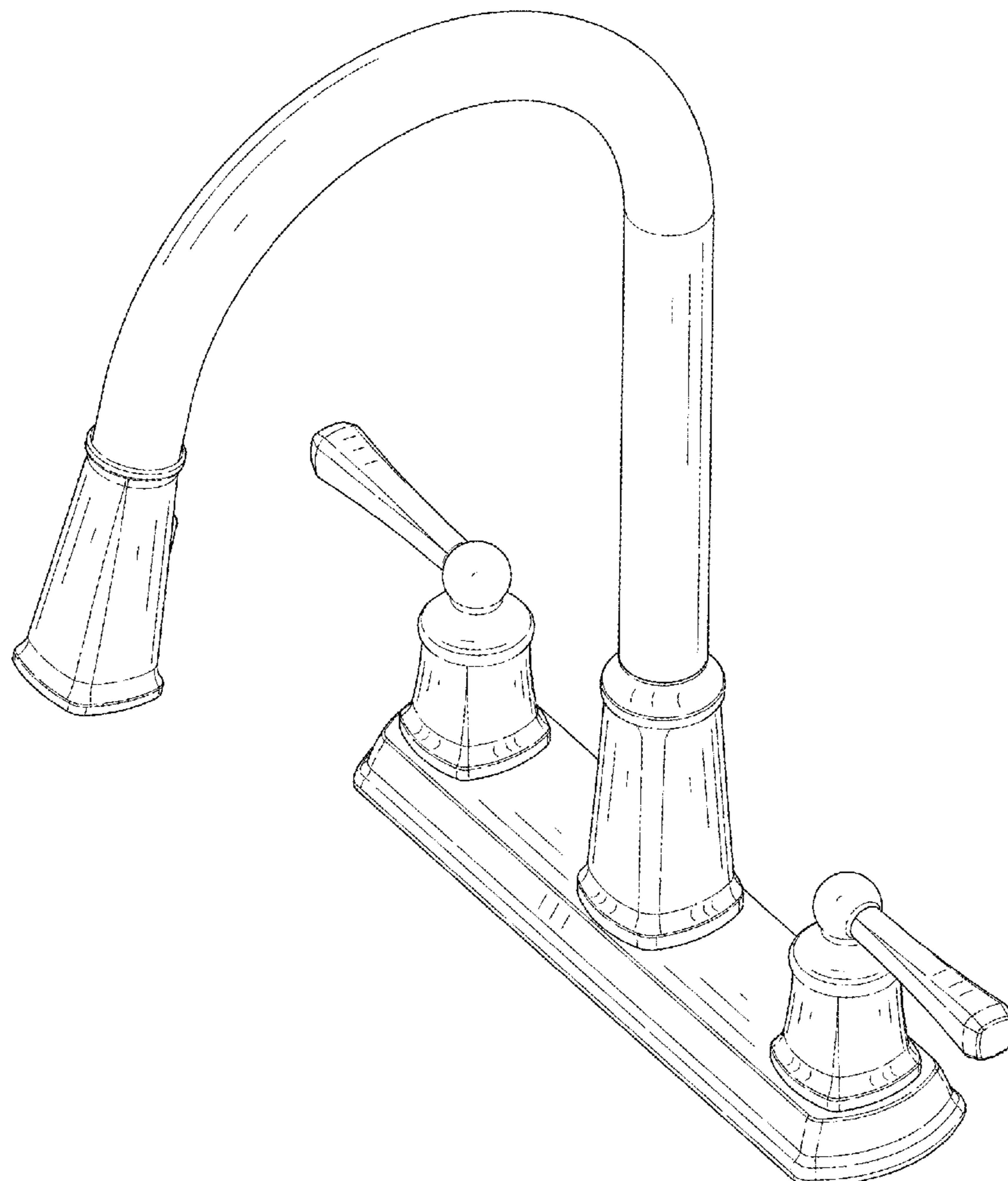
The ornamental design for a faucet, as shown and described.

**DESCRIPTION**

FIG. 1 is a first perspective view of a faucet showing my new design;  
FIG. 2 is a second perspective view thereof;  
FIG. 3 is a front view thereof;  
FIG. 4 is a back view thereof;  
FIG. 5 is a left side view thereof;  
FIG. 6 is a right side view thereof;  
FIG. 7 is a top view thereof; and,  
FIG. 8 is a bottom view thereof.

The broken lines shown in the drawings depict portions of the faucet in which the design is embodied that form no part of the claimed design.

**1 Claim, 8 Drawing Sheets**



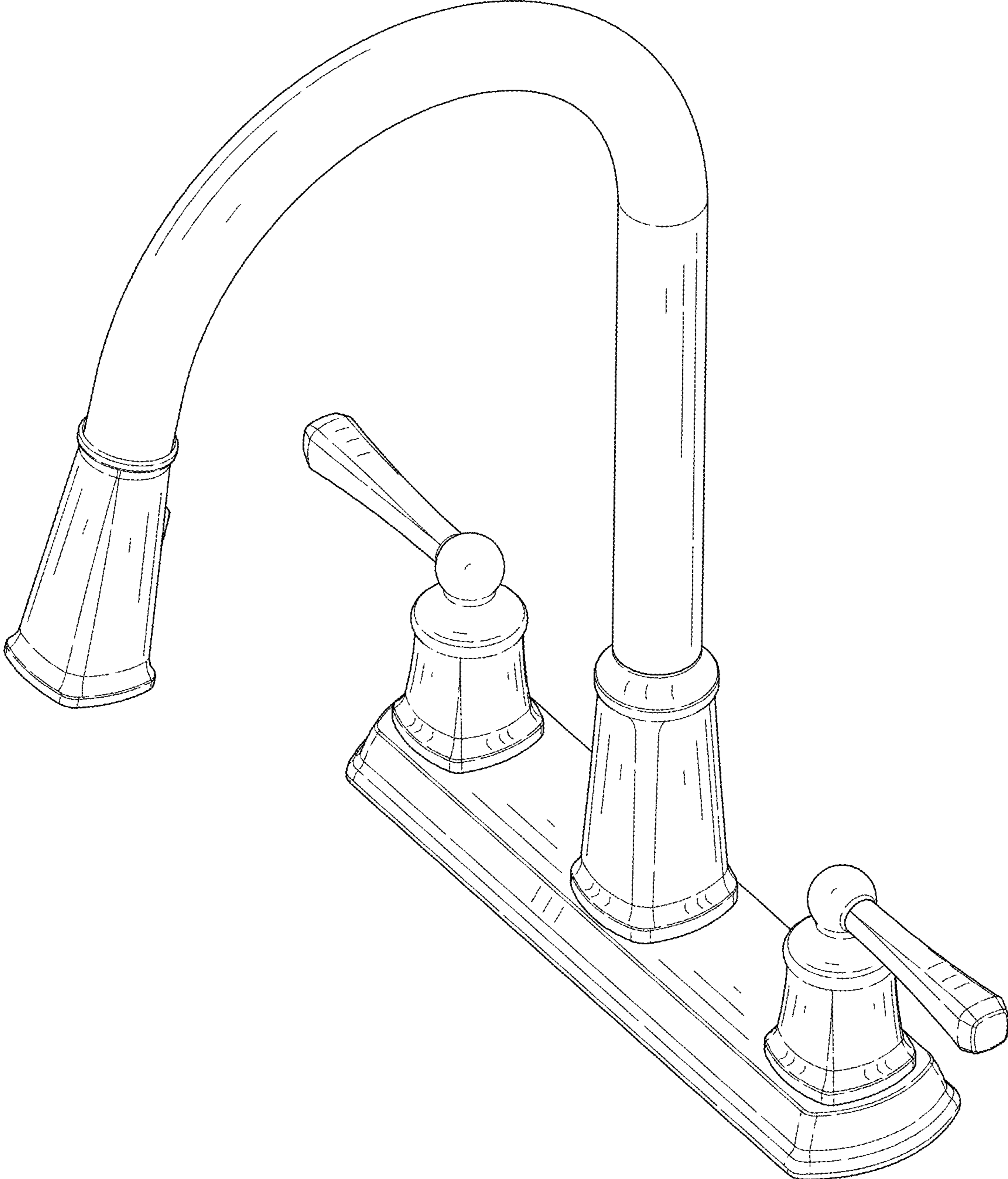


FIG. 1

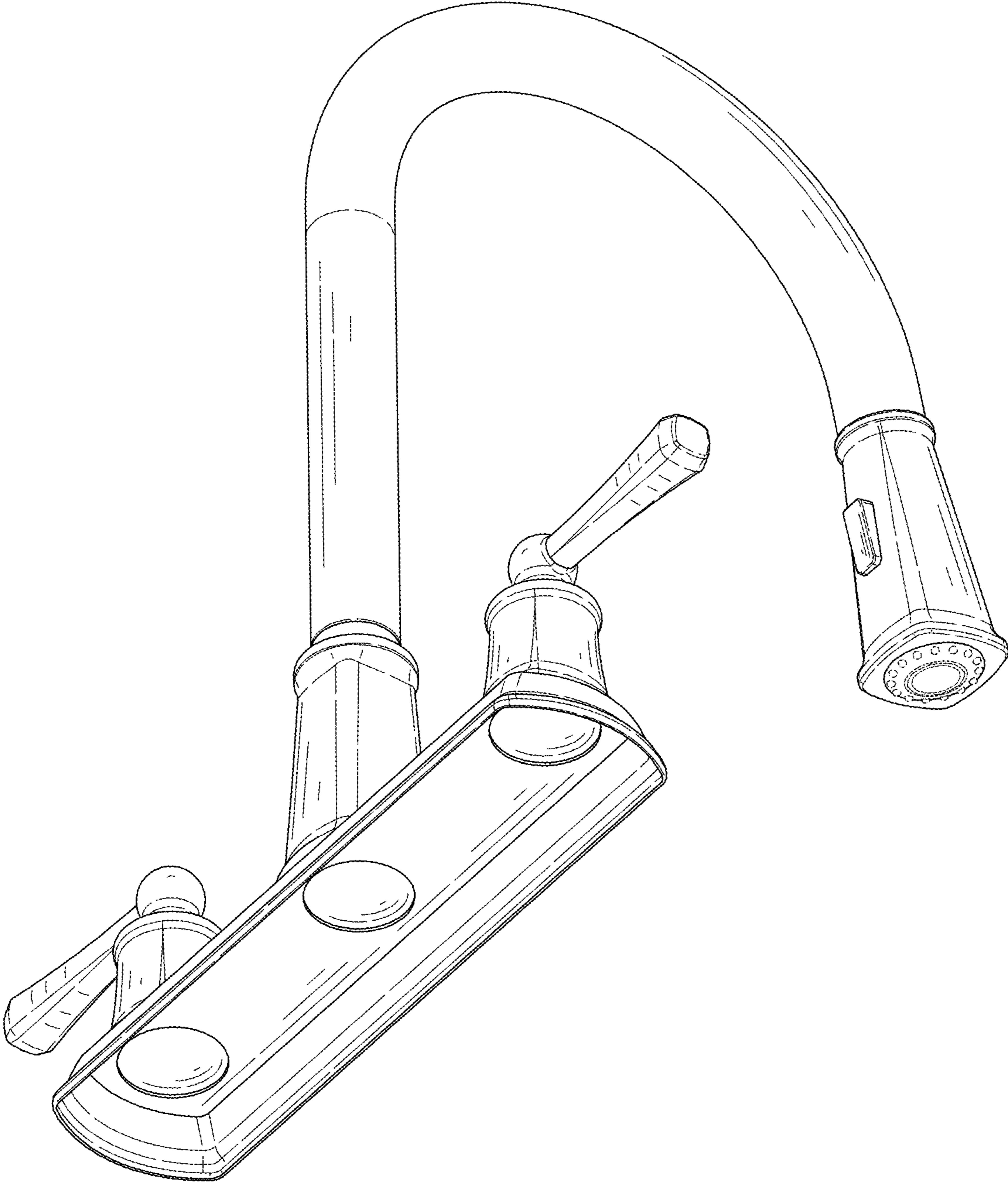


FIG. 2

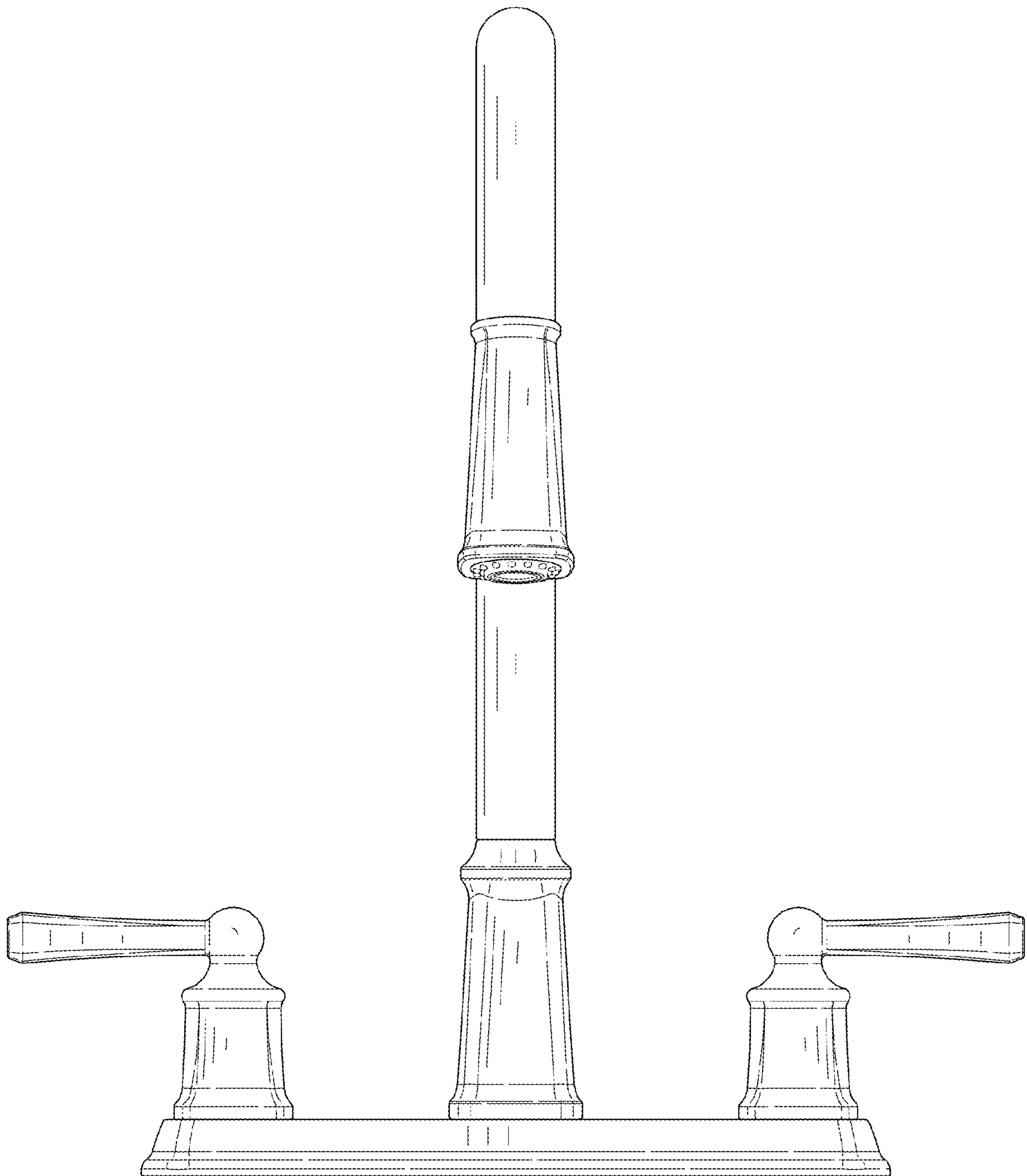


FIG. 3

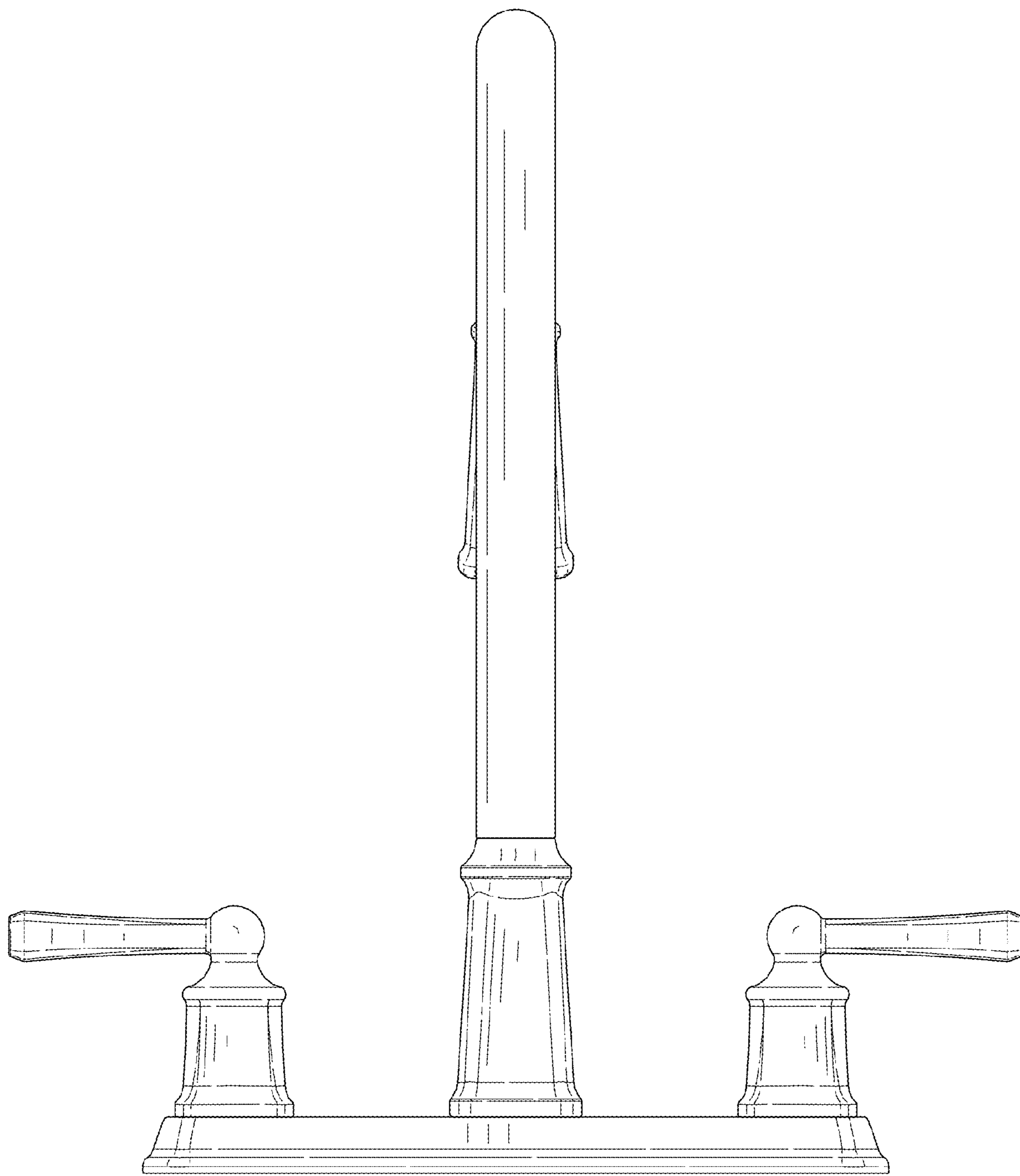


FIG. 4

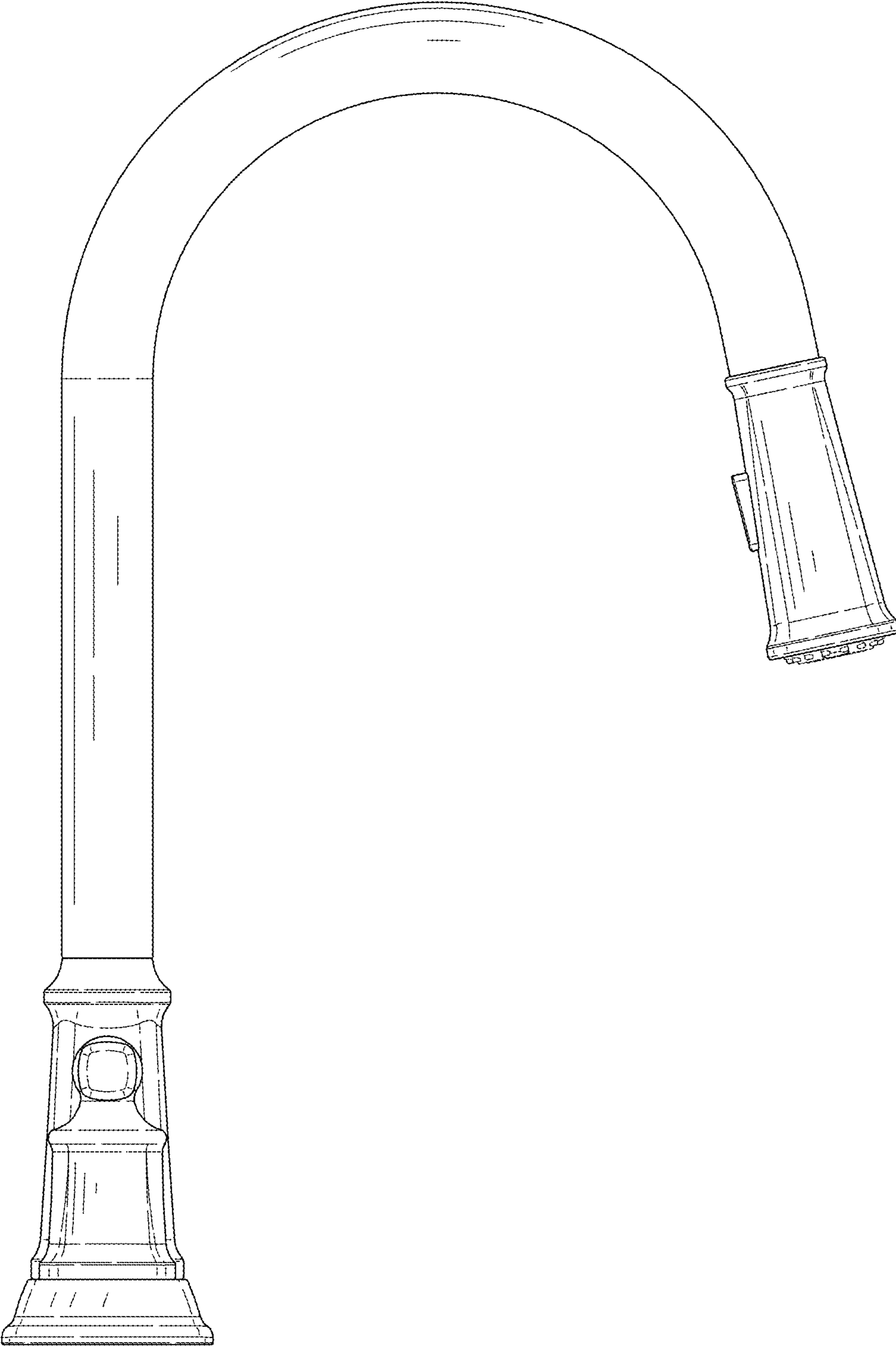


FIG. 5

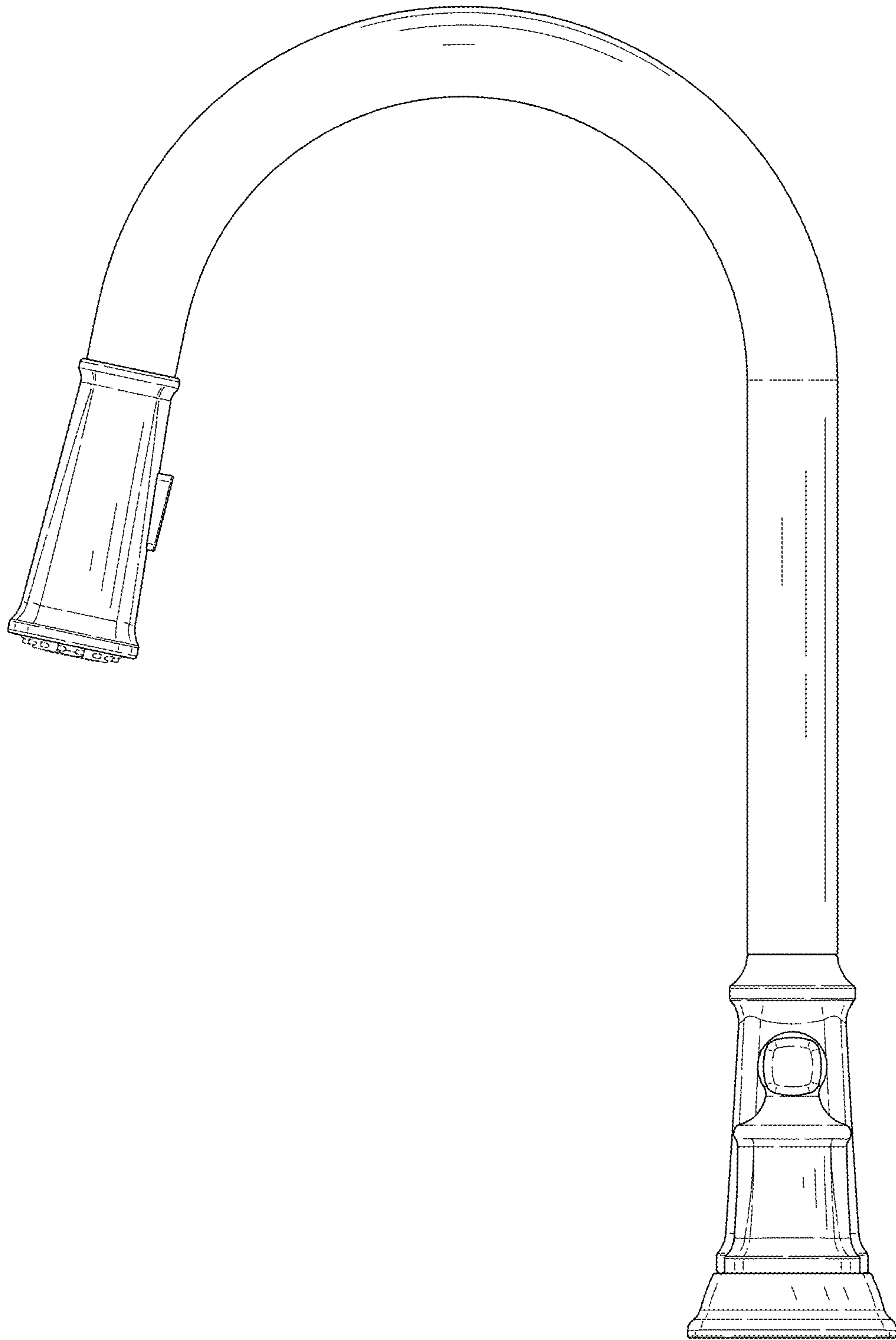


FIG. 6

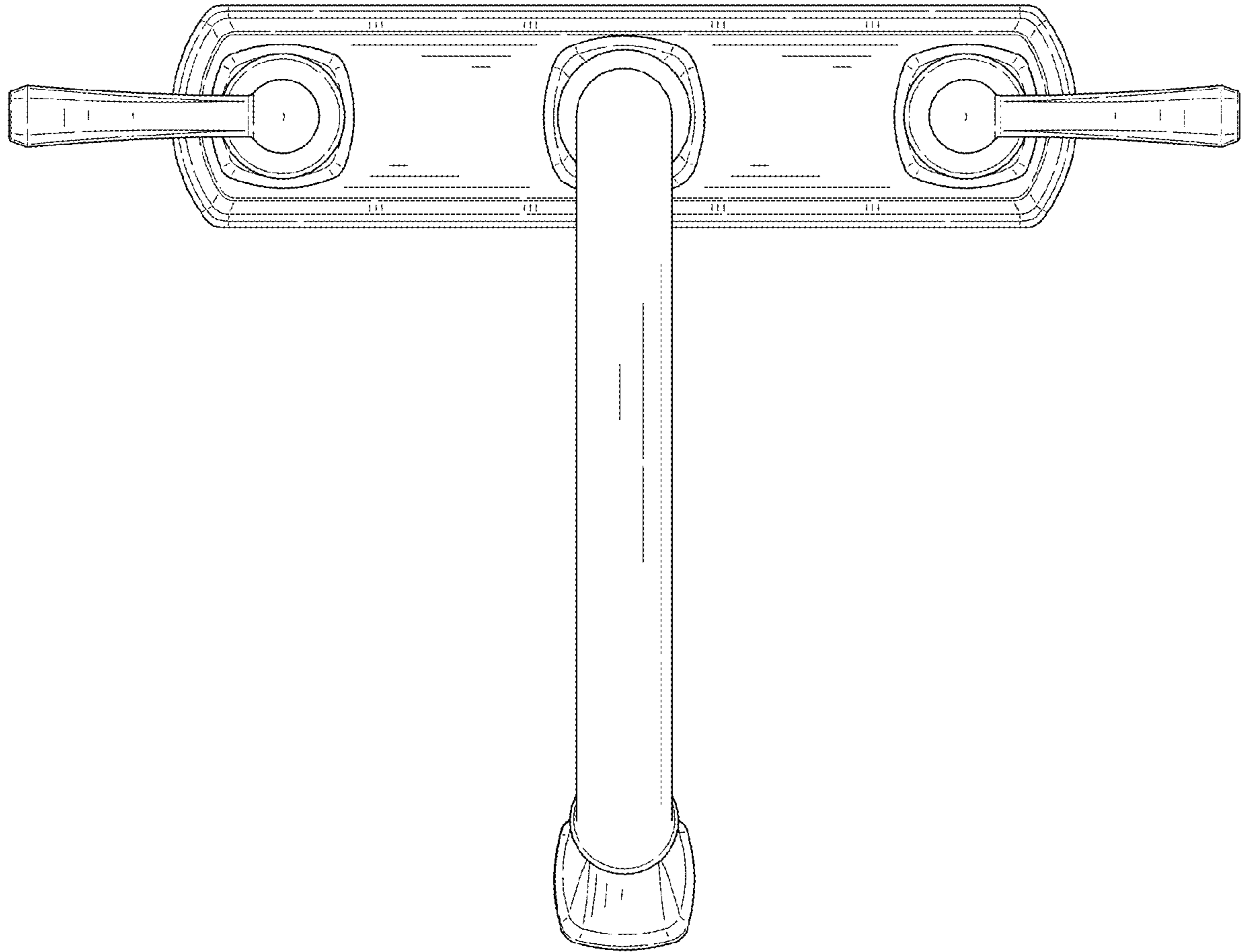


FIG. 7



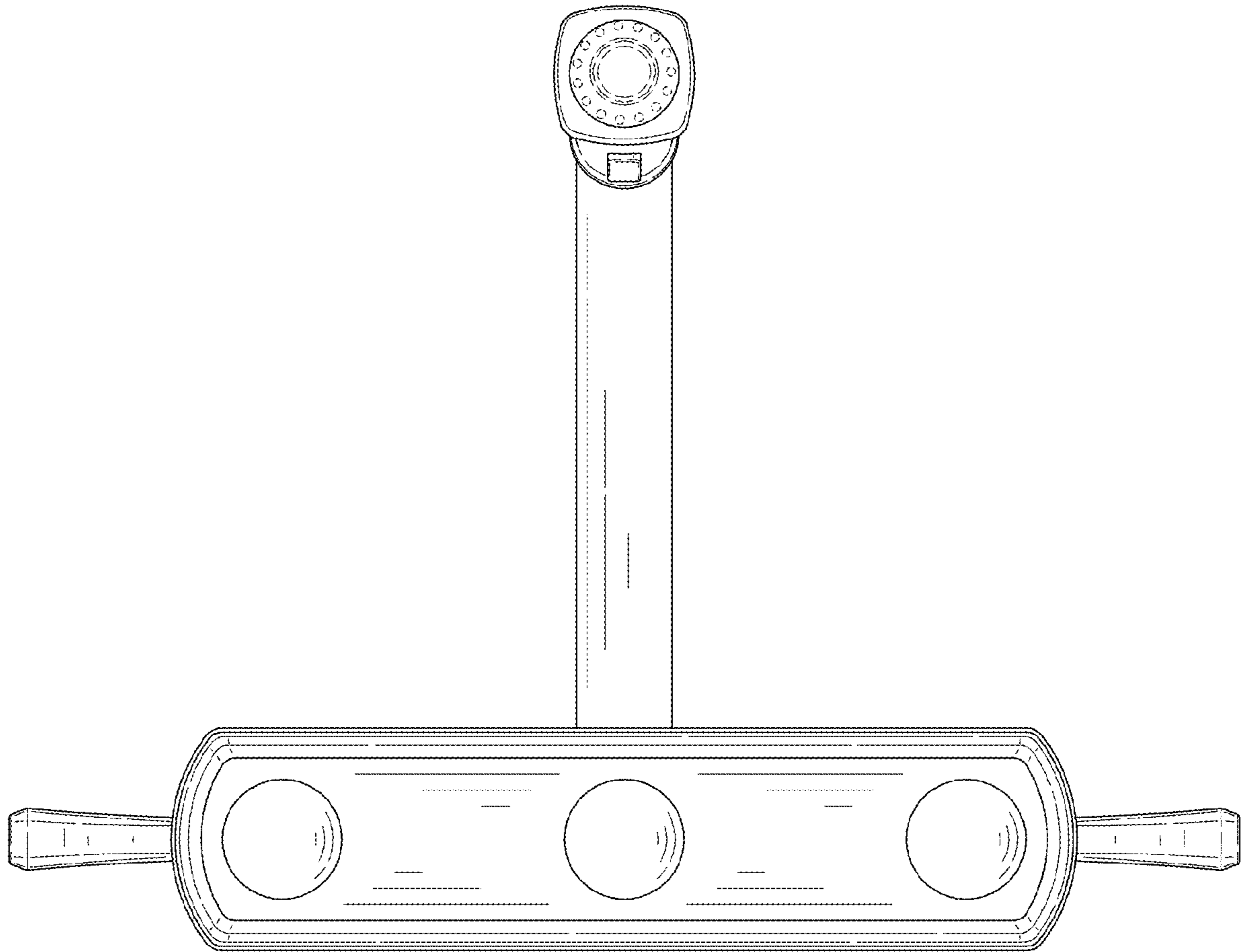


FIG. 8