



US00D955528S

(12) **United States Design Patent**
Li

(10) **Patent No.:** **US D955,528 S**

(45) **Date of Patent:** **** Jun. 21, 2022**

(54) **WALL MOUNTED SHOWER MIXER BODY**

(71) Applicant: **Luhua Li**, Guangdong (CN)

(72) Inventor: **Luhua Li**, Guangdong (CN)

(73) Assignee: **Shenzhen Yougao Kitchen Industry Co., Ltd.**, Shenzhen (CN)

(**) Term: **15 Years**

(21) Appl. No.: **29/799,524**

(22) Filed: **Jul. 15, 2021**

(51) **LOC (13) Cl.** **23-01**

(52) **U.S. Cl.**
USPC **D23/233**

(58) **Field of Classification Search**
USPC D23/233, 241, 249, 250, 257; 137/597
CPC .. F16K 19/00; F16K 27/0263; F16K 11/0716;
F16K 11/0445

See application file for complete search history.

(56) **References Cited**

U.S. PATENT DOCUMENTS

D579,082 S	10/2008	Yuan
D581,498 S	11/2008	Dolan
D654,570 S	2/2012	Yu
D712,521 S	9/2014	Smith et al.

D714,913 S	10/2014	Smith et al.	
9,334,971 B2 *	5/2016	Brouwer	F16K 19/006
D791,282 S	7/2017	Bahler	
D811,556 S	2/2018	Garland	
D876,585 S *	2/2020	Li	D23/233
D877,861 S	3/2020	Garland	
D908,191 S *	1/2021	Li	D23/233
D917,668 S *	4/2021	Xie	D23/233
D919,048 S *	5/2021	Li	D23/233
D919,049 S *	5/2021	Li	D23/233
11,060,628 B2 *	7/2021	Pfund	F16K 19/006

* cited by examiner

Primary Examiner — Gino Colan

(57) **CLAIM**

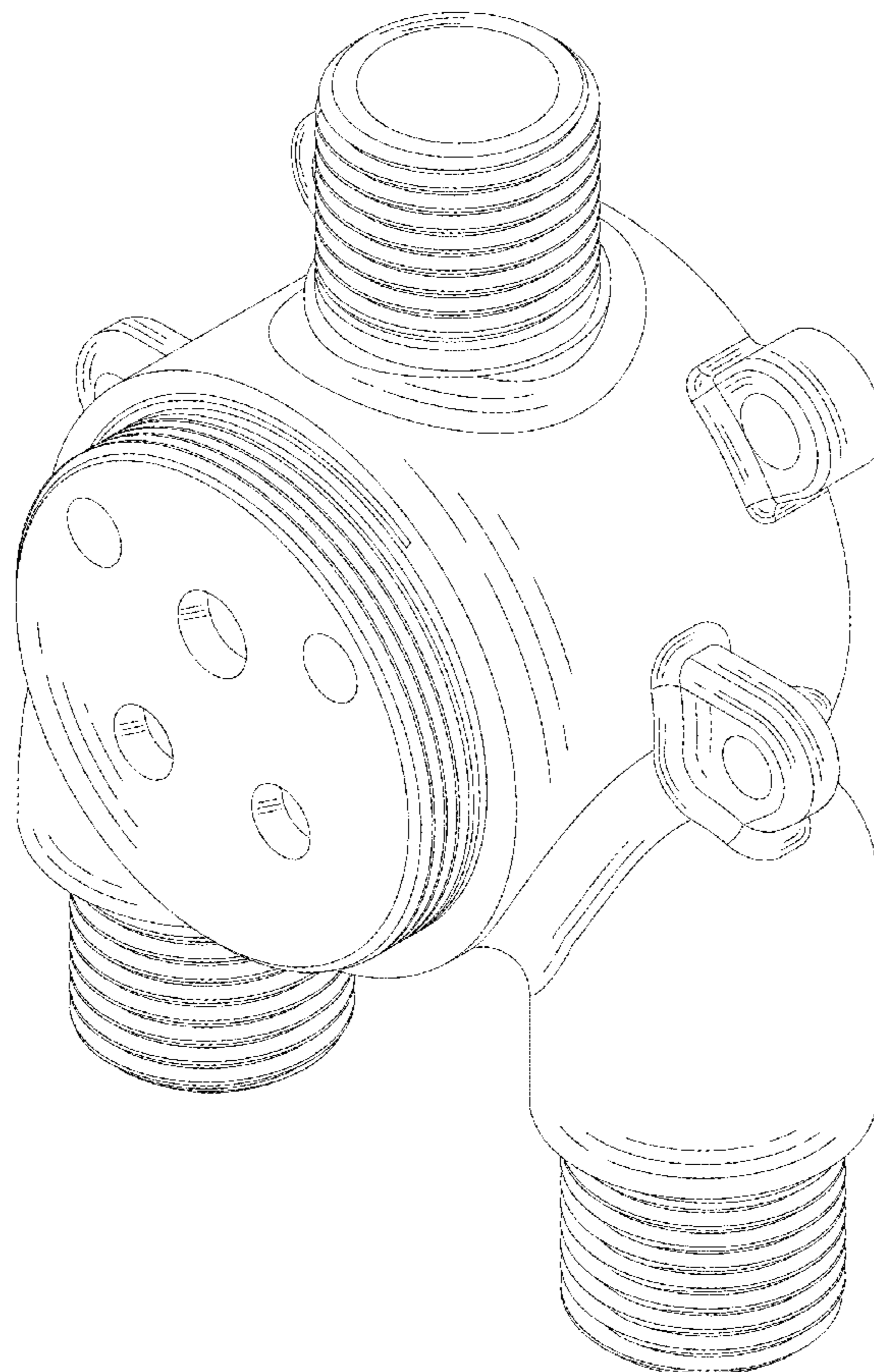
The ornamental design for a wall mounted shower mixer body, as shown and described.

DESCRIPTION

FIG. 1 is a perspective view of a wall mounted shower mixer body showing my new design;
 FIG. 2 is a front elevational view thereof;
 FIG. 3 is a rear elevational view thereof;
 FIG. 4 is a left side elevational view thereof;
 FIG. 5 is a right side elevational view thereof;
 FIG. 6 is a top plan view thereof; and,
 FIG. 7 is a bottom plan view thereof.

The broken lines throughout the drawing figures depict portions of the wall mounted shower mixer body that form no part of the claimed design.

1 Claim, 7 Drawing Sheets



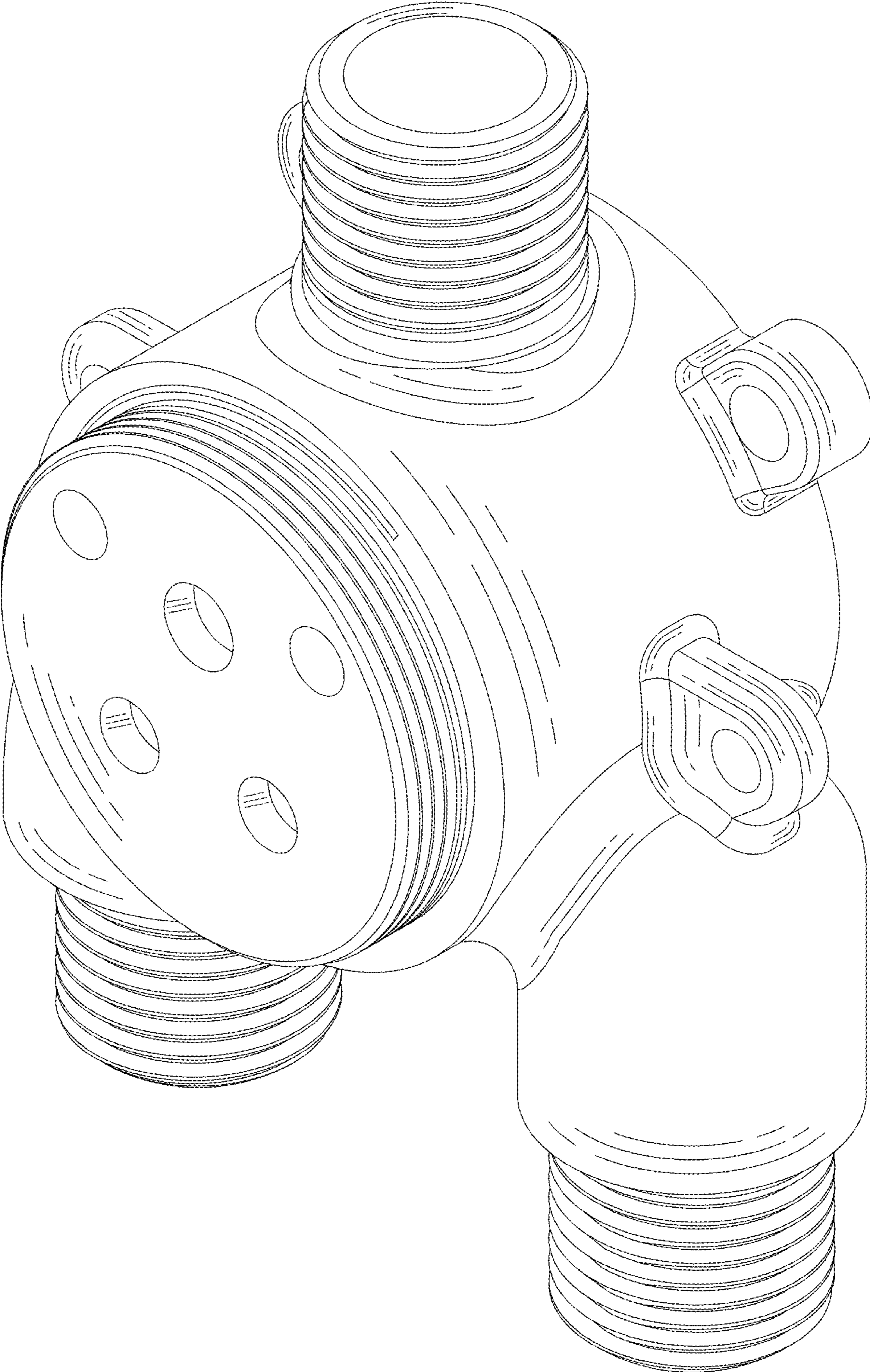


FIG.1

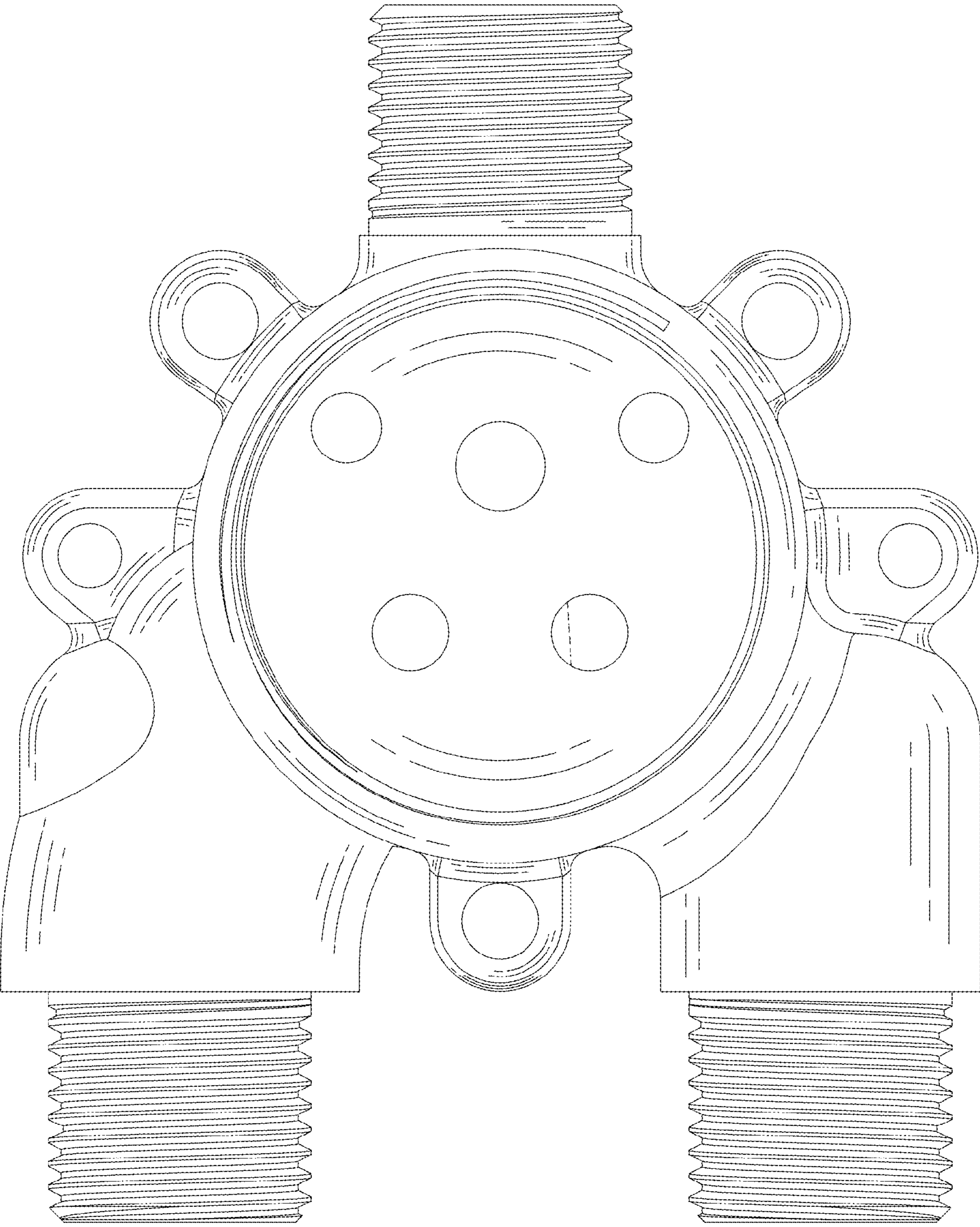


FIG.2

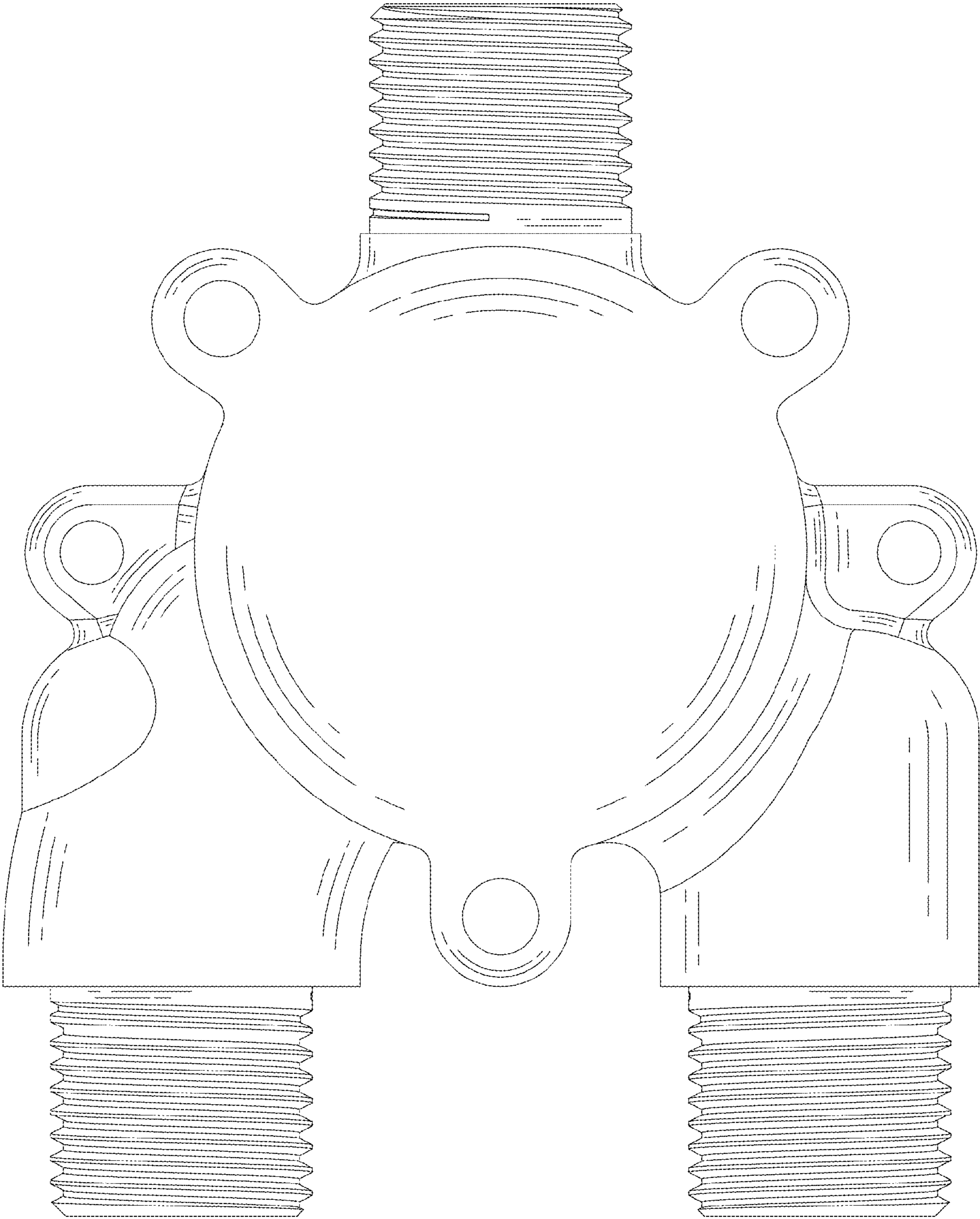


FIG.3

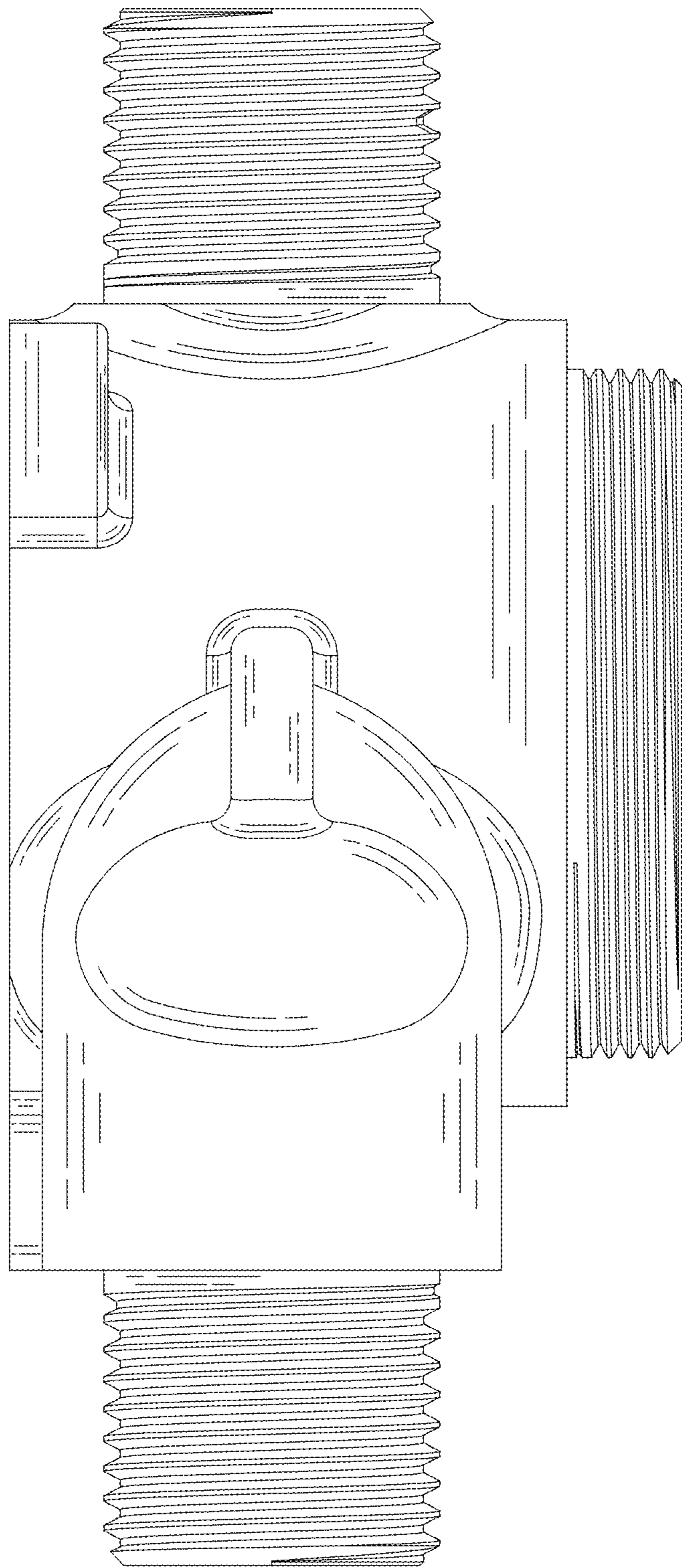


FIG.4

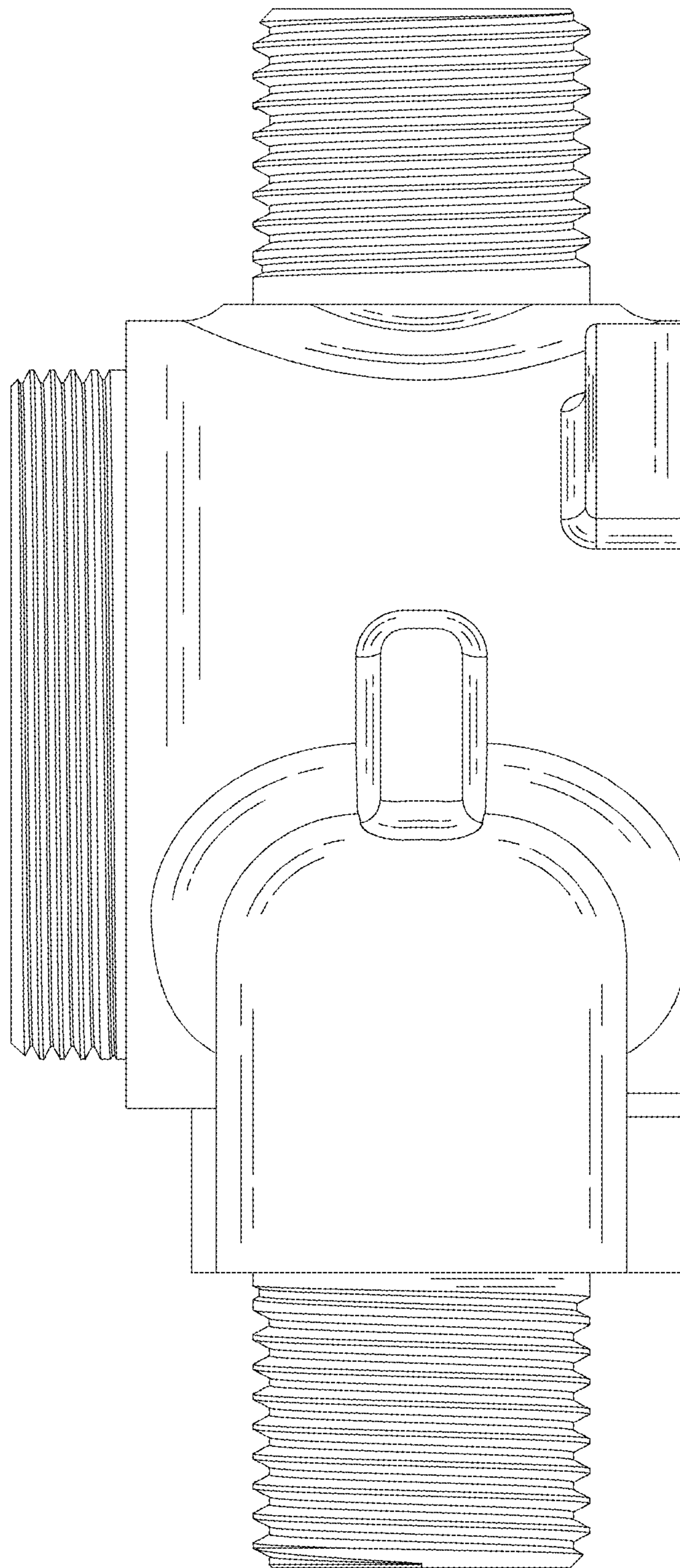


FIG.5

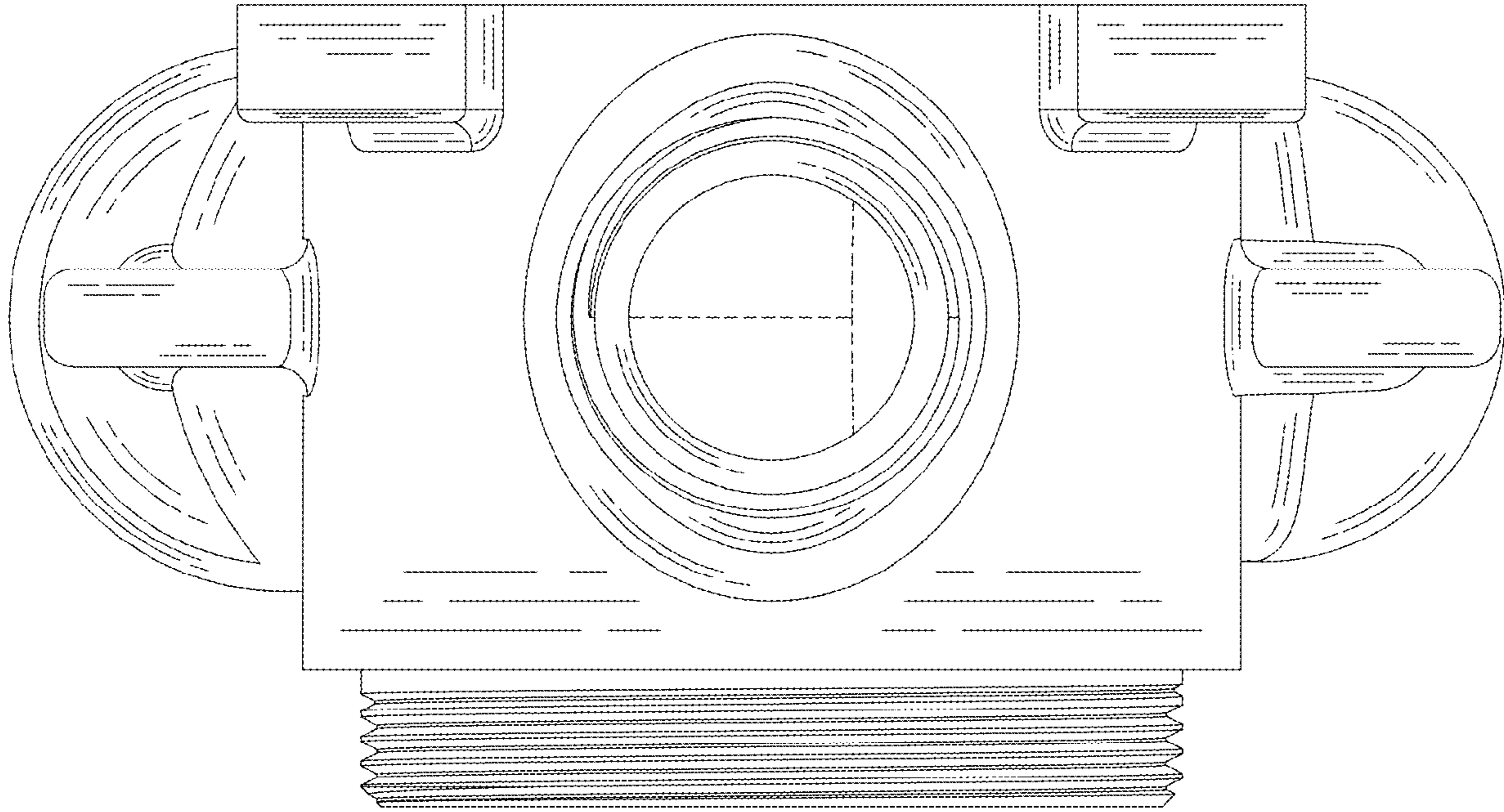


FIG.6

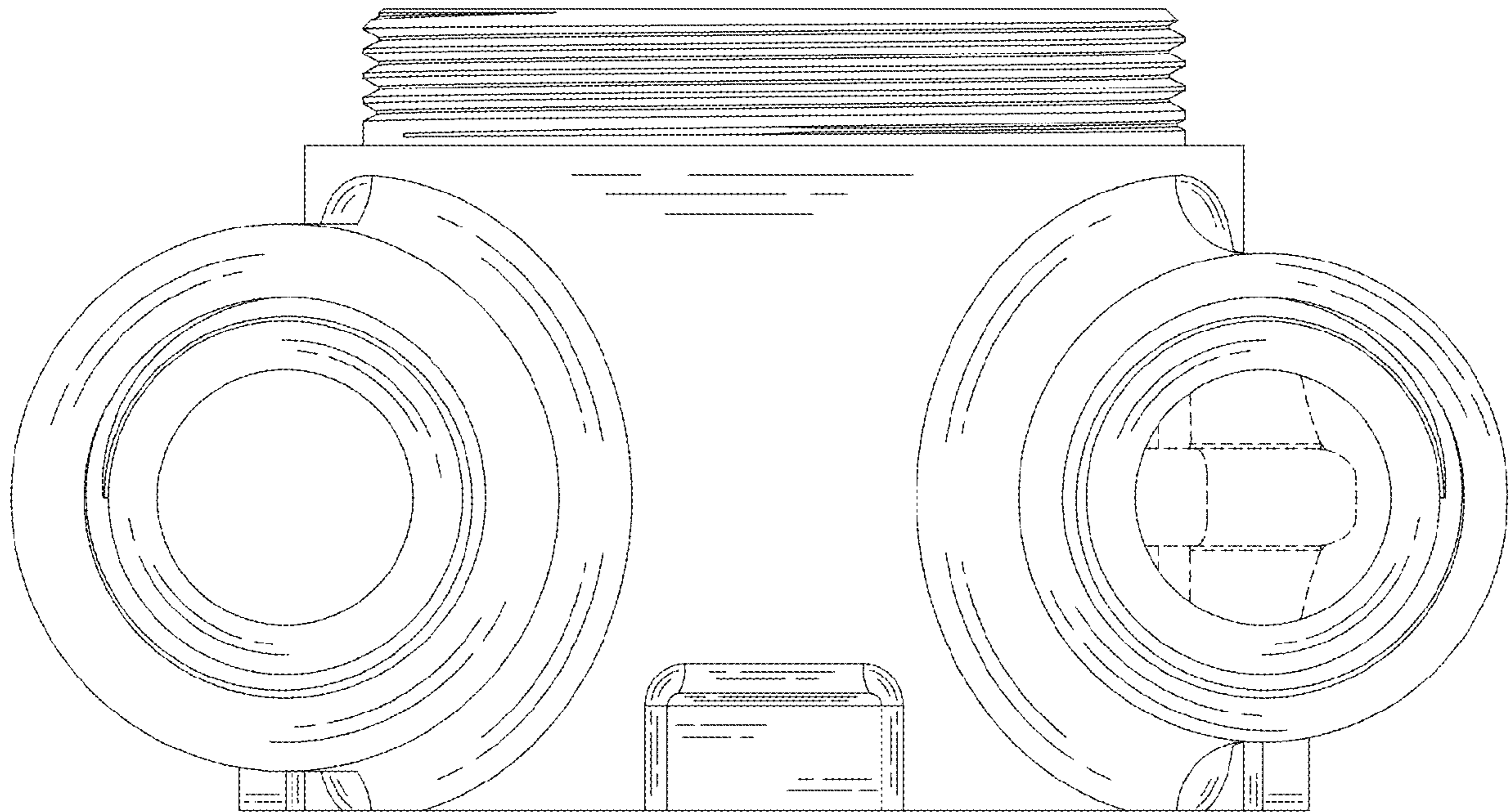


FIG.7