



US00D955527S

(12) **United States Design Patent** (10) **Patent No.:** **US D955,527 S**
Lin (45) **Date of Patent:** **** Jun. 21, 2022**

(54) **SHOWER HEAD**

(71) Applicant: **Hongli Lin**, Putian (CN)

(72) Inventor: **Hongli Lin**, Putian (CN)

(**) Term: **15 Years**

(21) Appl. No.: **29/802,421**

(22) Filed: **Aug. 5, 2021**

(51) **LOC (13) Cl.** **23-01**

(52) **U.S. Cl.**
USPC **D23/223**

(58) **Field of Classification Search**
USPC D23/213, 223, 226, 228, 229, 238, 239
CPC B05B 1/16; B05B 1/1618; B05B 1/18;
B05B 1/185; E03C 1/0401; E03C 1/0408;
E03C 1/066; E03C 1/0415
See application file for complete search history.

(56) **References Cited**

U.S. PATENT DOCUMENTS

6,270,023	B1 *	8/2001	Farley	E03C 1/0409 239/525
D457,598	S *	5/2002	Storti	D23/223
D476,066	S *	6/2003	Genslak	D23/255
D527,072	S *	8/2006	Wu	D23/223
D659,797	S *	5/2012	Farley	D23/223
D674,038	S	1/2013	Mendoza et al.		
D674,045	S *	1/2013	Hanus	D23/223
D737,931	S *	9/2015	Schoenherr	D23/223
D855,760	S *	8/2019	Lee	D23/223
D885,521	S *	5/2020	Hayner	D23/223
D892,976	S *	8/2020	Zhang	D23/223
D926,287	S	7/2021	Cocks et al.		
D930,116	S *	9/2021	Sanghun	D23/223
D942,589	S *	2/2022	Su	D23/226
2008/0223957	A1 *	9/2008	Schorn	B05B 3/0422 239/548
2011/0108640	A1 *	5/2011	Grohe	B05B 1/08 239/548

2013/0299608	A1 *	11/2013	Spangler	B05B 15/62 239/525
2015/0076254	A1 *	3/2015	Farley	E03C 1/06 239/532
2020/0239331	A1 *	7/2020	Zhang	B01D 39/06
2021/0394094	A1 *	12/2021	Wilkinson	B01D 29/21

OTHER PUBLICATIONS

Propeller Shower, Aug. 16, 2021, Amazon, site visited Apr. 21, 2022: <https://www.amazon.com/dp/B09CP1TXS7/> (Year: 2021).*
Luxsego Filtered Shower Head, Apr. 15, 2020, Amazon, site visited Apr. 21, 2022: <https://www.amazon.com/dp/B0875GXR3R/> (Year: 2020).*
Ubrand Handheld Shower, Jan. 18, 2021, Amazon, site visited Apr. 21, 2022: <https://www.amazon.com/dp/B08T9WXRLP/> (Year: 2021).*

* cited by examiner

Primary Examiner — Jack Reickel
Assistant Examiner — Bobby W Jones, II

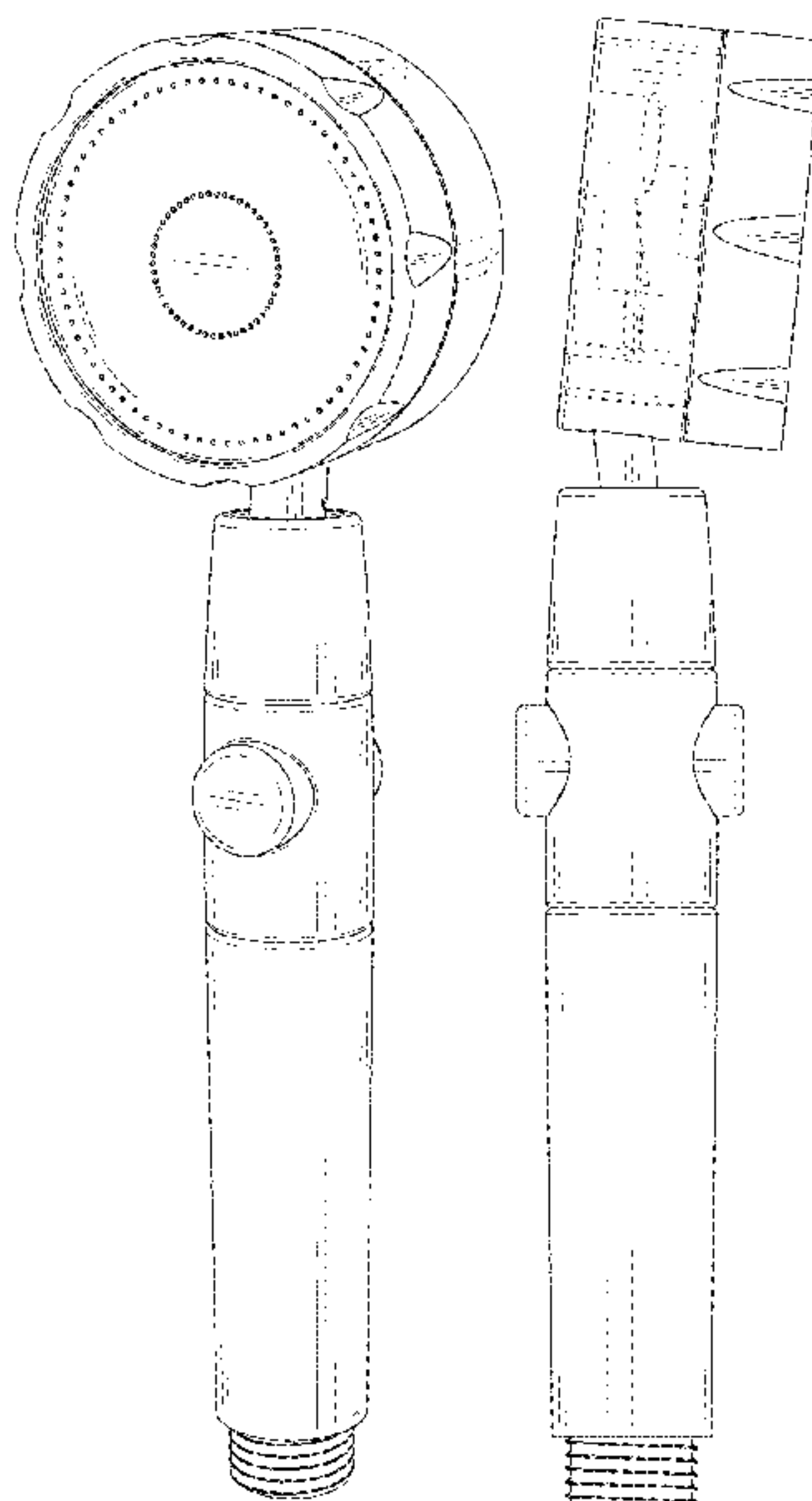
(57) **CLAIM**

The ornamental design for a shower head, as shown and described.

DESCRIPTION

FIG. 1 is a perspective view of a shower head showing my new design;
FIG. 2 is another perspective view thereof;
FIG. 3 is a front elevational view thereof;
FIG. 4 is a rear elevational view thereof;
FIG. 5 is a left side elevational view thereof;
FIG. 6 is a right side elevational view thereof;
FIG. 7 is a top plan view thereof; and,
FIG. 8 is a bottom plan view thereof.
The broken lines in the drawings depict portions of the shower head that form no part of the claimed design.

1 Claim, 8 Drawing Sheets



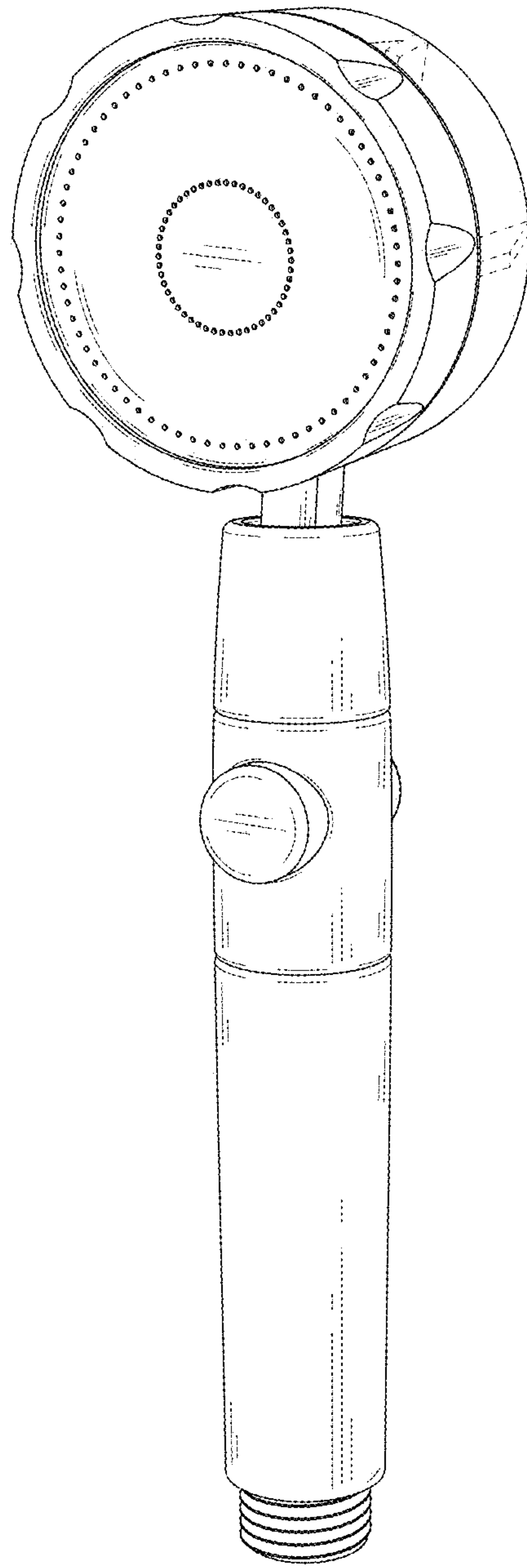


FIG. 1

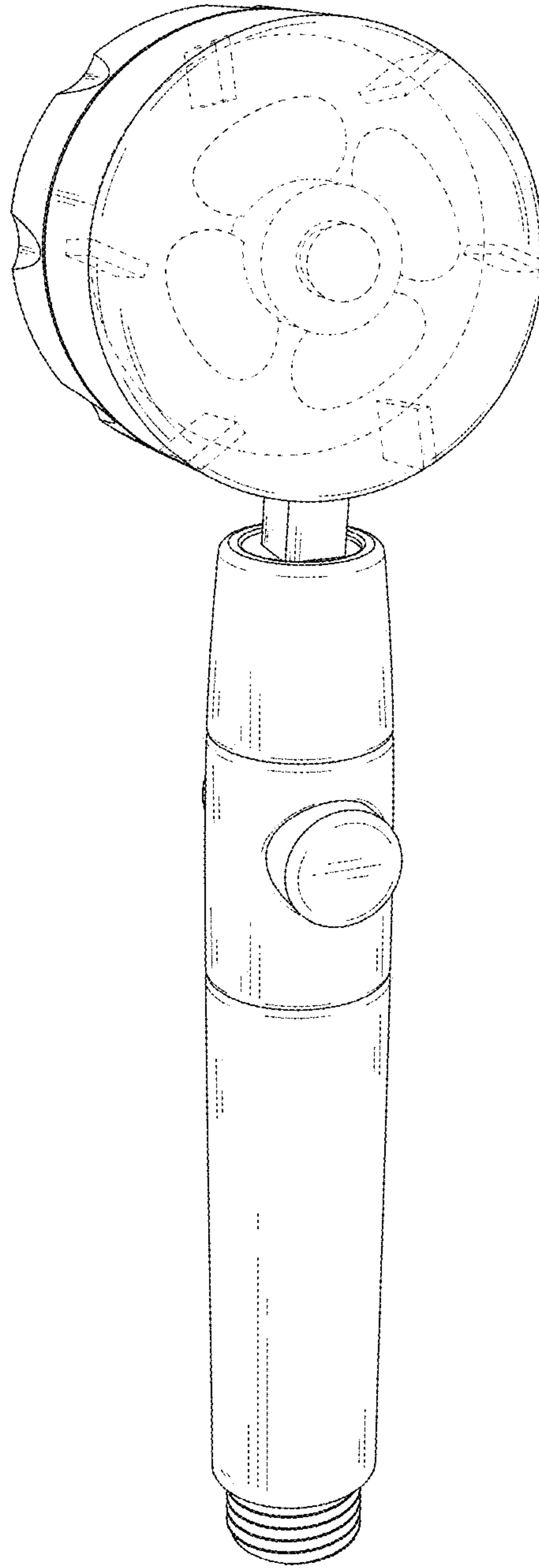


FIG. 2

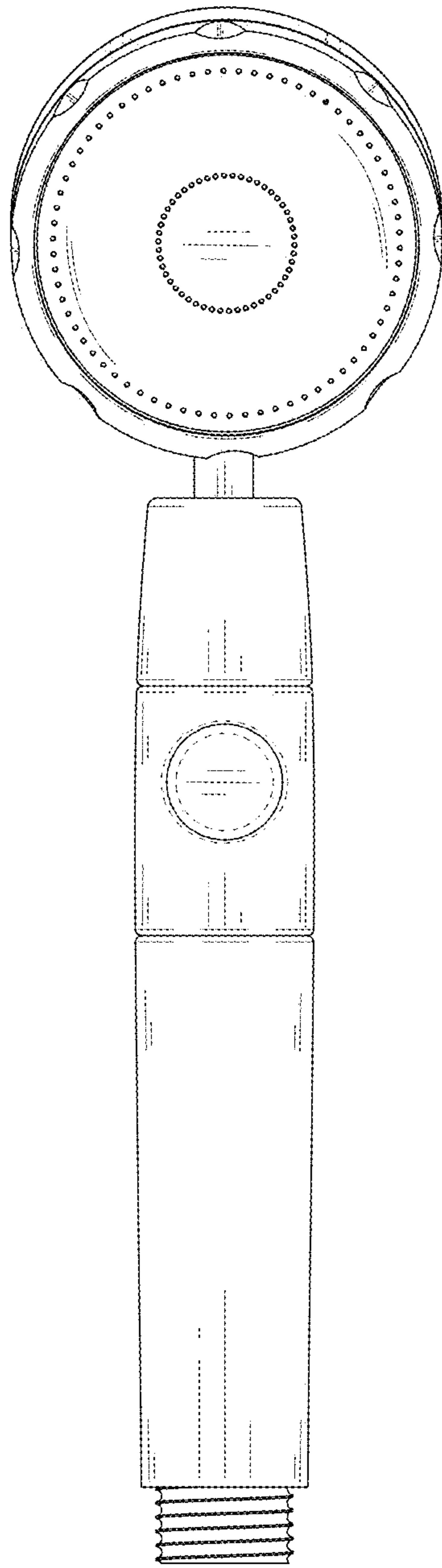


FIG. 3

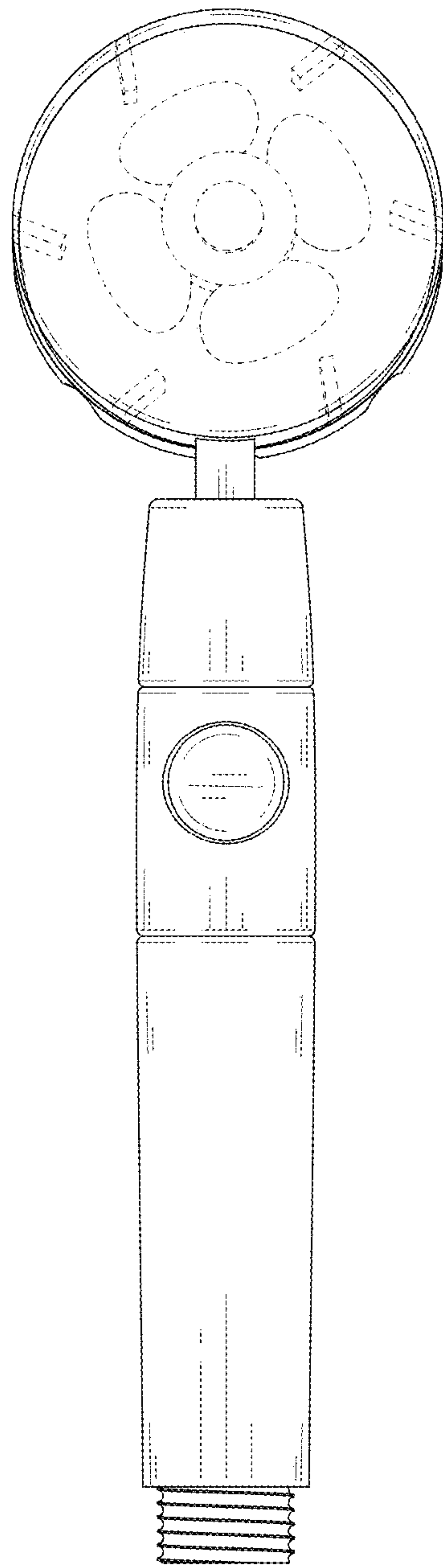


FIG. 4

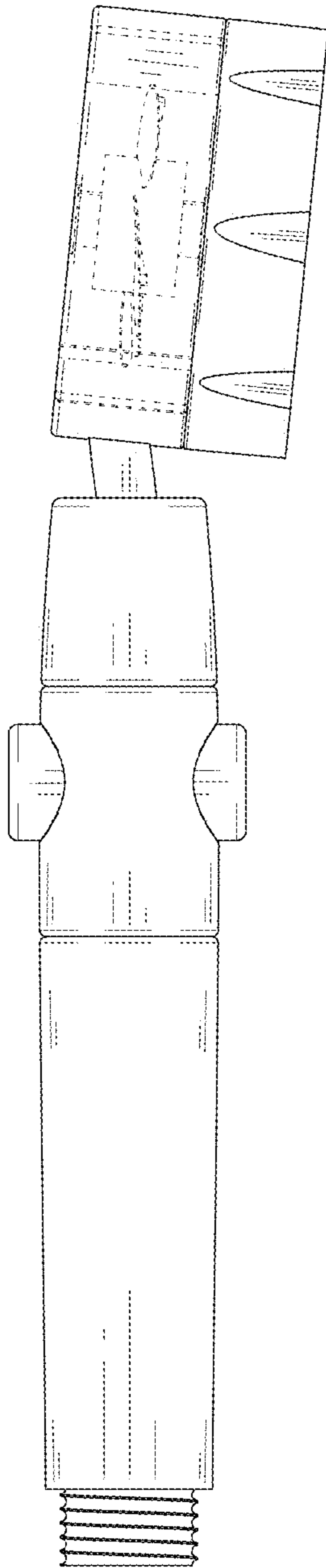


FIG. 5

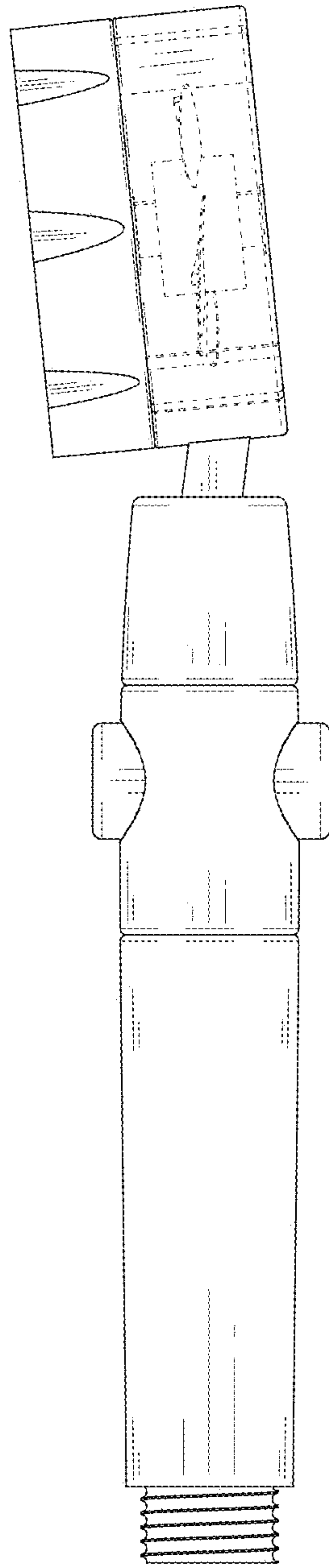


FIG. 6

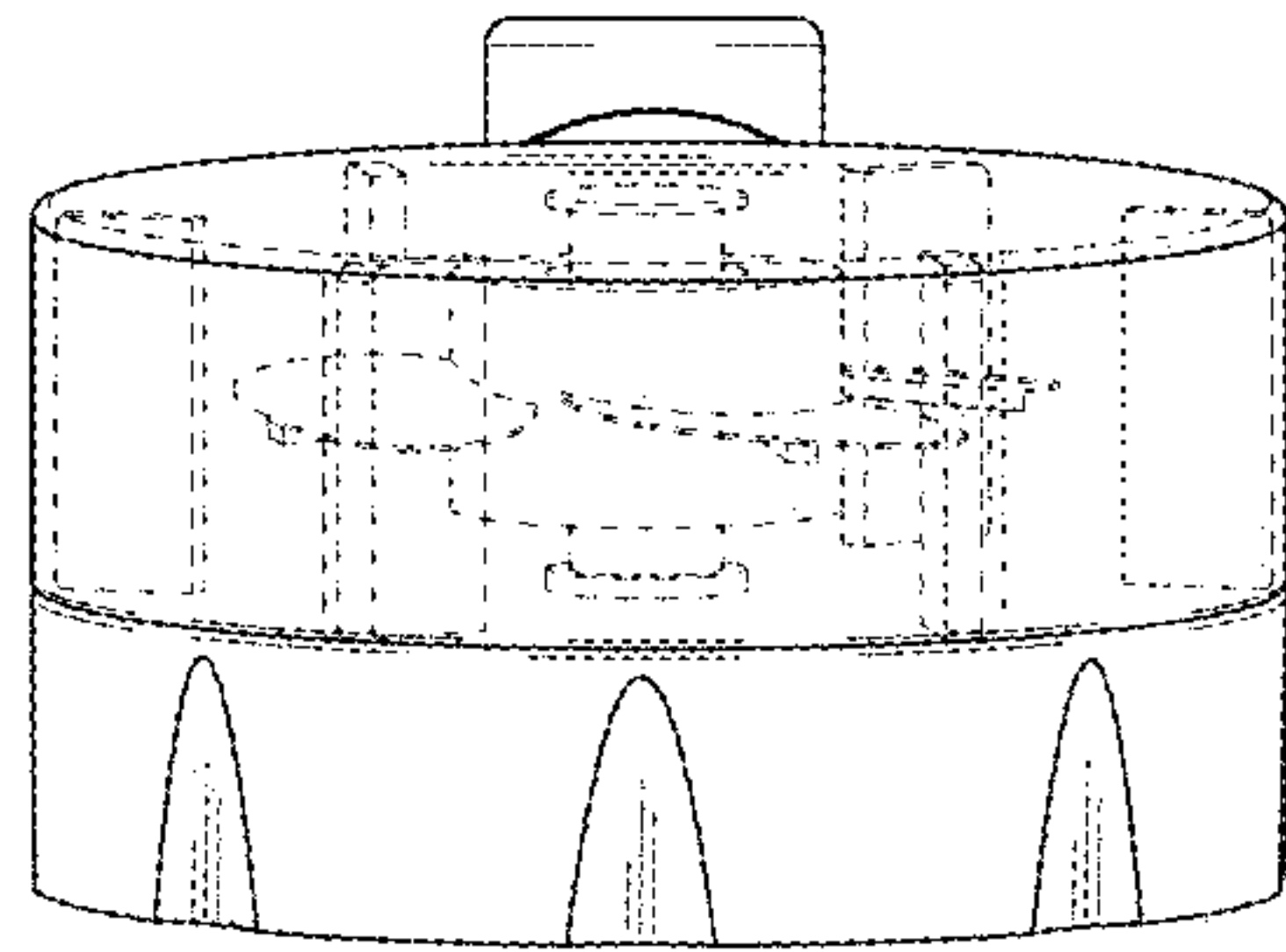


FIG. 7

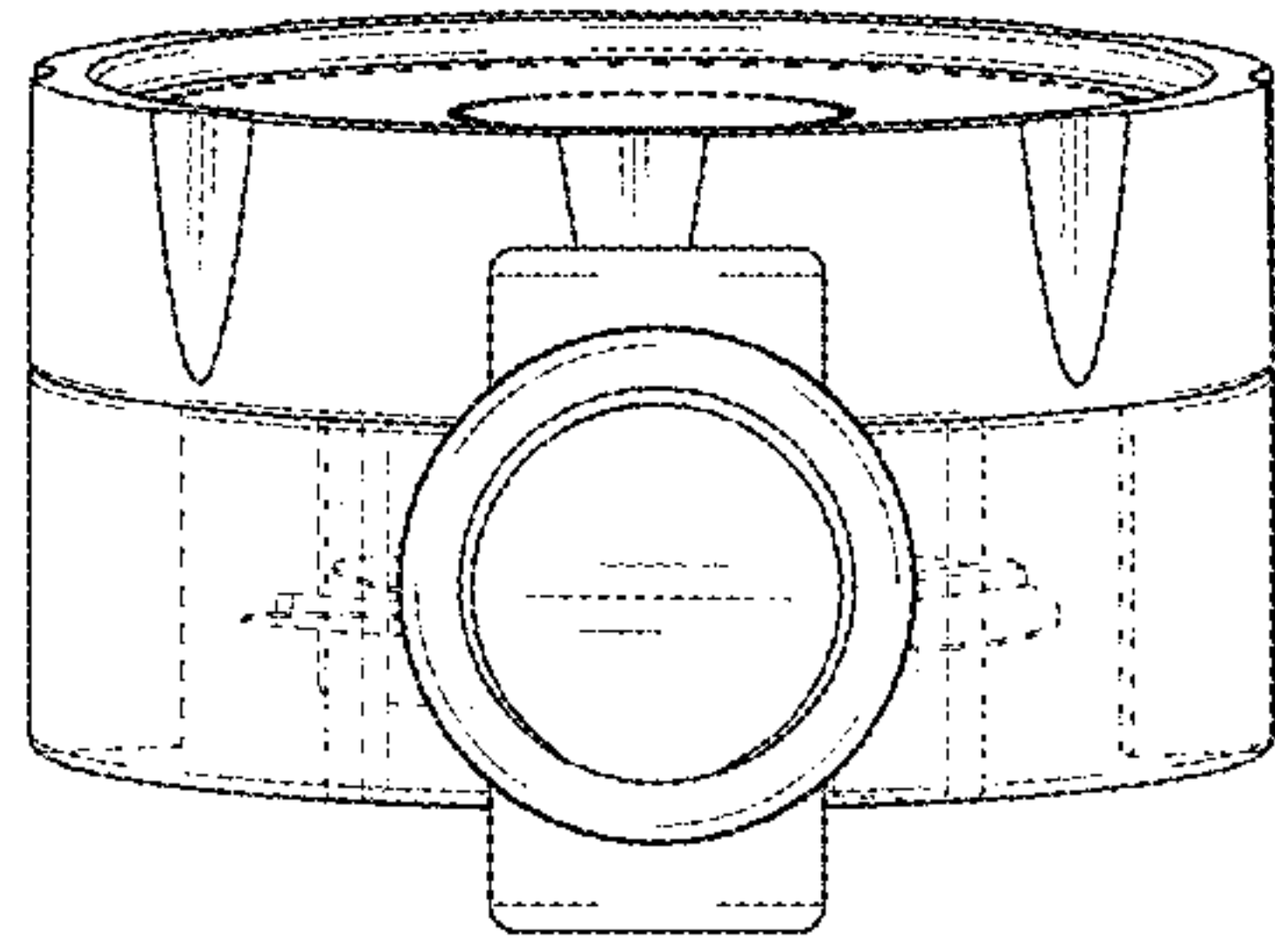


FIG. 8