



US00D955524S

(12) **United States Design Patent** (10) **Patent No.:** **US D955,524 S**
Spector et al. (45) **Date of Patent:** **** Jun. 21, 2022**

(54) **FIREARM SUPPRESSOR**

- (71) Applicant: **RFPH, LLC**, Stafford, TX (US)
- (72) Inventors: **David Morris Spector**, Missouri City, TX (US); **Phillip Eugene Haag, Jr.**, Rosenberg, TX (US)
- (73) Assignee: **RFPH, LLC**, Stafford, TX (US)
- (**) Term: **15 Years**
- (21) Appl. No.: **29/724,961**
- (22) Filed: **Feb. 20, 2020**
- (51) **LOC (13) Cl.** **22-01**
- (52) **U.S. Cl.**
USPC **D22/108**
- (58) **Field of Classification Search**
USPC D22/100, 101, 103, 104, 105, 108, 199;
D21/573-575; D15/138
CPC F41A 21/30; F41A 21/325; F41A 13/00;
F41A 21/44; F41A 35/04
See application file for complete search history.

(56) **References Cited**

U.S. PATENT DOCUMENTS

3,837,107	A *	9/1974	Swaim	F42B 5/045
					42/105
D280,655	S *	9/1985	Cellini	89/14.3
D285,238	S *	8/1986	Cellini	89/14.3
D296,350	S *	6/1988	Cellini	89/14.3
D435,884	S *	1/2001	Dehaan	D21/572
6,192,612	B1 *	2/2001	Maier	F41A 1/04
					42/54
D585,518	S *	1/2009	Brittingham	D22/108
8,453,789	B1	6/2013	Honigmann et al.		
8,875,612	B1 *	11/2014	Klett	C22C 19/03
					89/14.4
9,316,456	B1	4/2016	Oliver		

(Continued)

OTHER PUBLICATIONS

Cox, Matthew. "US Special Operators Could Use This New Suppressor That Relies on WWI Technology" Posted: Jan. 22, 2020 [visited: Jan. 5, 2021] Military.com URL: <https://www.military.com/daily-news/2020/01/22/us-special-operators-could-use-new-suppressor-relies-wwi-technology.html> (Year: 2020).*

(Continued)

Primary Examiner — Marissa J Cash

Assistant Examiner — Jessie Anne E Touart

(74) *Attorney, Agent, or Firm* — Patterson + Sheridan, L.L.P.

(57) **CLAIM**

The ornamental design for a firearm suppressor, as shown and described.

DESCRIPTION

FIG. 1 is a front (muzzle end) isometric top view of a firearm suppressor.

FIG. 2 is a rear (breach end) isometric bottom view of the firearm suppressor.

FIG. 3 is a right side elevational view of the firearm suppressor, the left side elevation view being a mirror image, and the top and bottom plan views being the same.

FIG. 4 is a front (muzzle end) elevational view of the firearm suppressor.

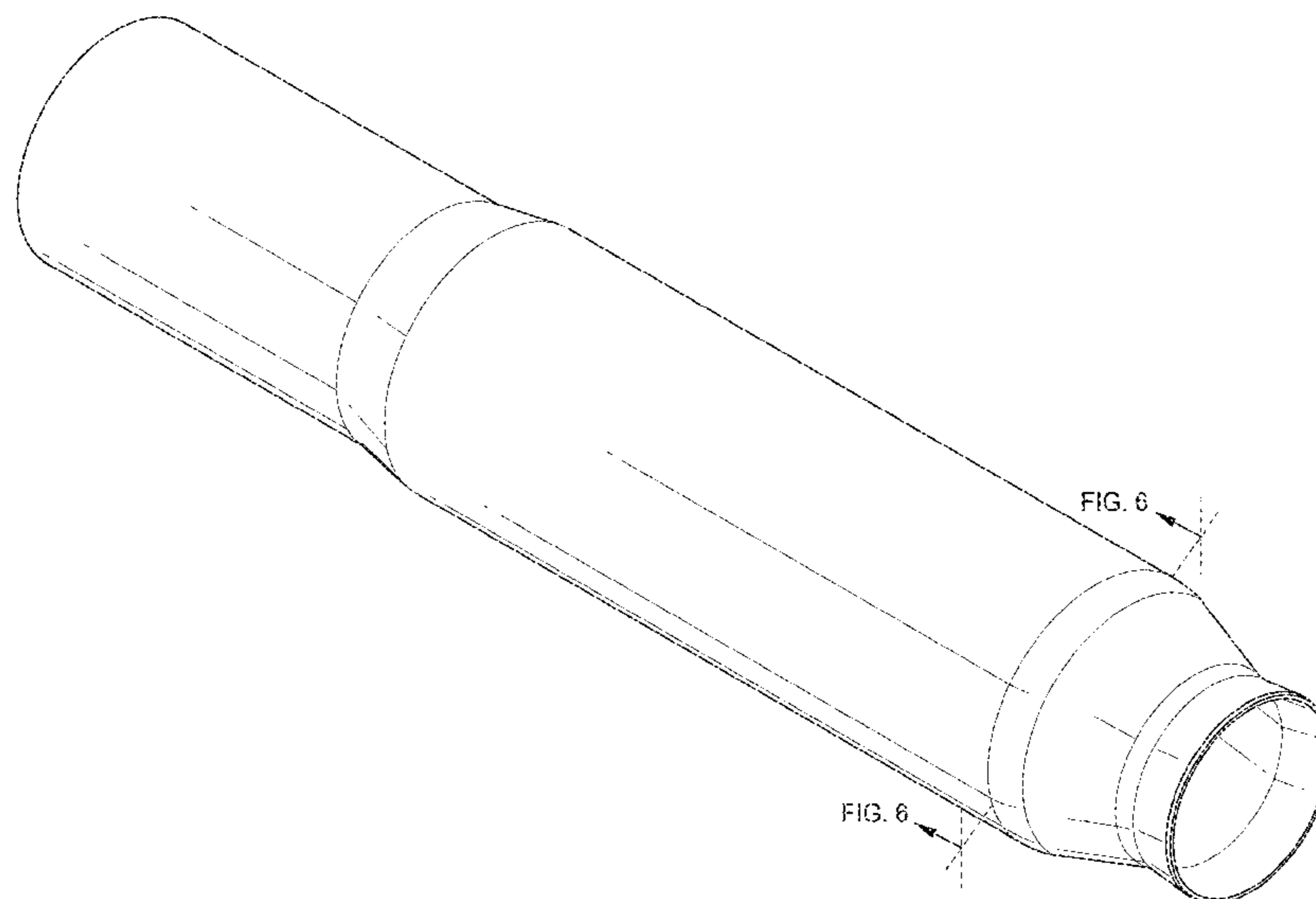
FIG. 5 is a rear (breach end) elevational view of the firearm suppressor.

FIG. 6 is a sectional view of the firearm suppressor taken along lines 6-6 of FIG. 1; and,

FIG. 7 is another front (muzzle end) isometric top view of the firearm suppressor.

The broken lines in FIG. 1 are annotative for annotative purposes only and form no part of the claimed design. The broken lines in FIGS. 2, 4, 5, and 6 illustrate portions of the firearm suppressor thereof. The broken lines in FIG. 7 depict environment and form no part thereof.

1 Claim, 5 Drawing Sheets



(56)

References Cited

U.S. PATENT DOCUMENTS

D761,373 S * 7/2016 Lessard D22/108
 D764,621 S * 8/2016 Dueck D22/108
 D776,226 S * 1/2017 Green D22/108
 D779,621 S * 2/2017 Salvador D22/108
 D792,545 S * 7/2017 Green D22/108
 D810,224 S * 2/2018 Lessard D22/108
 D839,375 S * 1/2019 James D22/108
 D842,419 S * 3/2019 Edminster D22/108
 10,222,162 B2 * 3/2019 Adamson, Jr. F41A 21/30
 10,288,374 B1 * 5/2019 Fricke F41A 21/30
 D860,372 S * 9/2019 Riley D22/108
 D876,575 S * 2/2020 Delgado Acarreta D22/108
 10,634,445 B1 4/2020 Klett
 D888,871 S * 6/2020 Alomaira D22/108
 10,677,555 B2 * 6/2020 Fricke F41C 9/08
 D910,139 S * 2/2021 Chin D22/108
 2013/0312592 A1 * 11/2013 Storrs F41A 21/30
 89/14.1
 2015/0184968 A1 7/2015 Fischer et al.

2019/0204038 A1 7/2019 Conner
 2019/0257607 A1 8/2019 Dobrinescu
 2019/0285375 A1 9/2019 Hartwell
 2019/0331449 A1 10/2019 Marfione
 2019/0376758 A1 12/2019 Tiziani
 2020/0103194 A1 4/2020 Oliver
 2021/0254921 A1 * 8/2021 Spector F41A 21/34
 2021/0404760 A1 * 12/2021 Hipp F41A 21/30

OTHER PUBLICATIONS

The Dead District. "New Suppressor That Relies on #WWI Technology" Tweeted: Jan. 23, 2020 [visited: Jan. 5, 2021] Twitter URL: <https://twitter.com/TheDeadDistrict/status/1220272357039919104> (Year: 2020).*

Van Nostrand Company. Operation and Tactical Use of the Lewis Automatic Machine Rifle. Published: 1917 [visited: Jan. 5, 2022] Fenrir.com URL: http://www.fenrir.com/free_stuff/lewis/003.htm (Year: 1917).*

Israeli Office Action dated Jan. 20, 2021 for Application No. 65544.

* cited by examiner

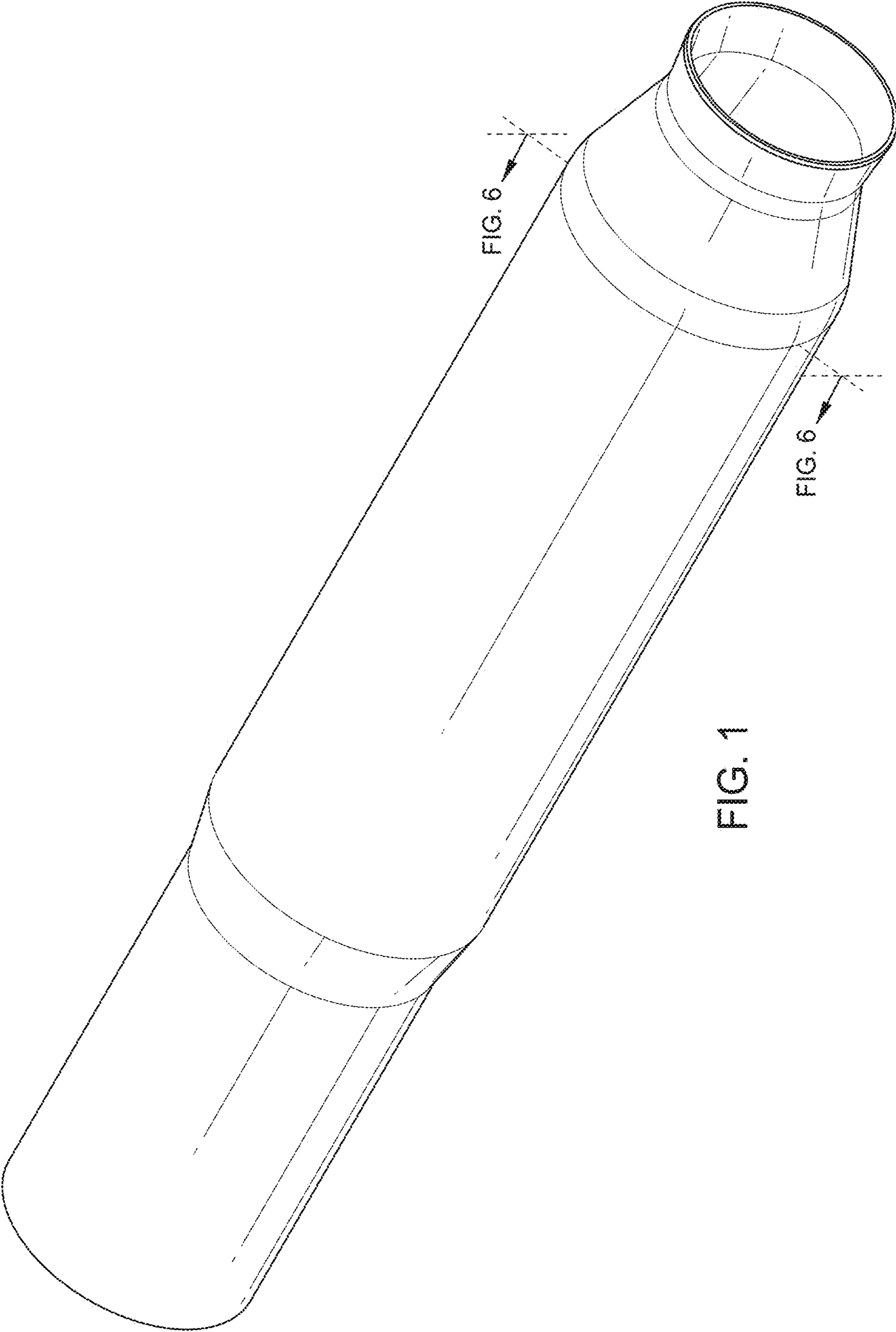


FIG. 1

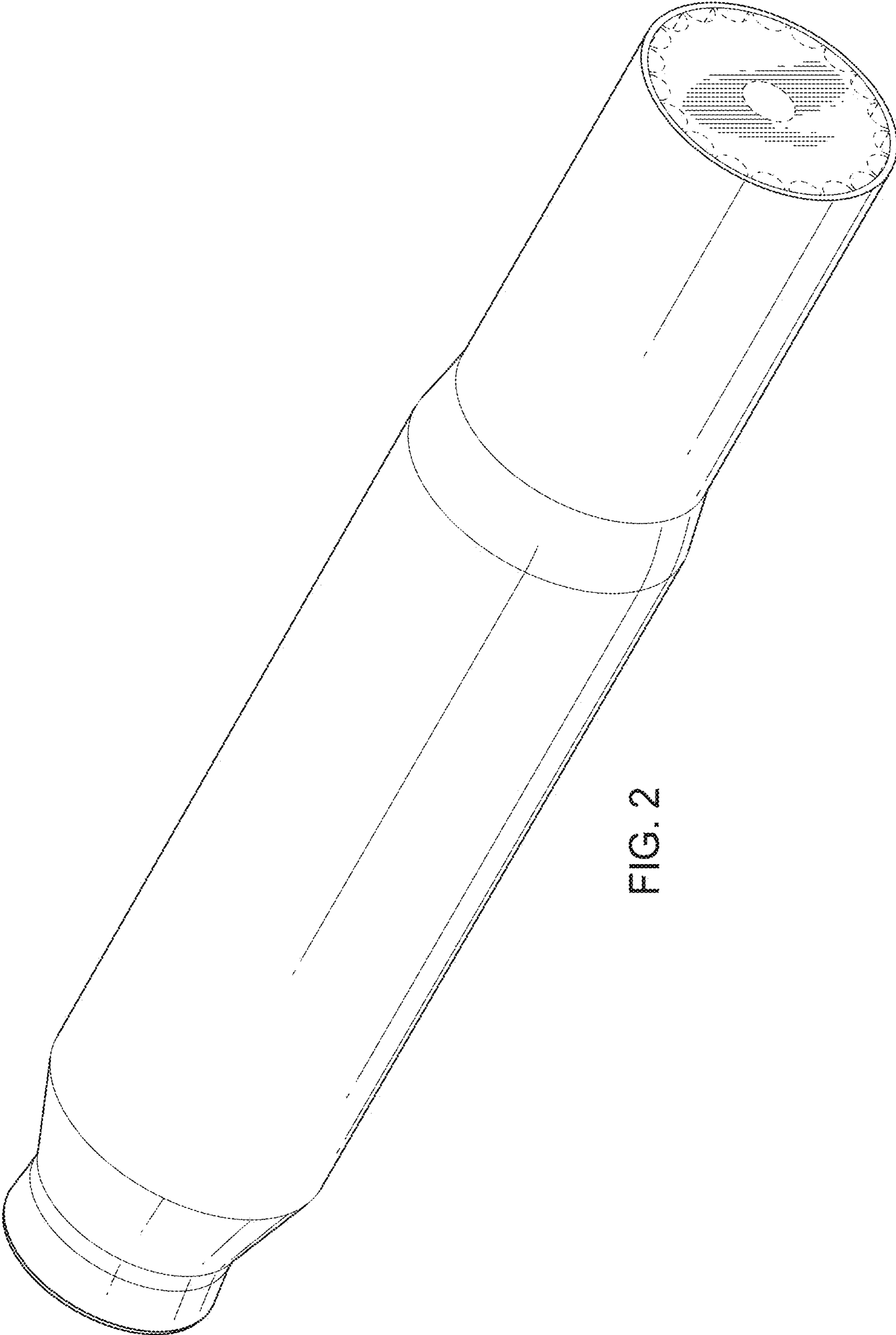


FIG. 2

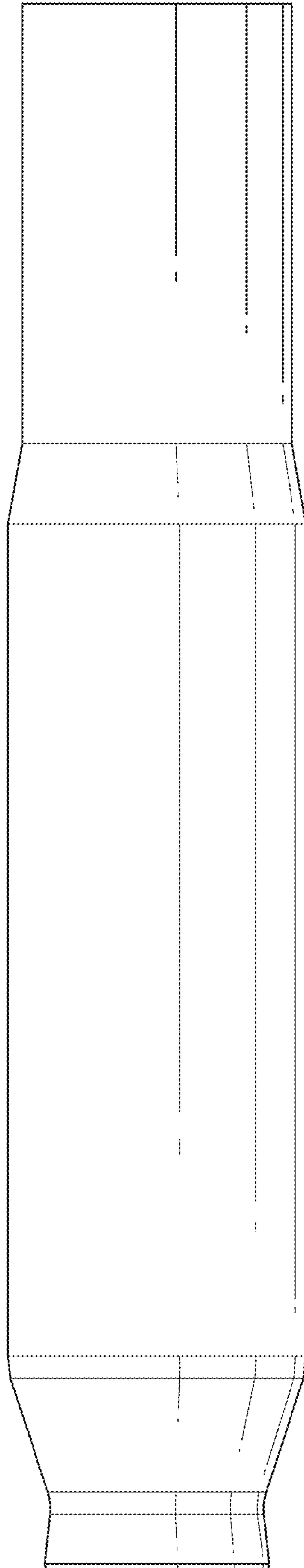


FIG. 3

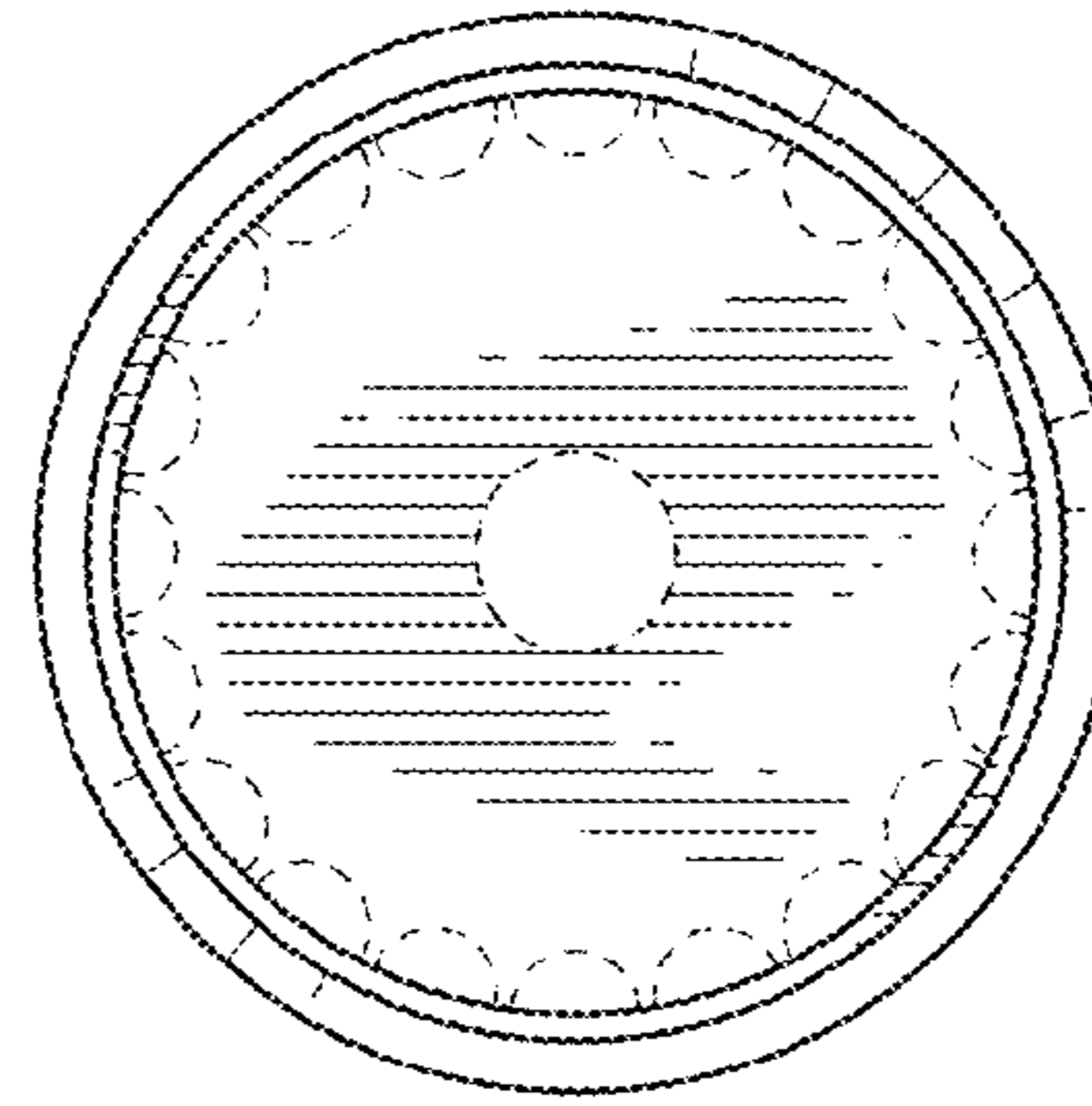


FIG. 5

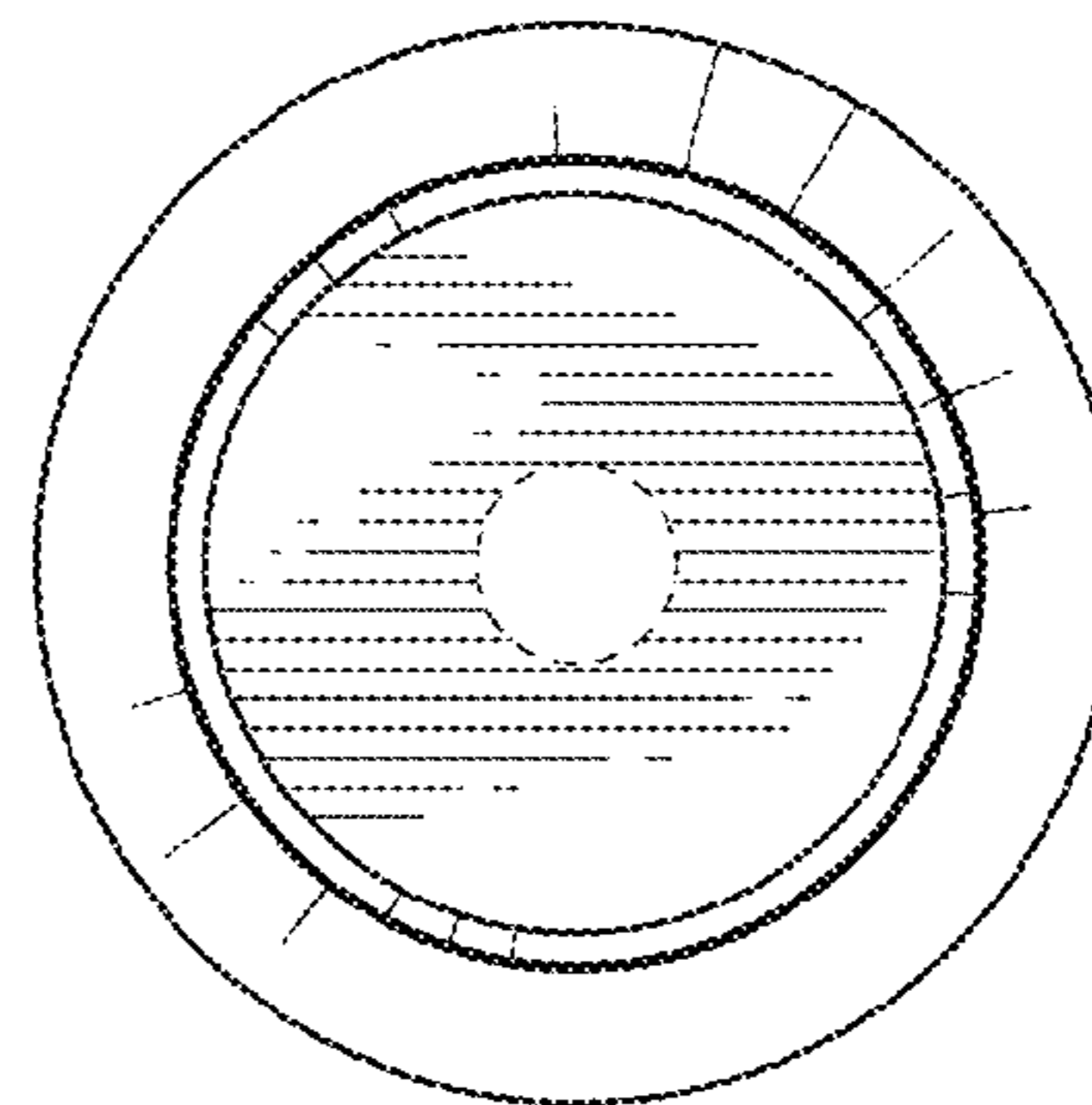


FIG. 4

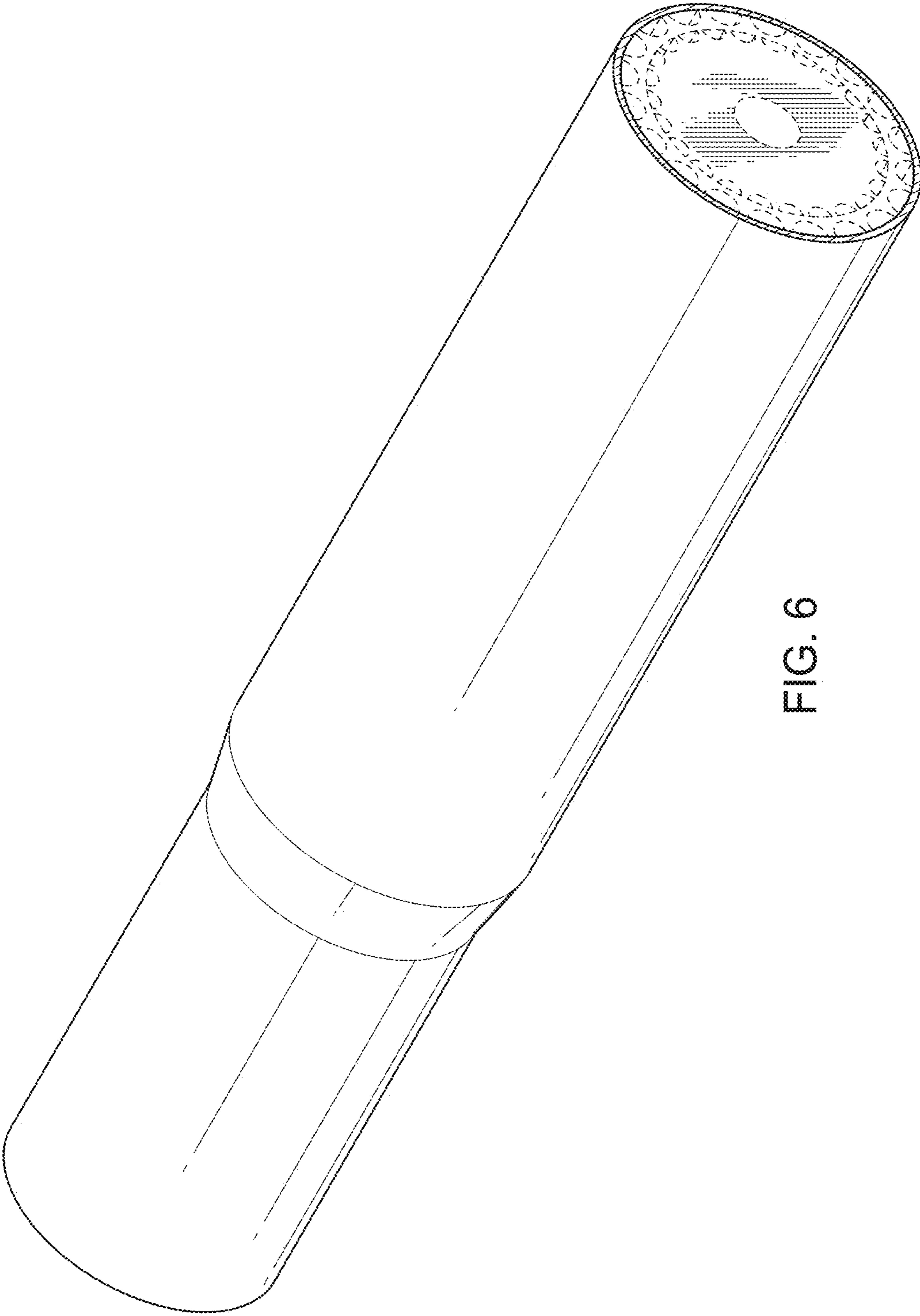


FIG. 6

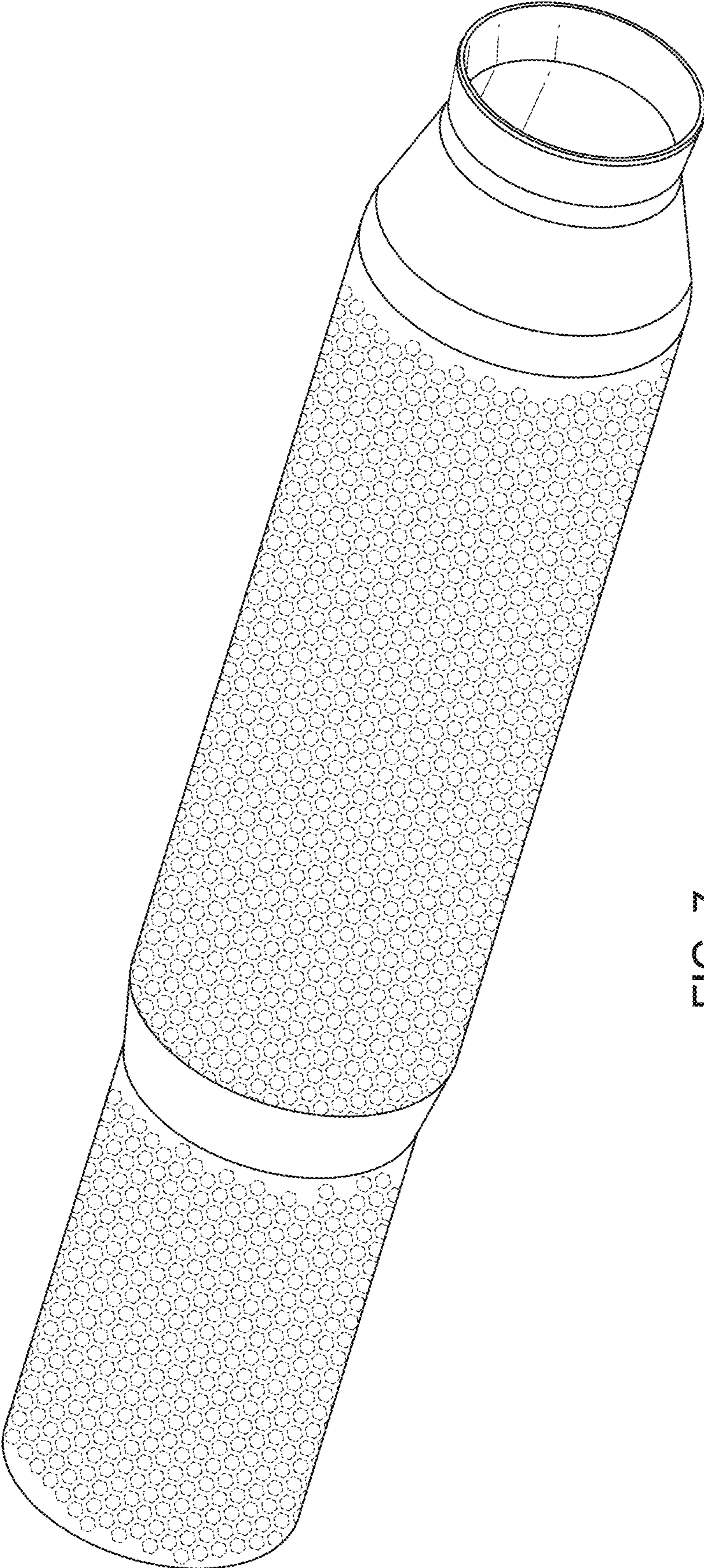


FIG. 7