



US00D955523S

(12) **United States Design Patent**  
**Li**

(10) **Patent No.:** **US D955,523 S**  
(45) **Date of Patent:** **\*\* Jun. 21, 2022**

- (54) **BEACH TENT**
- (71) Applicant: **Biyun Li**, Jinhua (CN)
- (72) Inventor: **Biyun Li**, Jinhua (CN)
- (\*\*) Term: **15 Years**
- (21) Appl. No.: **29/794,286**
- (22) Filed: **Jun. 11, 2021**
- (51) **LOC (13) Cl.** ..... **21-04**
- (52) **U.S. Cl.**  
USPC ..... **D21/837**
- (58) **Field of Classification Search**  
USPC ..... D21/834, 837, 838; D25/56  
CPC ..... E04H 15/00; E04H 15/003; E04H 15/40;  
E04H 15/405; E04H 15/44; E04H 15/42;  
E04H 15/425  
See application file for complete search history.

- D910,137 S \* 2/2021 Zhang ..... D21/834
- D921,148 S \* 6/2021 Xiao ..... D21/837
- D925,686 S \* 7/2021 Guo ..... D21/834
- D928,899 S \* 8/2021 Zhu ..... D21/837

\* cited by examiner

*Primary Examiner* — Cynthia M. Chin

(57) **CLAIM**

The ornamental design for a beach tent, as shown and described.

**DESCRIPTION**

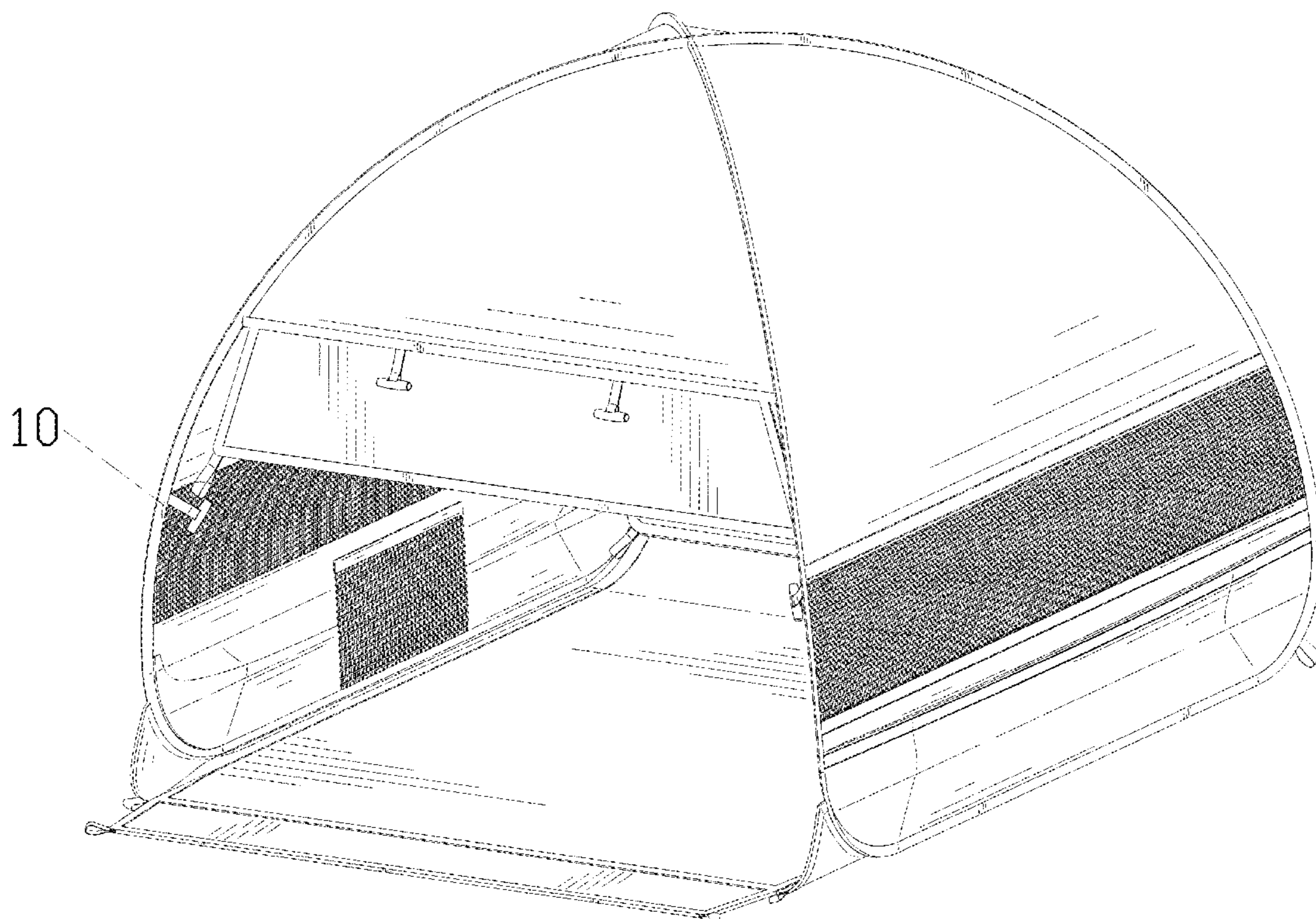
FIG. 1 is a front, left side, top perspective view of a beach tent showing my new design;  
 FIG. 2 is rear, right side, bottom perspective view thereof;  
 FIG. 3 is front, left side, bottom perspective view thereof;  
 FIG. 4 is a front elevational view thereof;  
 FIG. 5 is a rear elevational view thereof;  
 FIG. 6 is a left side elevational view thereof;  
 FIG. 7 is a right side elevational view thereof;  
 FIG. 8 is a top plan view thereof;  
 FIG. 9 is a bottom plan view thereof;  
 FIG. 10 is an enlarged partial view of a portion of the beach tent taken from FIG. 1;  
 FIG. 11 is an enlarged partial view of a portion of the beach tent taken from FIG. 2; and,  
 FIG. 12 is an enlarged partial view of a portion of the beach tent taken from FIG. 8.  
 The dash-dot broken lines represent the boundaries of the enlarged partial views of FIGS. 10-12 and form no part of the claimed design.

(56) **References Cited**

**U.S. PATENT DOCUMENTS**

- D744,053 S 11/2015 Cirjak et al.
- D775,296 S \* 12/2016 Shir ..... D21/837
- D795,980 S \* 8/2017 Xiao ..... D21/834
- D822,141 S \* 7/2018 Xiao ..... D21/837
- D823,968 S \* 7/2018 Xiao ..... D21/837
- D824,474 S \* 7/2018 Xiao ..... D21/837
- D831,773 S \* 10/2018 Huang ..... D21/837
- D841,107 S \* 2/2019 Zhu ..... D21/837
- D872,210 S \* 1/2020 Zhu ..... D21/837
- D872,818 S \* 1/2020 Zhu ..... D21/837
- D909,527 S 2/2021 Alemdar

**1 Claim, 12 Drawing Sheets**





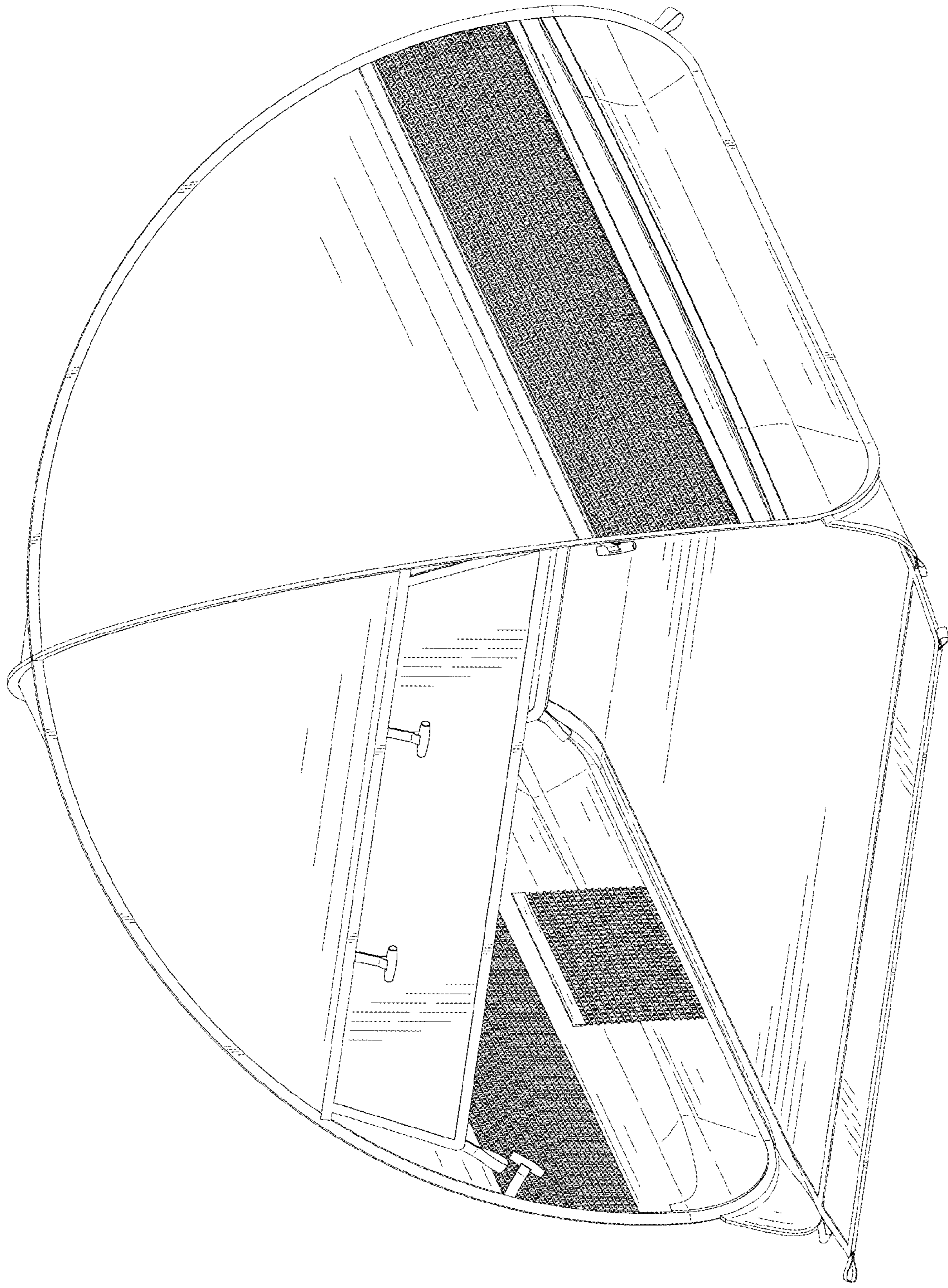


FIG. 1



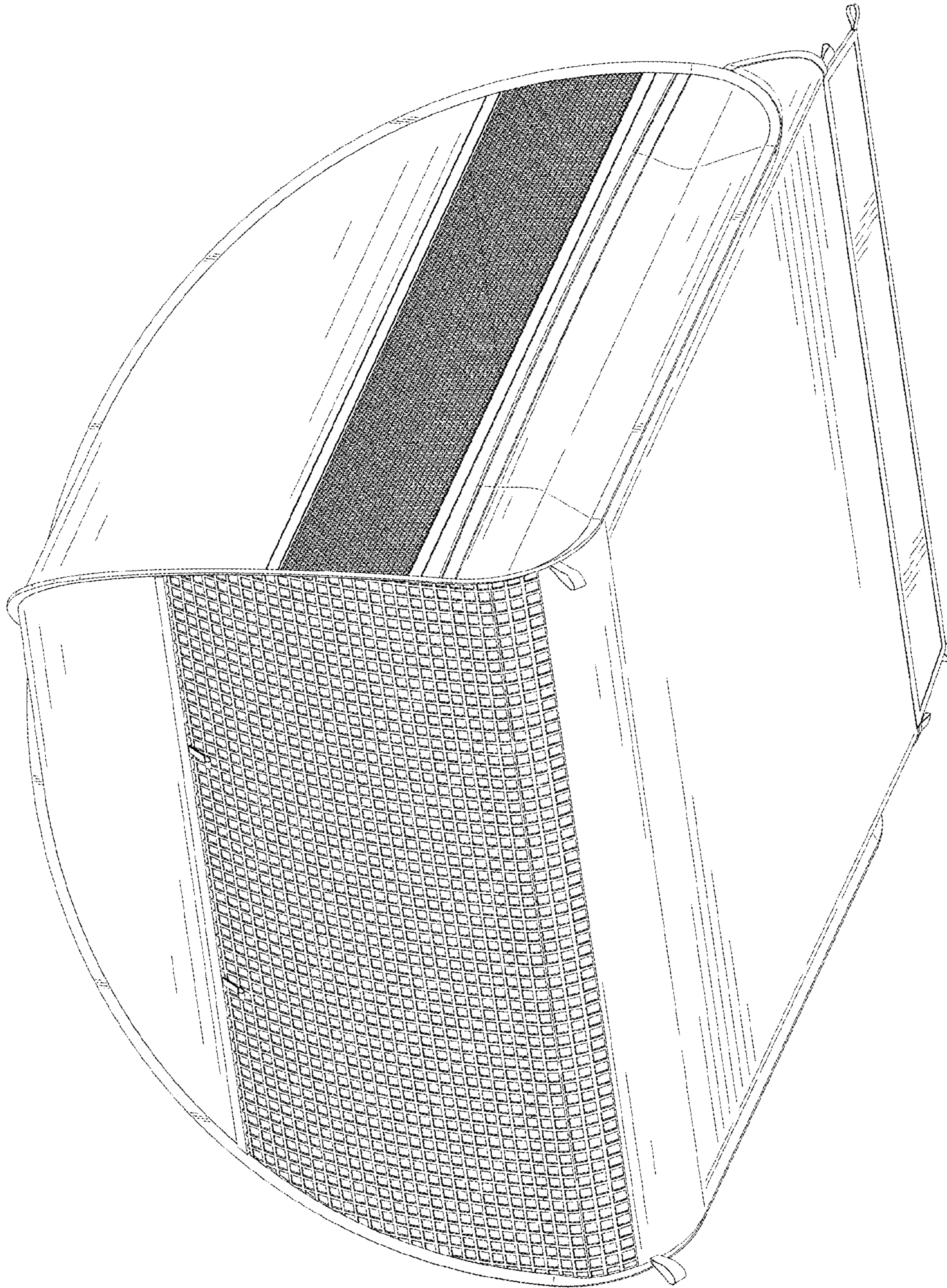


FIG. 2



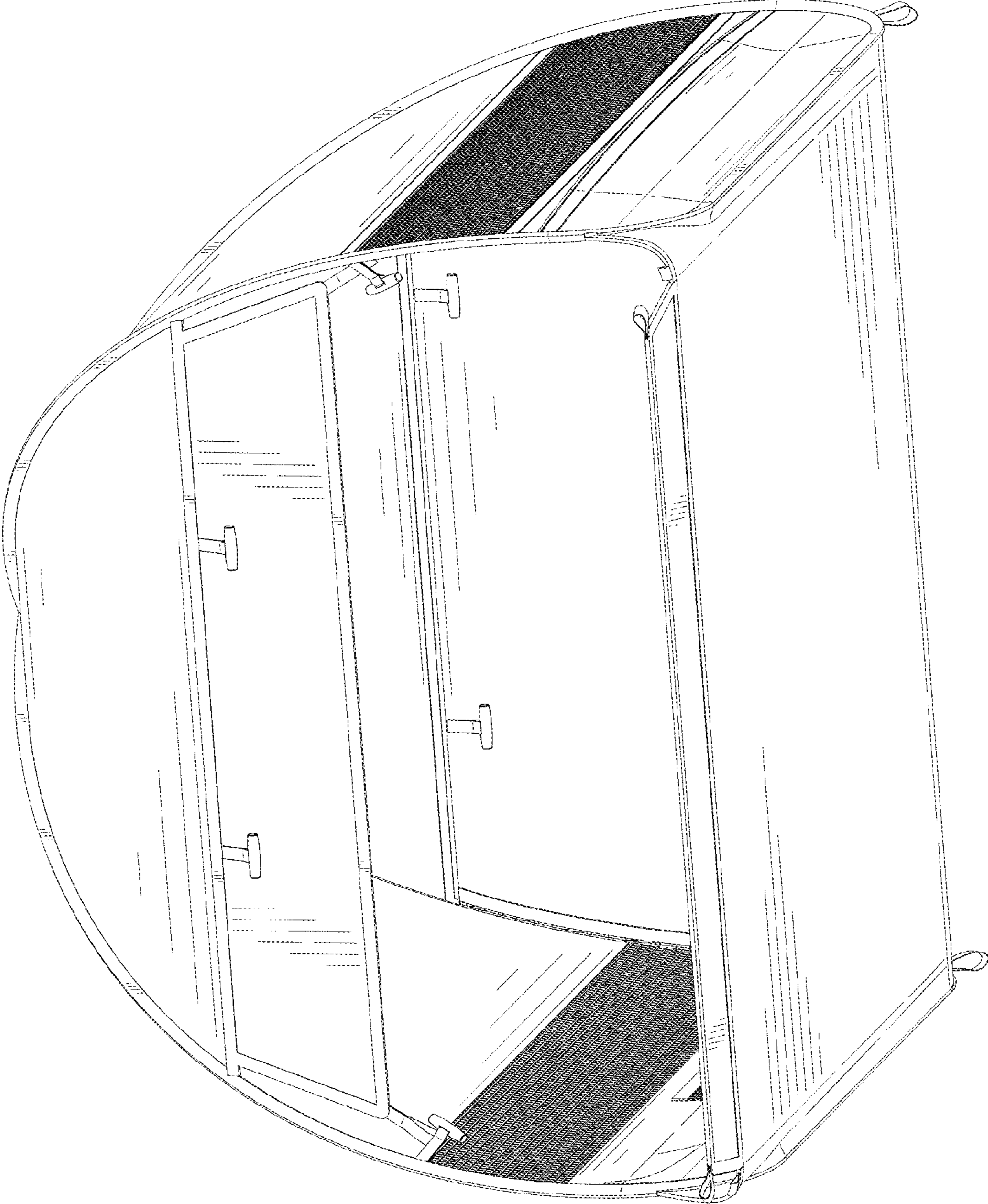


FIG. 3

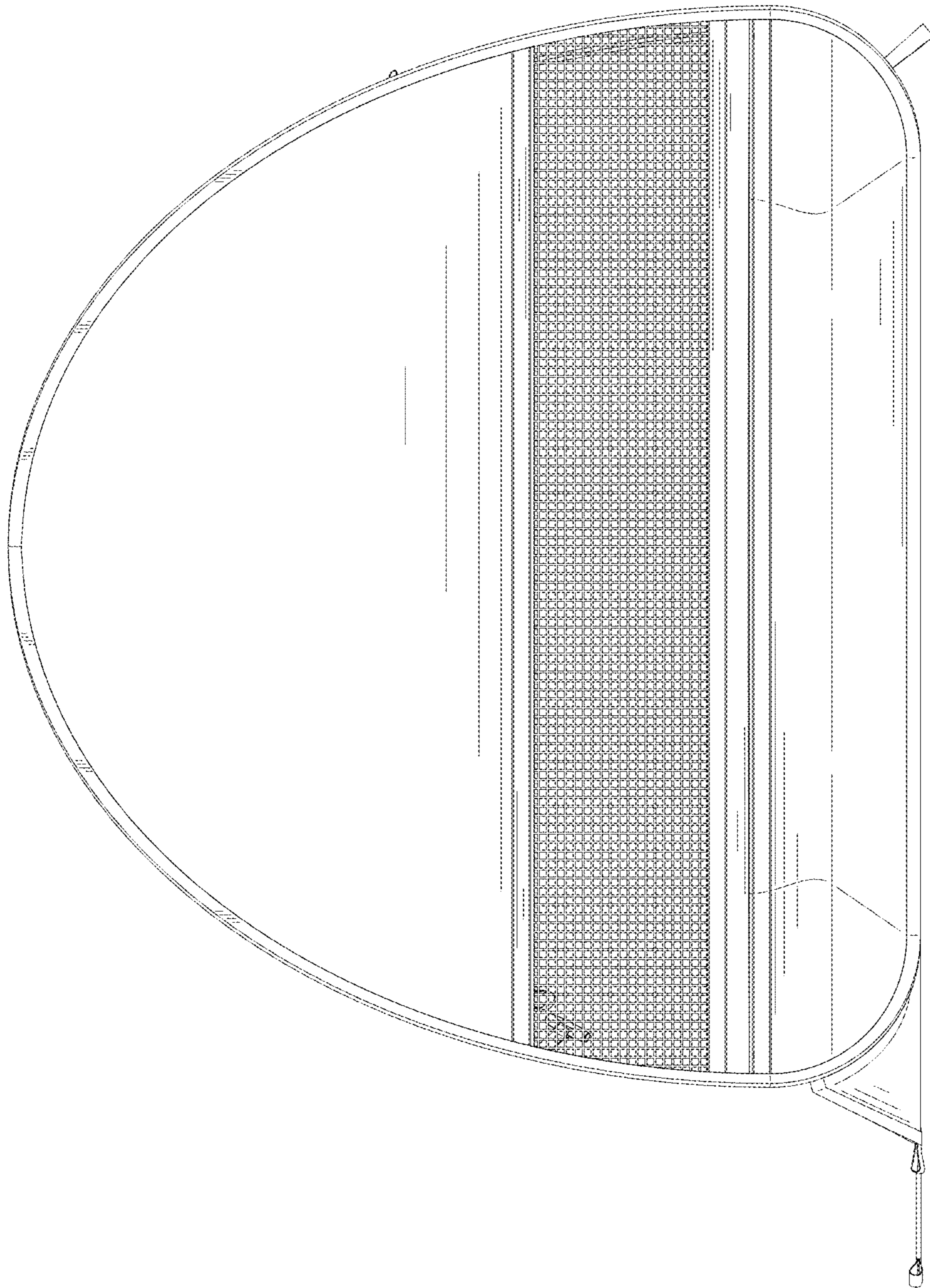


FIG. 4



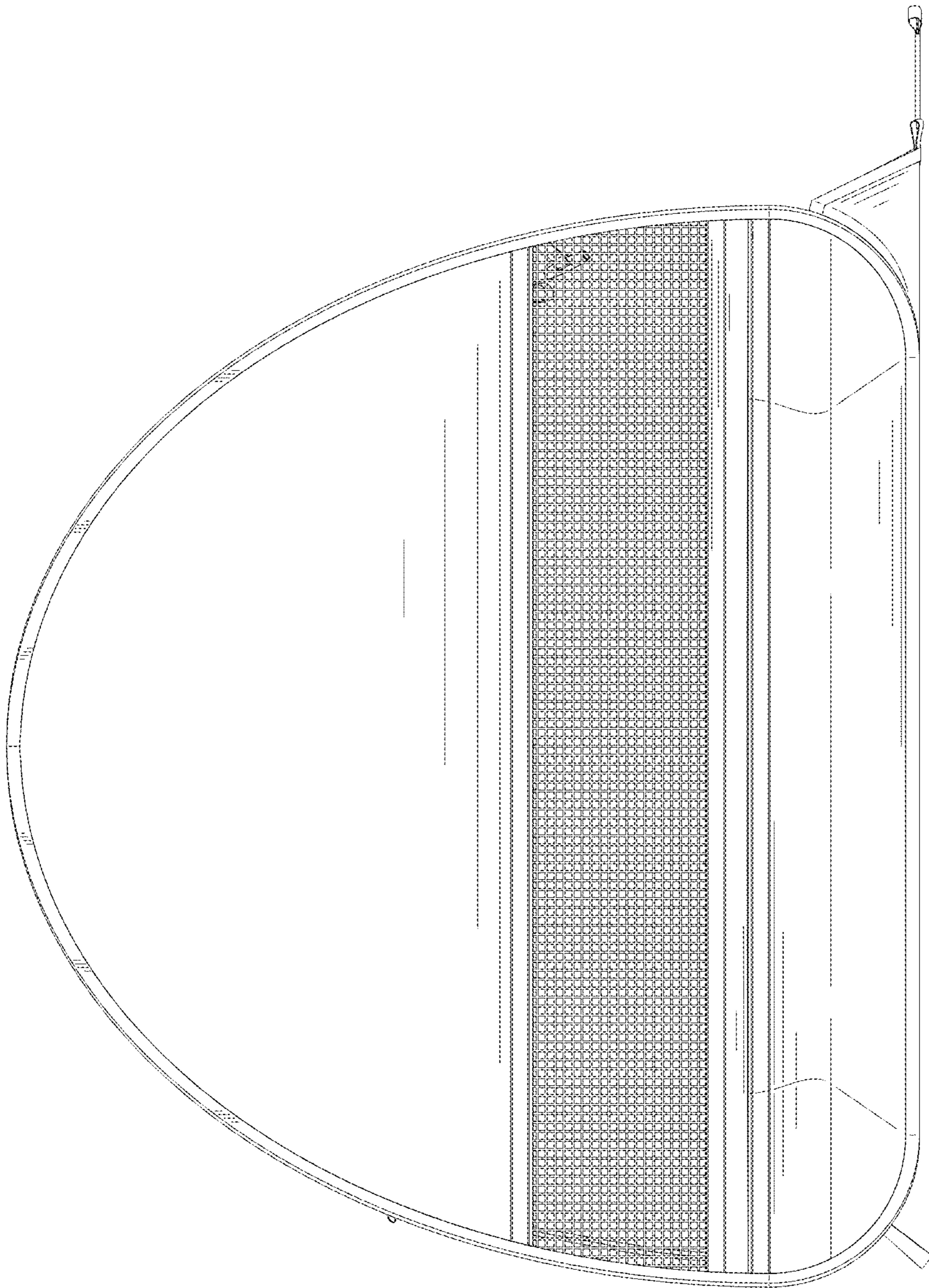


FIG. 5

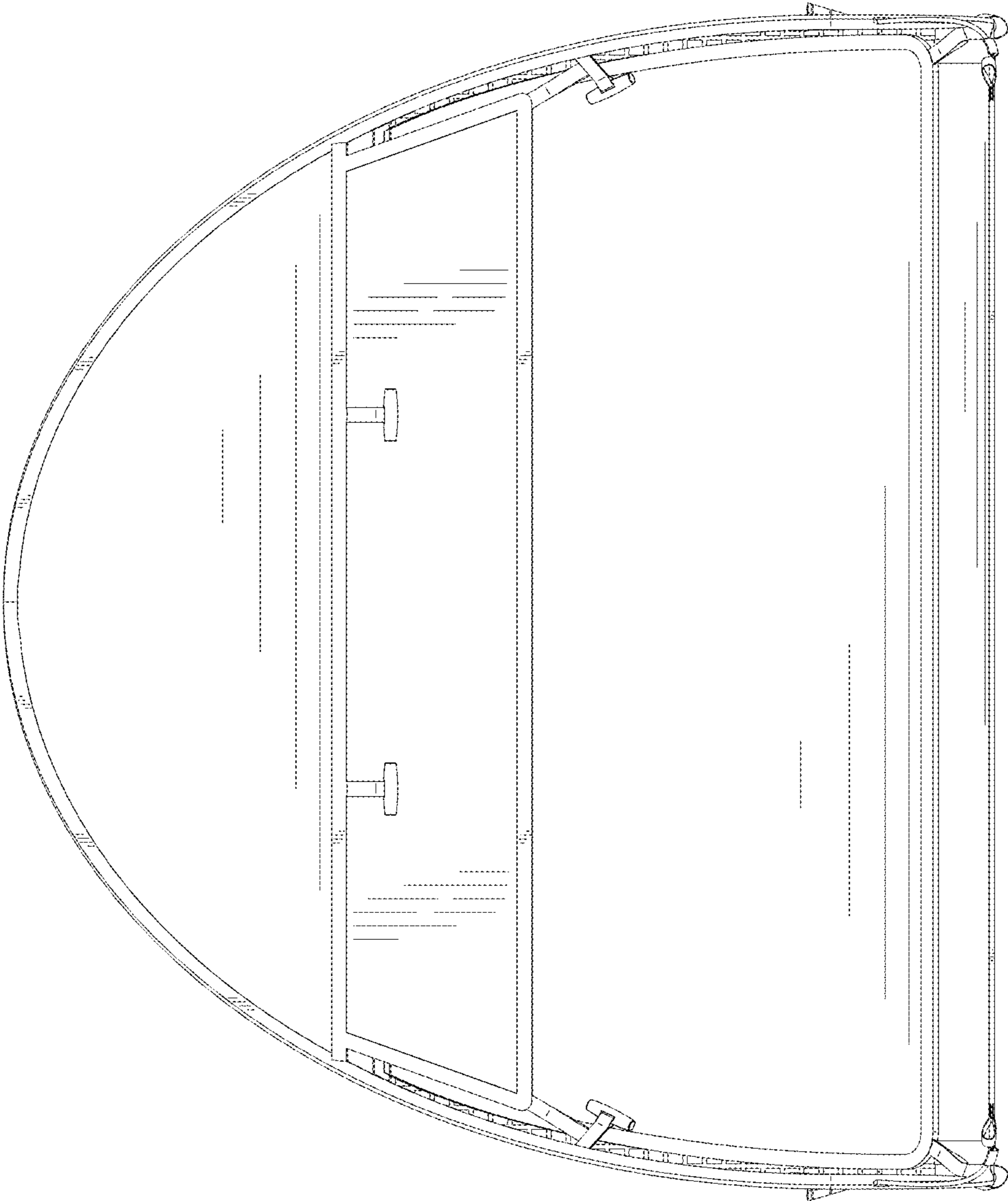


FIG. 6

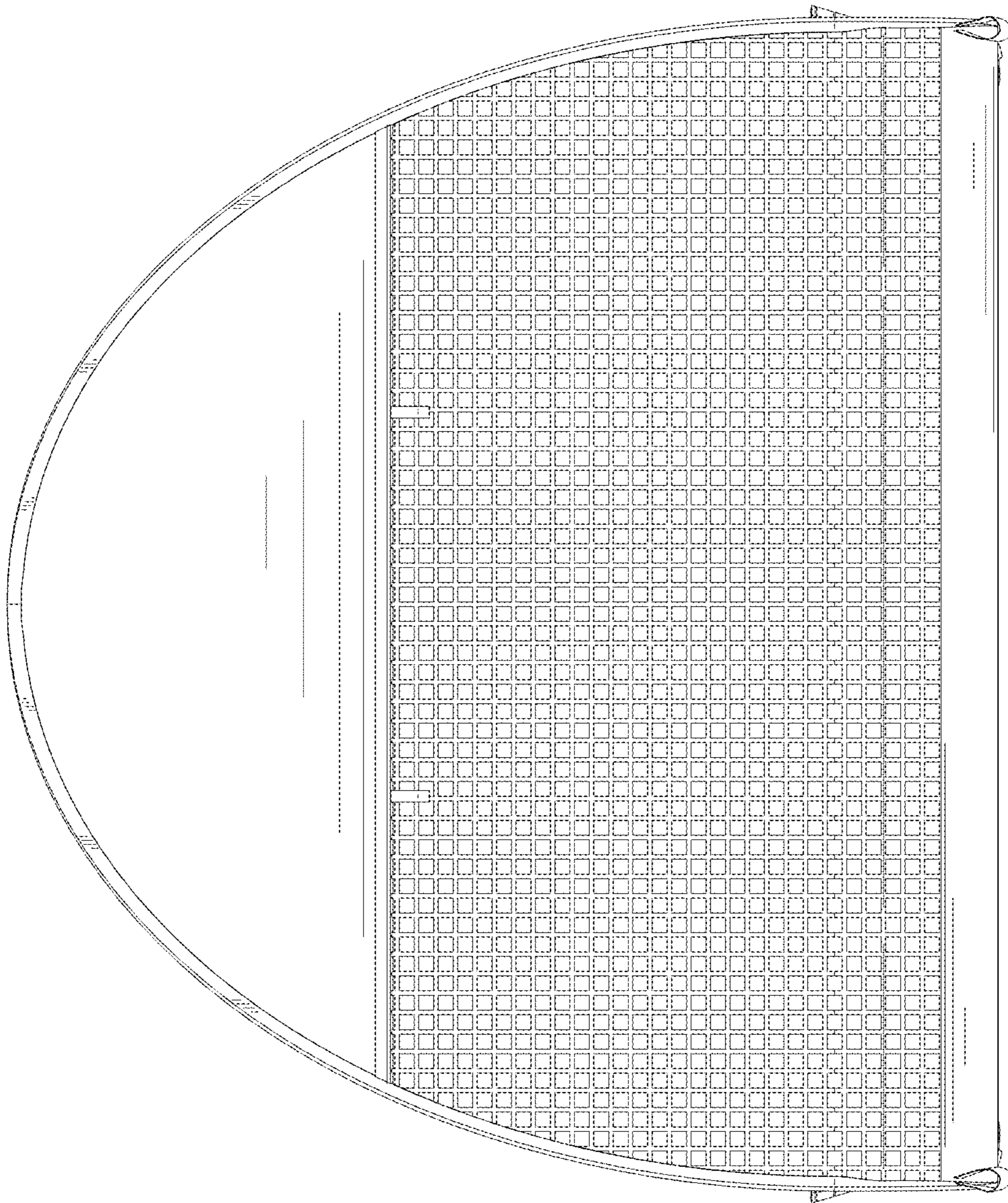


FIG. 7



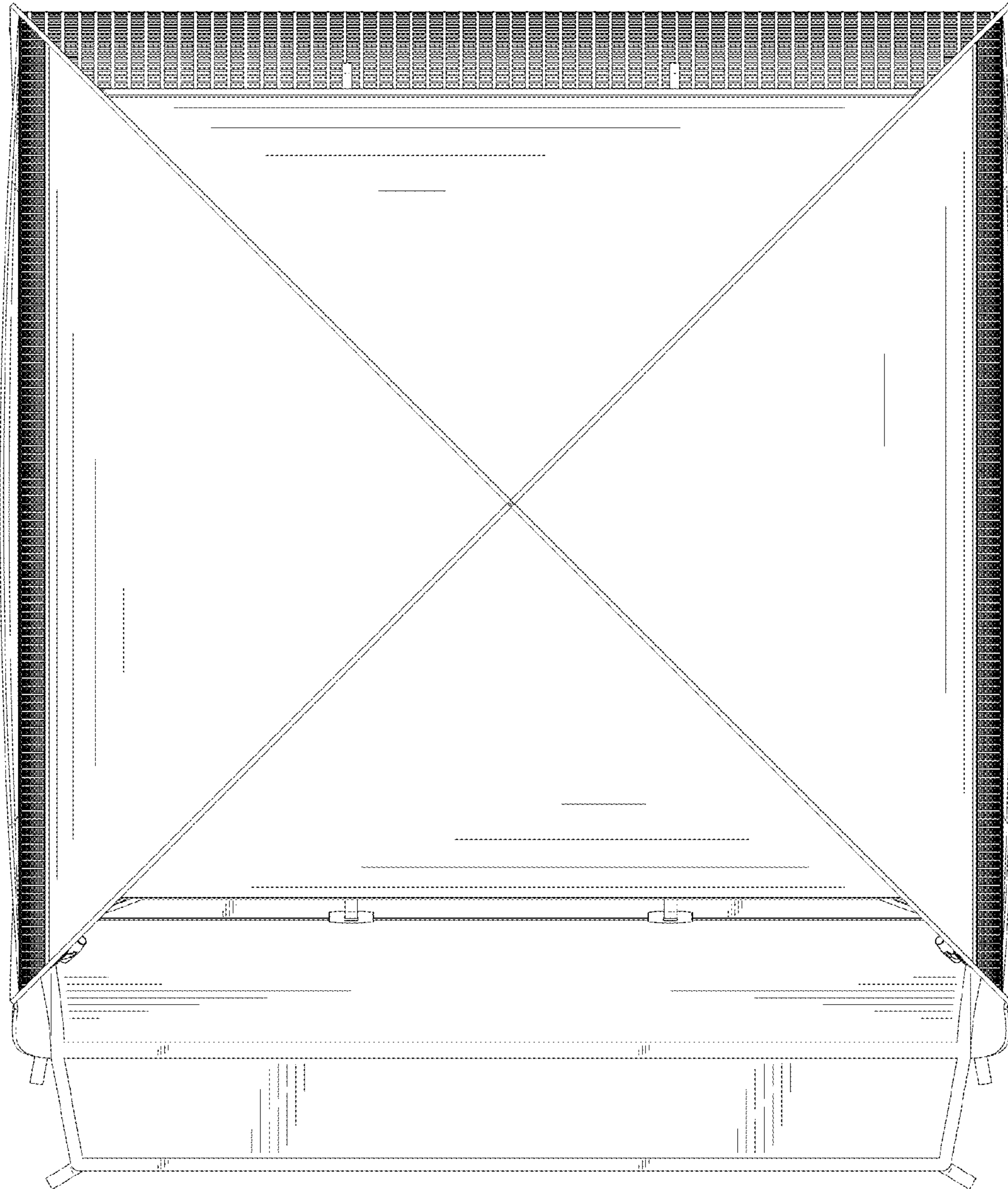


FIG. 8



FIG. 9



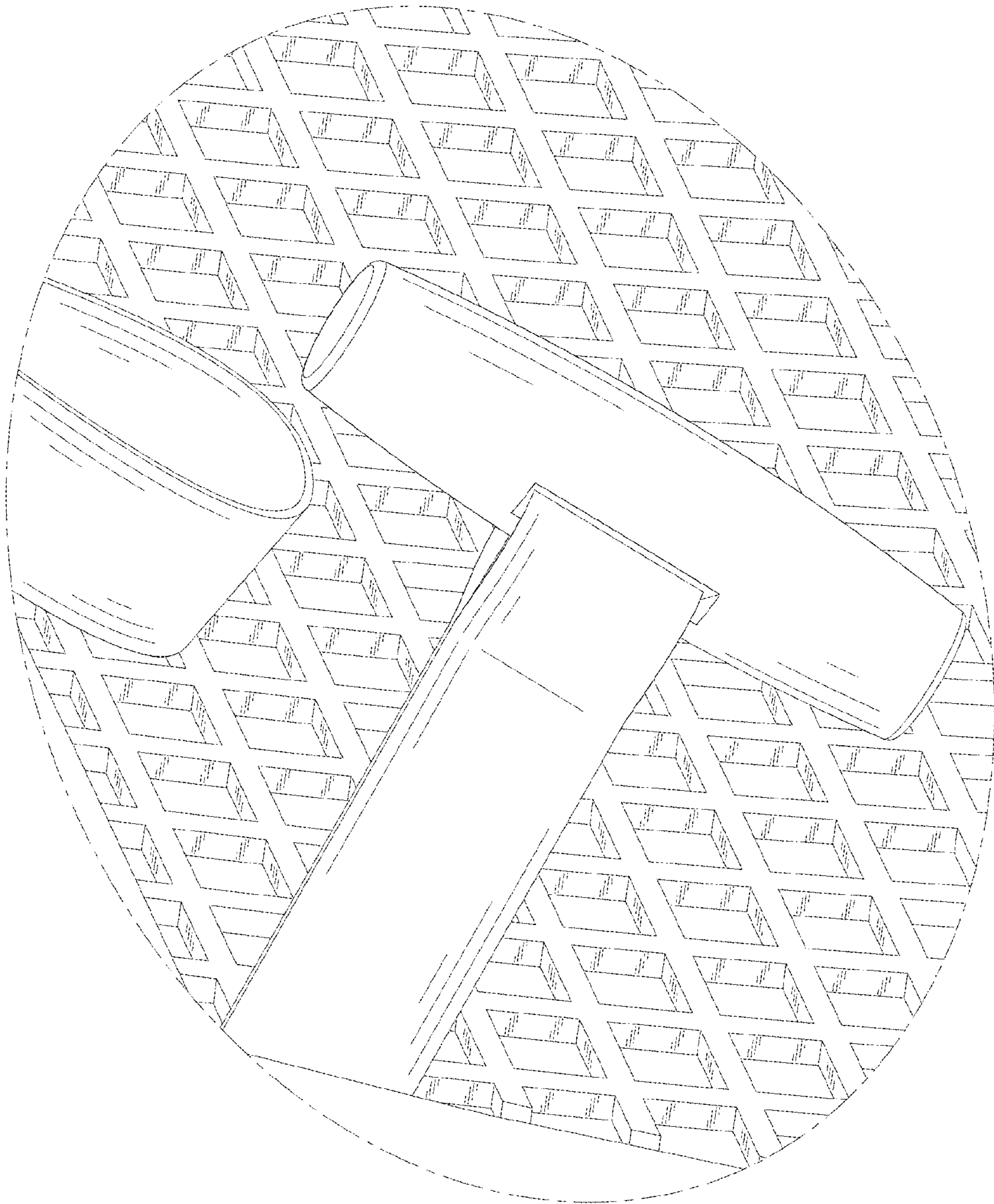


FIG. 10

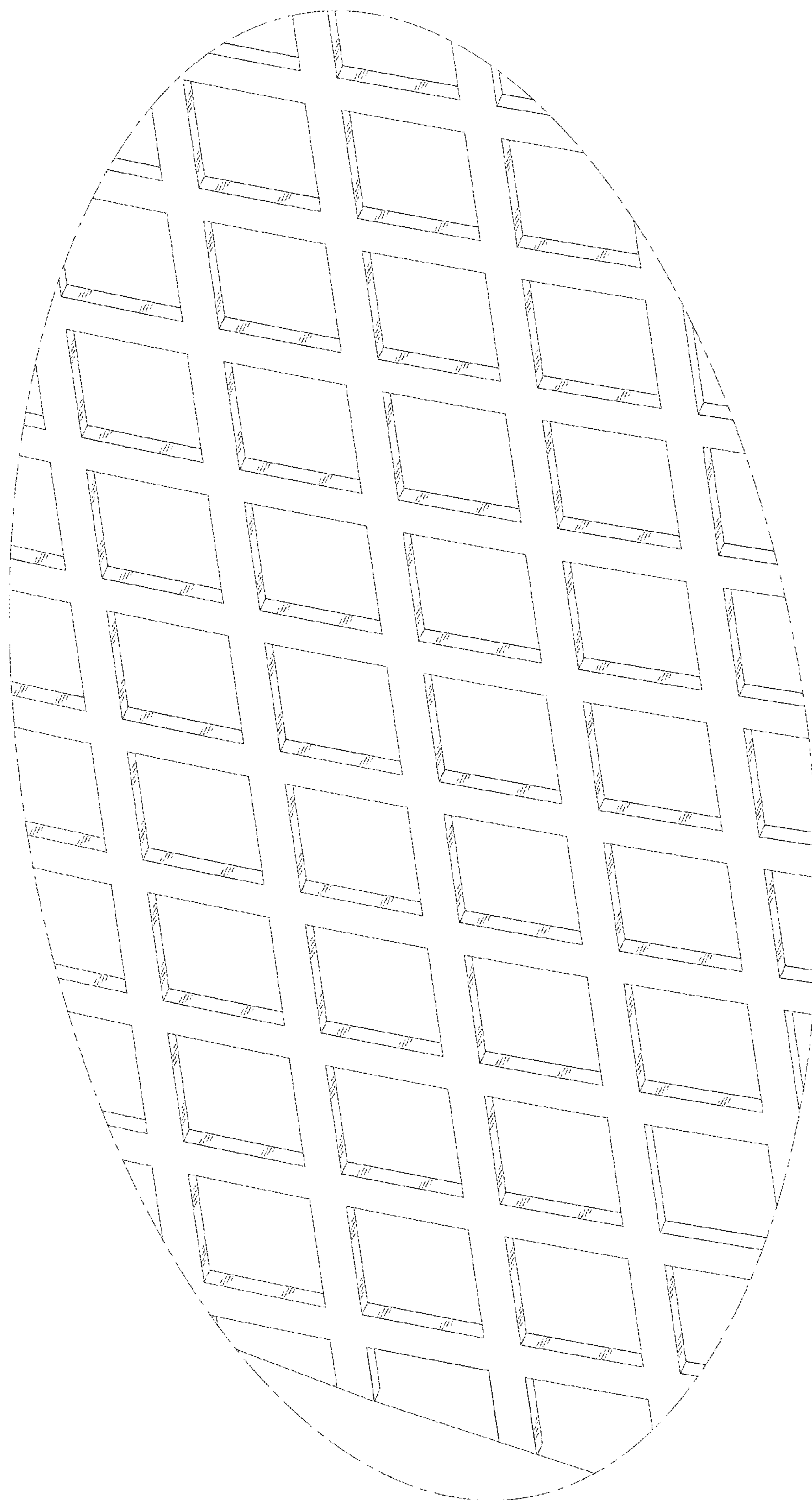


FIG. 11



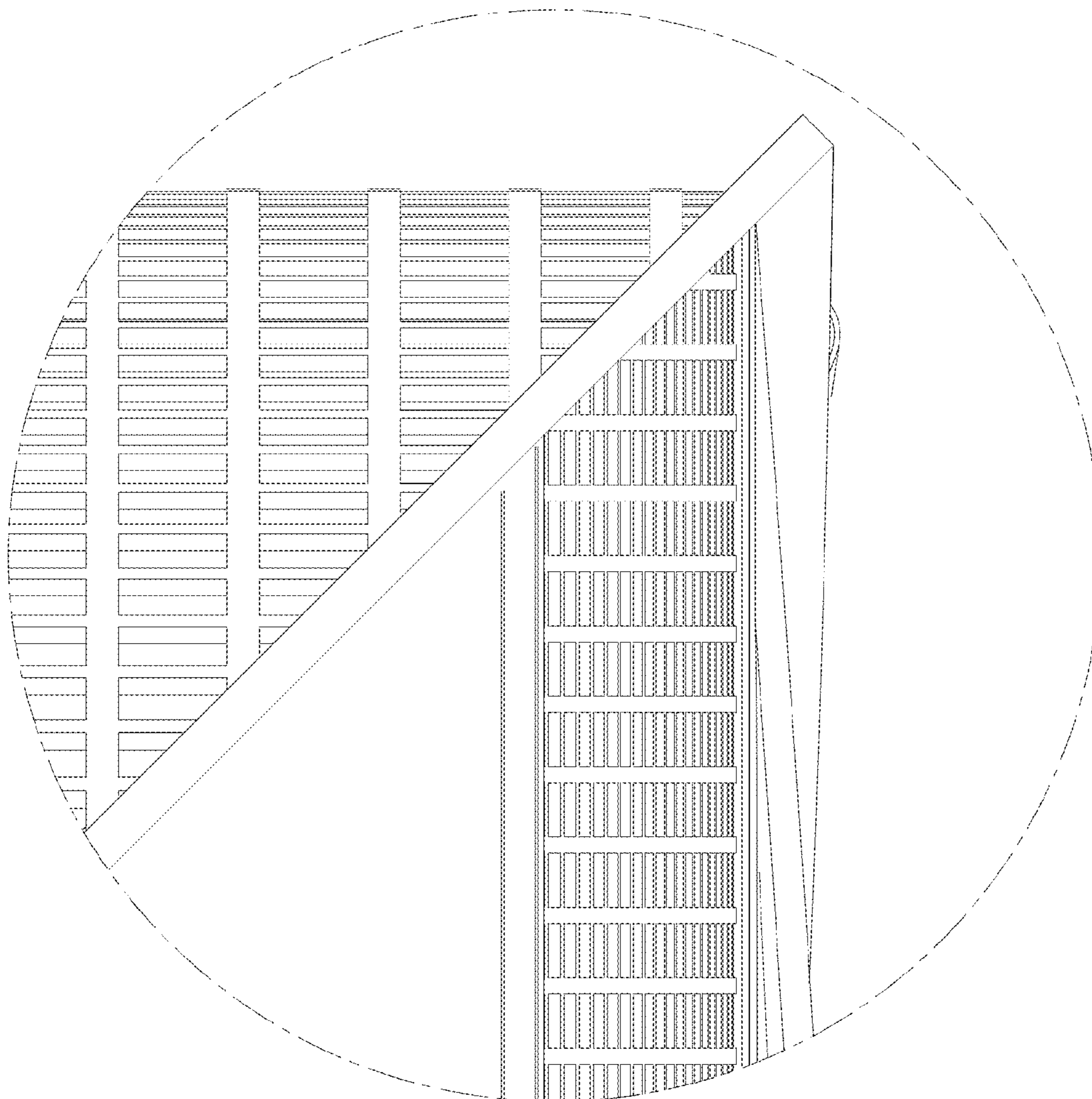


FIG. 12