



US00D955521S

(12) **United States Design Patent**  
**Cameron**

(10) **Patent No.:** **US D955,521 S**  
(45) **Date of Patent:** **\*\* Jun. 21, 2022**

- (54) **GOLF BALL MARKER**
- (71) Applicant: **Don T. Cameron**, Carlsbad, CA (US)
- (72) Inventor: **Don T. Cameron**, Carlsbad, CA (US)
- (73) Assignee: **Acushnet Company**, Fairhaven, MA (US)
- (\*\*) Term: **15 Years**
- (21) Appl. No.: **29/756,899**
- (22) Filed: **Oct. 30, 2020**
- (51) **LOC (13) Cl.** ..... **21-02**
- (52) **U.S. Cl.**  
USPC ..... **D21/794**
- (58) **Field of Classification Search**  
USPC ..... D21/789, 793, 794  
CPC ..... A63B 57/353; A63B 57/207; A63B 57/00;  
A63B 57/30; A63B 57/35; A63B 57/50  
See application file for complete search history.

D312,858 S \* 12/1990 Anderson ..... D21/746  
D331,611 S \* 12/1992 Gebhardt ..... D21/743  
5,356,133 A \* 10/1994 Bellagamba ..... A63B 57/207  
473/406

(Continued)

**OTHER PUBLICATIONS**

Golf ball marker google search; google.com; Apr. 14, 2022.\*  
(Continued)

*Primary Examiner* — Mitchell I. Siegel  
(74) *Attorney, Agent, or Firm* — Randy K. Chang

(57) **CLAIM**

The ornamental design for a golf ball marker, as shown and described.

**DESCRIPTION**

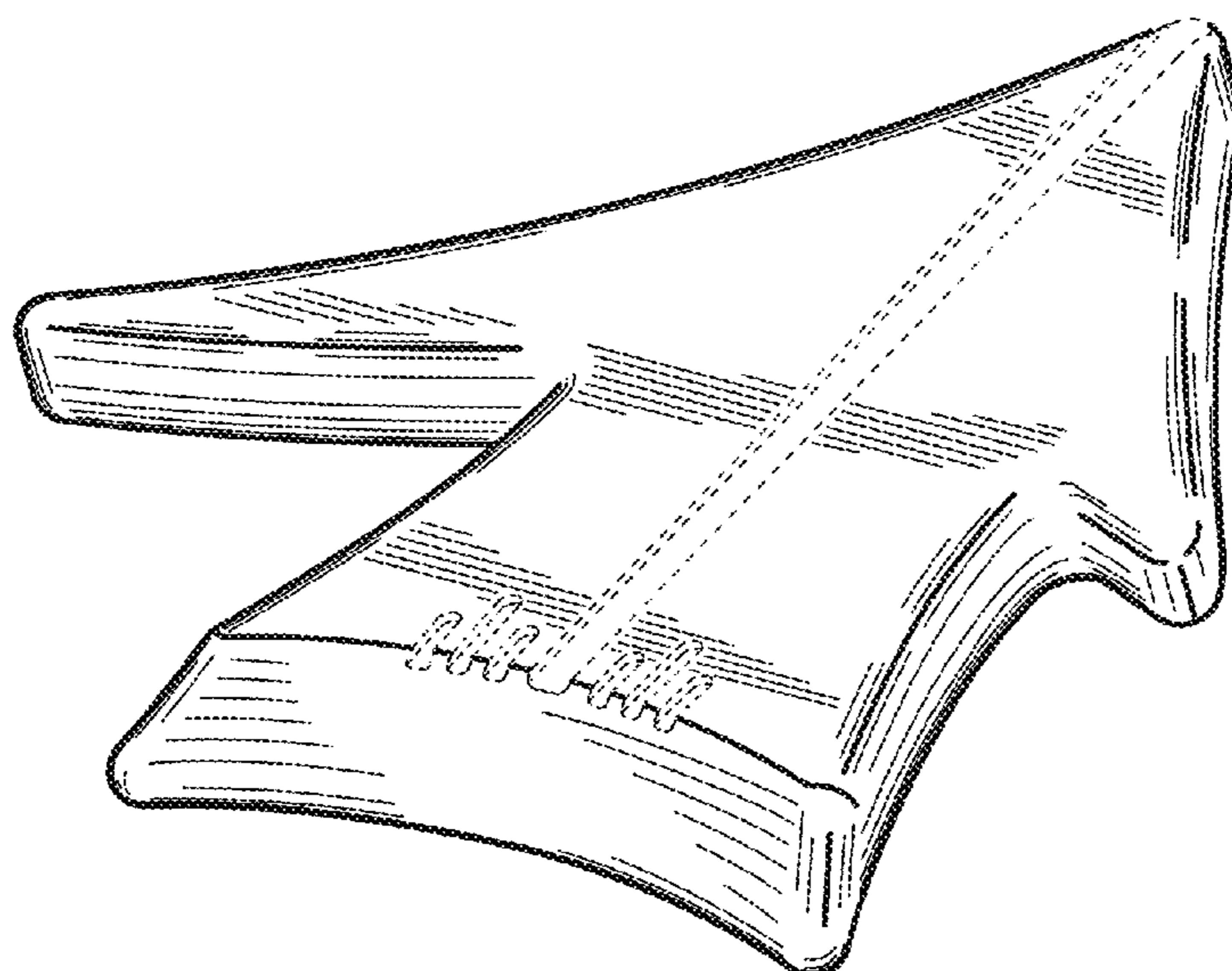
FIG. 1 is a perspective view of my new golf ball marker in accordance with a first embodiment of my invention showing my design;  
FIG. 2 is a left side view thereof;  
FIG. 3 is a top view thereof;  
FIG. 4 is a back view thereof;  
FIG. 5 is a frontal view thereof;  
FIG. 6 is a bottom side view thereof; and  
FIG. 7 is a left view thereof;  
FIG. 8 is a perspective view of my new golf ball marker in accordance with a second embodiment of my invention showing my design;  
FIG. 9 is a right-side view thereof;  
FIG. 10 is a top view thereof;  
FIG. 11 is a back view thereof;  
FIG. 12 is a frontal view thereof;  
FIG. 13 is a bottom side view thereof; and,  
FIG. 14 is a right view thereof.  
The broken line shown on the drawings form no part of the claimed design.

(56) **References Cited**

**U.S. PATENT DOCUMENTS**

1,484,064	A *	2/1924	Taylor	.....	A63B 57/00	473/218
2,107,944	A	2/1938	Howard			
D158,622	S *	5/1950	Sherwin	.....	D21/791	
D169,125	S	3/1953	Cheresh			
2,710,757	A *	6/1955	Chong	.....	A63B 69/36	473/257
3,041,071	A	6/1962	Fialon			
3,347,551	A *	10/1967	Dreyfus	.....	A63B 57/10	473/257
3,850,434	A	11/1974	Ockenfels			
D244,397	S *	5/1977	Graham	.....	D21/791	
D248,050	S *	5/1978	Muehl	.....	473/249	
4,138,117	A *	2/1979	Dalton	.....	A63B 53/0487	473/255
4,521,018	A	6/1985	Cotchonis			
D285,818	S *	9/1986	Moore	.....	D21/741	
D293,261	S *	12/1987	Sadowski	.....	D21/794	

**1 Claim, 6 Drawing Sheets**



(56)

References Cited

U.S. PATENT DOCUMENTS

5,437,446 A 8/1995 Youngkin  
 5,476,258 A 12/1995 Frisone  
 D385,939 S \* 11/1997 Suk ..... D21/794  
 D405,858 S 2/1999 Wolff  
 D411,276 S \* 6/1999 Rosenfeld ..... D21/789  
 D428,954 S \* 8/2000 Tate ..... D21/793  
 D462,102 S 8/2002 Urbik  
 D490,133 S \* 5/2004 Hadala ..... D21/717  
 6,739,980 B2 5/2004 Scott et al.  
 D516,657 S \* 3/2006 Caramico ..... D21/793  
 D520,588 S \* 5/2006 Morgan ..... D21/794  
 D533,460 S 12/2006 Terrasi  
 D537,137 S \* 2/2007 Sheehan ..... D21/746  
 D583,893 S \* 12/2008 Ruff ..... D21/794  
 D616,953 S 6/2010 Shinki  
 D619,666 S \* 7/2010 DePaul ..... D21/743  
 D622,799 S 8/2010 Cameron  
 8,303,434 B1 \* 11/2012 DePaul ..... A63B 53/0487  
 473/341

D925,678 S \* 7/2021 Cameron ..... D21/759  
 D937,375 S \* 11/2021 Cameron ..... D21/794  
 2005/0026727 A1 \* 2/2005 Barouh ..... A63B 69/3676  
 473/406  
 2009/0305817 A1 12/2009 Cameron  
 2009/0305818 A1 12/2009 Cameron

OTHER PUBLICATIONS

Arrow shaped golf ball marker search; google.com; Apr. 14, 2022.\*  
 "PUTTING TOOLS" from Golf by Colors, www.puttingtool.com/  
 live/, 2 pages, Apr. 30, 2009.  
 "Using Your Ball Marker," www.vbsa.org.au/Referees, 2 pages,  
 Jun. 3, 2008.  
 "Tools of the Trade," www.prosnookerref.co.uk/tools\_of\_the\_trade.  
 php, 2 pages, 2006.  
 "Image Gallery," www.prosnookerref.co.uk/images.php, 3 pages,  
 2006.  
 U.S. Appl. No. 29/718,013, filed Dec. 20, 2019, Don T Cameron.

\* cited by examiner

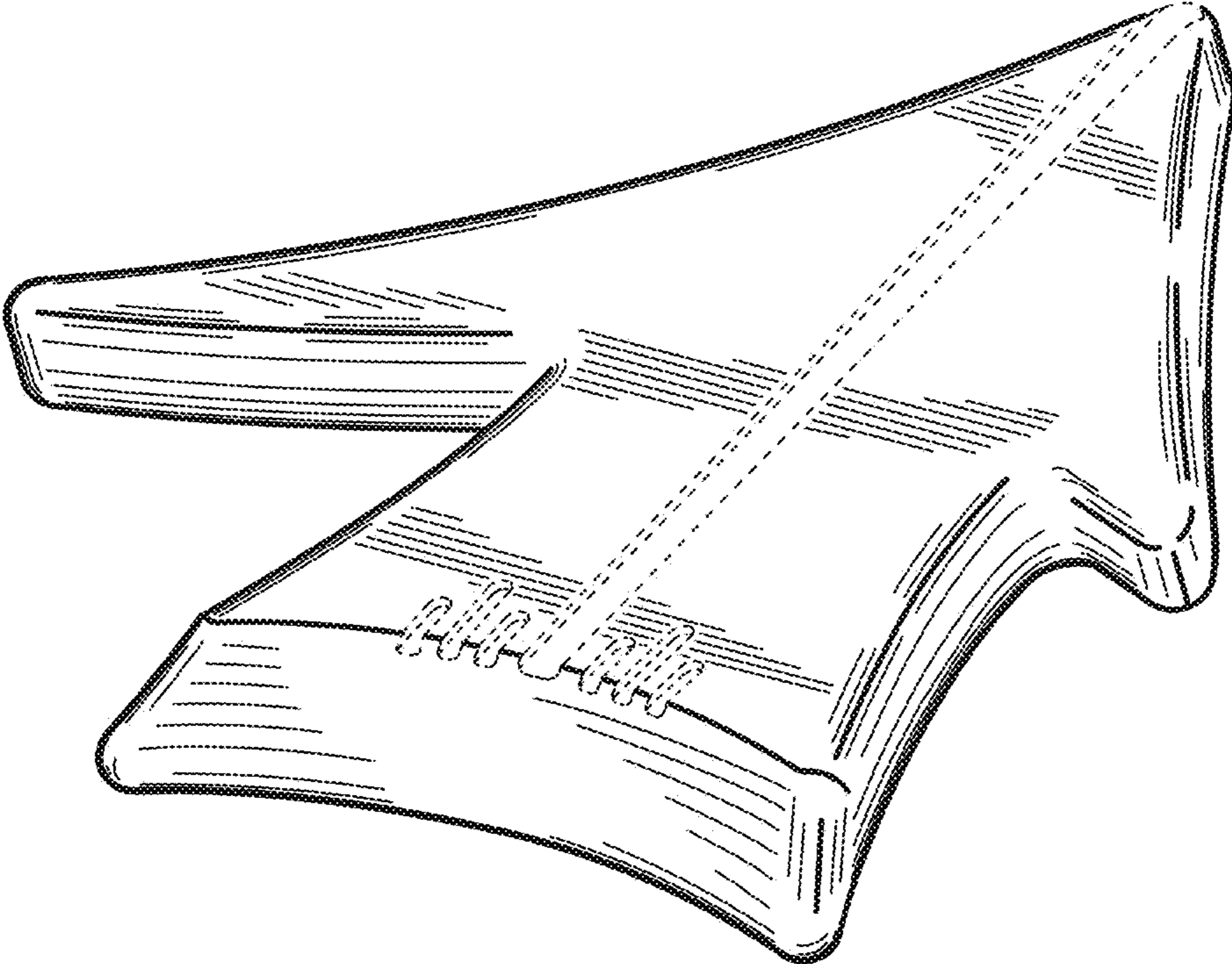


FIG. 1



FIG. 2

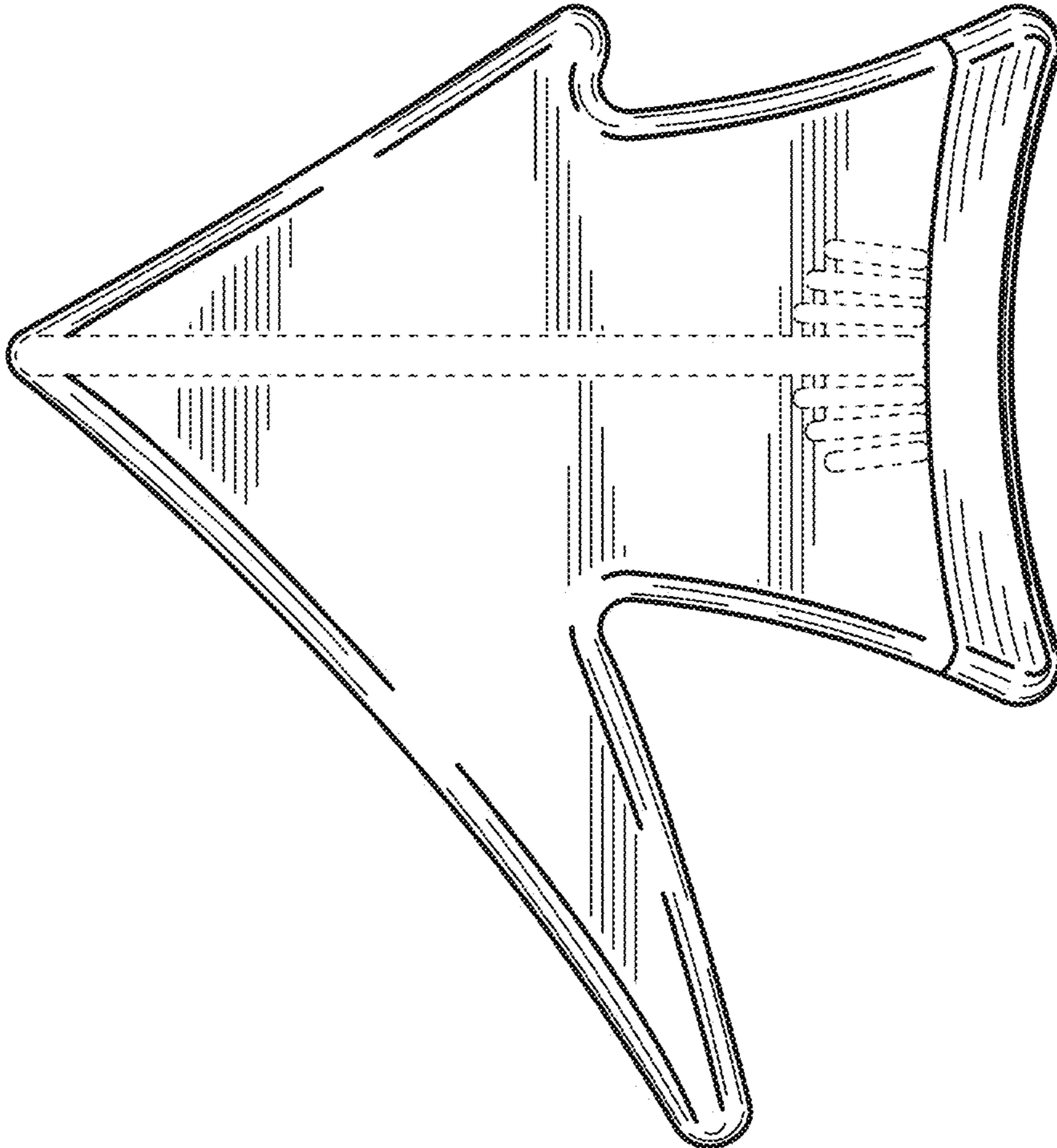


FIG. 3



FIG. 4

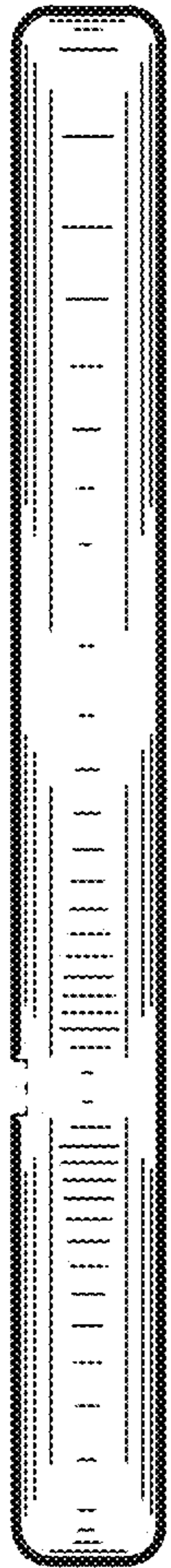


FIG. 5

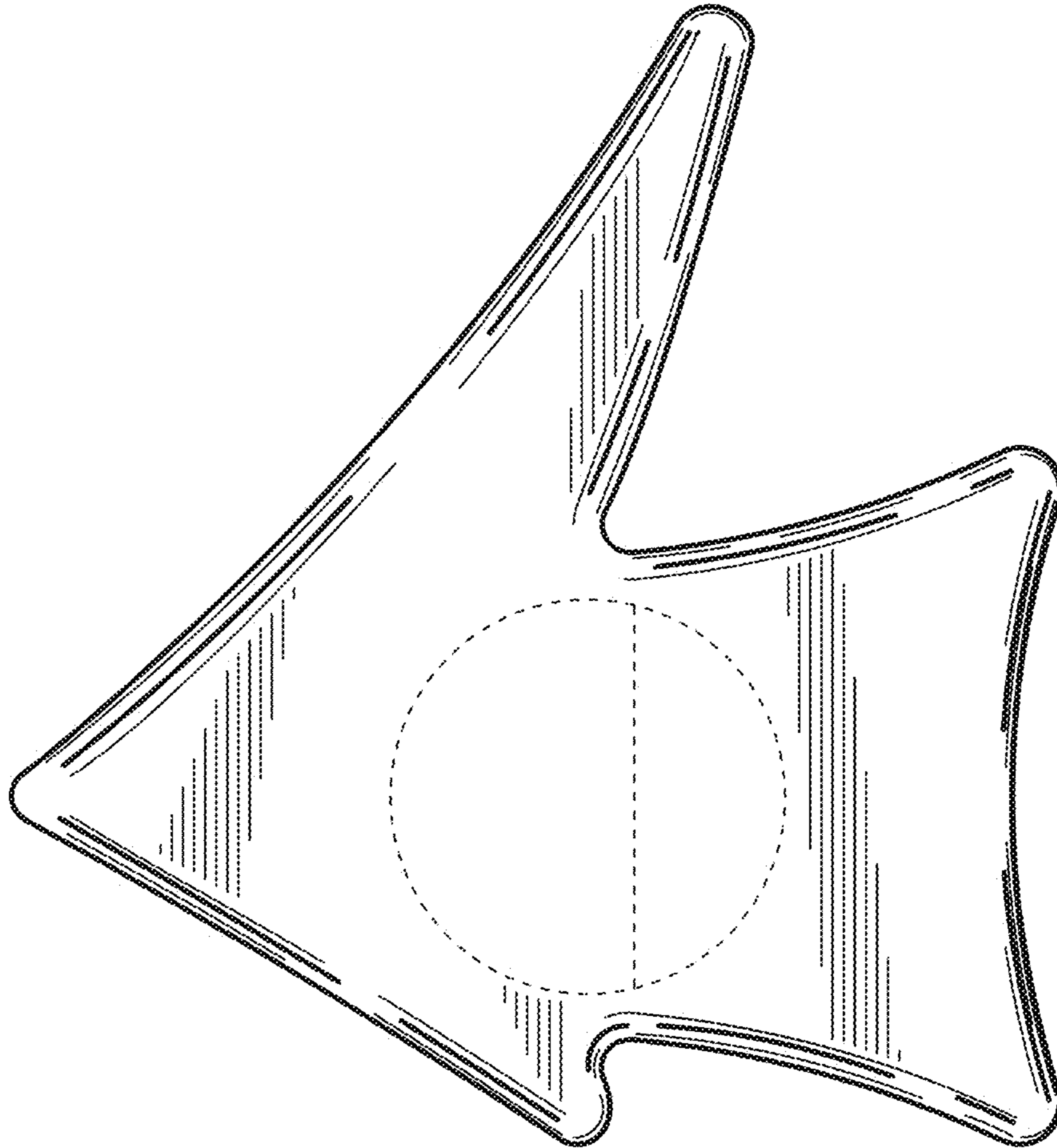


FIG. 7

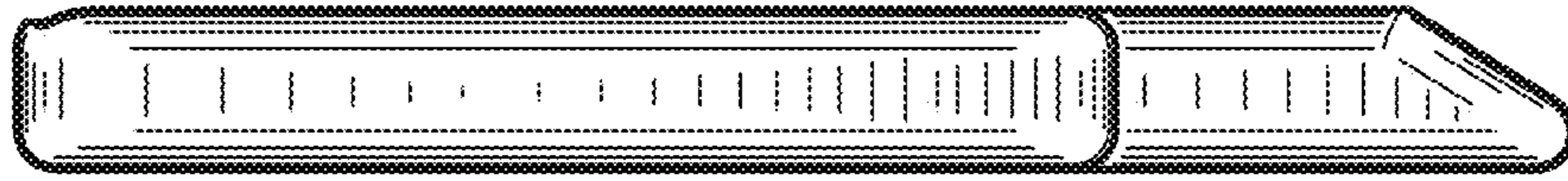


FIG. 6

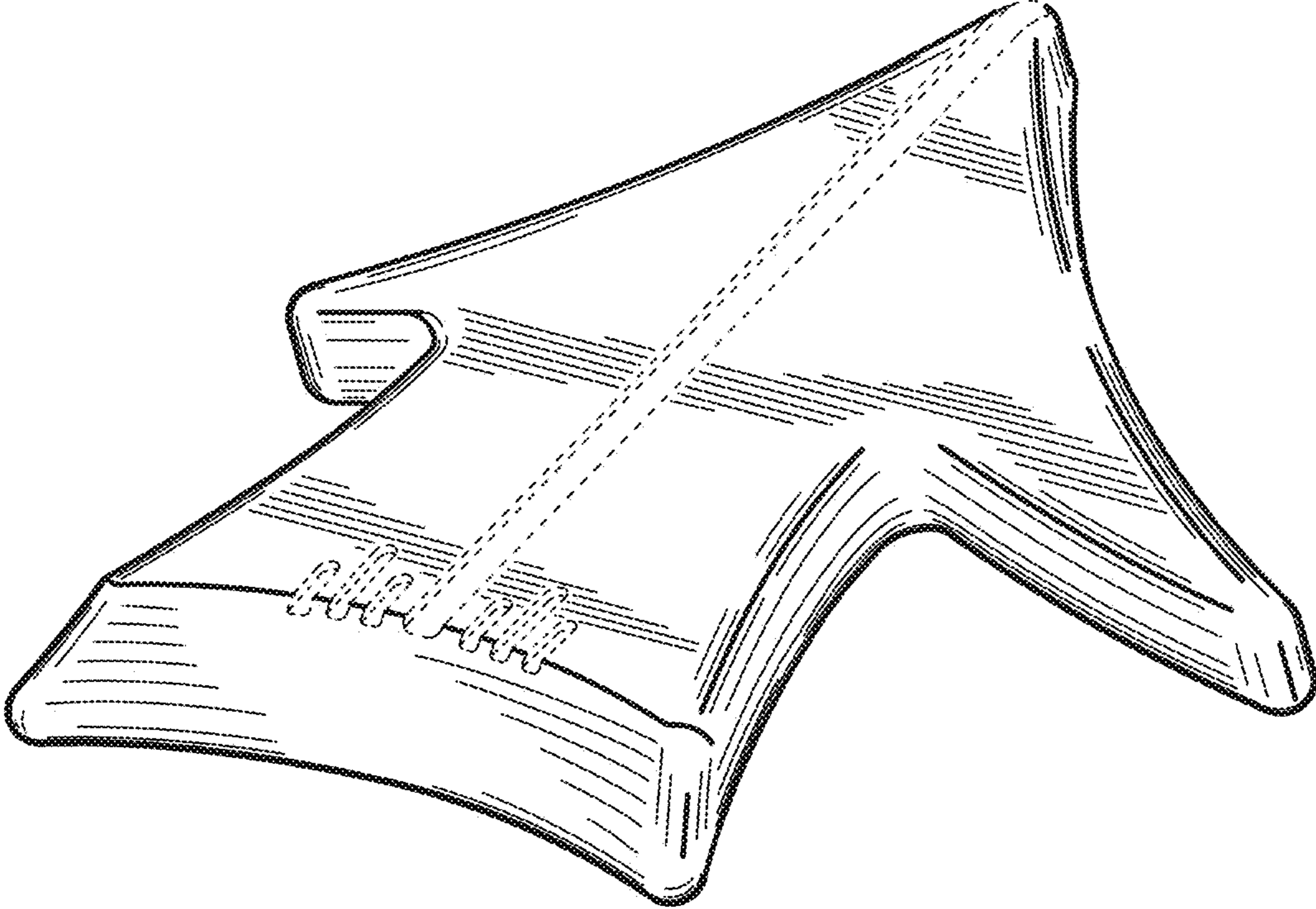


FIG. 8

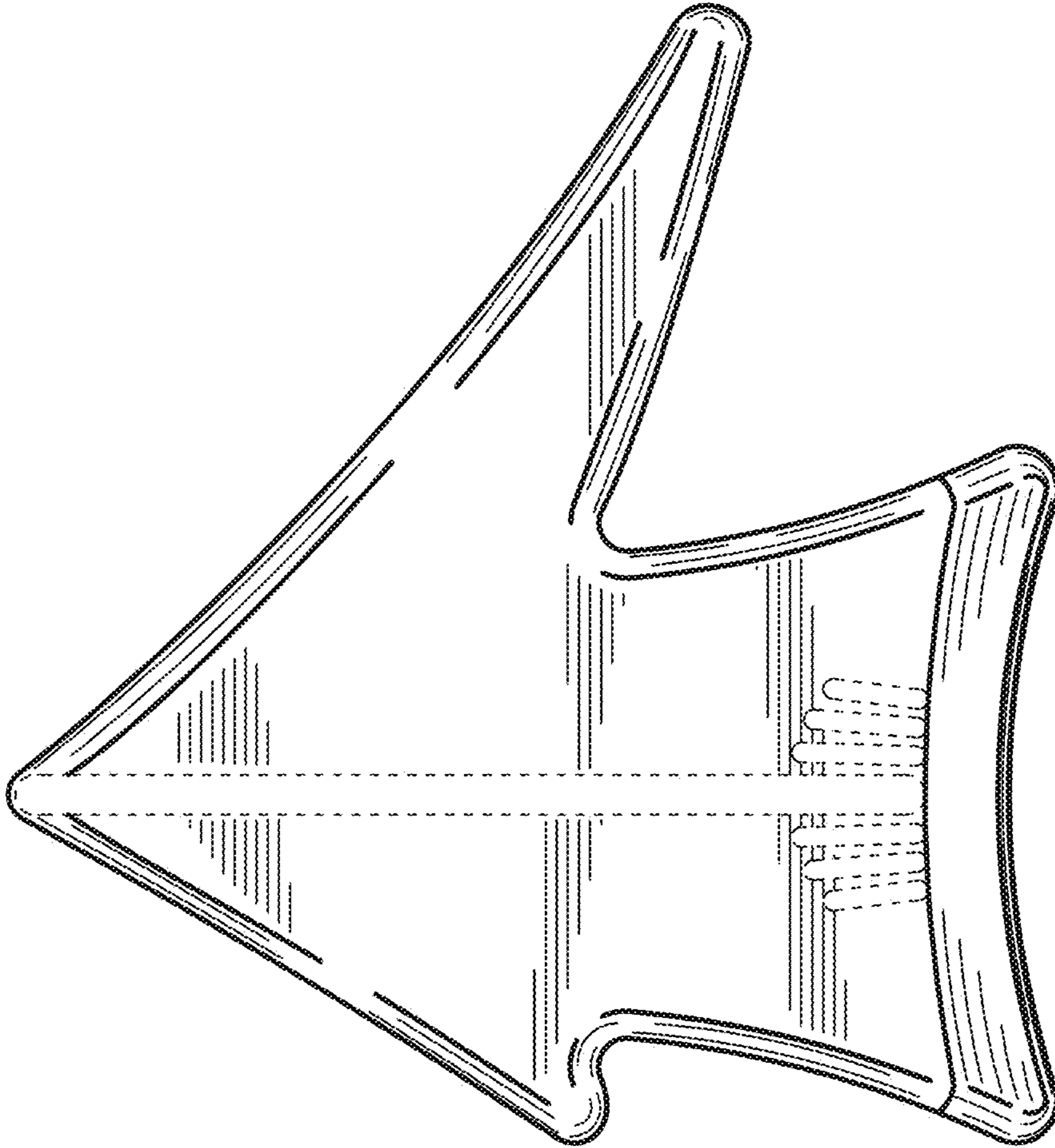


FIG. 9



FIG. 10



FIG. 11

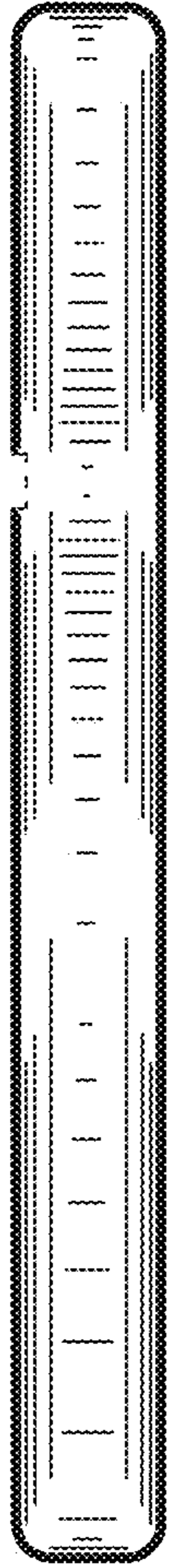


FIG. 12

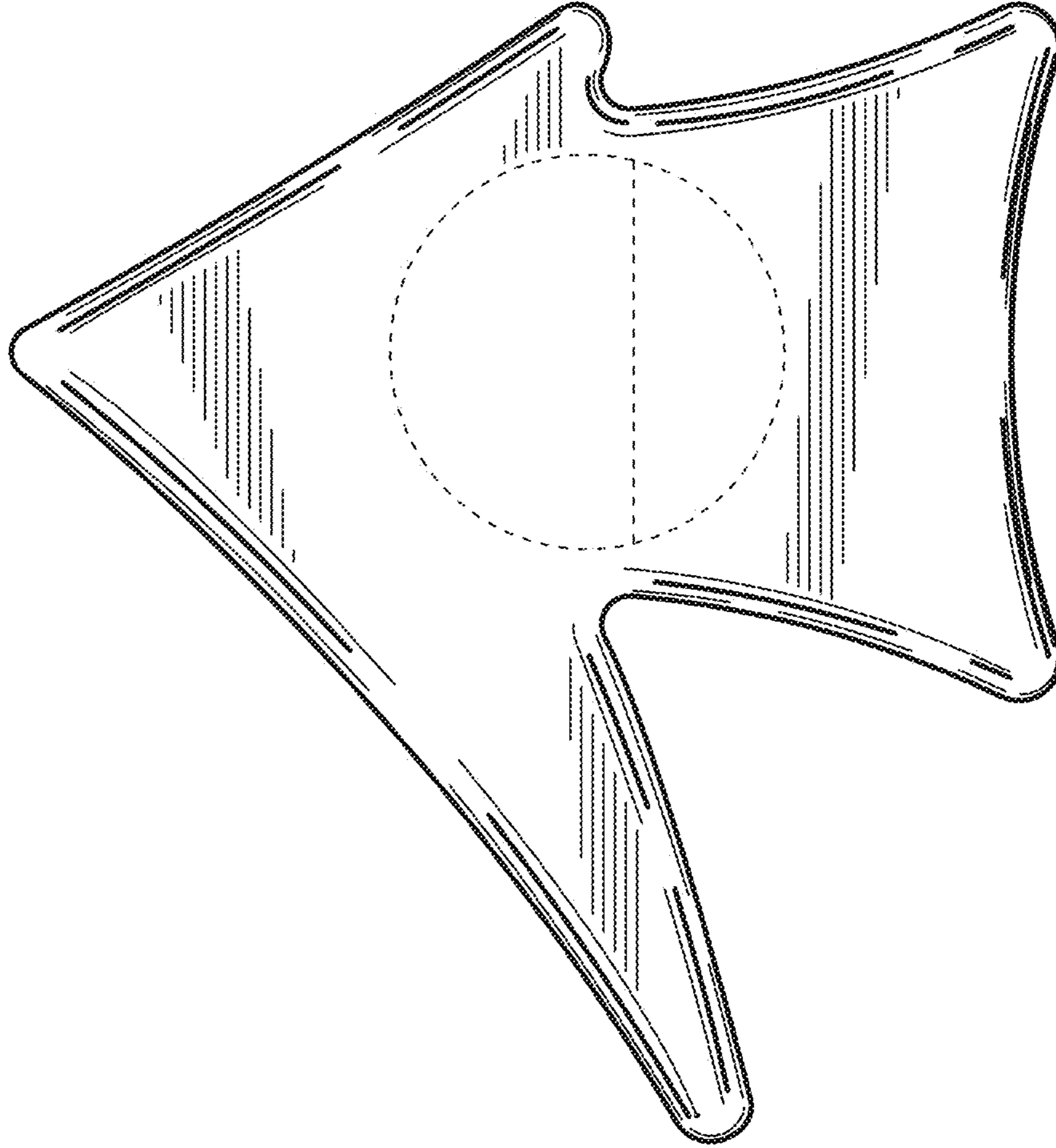


FIG. 14

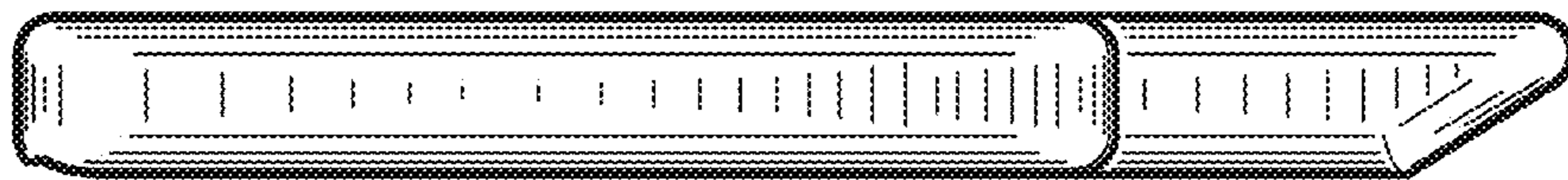


FIG. 13