



US00D955520S

(12) **United States Design Patent** (10) **Patent No.:** **US D955,520 S**
Engler et al. (45) **Date of Patent:** **** Jun. 21, 2022**

(54) **SWING TRAINING HEAD**
(71) Applicant: **P&P IMPORTS LLC**, Irvine, CA (US)
(72) Inventors: **Peter Engler**, Newport Beach, CA (US); **Peter Tanoury**, Newport Beach, CA (US); **Willis Santamaria**, Diamond Bar, CA (US)
(**) Term: **15 Years**
(21) Appl. No.: **29/749,441**
(22) Filed: **Sep. 4, 2020**
(51) **LOC (13) Cl.** **21-02**
(52) **U.S. Cl.**
USPC **D21/791**
(58) **Field of Classification Search**
USPC D21/789, 791
CPC . A63B 69/36; A63B 69/3632; A63B 69/3614;
A63B 69/3623; A63B 69/3638
See application file for complete search history.

(56) **References Cited**
U.S. PATENT DOCUMENTS
D237,515 S * 11/1975 Thiel D21/680
4,664,388 A * 5/1987 Huber A63B 67/20
473/138
5,026,064 A * 6/1991 Novosel A63B 69/3655
473/409
D326,493 S * 5/1992 Perry D21/791
D329,268 S * 9/1992 Perry D21/791
D405,859 S * 2/1999 Thompson D21/791
D426,607 S * 6/2000 Wurster D21/791
D432,613 S * 10/2000 Lewallen, Jr. D21/791
D457,929 S * 5/2002 Ciesar D21/725
D486,198 S * 2/2004 Rohan-Weaver D21/791
D490,492 S * 5/2004 Nemeckay D21/791
6,955,610 B1 * 10/2005 Czaja A63B 15/005
473/226
D603,924 S * 11/2009 Troutman D21/791

D627,414 S * 11/2010 Masuda D21/725
D640,764 S * 6/2011 Ikeda D21/791
8,540,584 B1 * 9/2013 Sorenson A63B 69/0002
473/219
D769,390 S * 10/2016 Wang D21/791
(Continued)

OTHER PUBLICATIONS

Google search of “swing training head”; google.com; Feb. 17, 2022.*

(Continued)

Primary Examiner — Mitchell I. Siegel
(74) *Attorney, Agent, or Firm* — Casey H. Kempner;
Siamak S. Hefazi

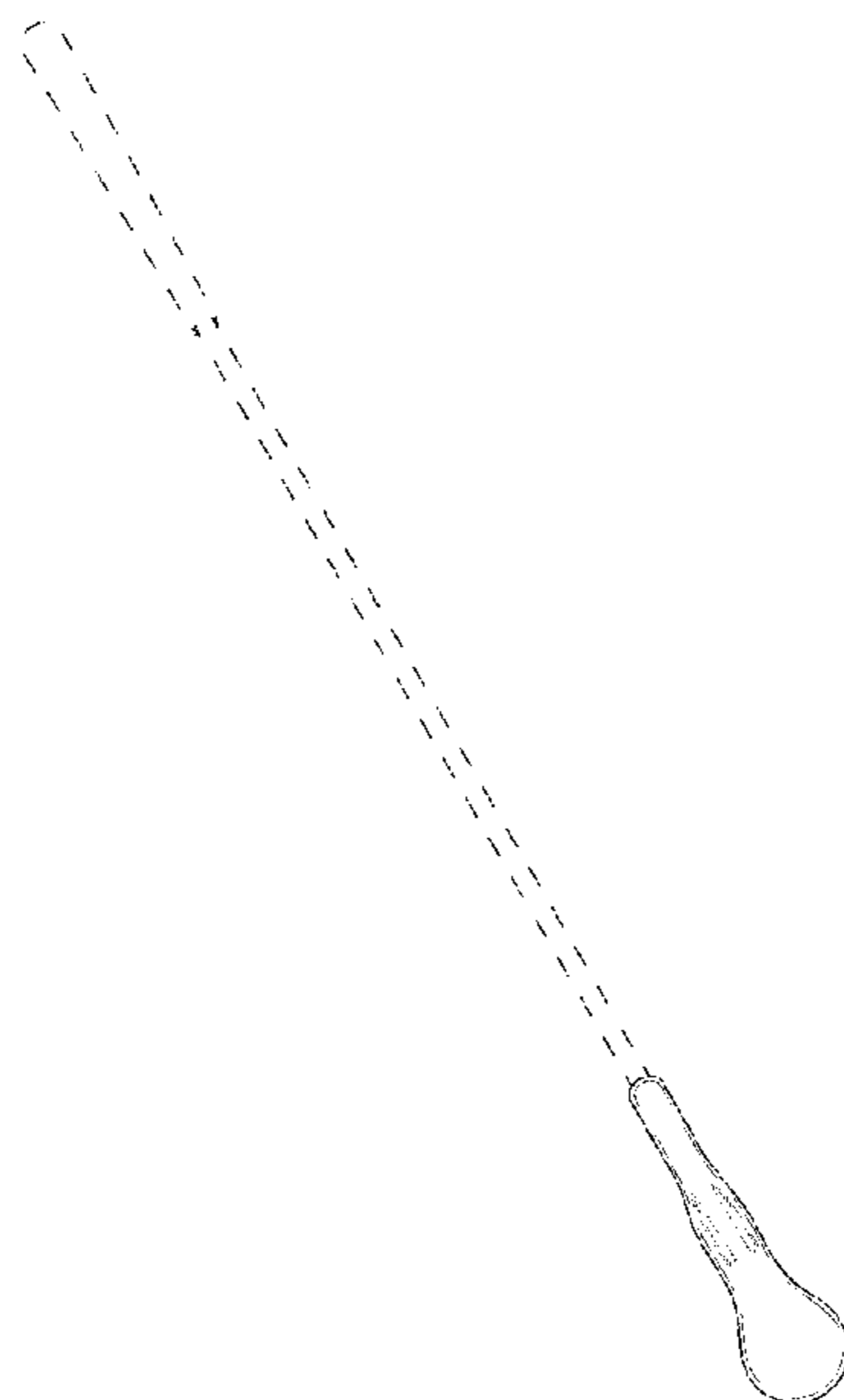
(57) **CLAIM**

The ornamental design for a swing training head, as shown and described.

DESCRIPTION

FIG. 1 is a perspective view of a swing training head showing the claimed design.
FIG. 2 is an enlarged perspective view of the swing training head shown in FIG. 1;
FIG. 3 is an enlarged breakout perspective view of the swing training head taken on square 3 of FIG. 2;
FIG. 4 is a front view of the swing training head shown in FIG. 2, the back view being a mirror image thereof;
FIG. 5 is a left-side view of the swing training head shown in FIG. 2, the right-side view being a mirror image thereof;
FIG. 6 is a top view of the swing training head shown in FIG. 2; and,
FIG. 7 is a bottom view of the swing training head shown in FIG. 2.
Broken lines in the figures show portions of the swing training head that form no part of the claimed design.
The dash-dot-dash lines on FIGS. 2 and 3 are included as boundary lines and form no part of the claimed design.

1 Claim, 7 Drawing Sheets



(56)

References Cited

U.S. PATENT DOCUMENTS

D808,483 S * 1/2018 Wang D21/791
D808,484 S * 1/2018 Oyler D21/791
D821,519 S * 6/2018 Oyler D21/791
D822,137 S * 7/2018 Oyler D21/791
D844,728 S * 4/2019 Oyler D21/791
2017/0291090 A1* 10/2017 Wang A63B 69/3632

OTHER PUBLICATIONS

Asyxstar Golf Swing Trainer Aid—Golf Swing Training aid for Strength and Tempo Golf Training, Sep. 4, 2020, p. 1, Amazon.com.
SKLZ Gold Flex Golf Swing Trainer Warm-Up Stick, Sep. 4, 2020, p. 1, Amazon.com.
Zeonetak Golf Swing Trainer Aid and Correction for Strength Grip Tempo & Flexibility Training Suit for Indoor Practice Chipping Hitting Golf Accessories, Sep. 4, 2020, p. 1, Amazon.com.

* cited by examiner

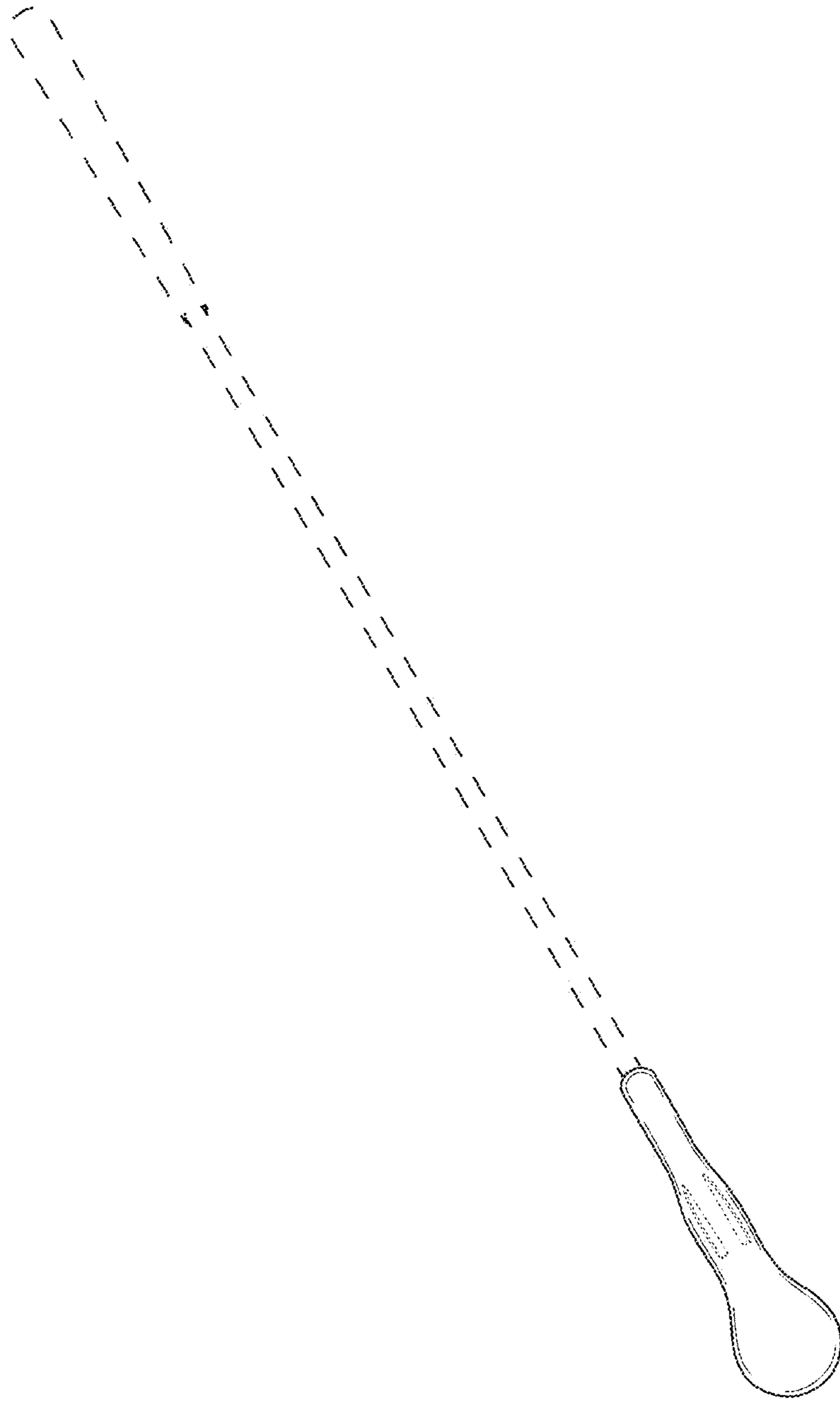


FIG. 1

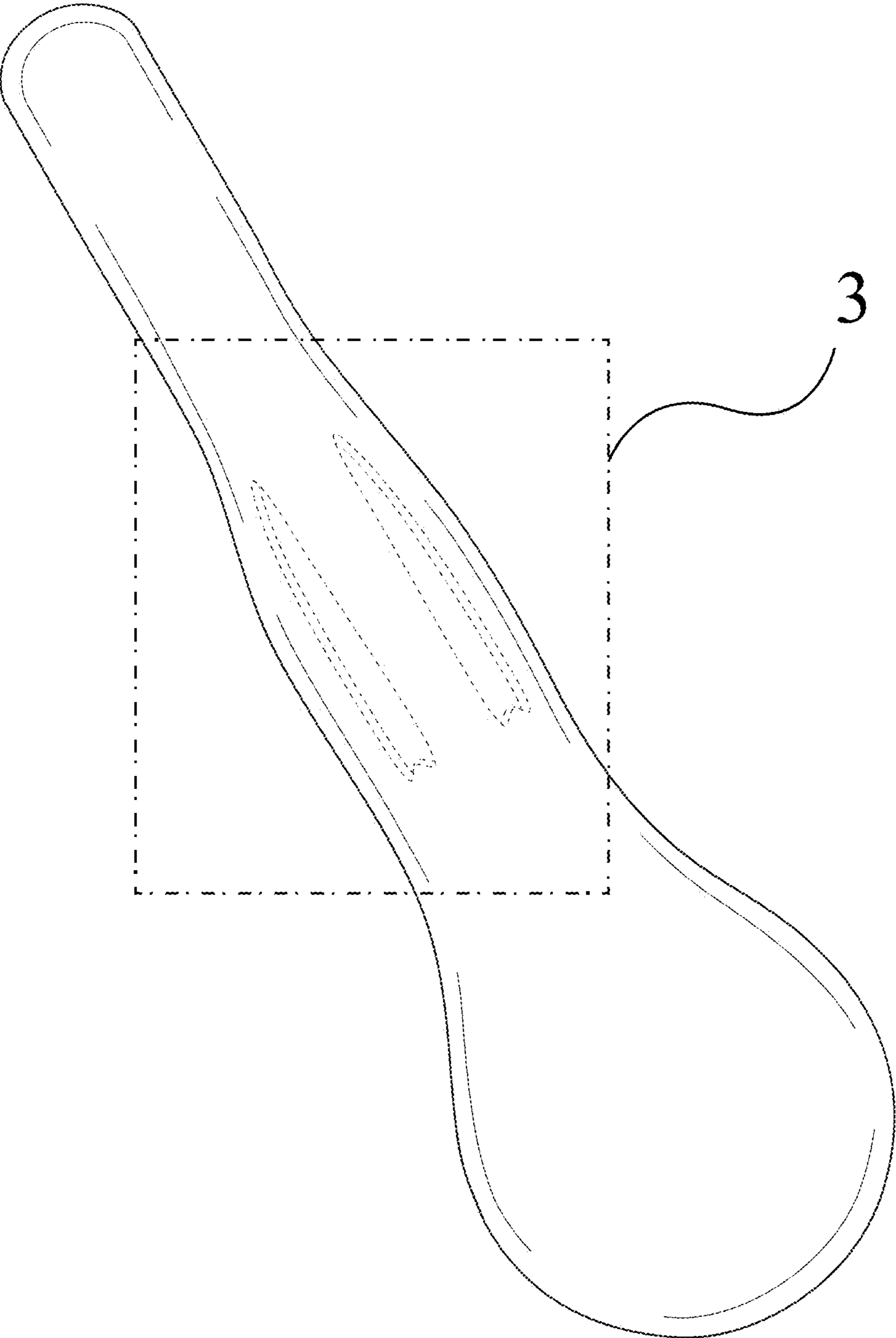


FIG. 2

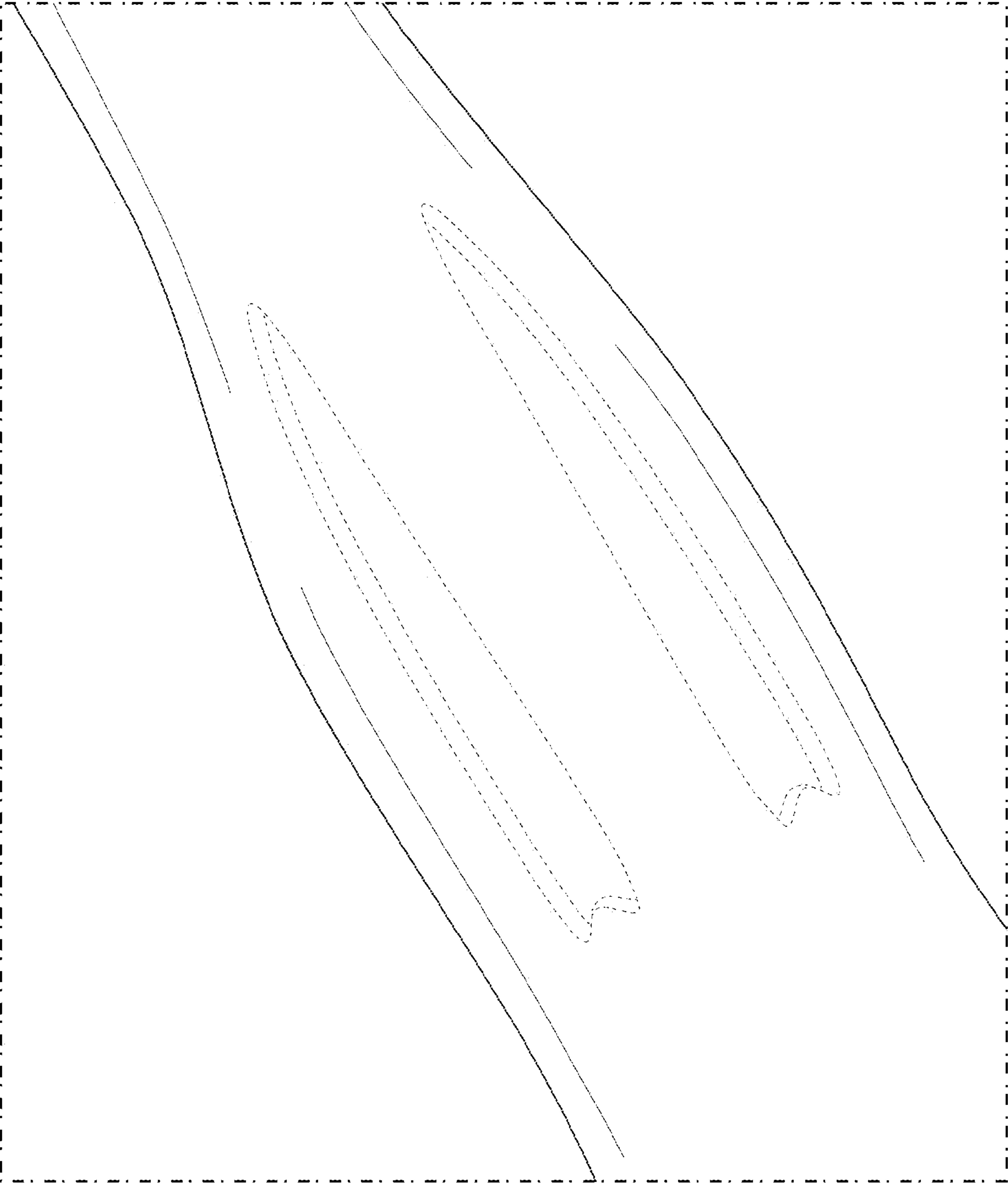


FIG. 3

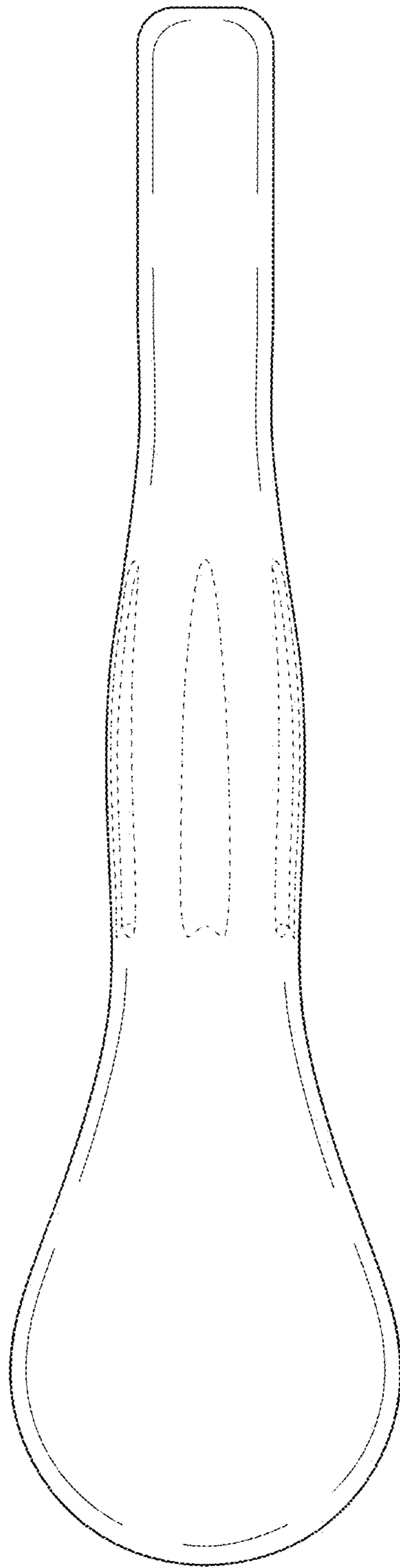


FIG. 4

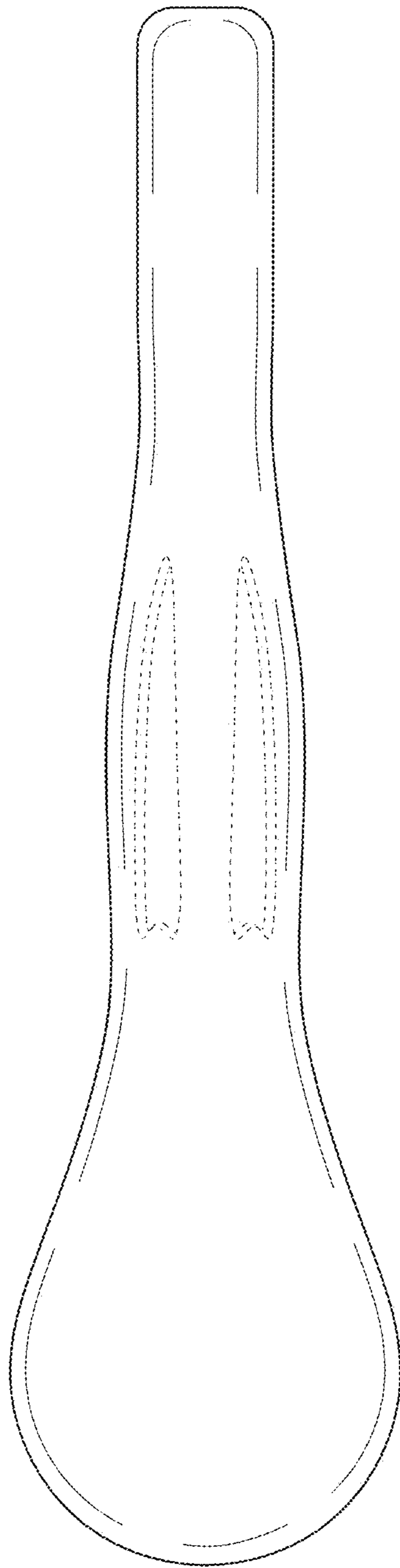


FIG. 5

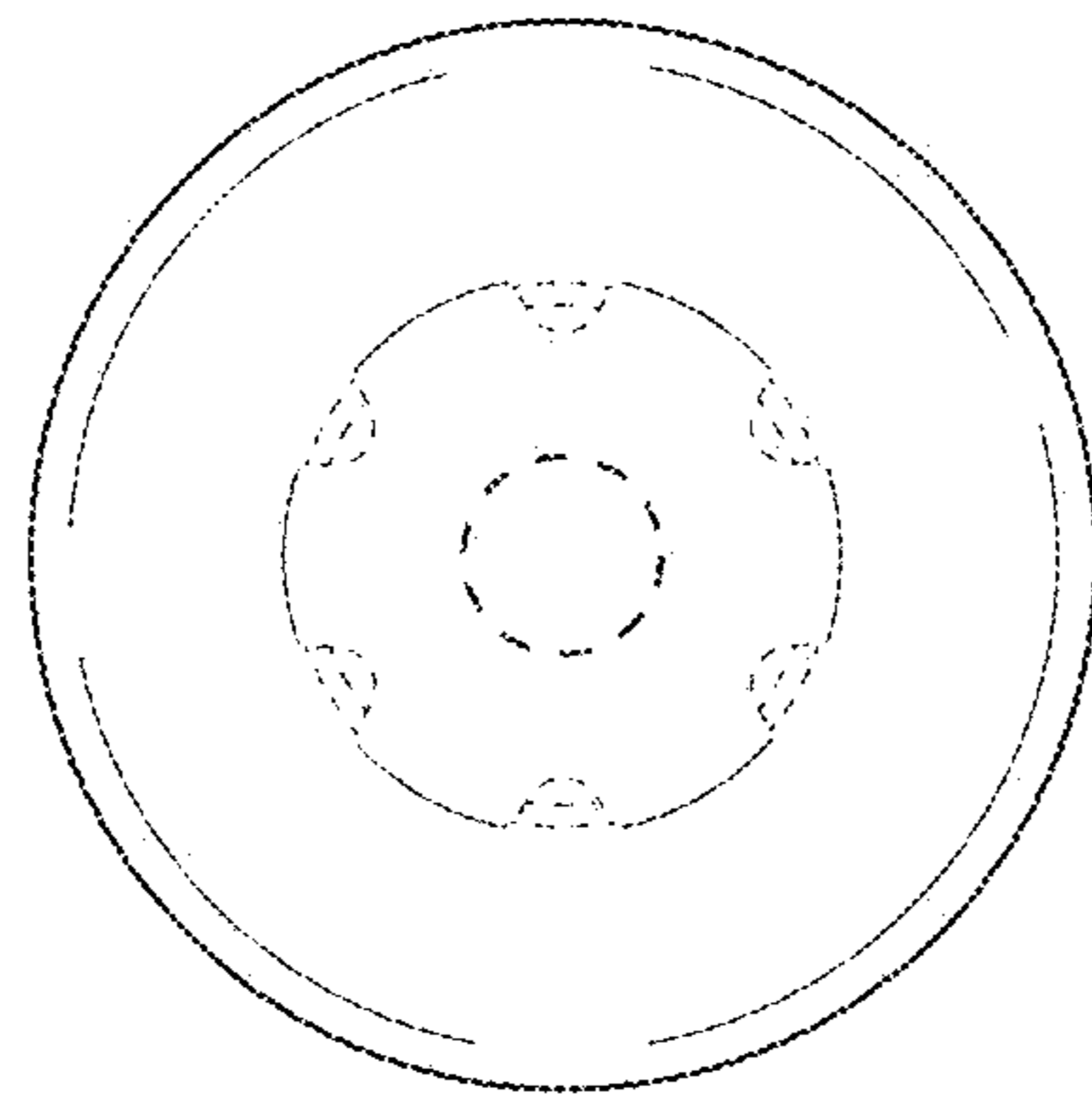


FIG. 6

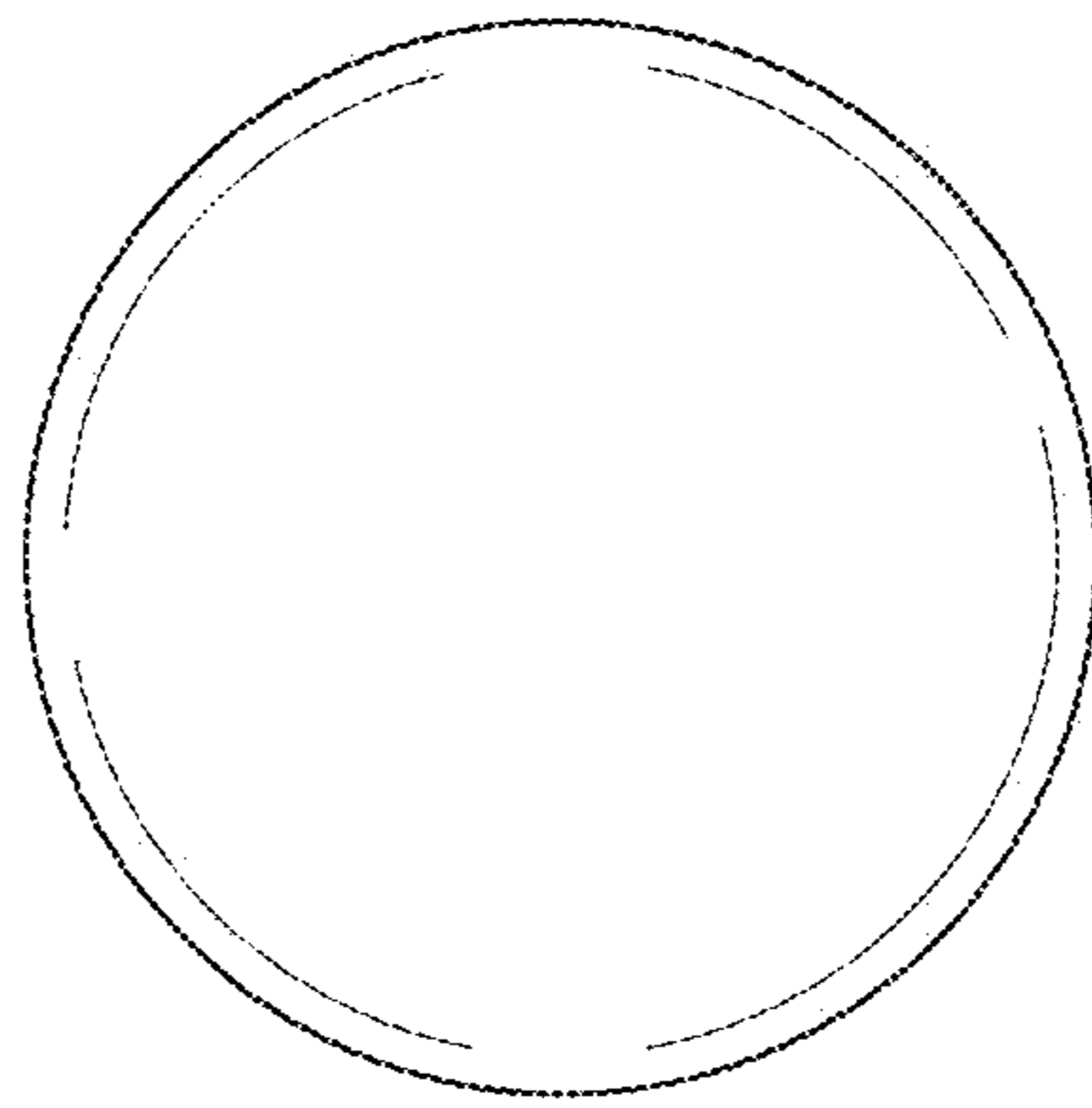


FIG. 7