



US00D955519S

(12) **United States Design Patent** (10) **Patent No.:** **US D955,519 S**
Arnold et al. (45) **Date of Patent:** **** Jun. 21, 2022**

(54) **GOLF TRAINING DEVICE**
(71) Applicant: **Arnolds innovations Pty Ltd**, Dolans Bay (AU)
(72) Inventors: **Brett Arnold**, Dolans Bay (AU); **Craig Andrews**, Dolans Bay (AU); **Rohaan Taneja**, Dolans Bay (AU)

D555,221 S * 11/2007 Munshi D21/791
D574,916 S * 8/2008 Ford D21/791
D575,369 S * 8/2008 Eno D21/791
8,137,207 B2 * 3/2012 Brantingham A63B 24/0021
473/140
D728,718 S * 5/2015 McDonald D21/789
D769,388 S * 10/2016 Schmidt D21/791
9,468,831 B2 * 10/2016 Brantingham A63B 24/0021
2005/0107179 A1 * 5/2005 Munshi A63B 69/0091
473/151

(73) Assignee: **Arnolds Innovations Pty Ltd**

(Continued)

(**) Term: **15 Years**

Primary Examiner — Mitchell I. Siegel

(21) Appl. No.: **29/695,233**

(74) *Attorney, Agent, or Firm* — Braxton Perrone, PLLC; Bobby W. Braxton; Gregory Perrone

(22) Filed: **Jun. 17, 2019**

(51) **LOC (13) Cl.** **21-02**

(52) **U.S. Cl.**
USPC **D21/791**

(58) **Field of Classification Search**
USPC D21/789, 791
CPC A63B 69/3623; A63B 69/3655; A63B 69/3658; A63B 69/3661; A63B 69/3608; A63B 69/3667; A63B 69/0079; A63B 69/0091
See application file for complete search history.

(57) **CLAIM**

The ornamental design for a golf training device, as shown and described.

(56) **References Cited**

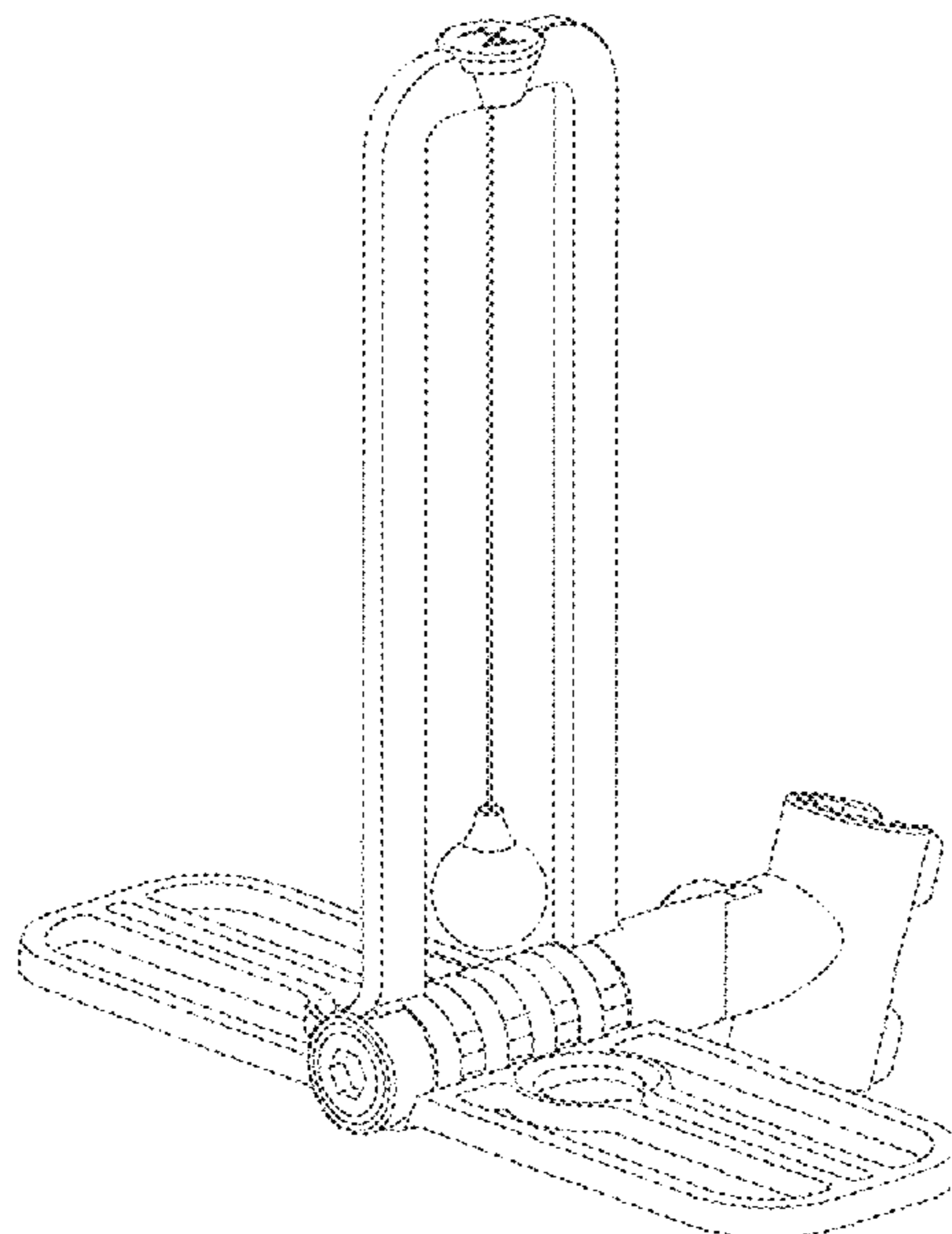
U.S. PATENT DOCUMENTS

D216,403 S * 12/1969 Terry D21/791
D319,092 S * 8/1991 Dennesen D21/791
5,121,923 A * 6/1992 D'Allura A63B 69/0091
206/315.1
D391,333 S * 2/1998 Russell D21/791
6,257,989 B1 * 7/2001 Tortola A63B 69/0079
473/140
D459,426 S * 6/2002 Wang D21/791
D500,544 S * 1/2005 Wu D21/791
D515,651 S * 2/2006 Tupman D21/791
7,214,136 B1 * 5/2007 Perry A63B 69/3655
473/139

DESCRIPTION

FIG. 1 is a plan view of a golf training device in a stowed position;
FIG. 2 is a plan view in a deployed position;
FIG. 3 is a right side elevation view in a stowed position;
FIG. 4 is a left side elevation view in a stowed position;
FIG. 5 is a rear elevation view in a stowed position;
FIG. 6 is an underside plan view in a stowed position;
FIG. 7 is a front elevation view in a stowed position;
FIG. 8 is a right side elevation view in a deployed position;
FIG. 9 is a left side elevation view in a deployed position;
FIG. 10 is a rear elevation view in a deployed position;
FIG. 11 is an underside plan view in a deployed position;
FIG. 12 is a front elevation view in a deployed position;
FIG. 13 is an isometric view in a deployed position;
FIG. 14 is another isometric view in a deployed position;
FIG. 15 is an isometric view in a stowed position; and,
FIG. 16 is another isometric view in a stowed position.

1 Claim, 16 Drawing Sheets



(56)

References Cited

U.S. PATENT DOCUMENTS

2012/0142442 A1 * 6/2012 Brantingham A63B 69/3655
473/140

* cited by examiner

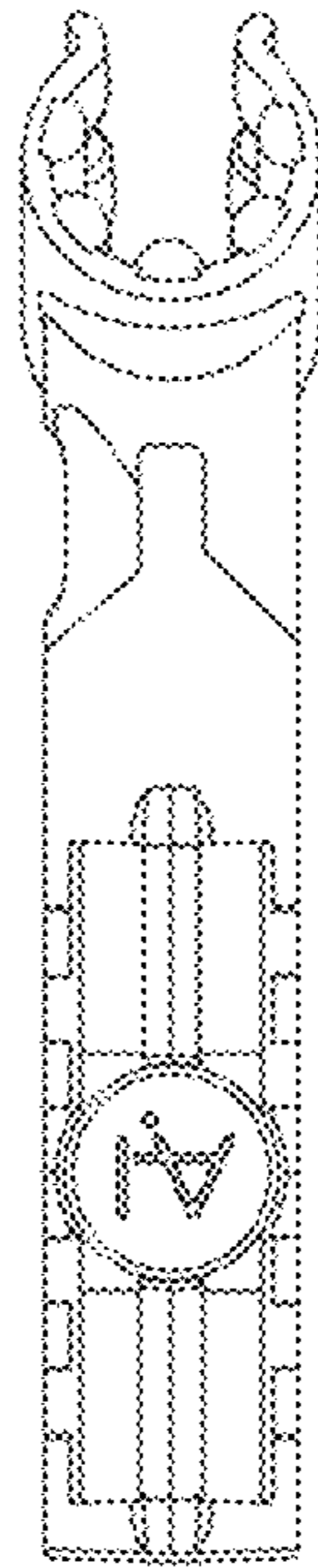


FIG. 1

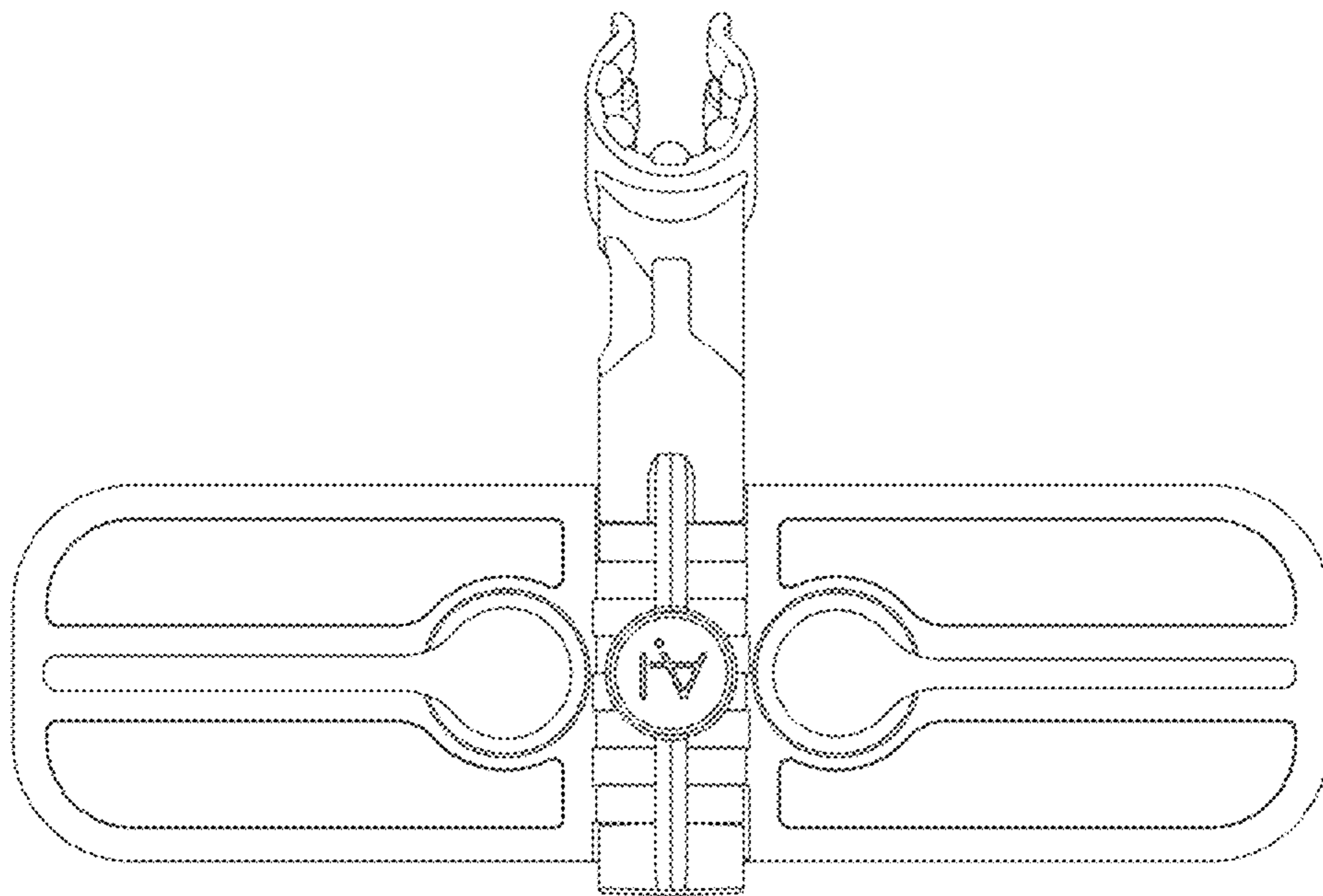


Fig 2

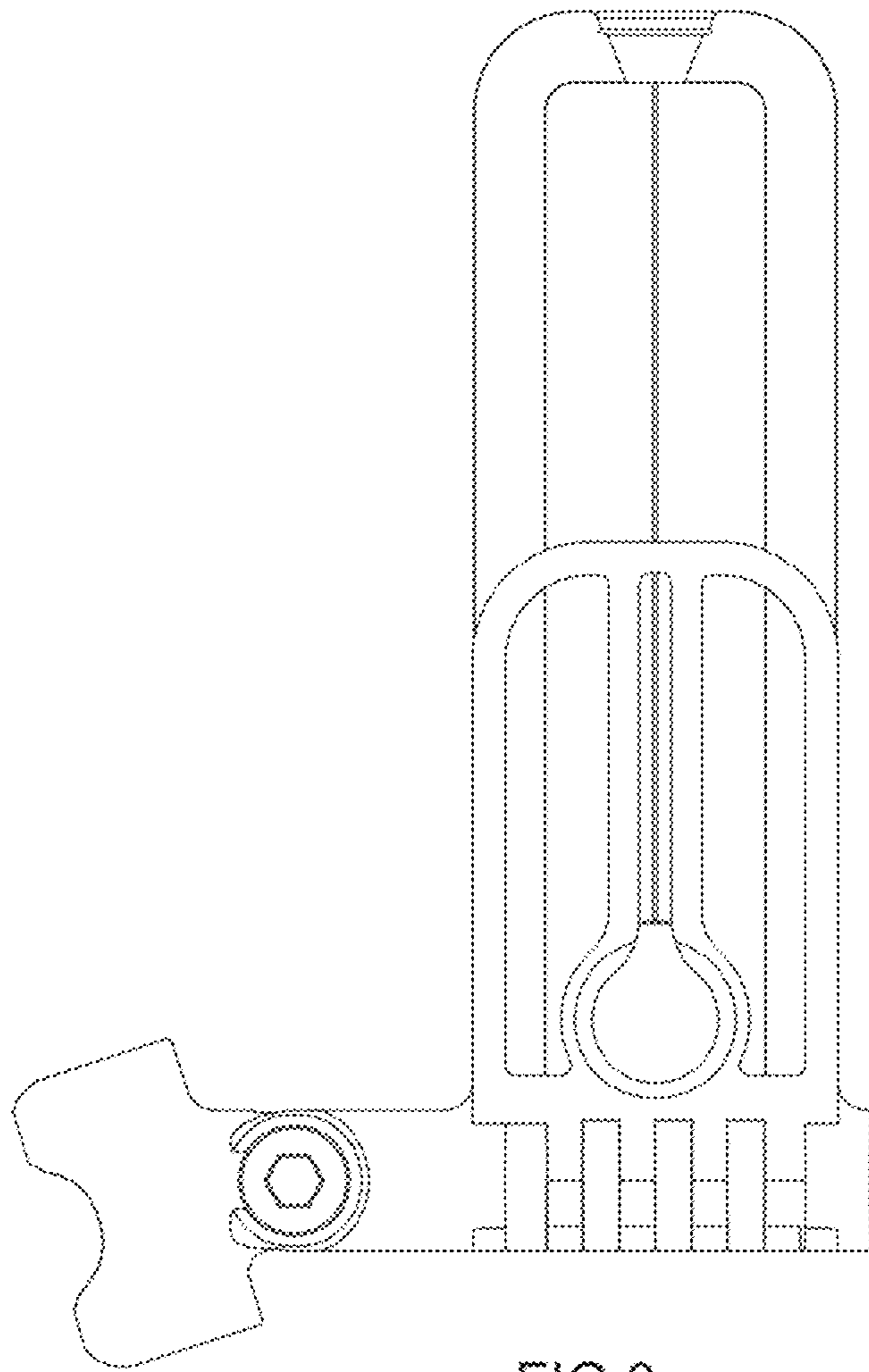


FIG 3

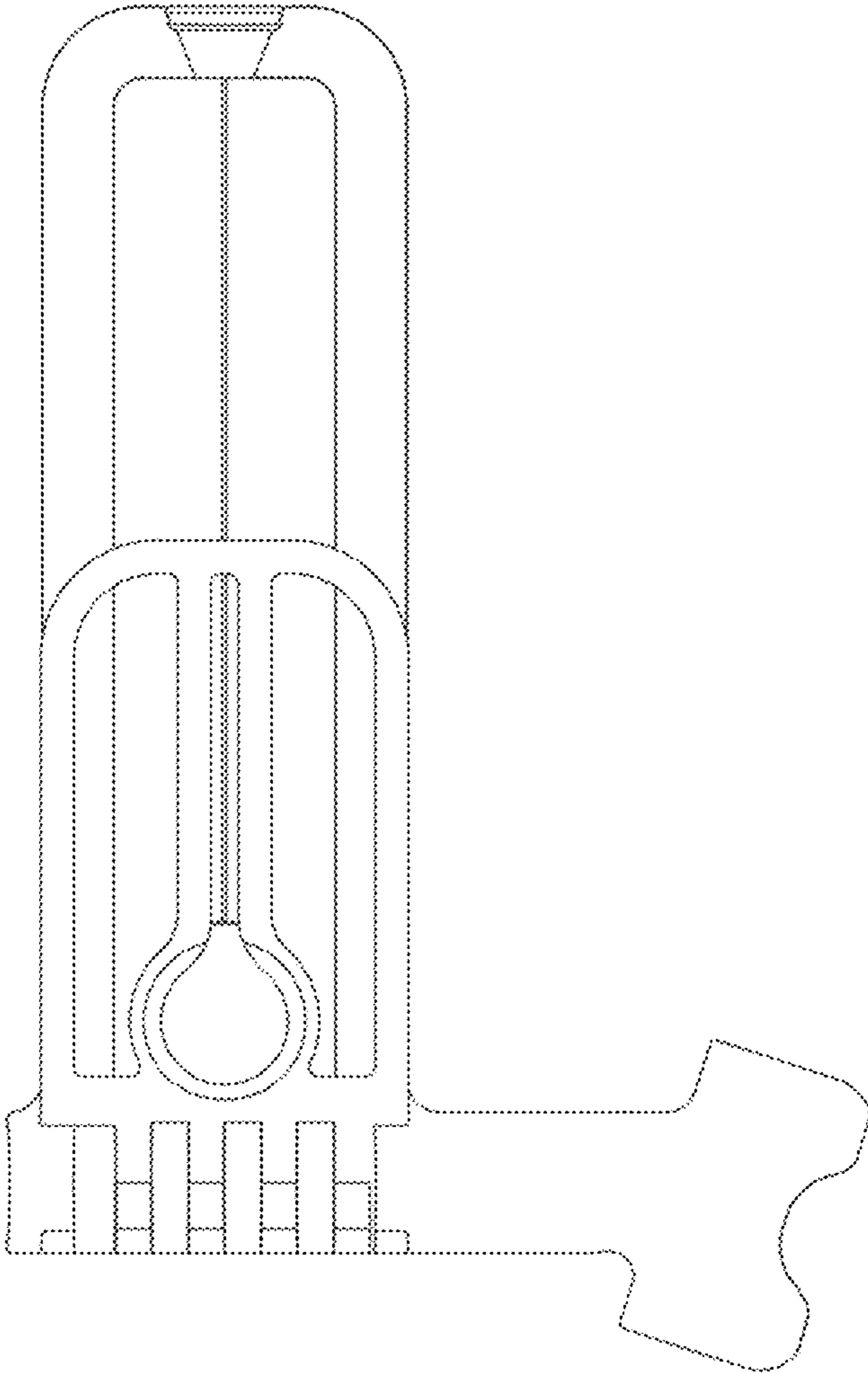


FIG 4

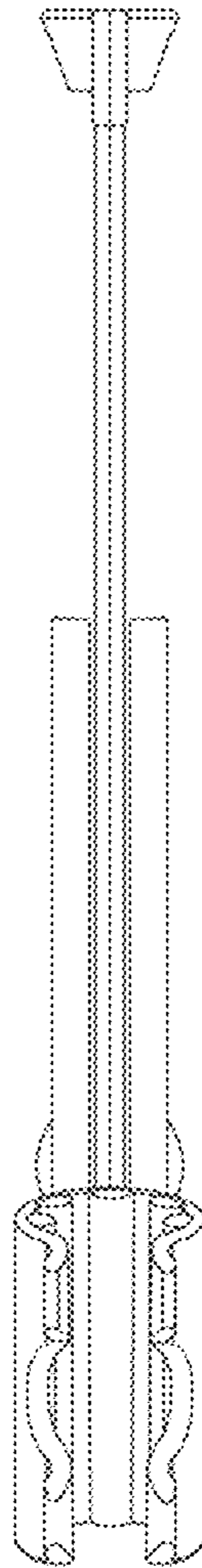


FIG 5

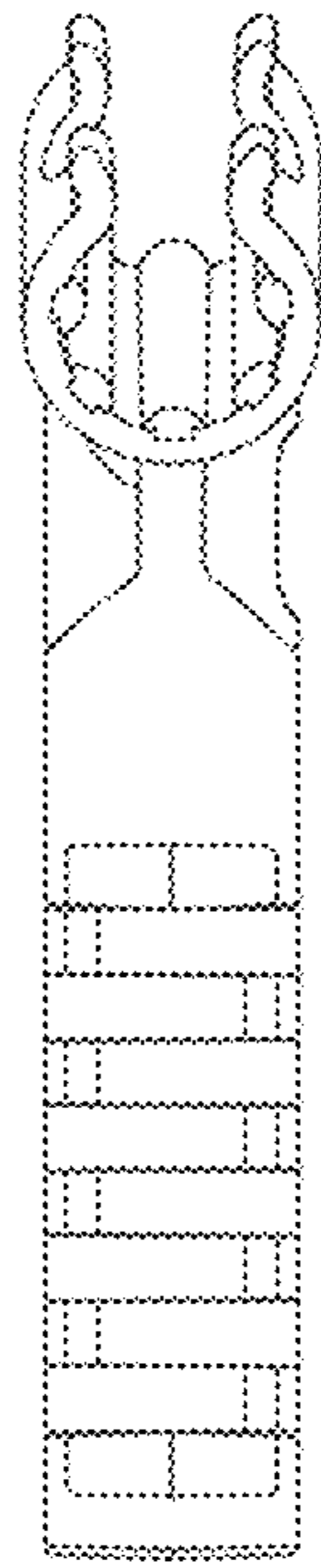


FIG 6

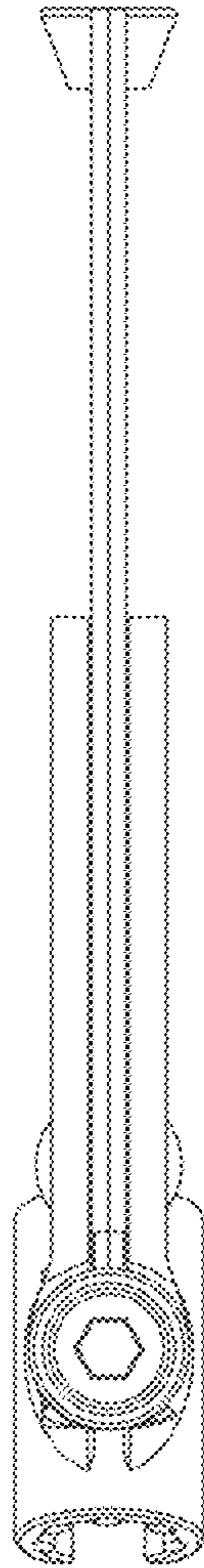


FIG 7

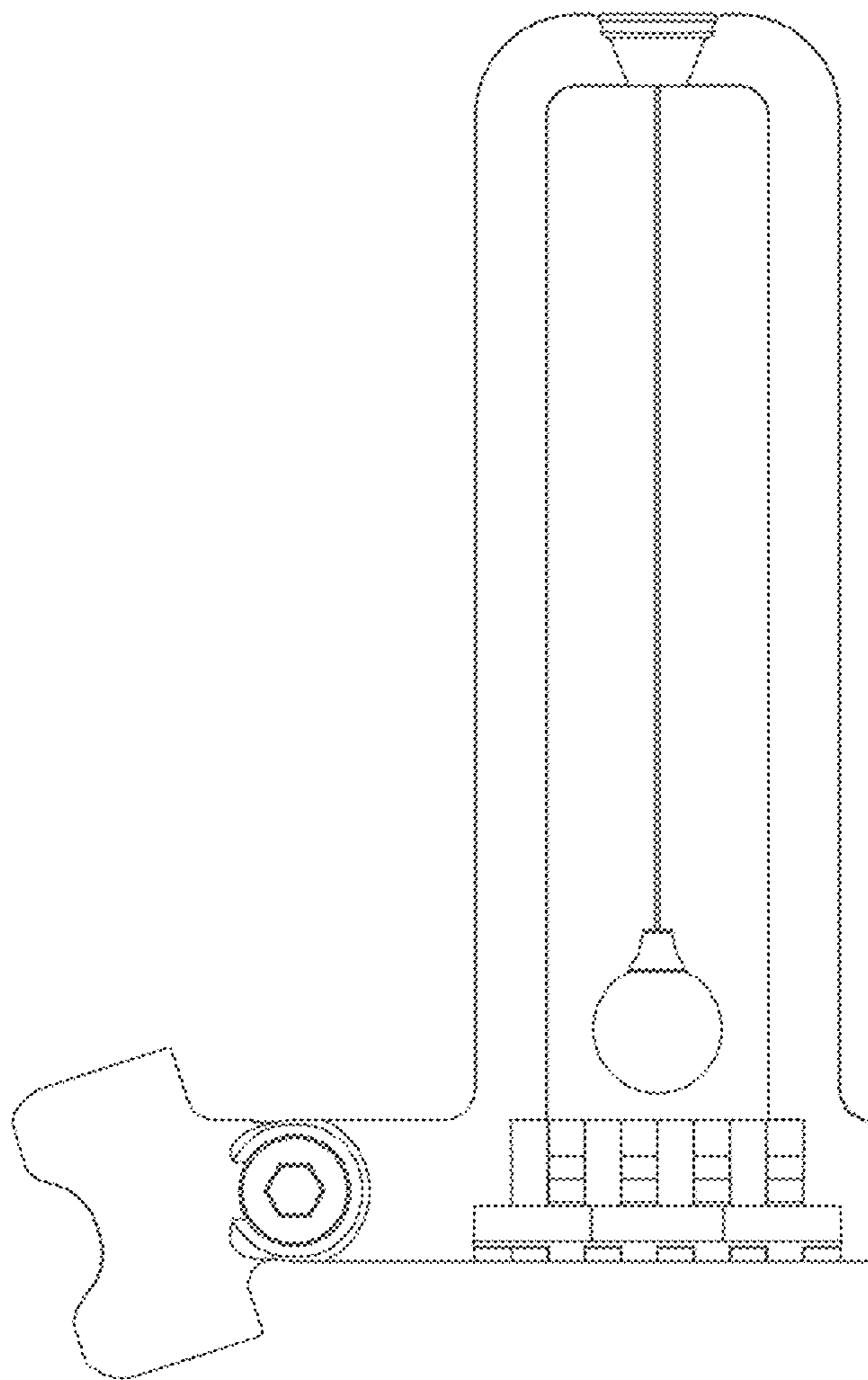


FIG 8

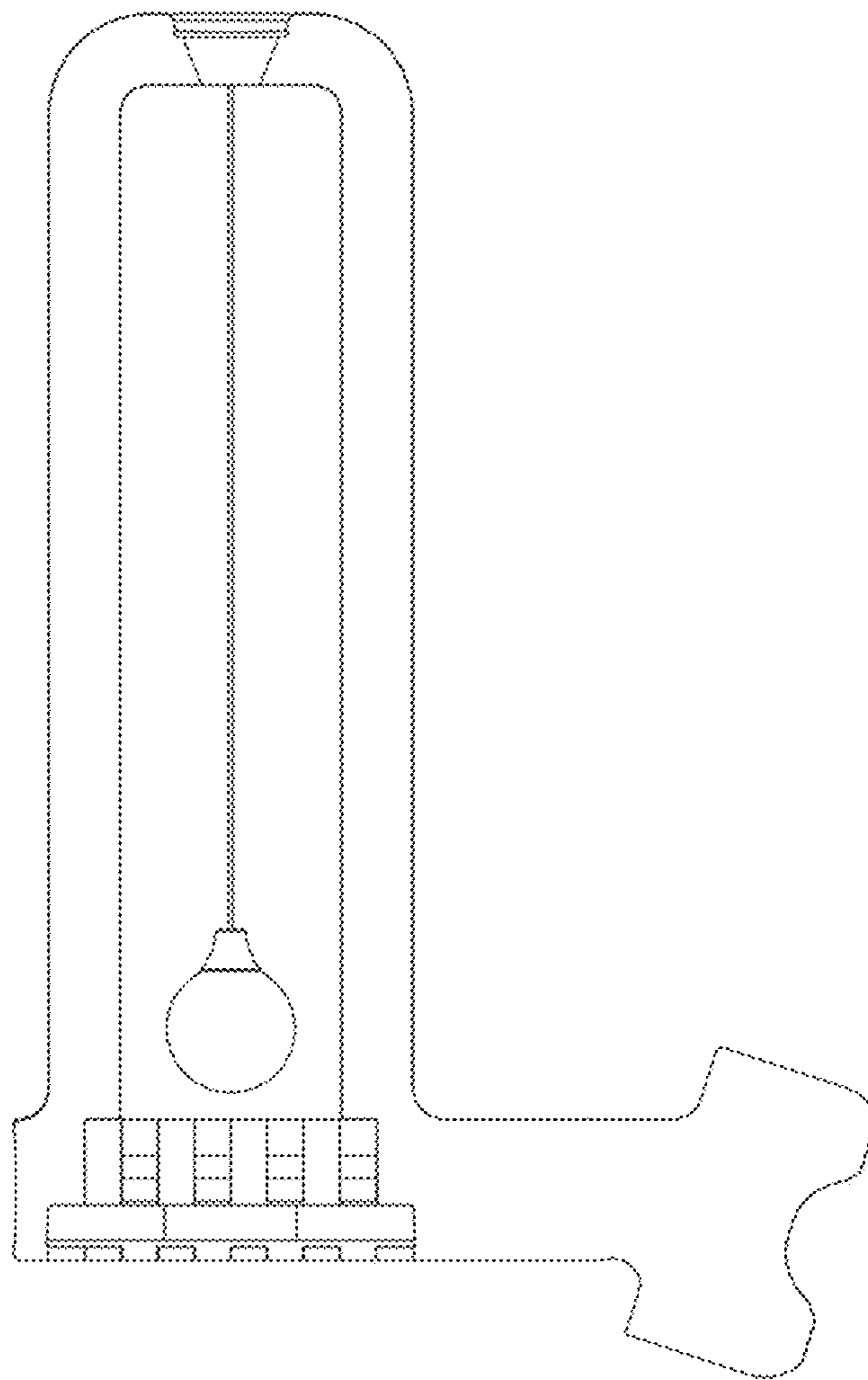


FIG 9

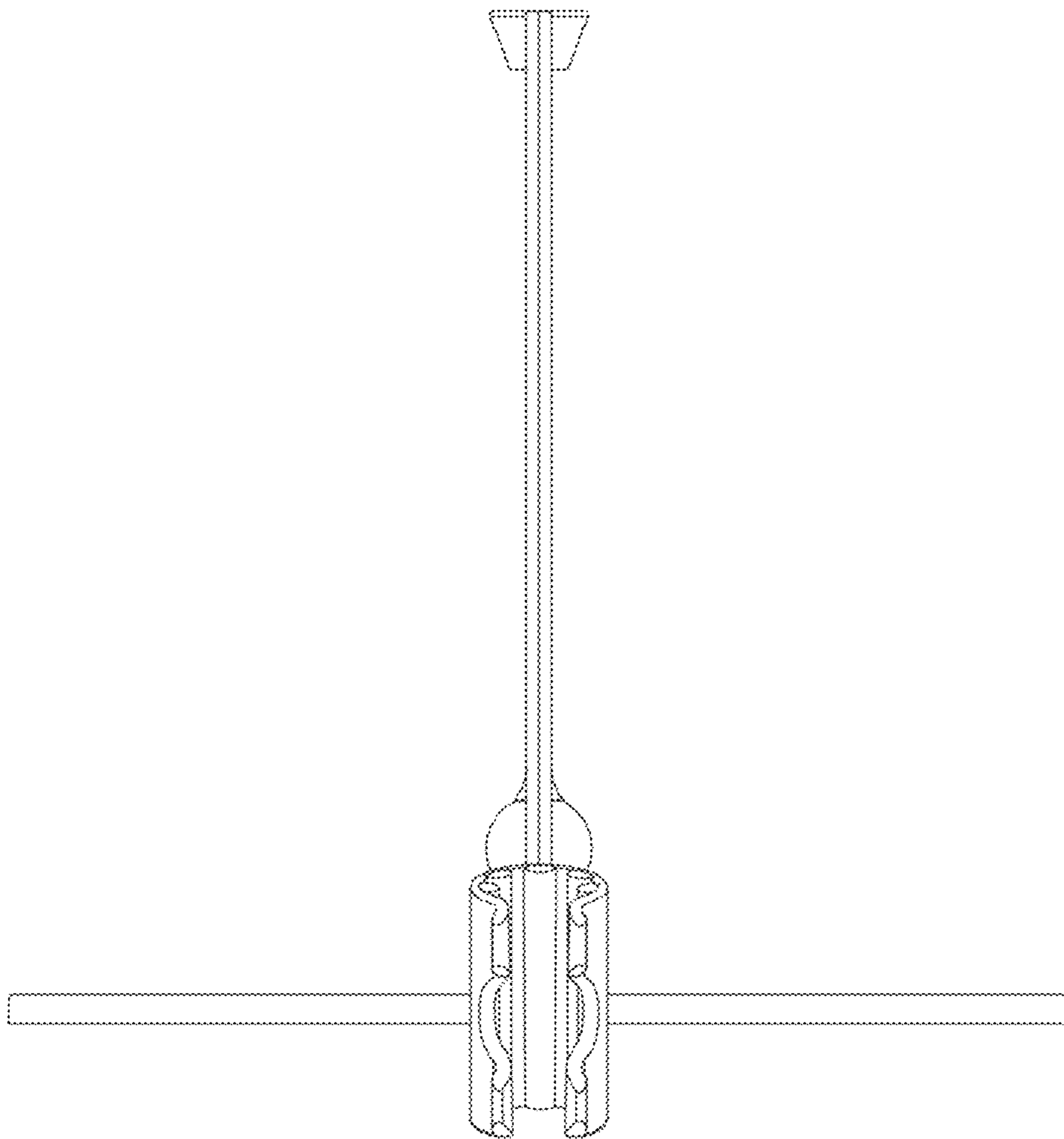


FIG 10

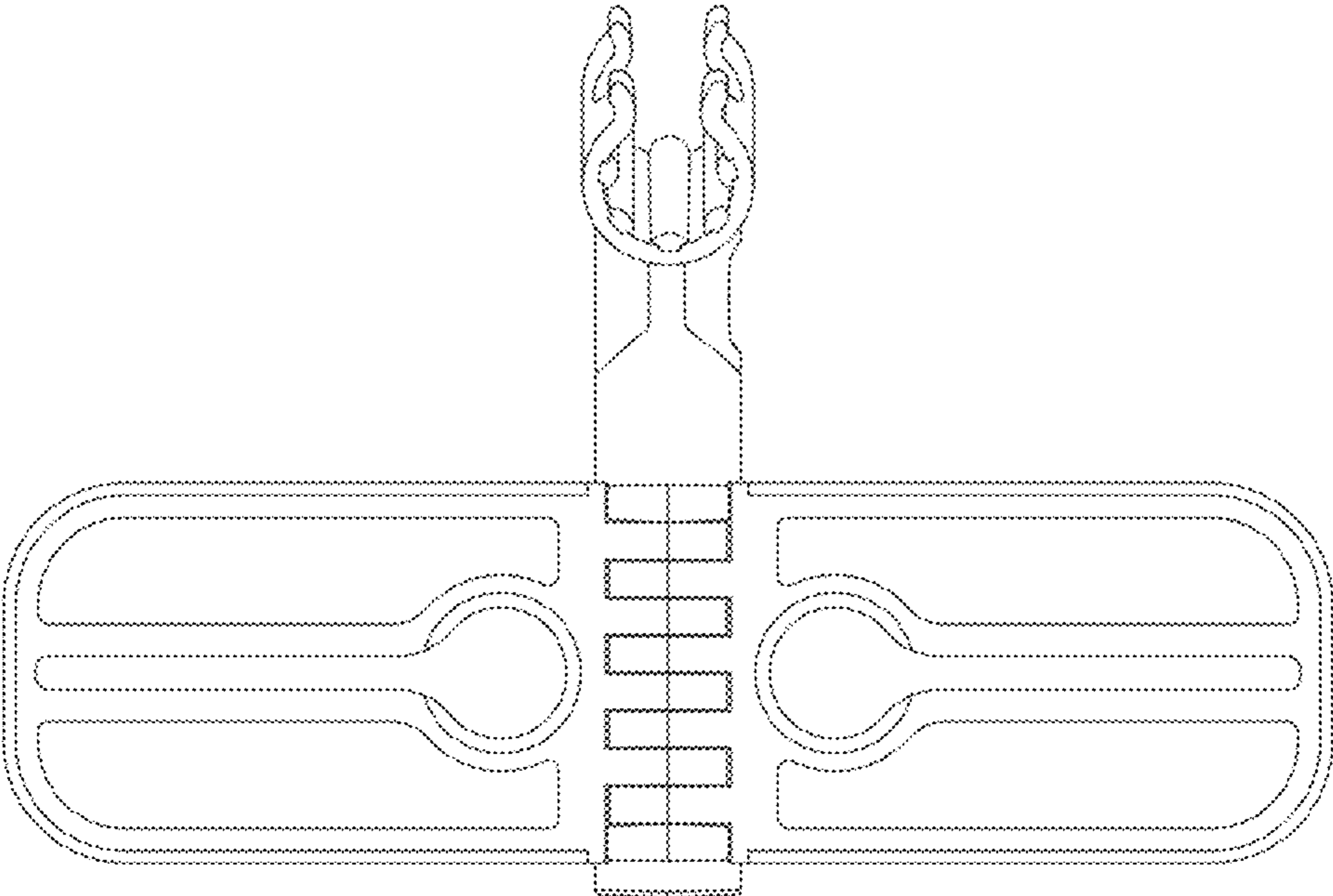


FIG 11

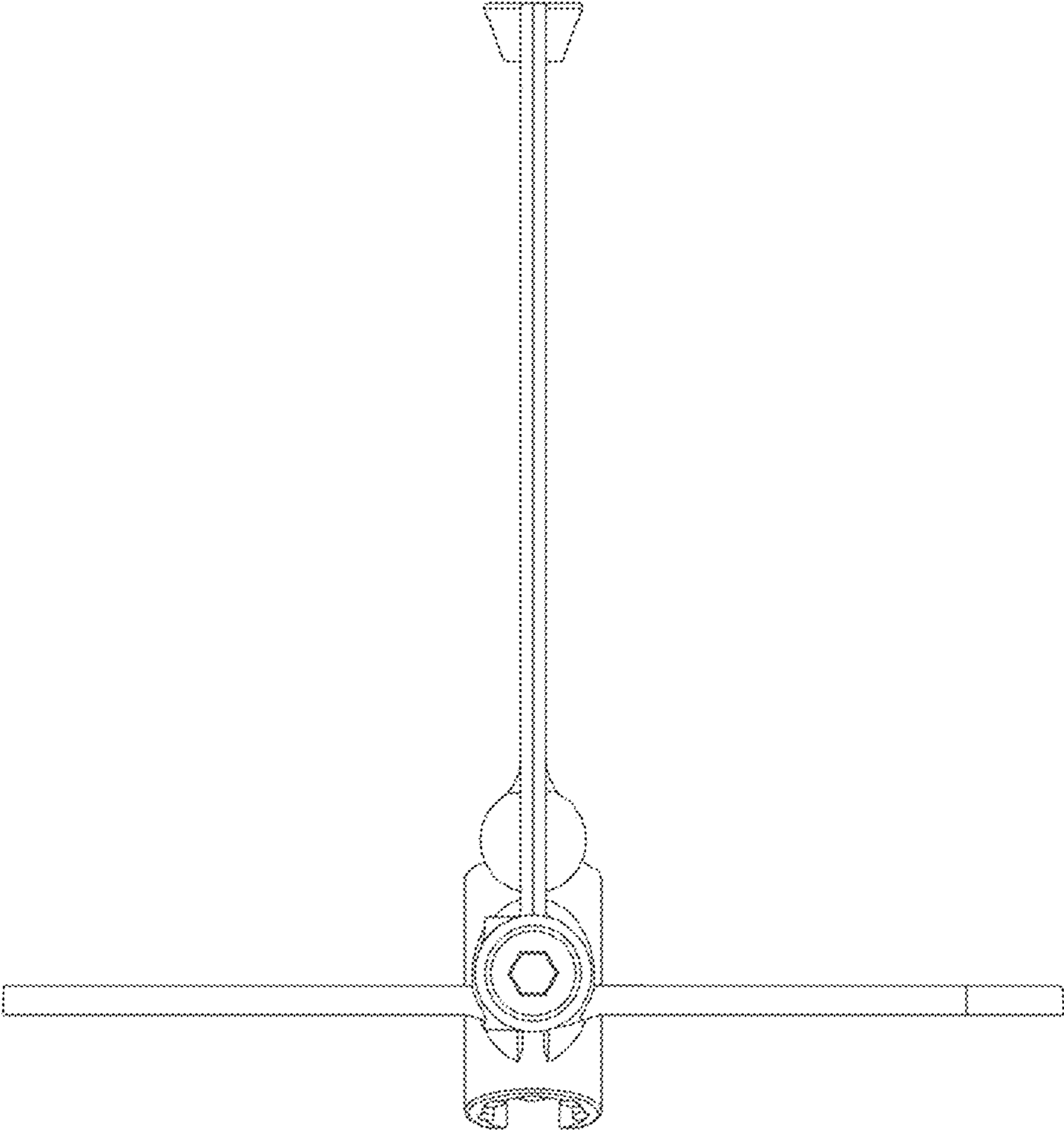


FIG 12

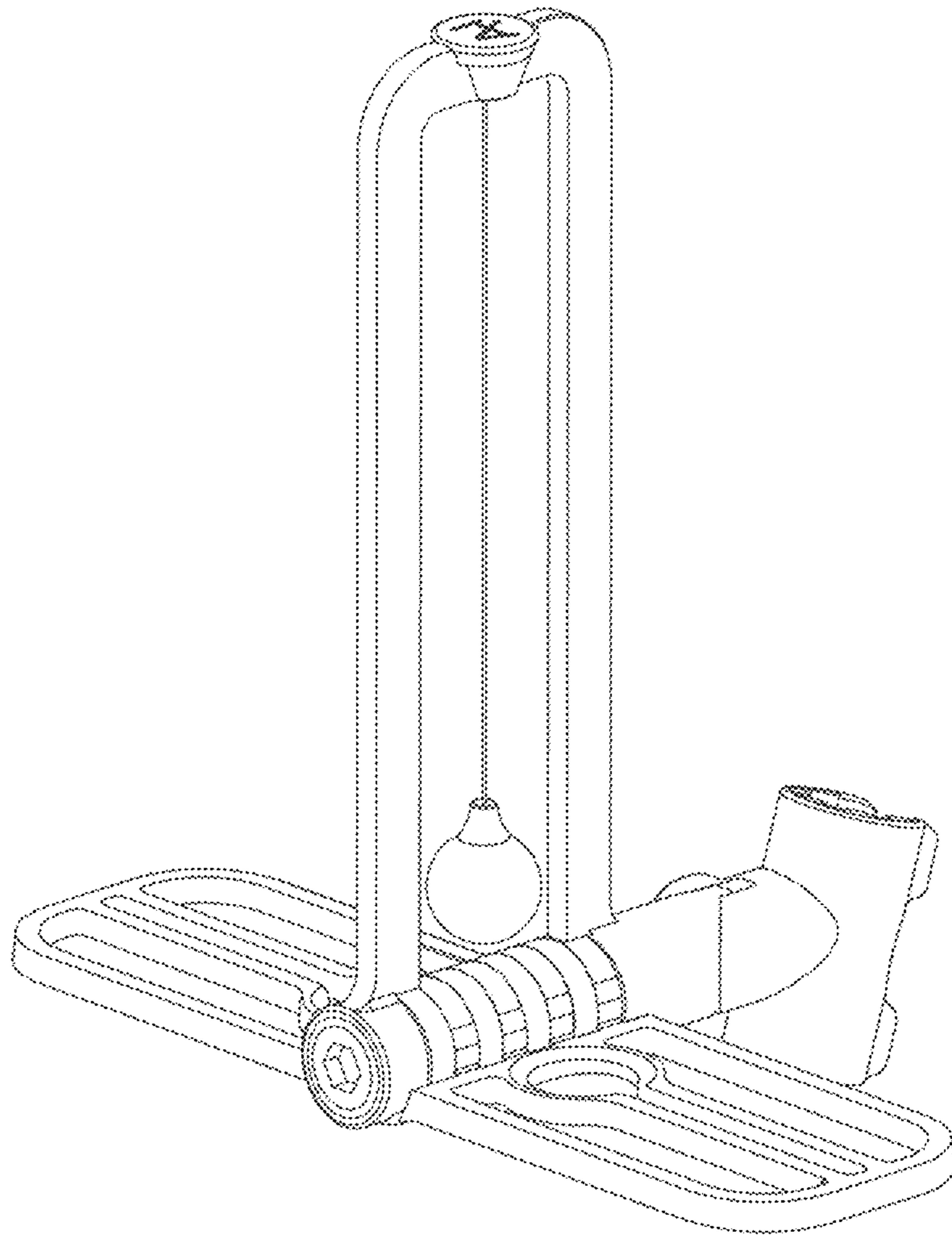


FIG 13

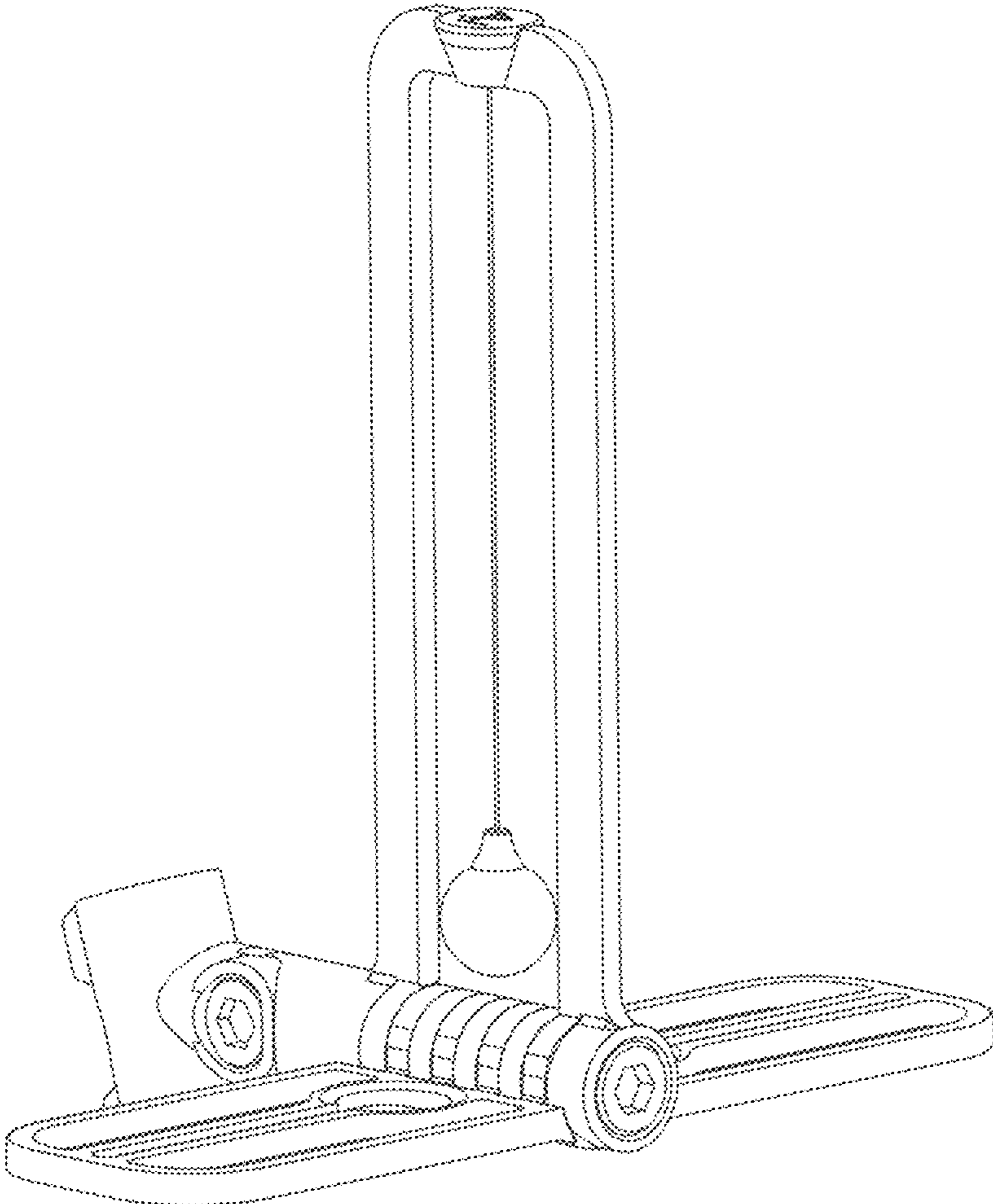


FIG 14

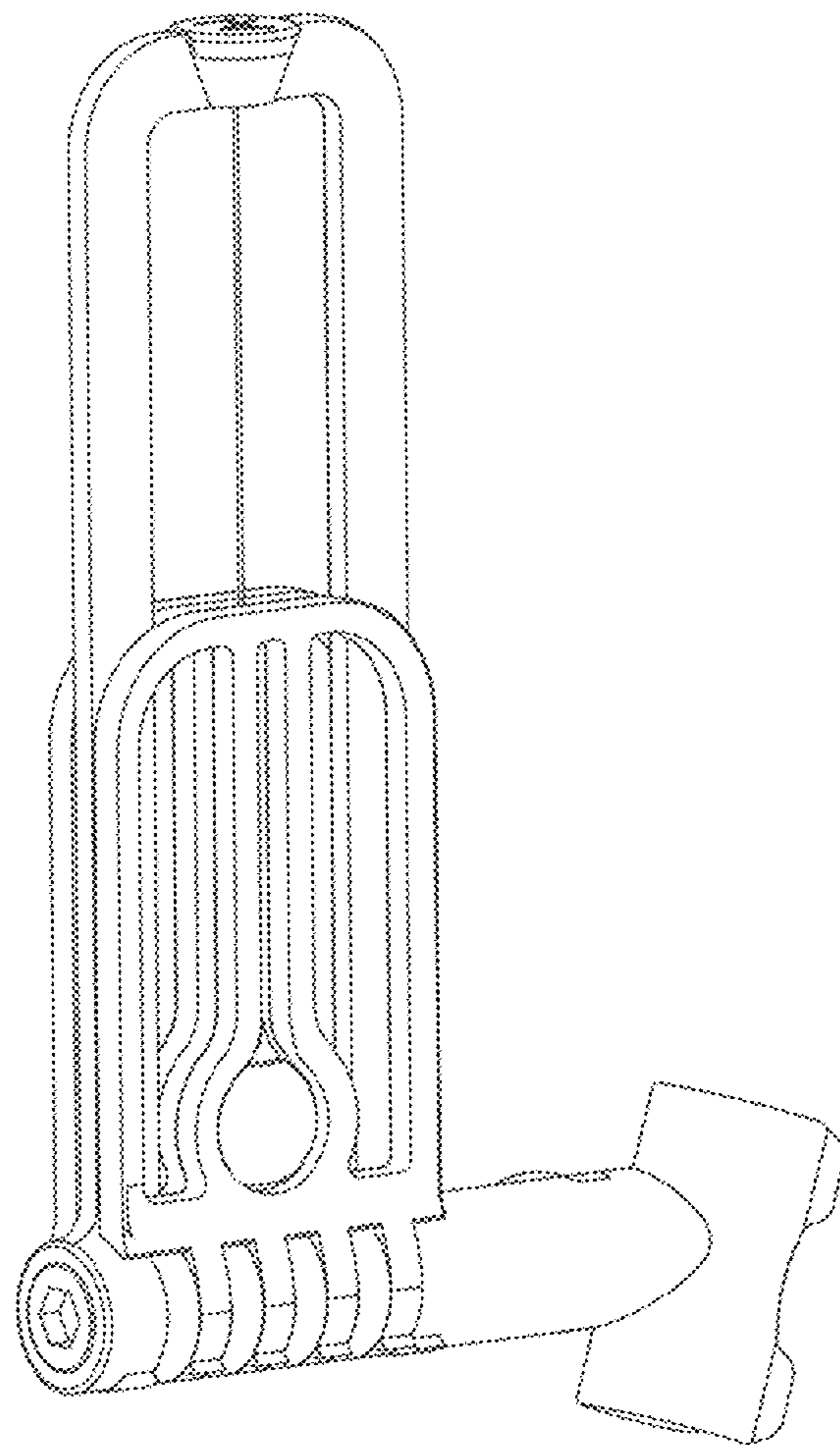


FIG 15

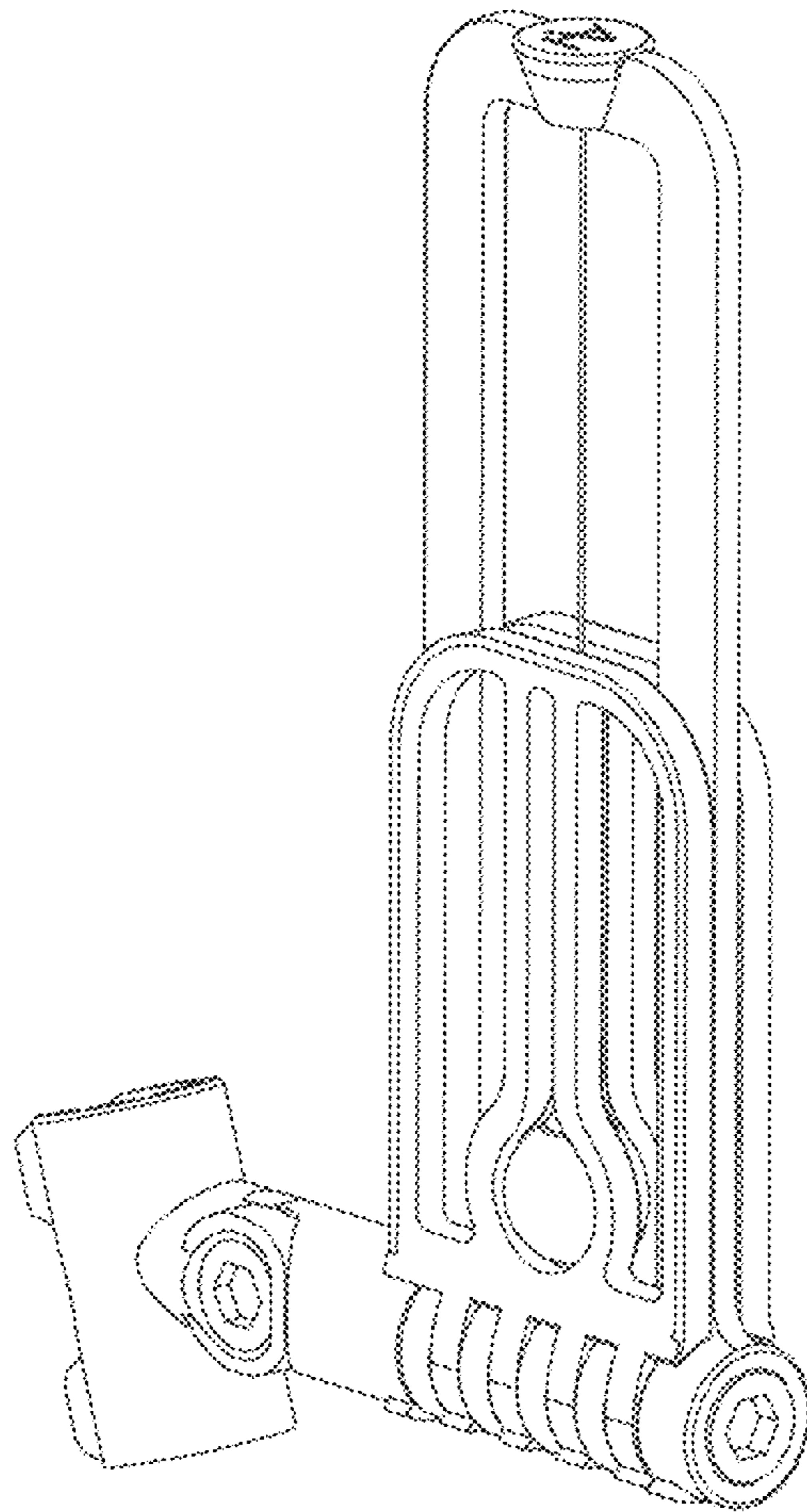


FIG 16