



US00D955516S

(12) **United States Design Patent**
Buergin

(10) **Patent No.:** **US D955,516 S**
(45) **Date of Patent:** **** Jun. 21, 2022**

(54) **GOLF TEE BASE**

(71) Applicant: **James F. Buergin**, Indianapolis, IN
(US)

(72) Inventor: **James F. Buergin**, Indianapolis, IN
(US)

(**) Term: **15 Years**

(21) Appl. No.: **29/753,989**

(22) Filed: **Oct. 5, 2020**

(51) **LOC (13) Cl.** **21-02**

(52) **U.S. Cl.**
USPC **D21/717**

(58) **Field of Classification Search**
USPC D21/789, 790, 791, 793, 794, 796, 319,
D21/358, 698, 715-718, 720, 721, 364,
D21/304, 839, 341
CPC . A63B 57/0012; A63B 57/0037; A63B 57/10;
A63B 57/12; A63B 57/13; A63B 57/15;
A63B 57/18; A63B 57/19; A63B
69/0075; A63B 69/0091; A63F
2003/00725; A63F 9/0093; A63F 9/1252;
A63F 2009/1256; A63F 2009/126; A63F
2009/1264; A63F 2009/1268; A63F
2009/1272; A63F 2250/202
See application file for complete search history.

(56) **References Cited**

U.S. PATENT DOCUMENTS

D138,378 S * 7/1944 Martin, Jr. D21/304
D237,290 S * 10/1975 Hein D21/470
D366,284 S * 1/1996 Binkley D21/341
D369,845 S * 5/1996 Knez D21/718

D604,375 S * 11/2009 Steinhobel D21/717
D629,474 S * 12/2010 Keogh D21/718
2007/0275793 A1* 11/2007 Liao A63B 69/0002
473/417

OTHER PUBLICATIONS

Solid Oak Wooden Peg Game Tricky Triangle. Date First Available:
Oct. 13, 2019. Retrieved from internet: < <https://www.amazon.ca/Solid-Wooden-Tricky-Triangle-Cauff/dp/B07KYTZDJJ/>> [site visited Jan. 18, 2022] (Year: 2019).*

* cited by examiner

Primary Examiner — Barbara Fox
Assistant Examiner — Yuan Yuan

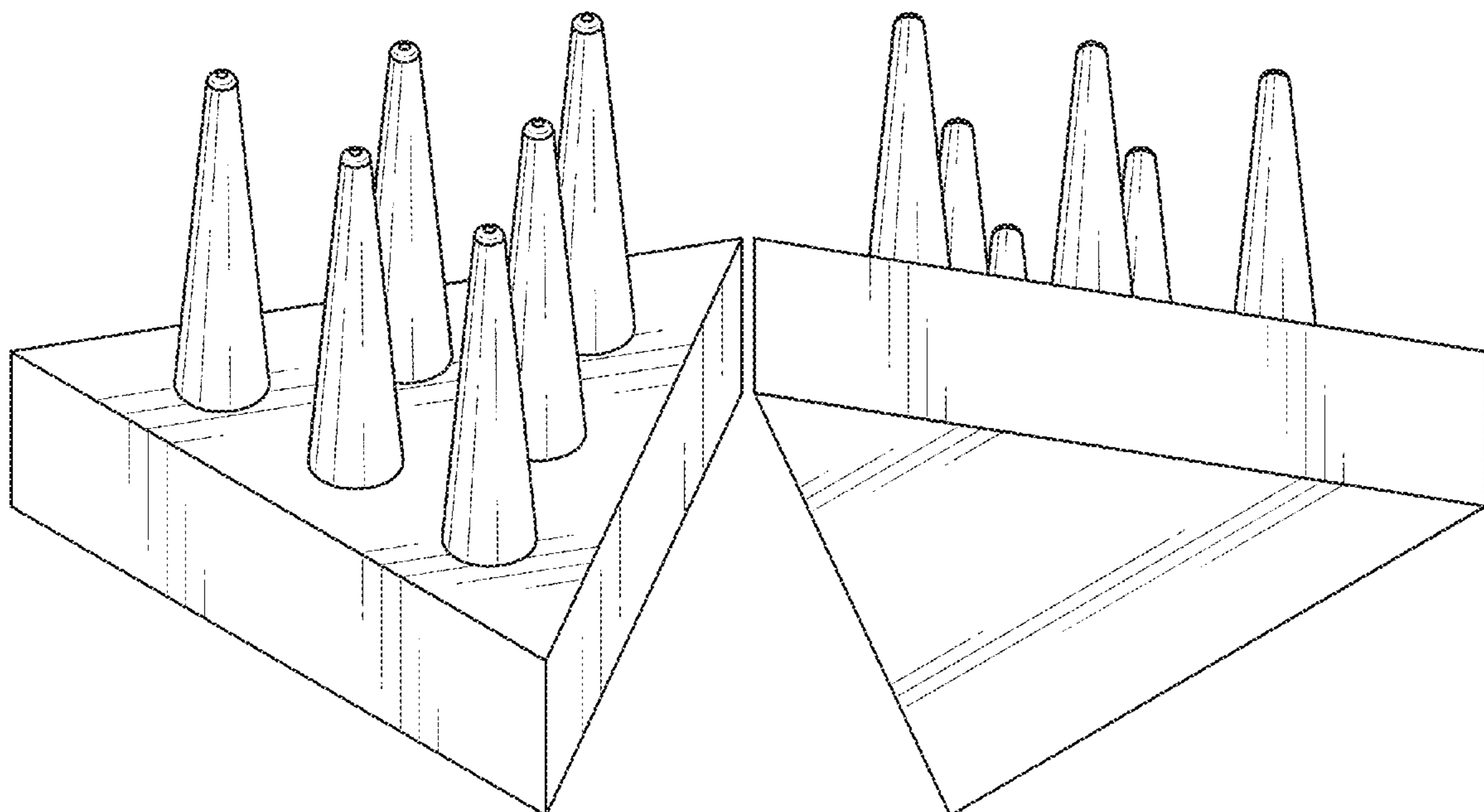
(57) **CLAIM**

The ornamental design for a golf tee base, as shown and described.

DESCRIPTION

FIG. 1 is a top-front-left perspective view of a golf tee base showing my new design;
FIG. 2 is a bottom-rear-right perspective view thereof;
FIG. 3 is a front elevated view thereof;
FIG. 4 is a rear elevated view thereof;
FIG. 5 is a top plan view thereof;
FIG. 6 is a bottom plan view thereof;
FIG. 7 is a right elevated view thereof;
FIG. 8 is a left elevated view thereof;
FIG. 9 is a top perspective view thereof, showing the golf tee base connected to a tee body; and,
FIG. 10 is a bottom perspective view thereof, showing the golf tee base connected to the tee body.
The broken-line showing of a tee body in FIGS. 9 and 10 are included for the purpose of showing environmental structure and form no part of the claimed design.

1 Claim, 10 Drawing Sheets



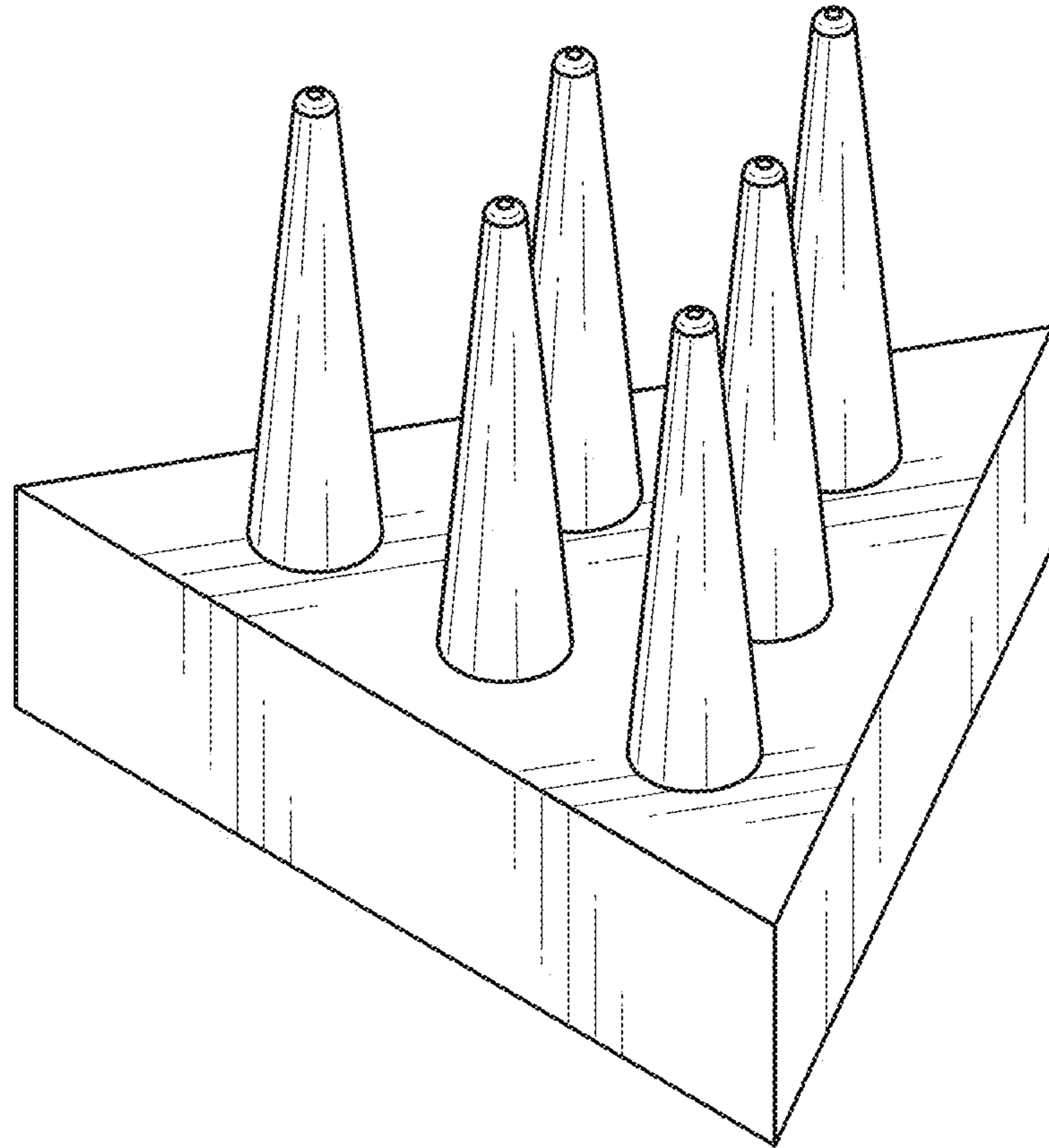


FIG. 1

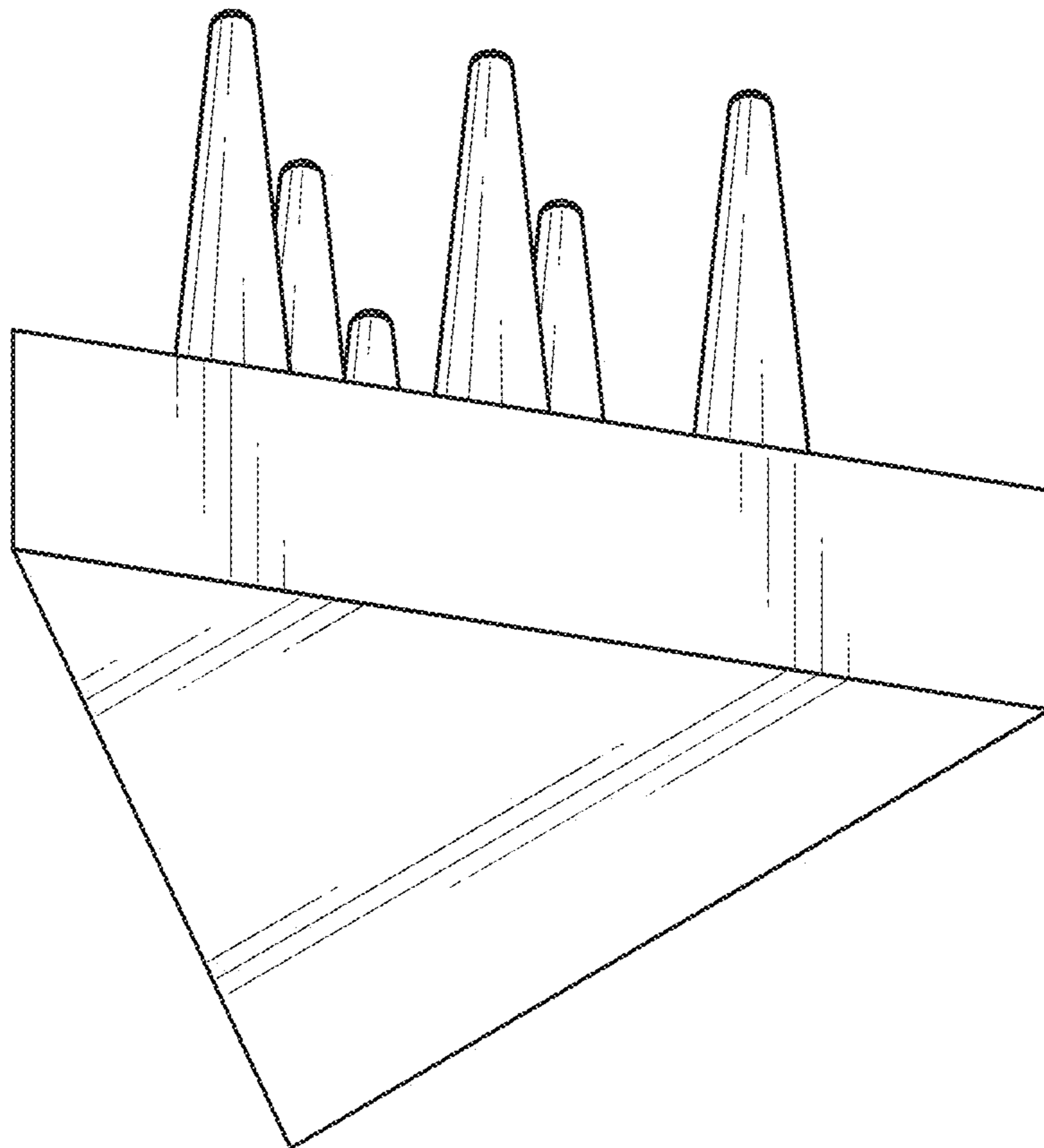


FIG. 2

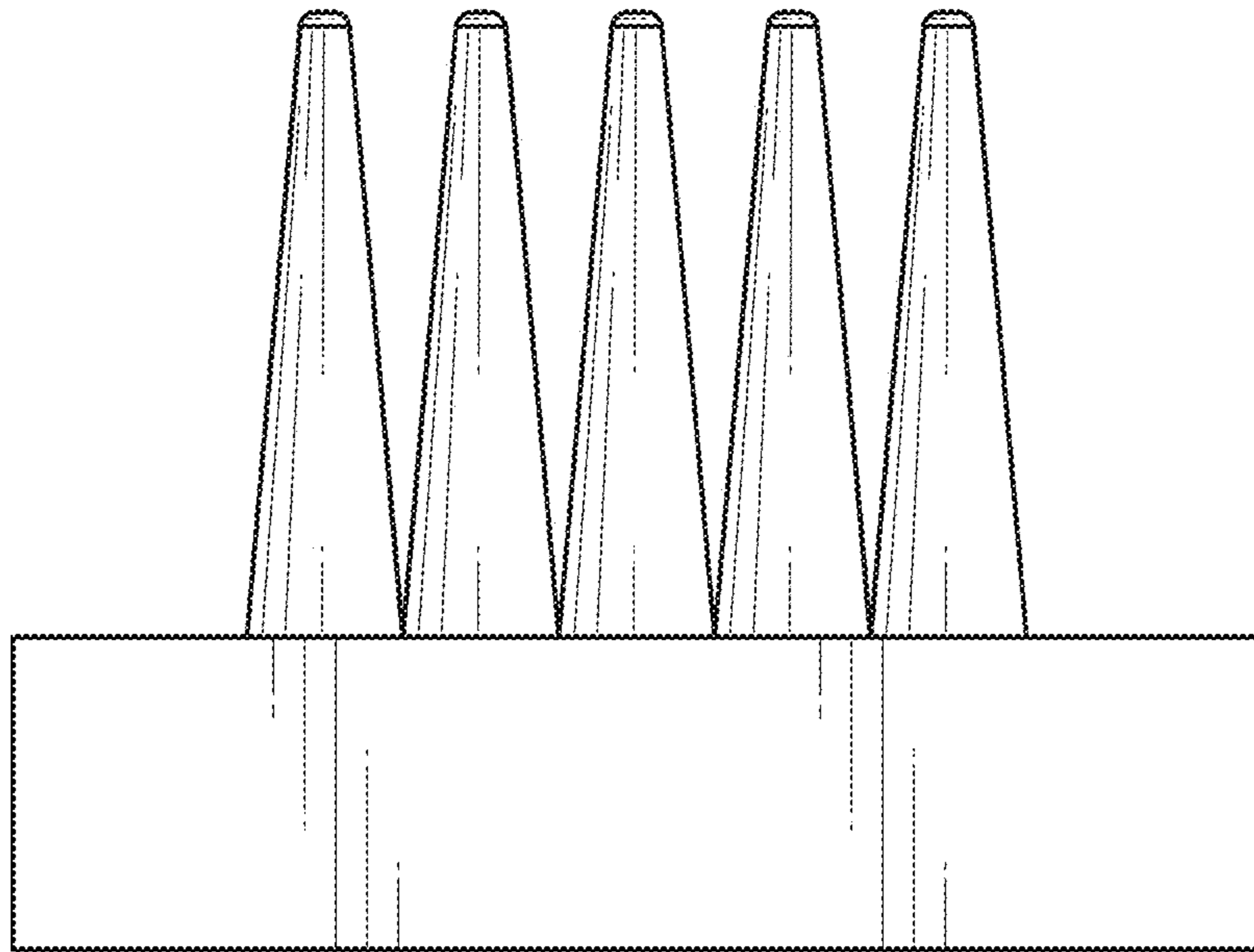


FIG. 3

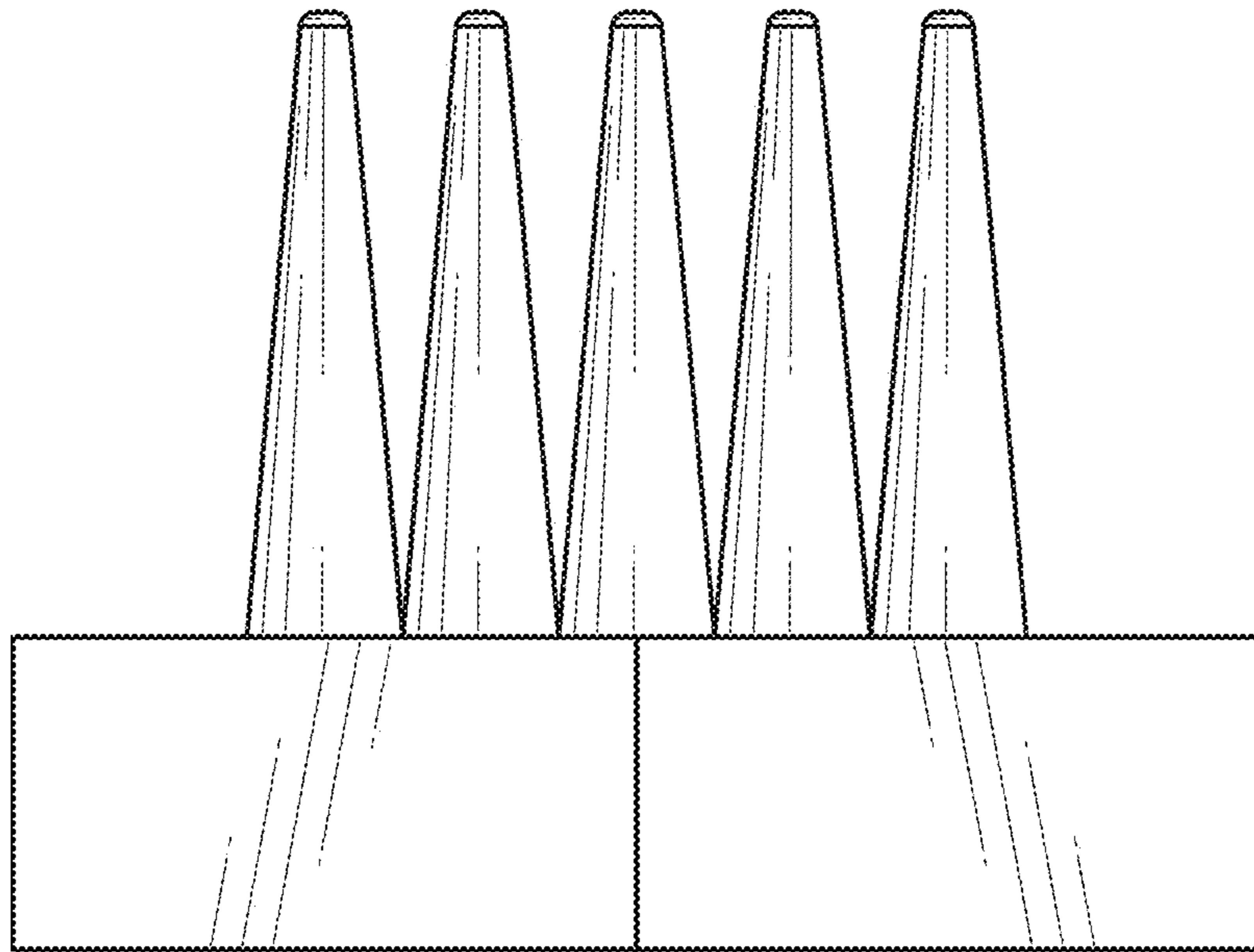


FIG. 4

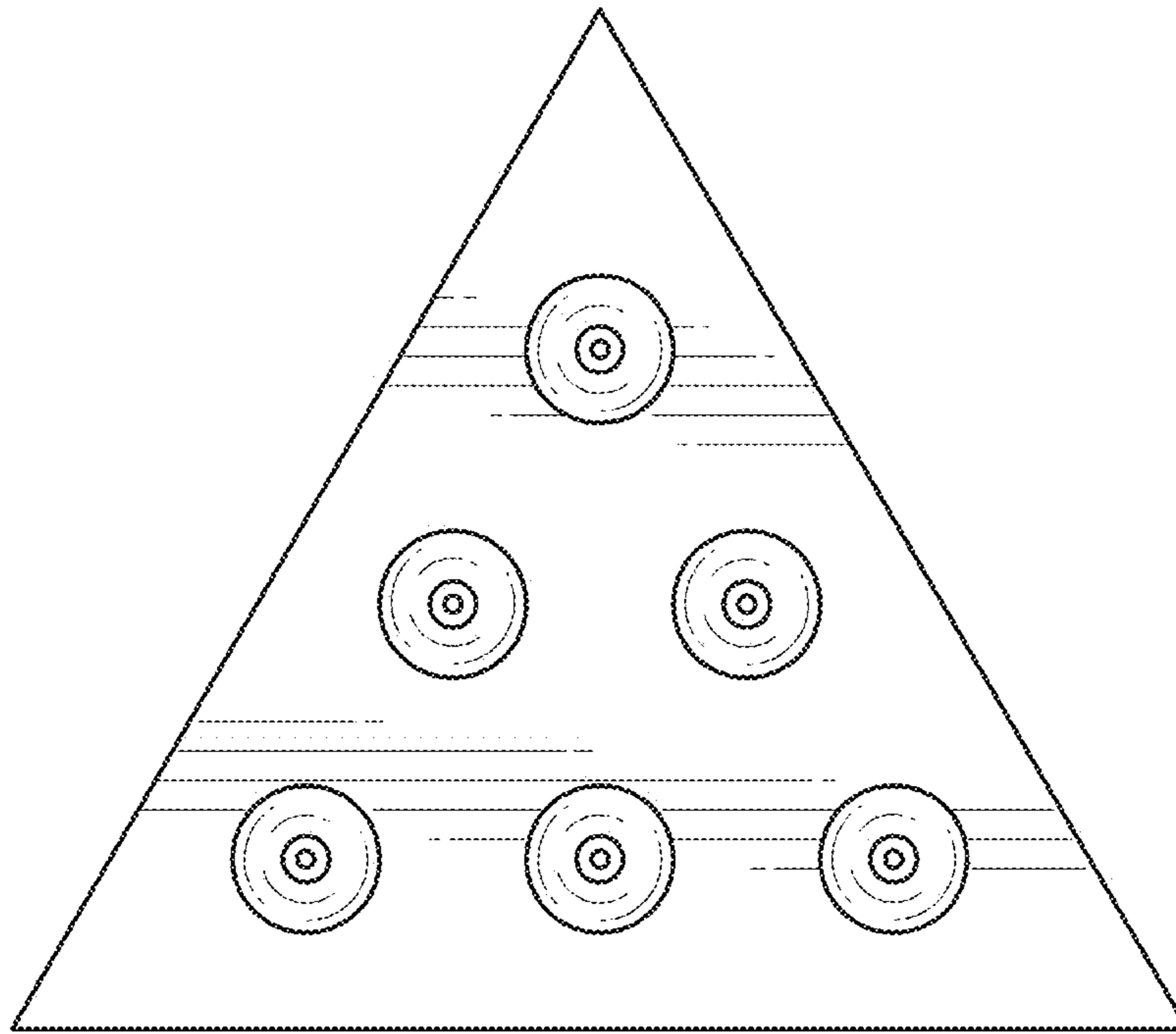


FIG. 5

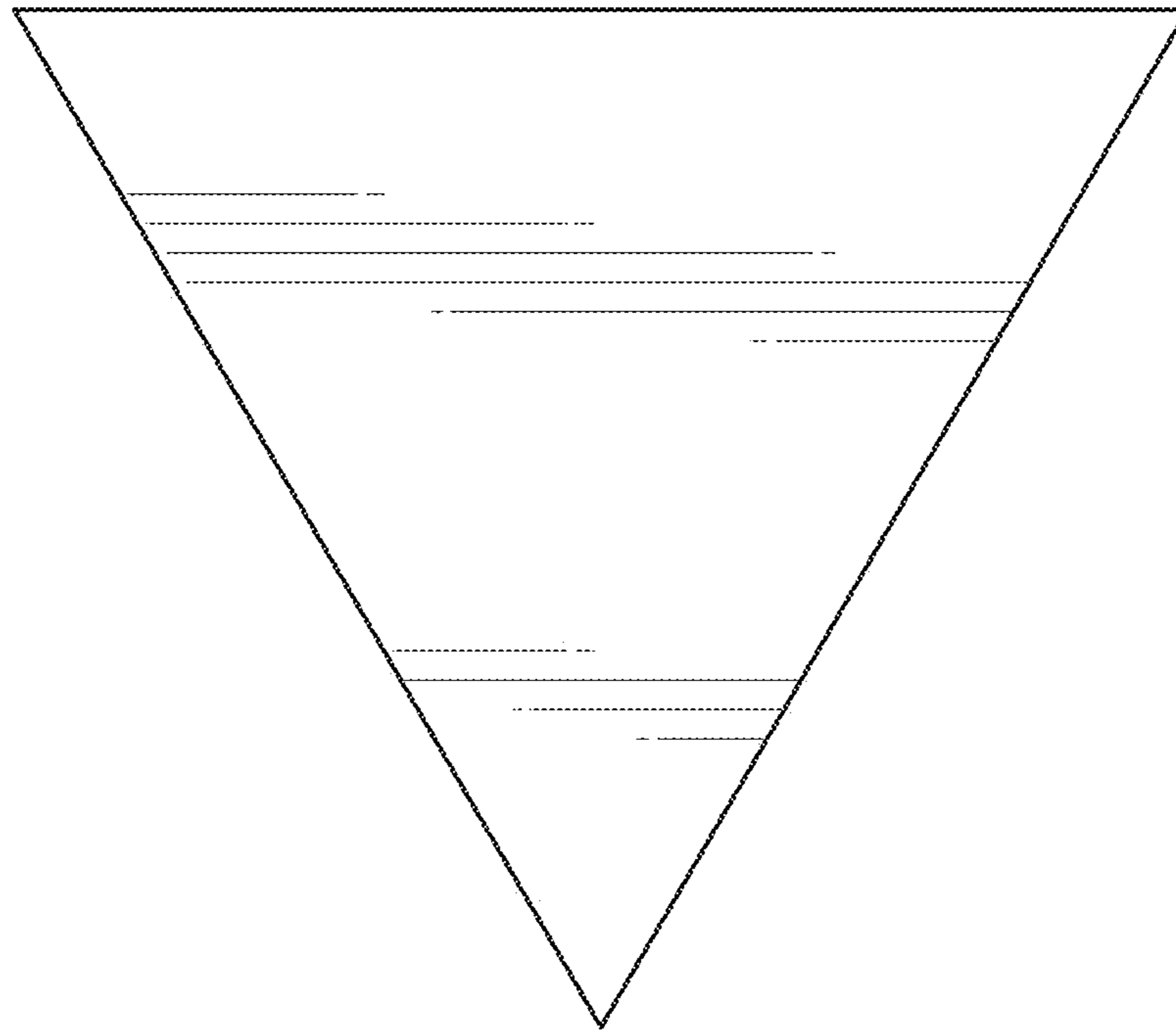


FIG. 6

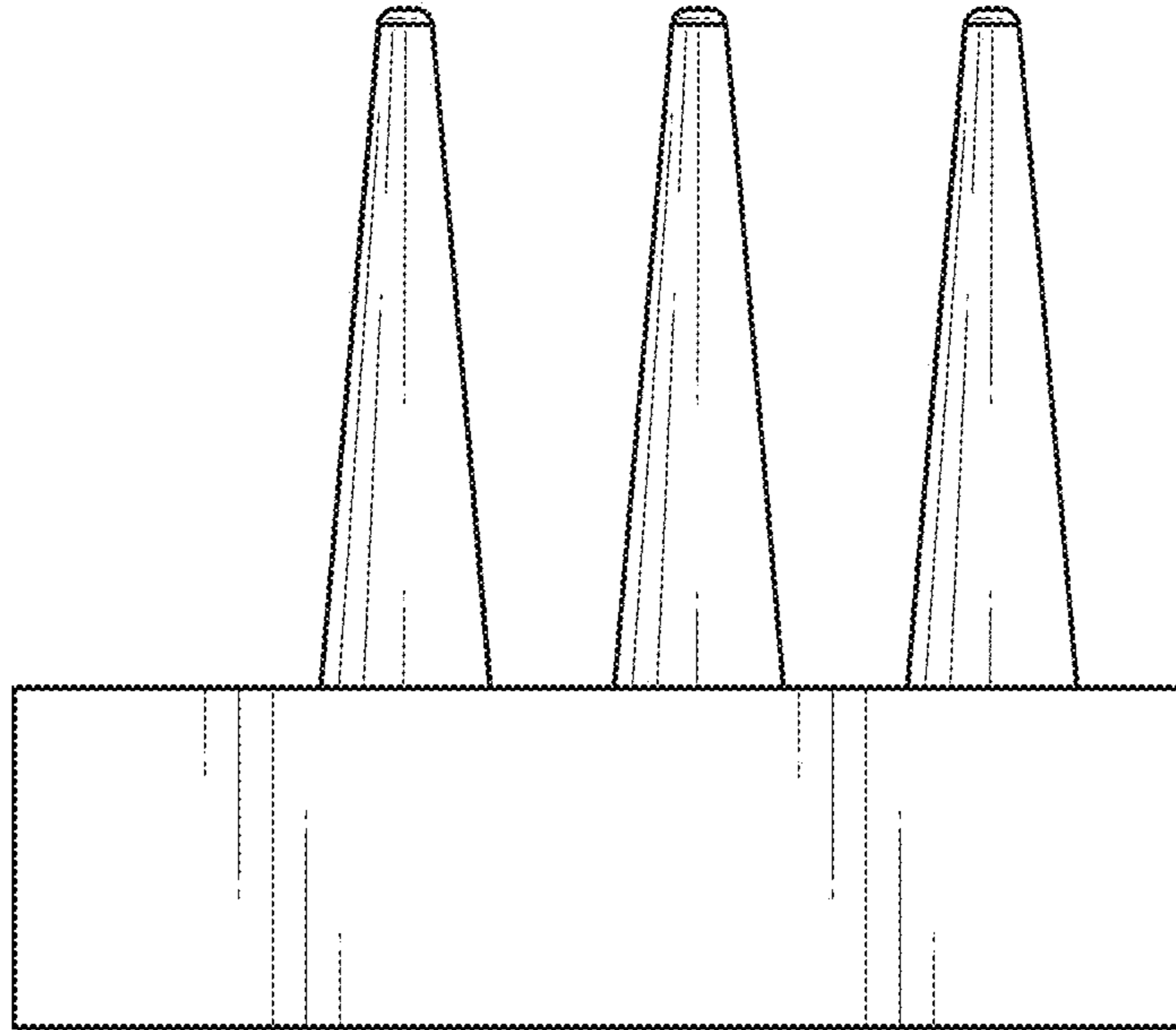


FIG. 7

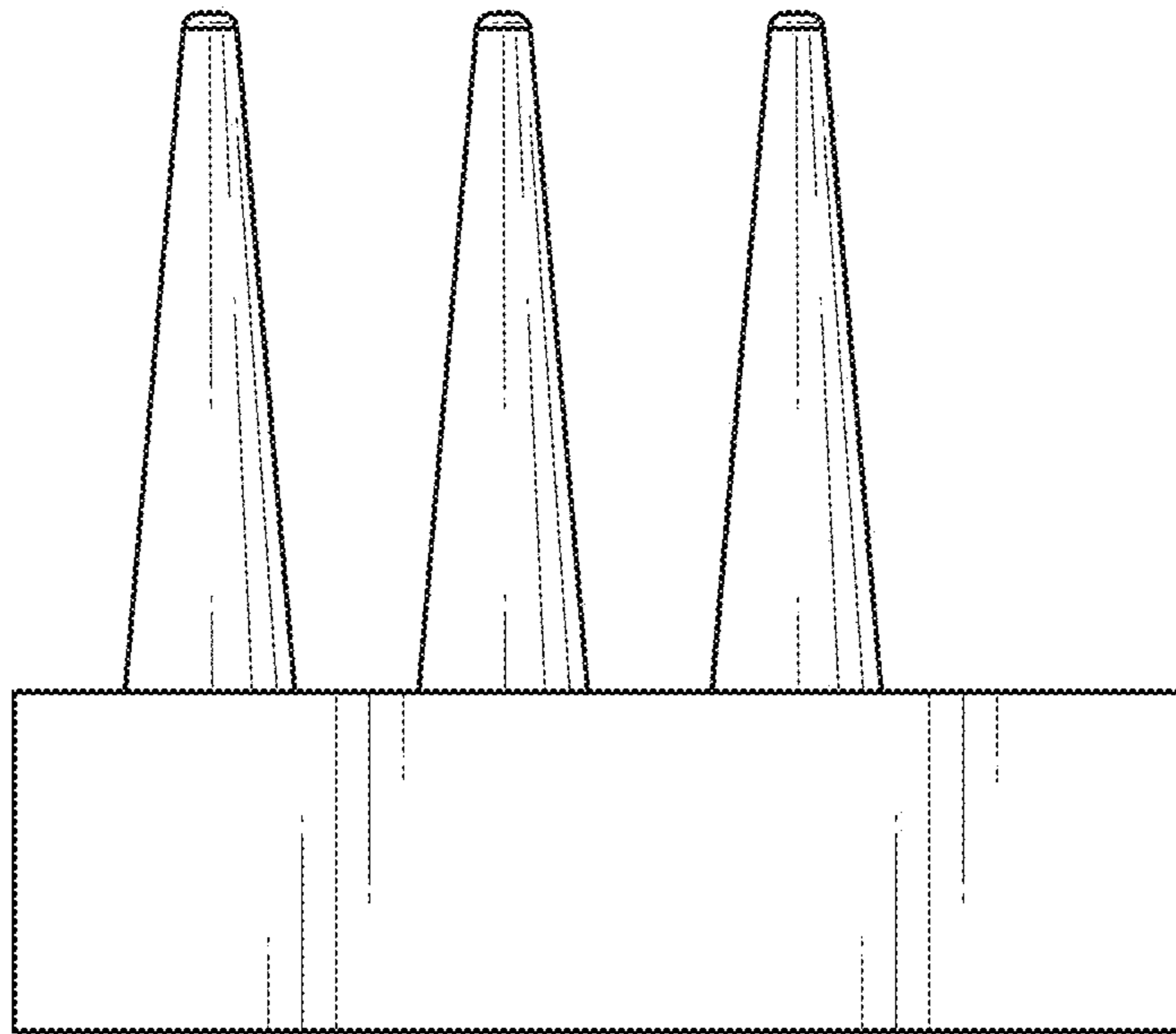


FIG. 8

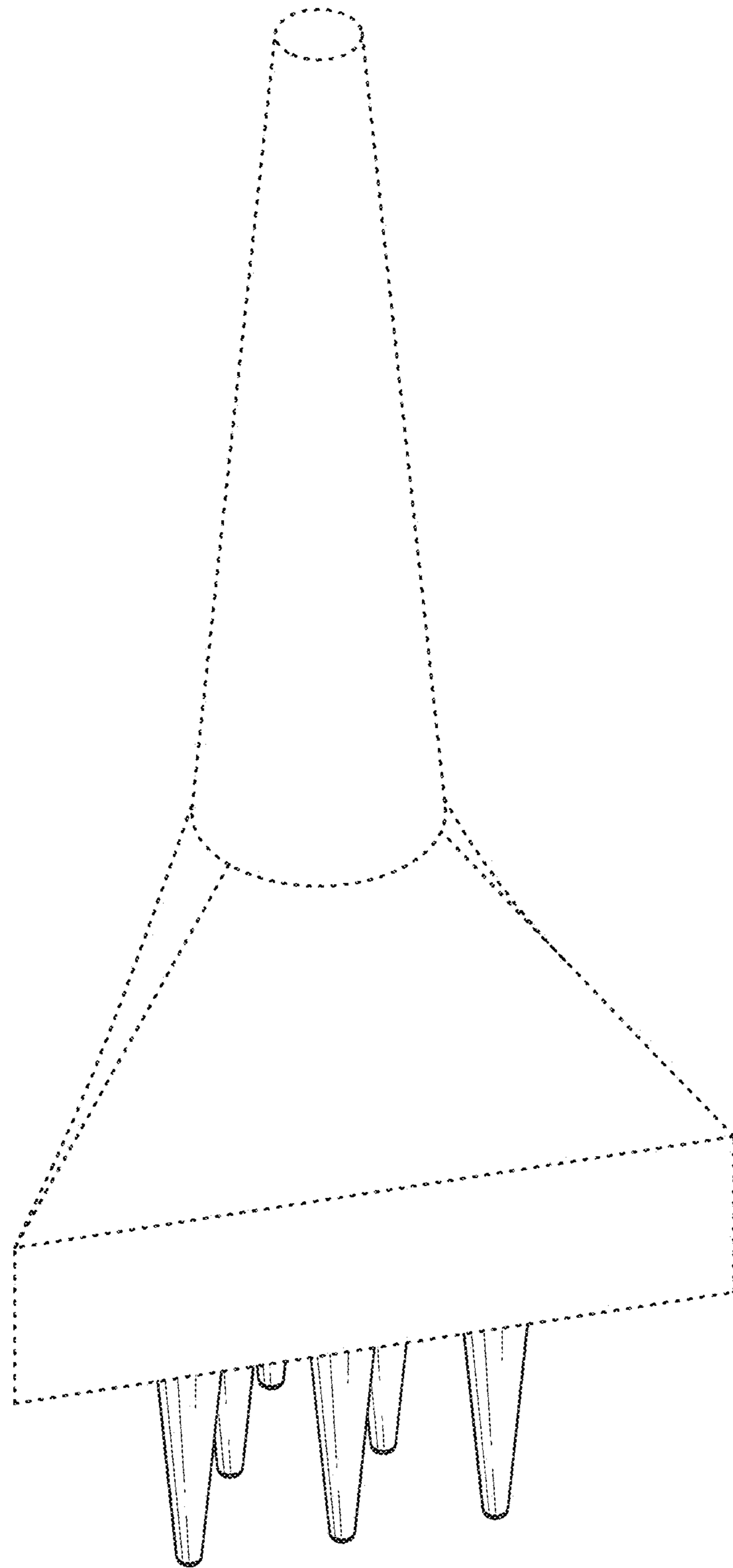


FIG. 9

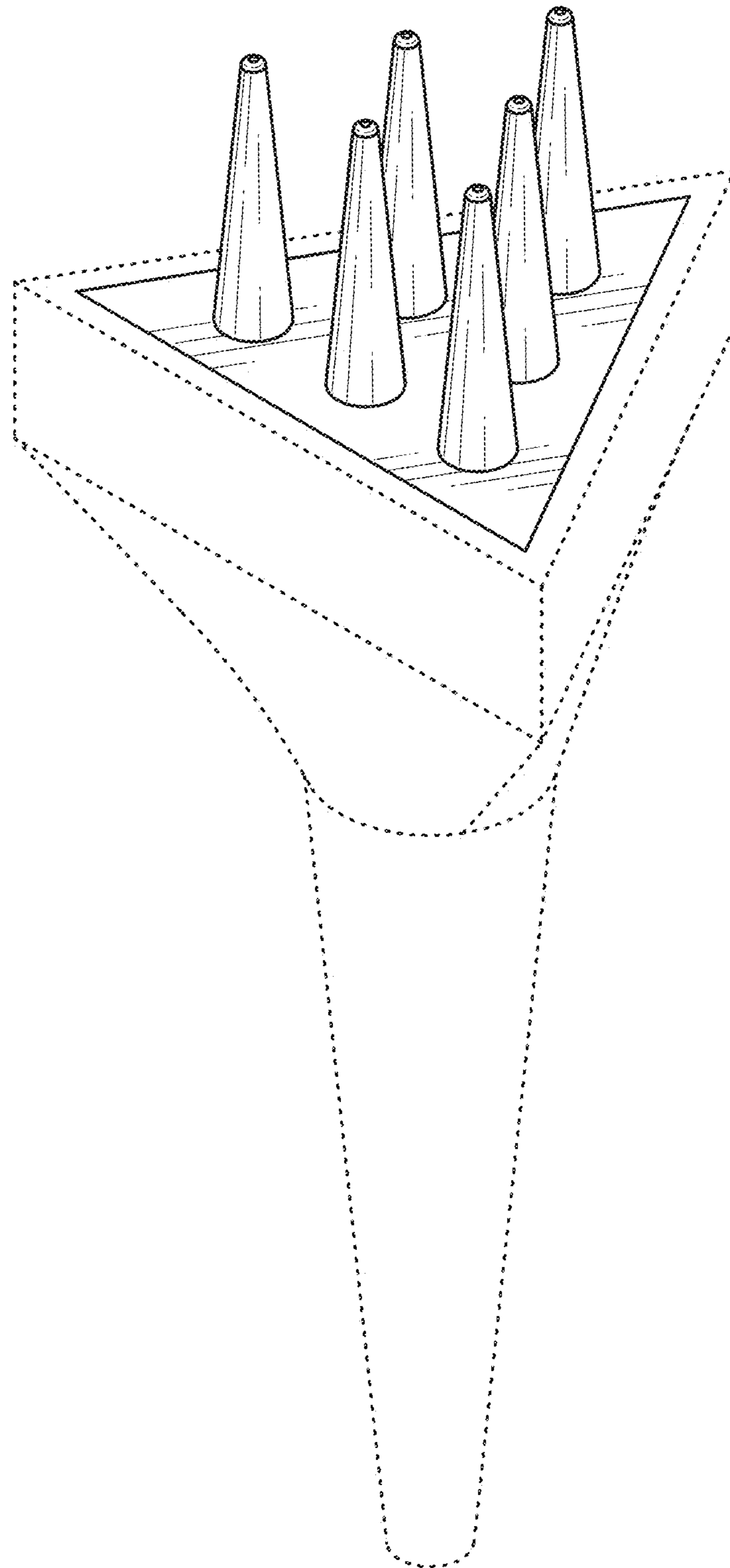


FIG. 10