



US00D955515S

(12) **United States Design Patent**
Chang

(10) **Patent No.:** **US D955,515 S**
(45) **Date of Patent:** **** Jun. 21, 2022**

(54) **HIP/LEG TRAINING STRAP**

(71) Applicant: **Ji Yun Enterprise Co., Ltd.**, New Taipei (TW)

(72) Inventor: **Yi-Hsuan Chang**, New Taipei (TW)

(73) Assignee: **Ji Yun Enterprise Co., Ltd.**, New Taipei (TW)

(**) Term: **15 Years**

(21) Appl. No.: **29/738,057**

(22) Filed: **Jun. 15, 2020**

(51) **LOC (13) Cl.** **21-02**

(52) **U.S. Cl.**
USPC **D21/694**

(58) **Field of Classification Search**
USPC D21/662, 694, 685, 683, 668, 686, 684
See application file for complete search history.

(56) **References Cited**

U.S. PATENT DOCUMENTS

4,243,028	A *	1/1981	Puyana	A61F 13/108
					D29/100
D281,005	S *	10/1985	Larsen	D24/190
D582,994	S *	12/2008	Ulichney	D21/683
D664,612	S *	7/2012	Pinskiy	D21/662
8,968,121	B2 *	3/2015	Leggett	A63B 69/0002
					473/422
D761,924	S *	7/2016	Sato	D21/662
D813,960	S *	3/2018	Boruch	D21/684

(Continued)

OTHER PUBLICATIONS

Iron bull strength, announced 2019[online], site visited Mar. 9, 2022]. Available on internet, URL:https://www.amazon.com/Iron-Bull-Strength-Straps-Machines/dp/B07RTP96SZ/ref=sr_1_157?

dchild=1&keywords=hip%2Band%2Bleg%2Btraining%2Bstrap &qid=1632354172&sr=8-157&th=1 (Year: 2019).*

(Continued)

Primary Examiner — Khawaja Anwar
Assistant Examiner — Julice Seung Eun Oum

(57) **CLAIM**

The ornamental design for a hip/leg training strap, as shown and described.

DESCRIPTION

FIG. 1 is a perspective view of a hip/leg training strap showing my design;

FIG. 2 is a front elevational view thereof;

FIG. 3 is a rear elevational view thereof;

FIG. 4 is a left side view thereof;

FIG. 5 is a right side view thereof;

FIG. 6 is a top plan view thereof;

FIG. 7 is a bottom plan view thereof;

FIG. 8 is a reference view showing the use state thereof in which the hip/leg training strap is fastened end-to-end to form a band;

FIG. 9 is another reference view showing the use state thereof in which the hip/leg training strap is wrapped around the ankle with an elastic rope being attached to the hook ring on the strap; and,

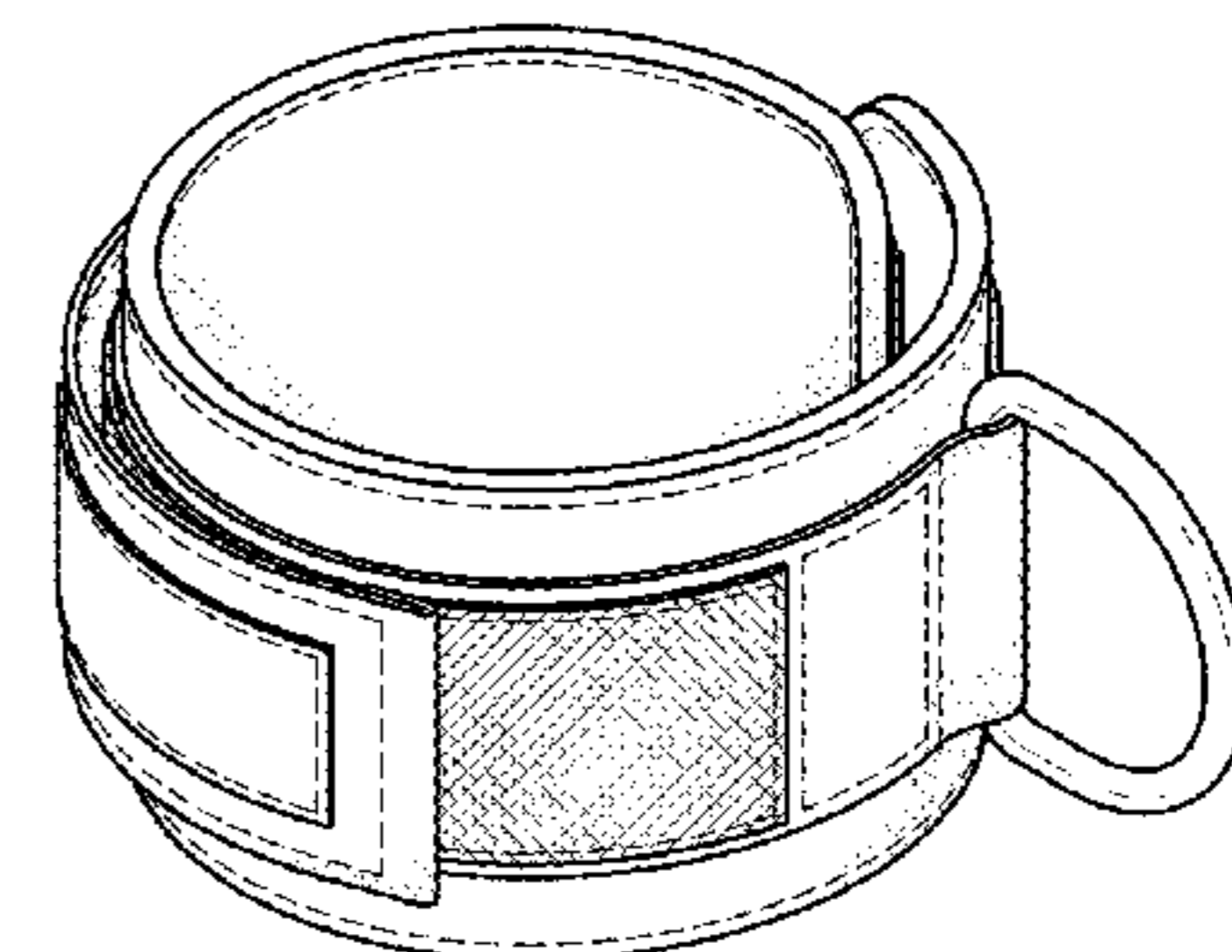
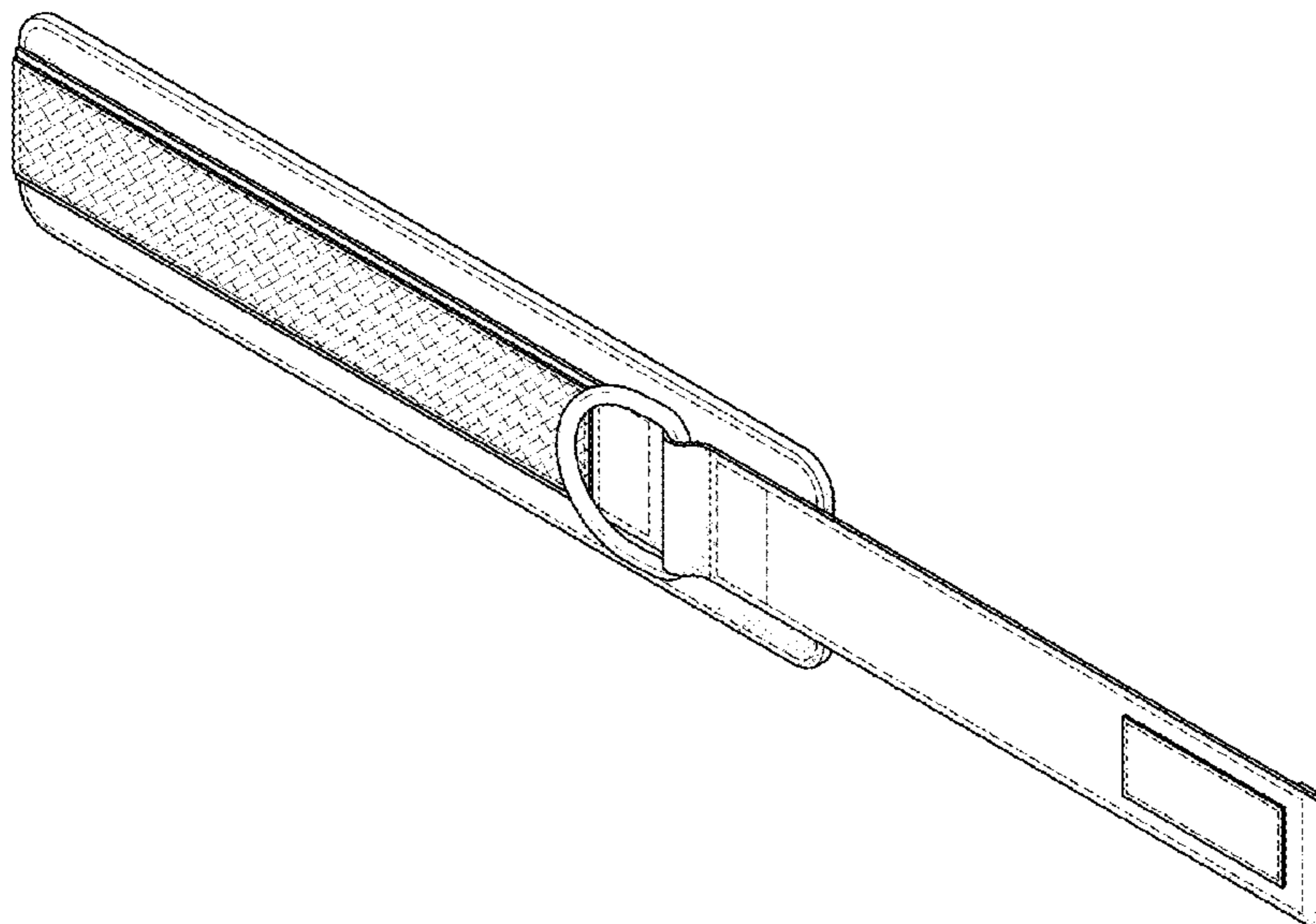
FIG. 10 is another yet reference view showing the use state thereof in which the hip/leg training strap is wrapped around the thigh with an elastic rope being attached to the hook ring on the strap.

The broken lines in the drawings shown on the surface of the article represent the stitching seams and form no part of the claimed design.

The shading in the drawings shows texture, not surface ornamentation, and forms no part of the claimed design.

In the drawings, the broken lines shown in the FIGS. 9-10 indicate portions of the article not claimed or portions of unclaimed environment, and form no part of the claimed design.

1 Claim, 7 Drawing Sheets



(56)

References Cited

U.S. PATENT DOCUMENTS

D897,544 S * 9/2020 Abecasis D21/683
D903,017 S * 11/2020 Belveal D21/662
2005/0085350 A1* 4/2005 Shen A63B 23/00
482/91

OTHER PUBLICATIONS

Toco friedo, announced 2020[online], site visited Mar. 9, 2022].
Available on internet, URL:https://www.amazon.com/TOCO-FREIDO-Resistance-Training-Physical/dp/B08795KLR6/ref=sr_1_231?dchild=1&keywords=hip%2Band%2Bleg%2Btraining%2Bstrap&qid=1632354479&sr=8-231&th=1 (Year: 2020).*

* cited by examiner

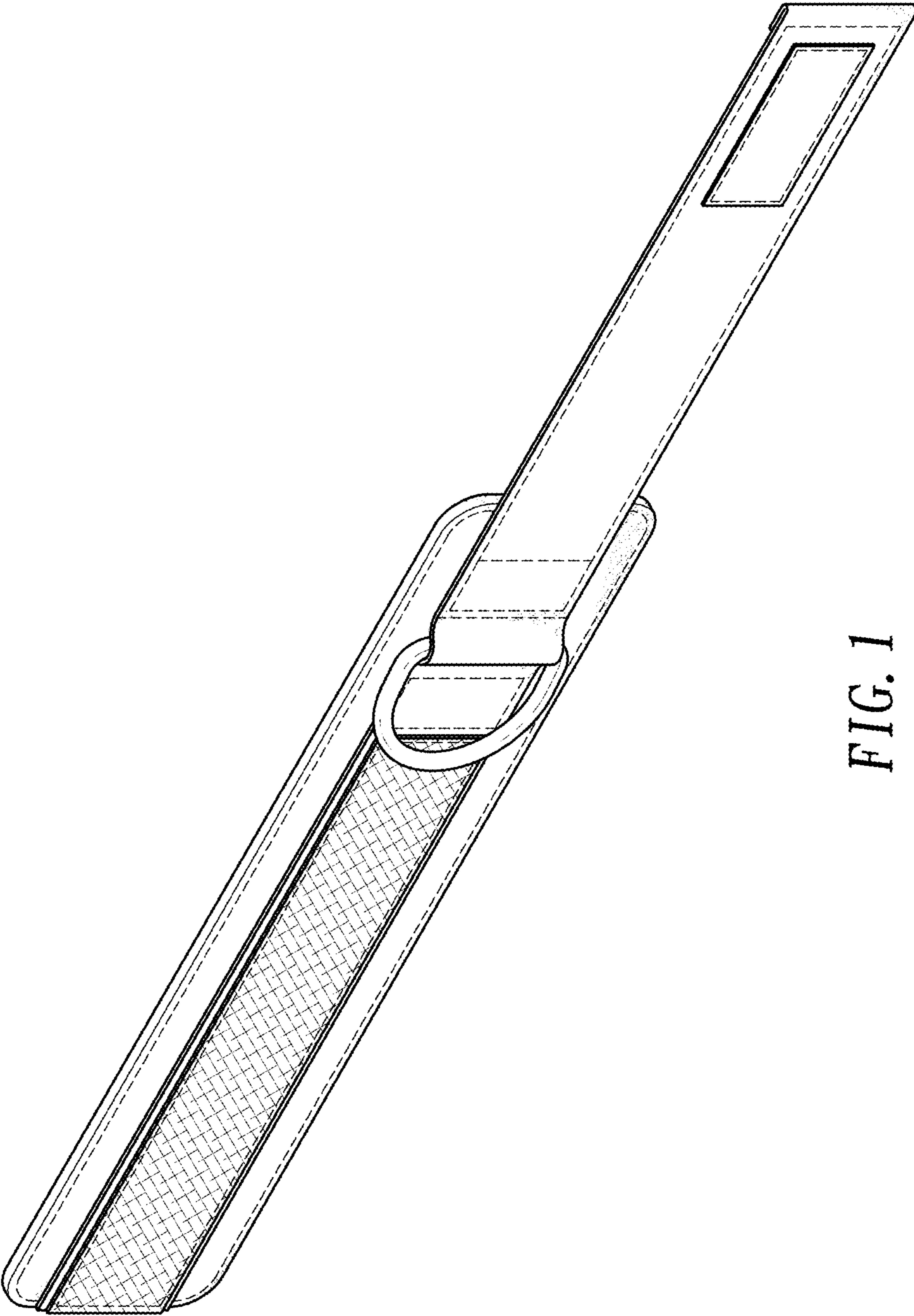


FIG. 1

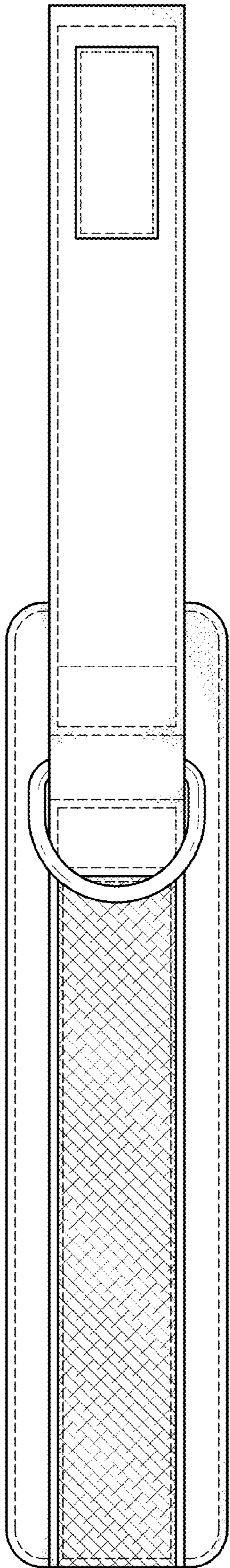


FIG. 2

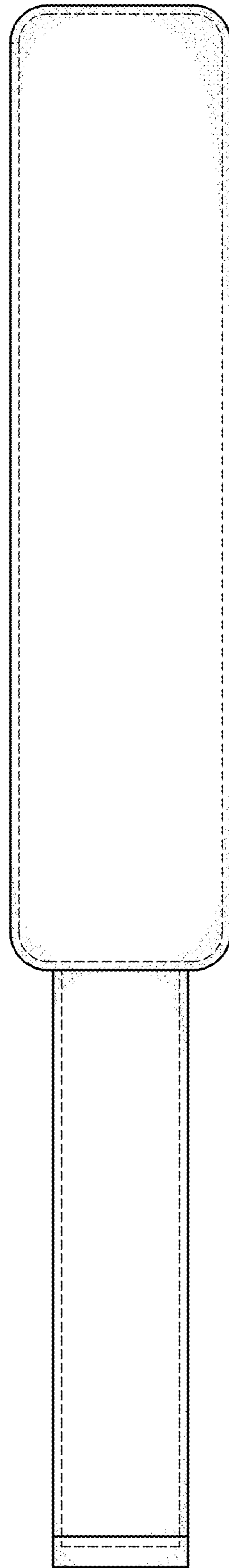


FIG. 3

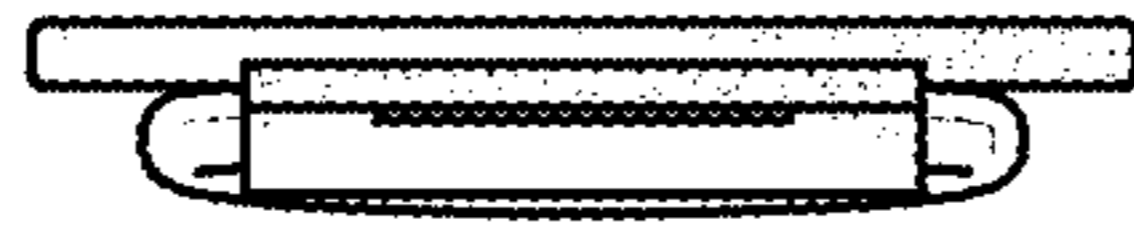


FIG. 5

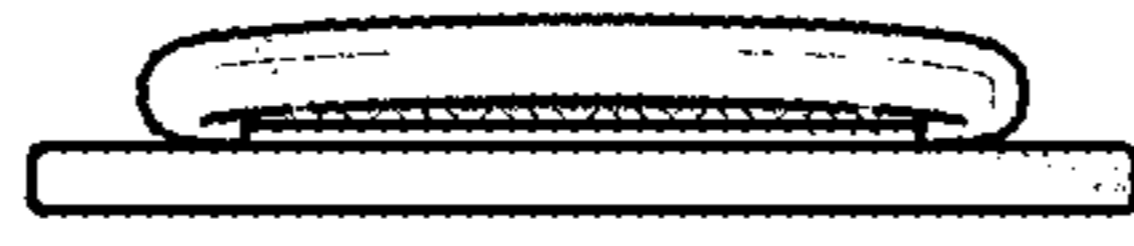


FIG. 4



FIG. 6



FIG. 7

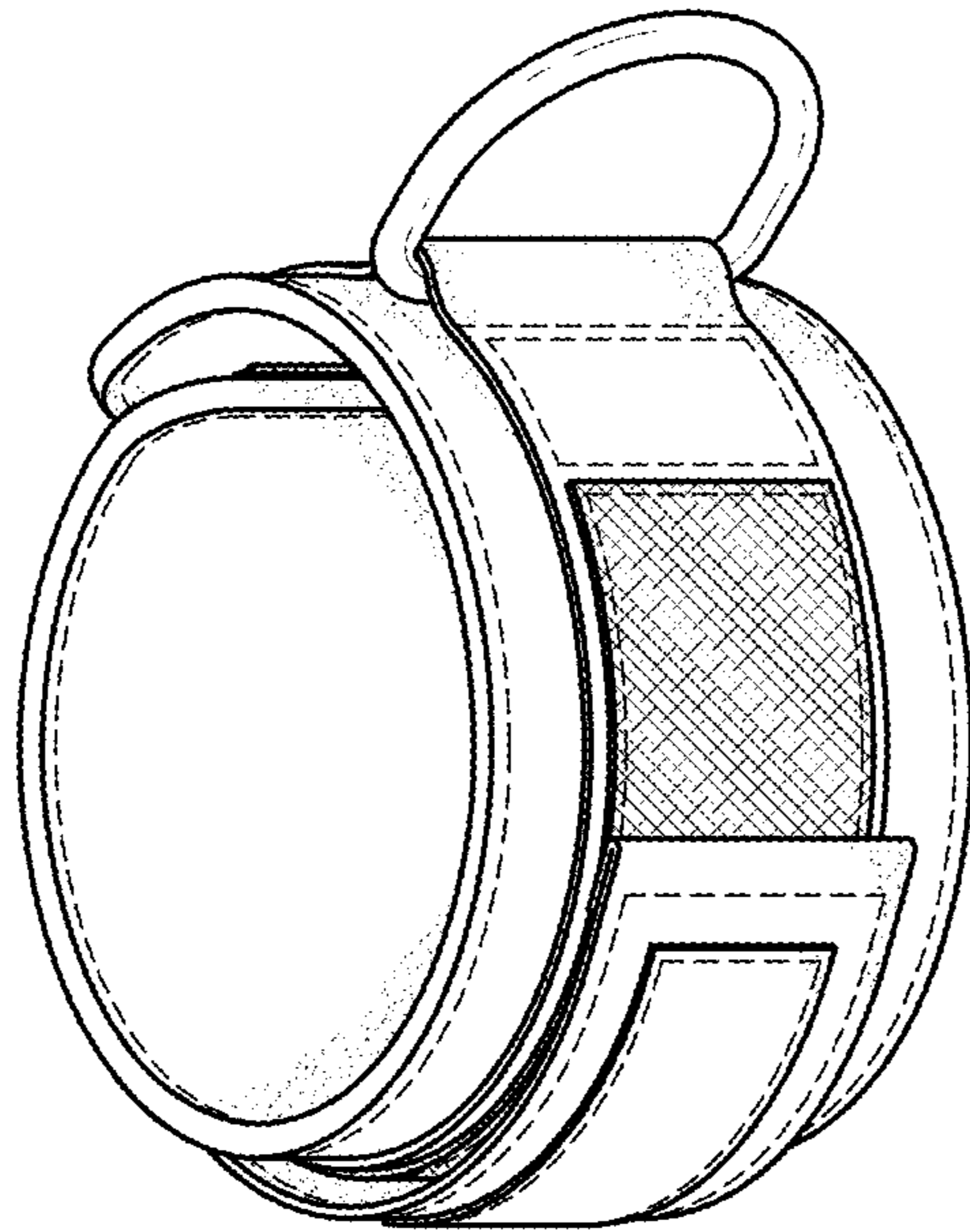


FIG. 8

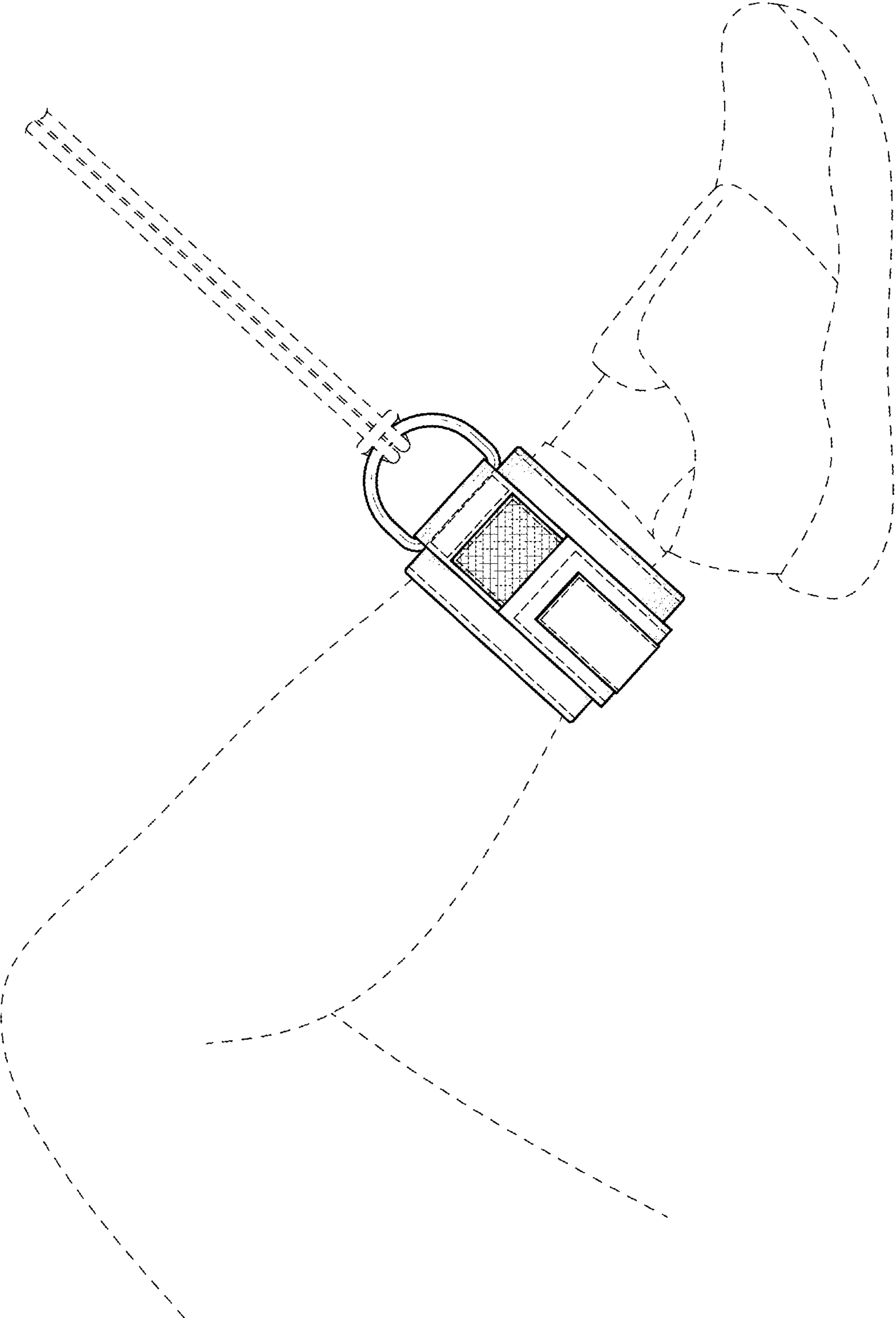


FIG. 9

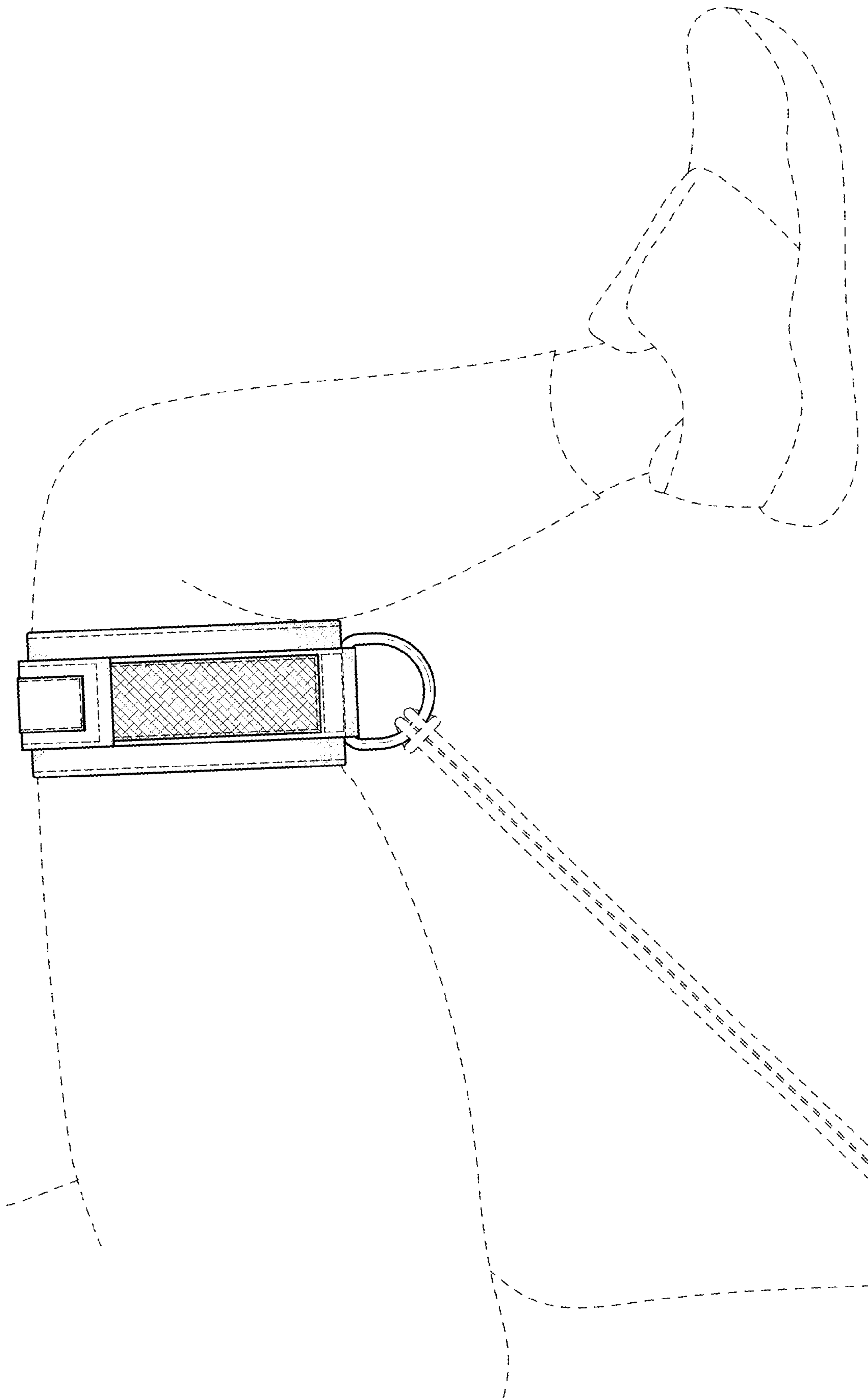


FIG. 10