



US00D955514S

(12) **United States Design Patent**  
**Chuang**

(10) **Patent No.:** **US D955,514 S**  
(45) **Date of Patent:** **\*\* Jun. 21, 2022**

(54) **SWAY FITNESS CHAIR**

(71) Applicant: **Lung-Fei Chuang**, Taichung (TW)

(72) Inventor: **Lung-Fei Chuang**, Taichung (TW)

(\*\*) Term: **15 Years**

(21) Appl. No.: **29/751,442**

(22) Filed: **Sep. 21, 2020**

(51) **LOC (13) Cl.** ..... **21-02**

(52) **U.S. Cl.**  
USPC ..... **D21/690**

(58) **Field of Classification Search**  
USPC ..... D21/690, 662, 668, 686, 688, 689;  
D6/338, 344, 348, 356, 375  
See application file for complete search history.

(56) **References Cited**

**U.S. PATENT DOCUMENTS**

|                   |         |        |       |            |
|-------------------|---------|--------|-------|------------|
| D365,610 S *      | 12/1995 | Fraser | ..... | D6/348     |
| D499,456 S *      | 12/2004 | Hsu    | ..... | D21/668    |
| D616,049 S *      | 5/2010  | Kwak   | ..... | D21/690    |
| D648,145 S *      | 11/2011 | Chuang | ..... | D6/344     |
| D663,366 S *      | 7/2012  | Ho     | ..... | D21/689    |
| D698,401 S *      | 1/2014  | Ho     | ..... | D21/688    |
| D698,876 S *      | 2/2014  | Ho     | ..... | D21/688    |
| 2019/0183712 A1 * | 6/2019  | Chuang | ..... | A61H 23/02 |

\* cited by examiner

*Primary Examiner* — Khawaja Anwar  
*Assistant Examiner* — Julice Seung Eun Oum  
(74) *Attorney, Agent, or Firm* — CKC & Partners Co., LLC

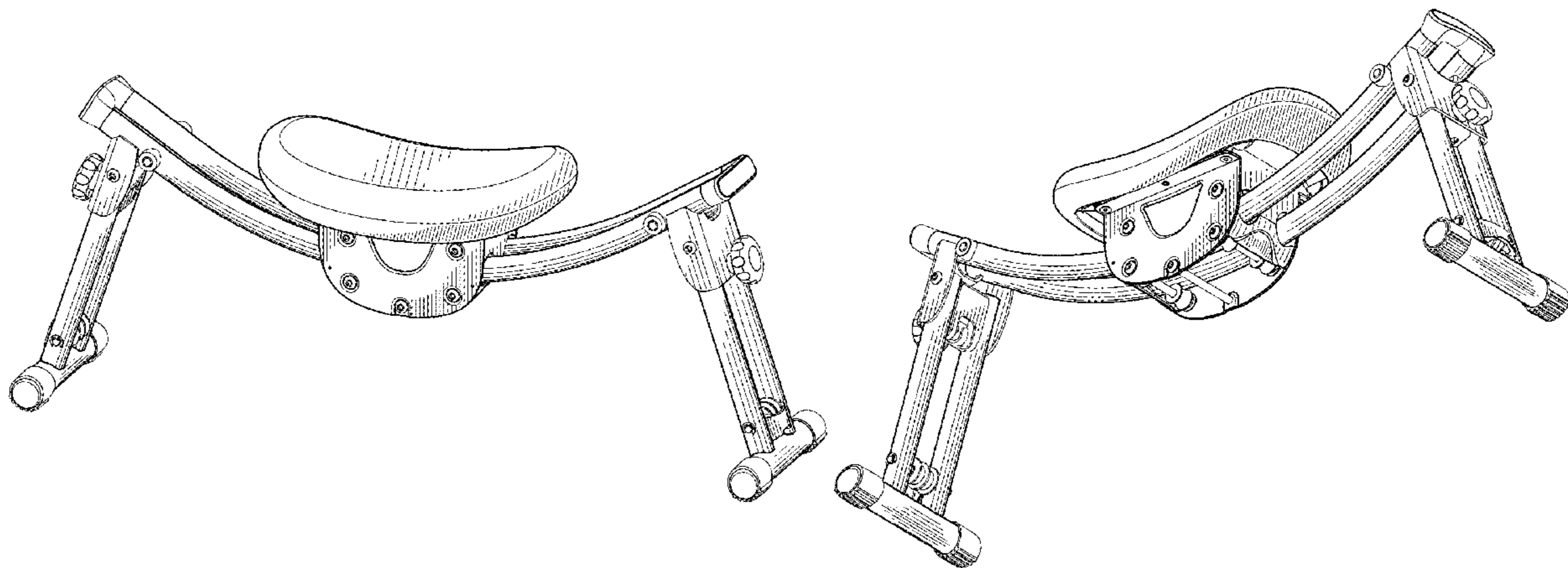
(57) **CLAIM**

The ornamental design for a sway fitness chair, as shown and described.

**DESCRIPTION**

FIG. 1 is a perspective view of a sway fitness chair showing my new design;  
FIG. 2 is a front view thereof;  
FIG. 3 is a back view thereof;  
FIG. 4 is a left side view thereof;  
FIG. 5 is a right side view thereof;  
FIG. 6 is a top view thereof;  
FIG. 7 is a bottom view thereof;  
FIG. 8 is a rear perspective view thereof;  
FIG. 9 is another perspective view of the sway fitness chair shown in use thereof; and,  
FIG. 10 is a rear perspective view according to FIG. 9.

**1 Claim, 7 Drawing Sheets**



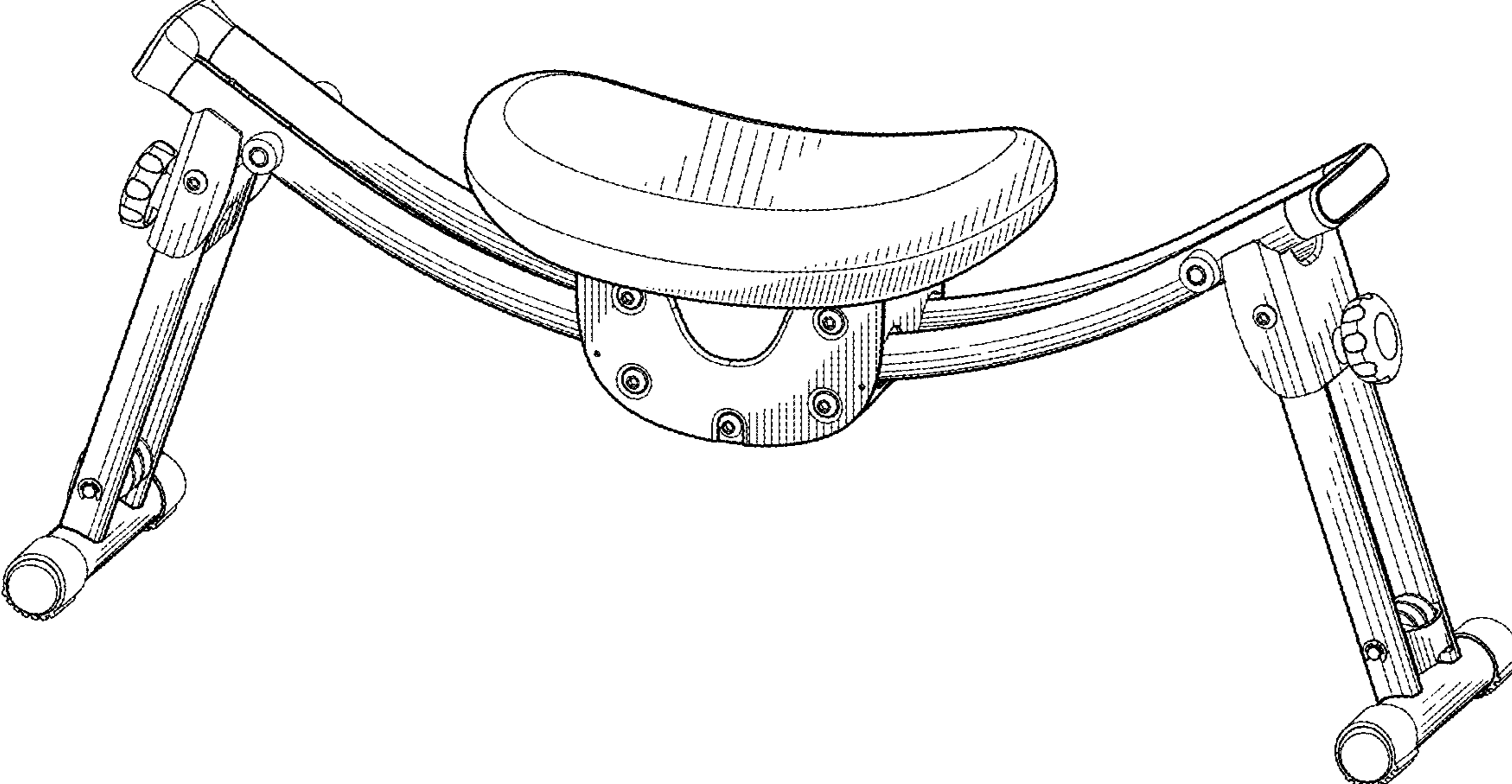


Fig. 1

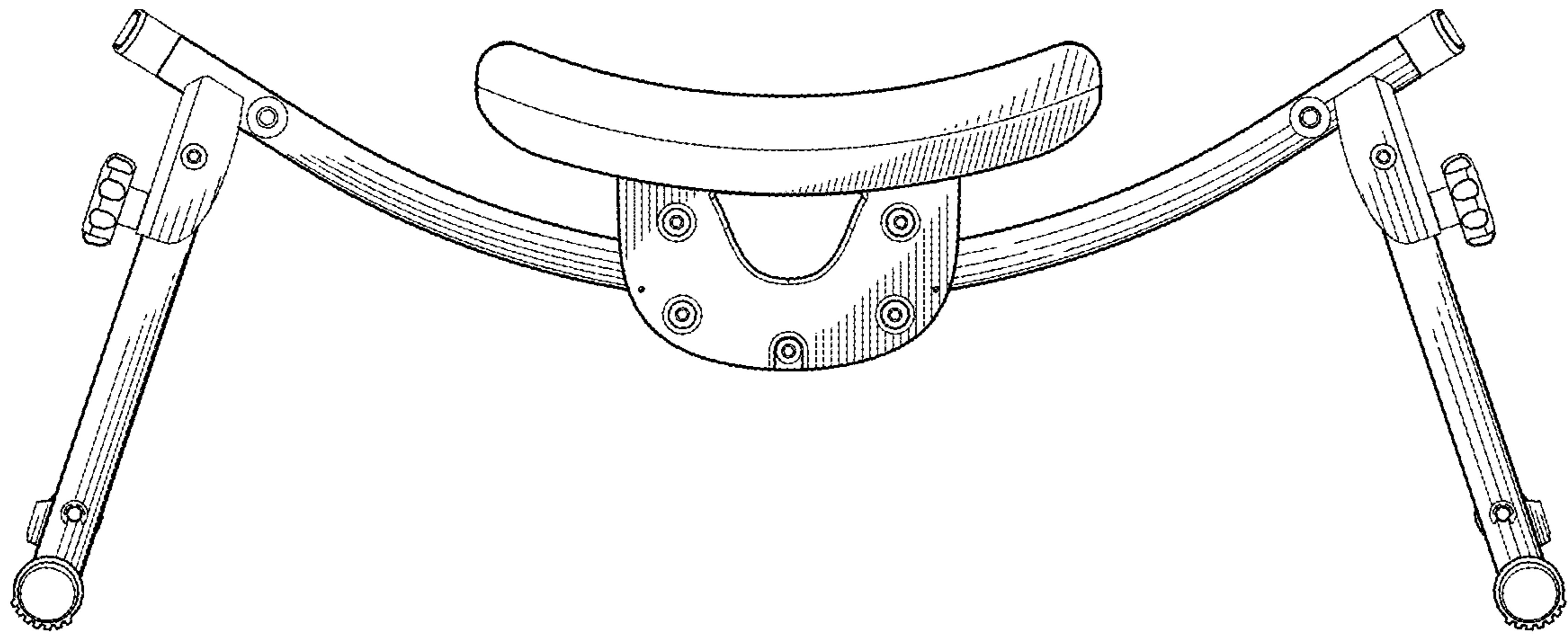


Fig. 2

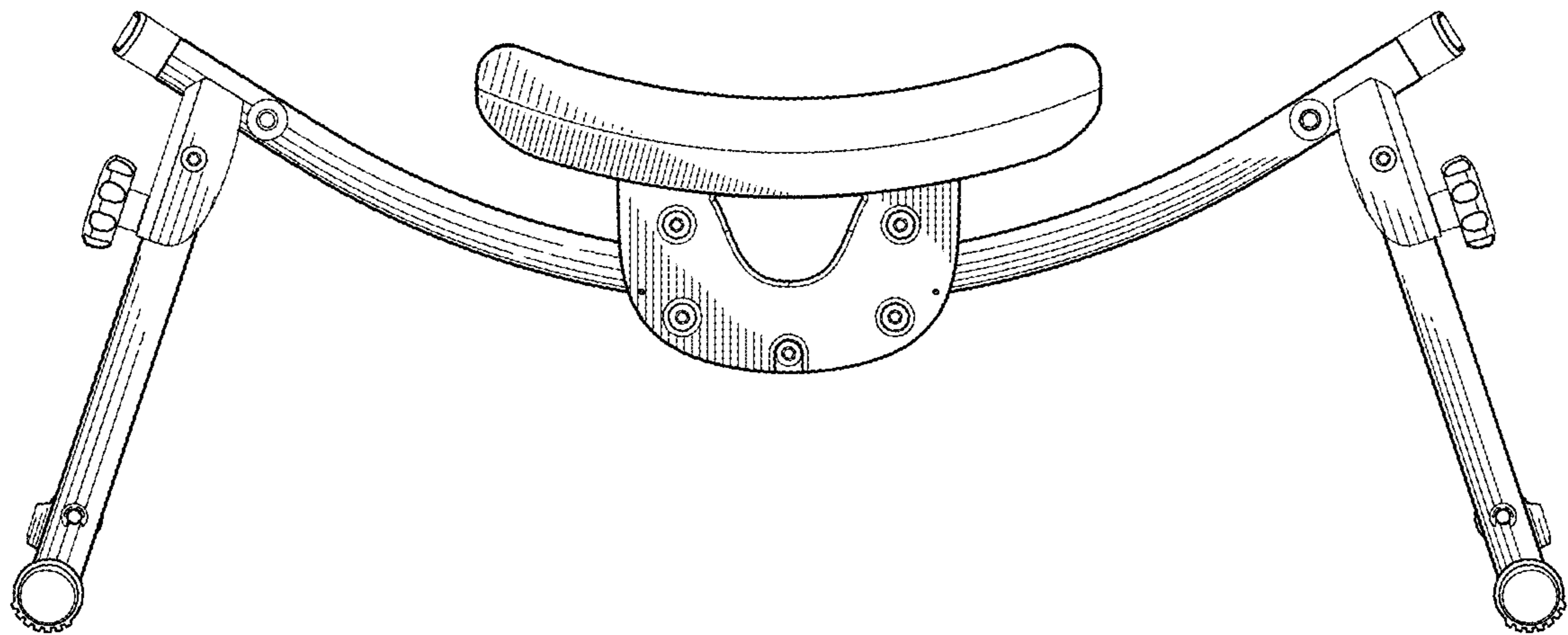


Fig. 3

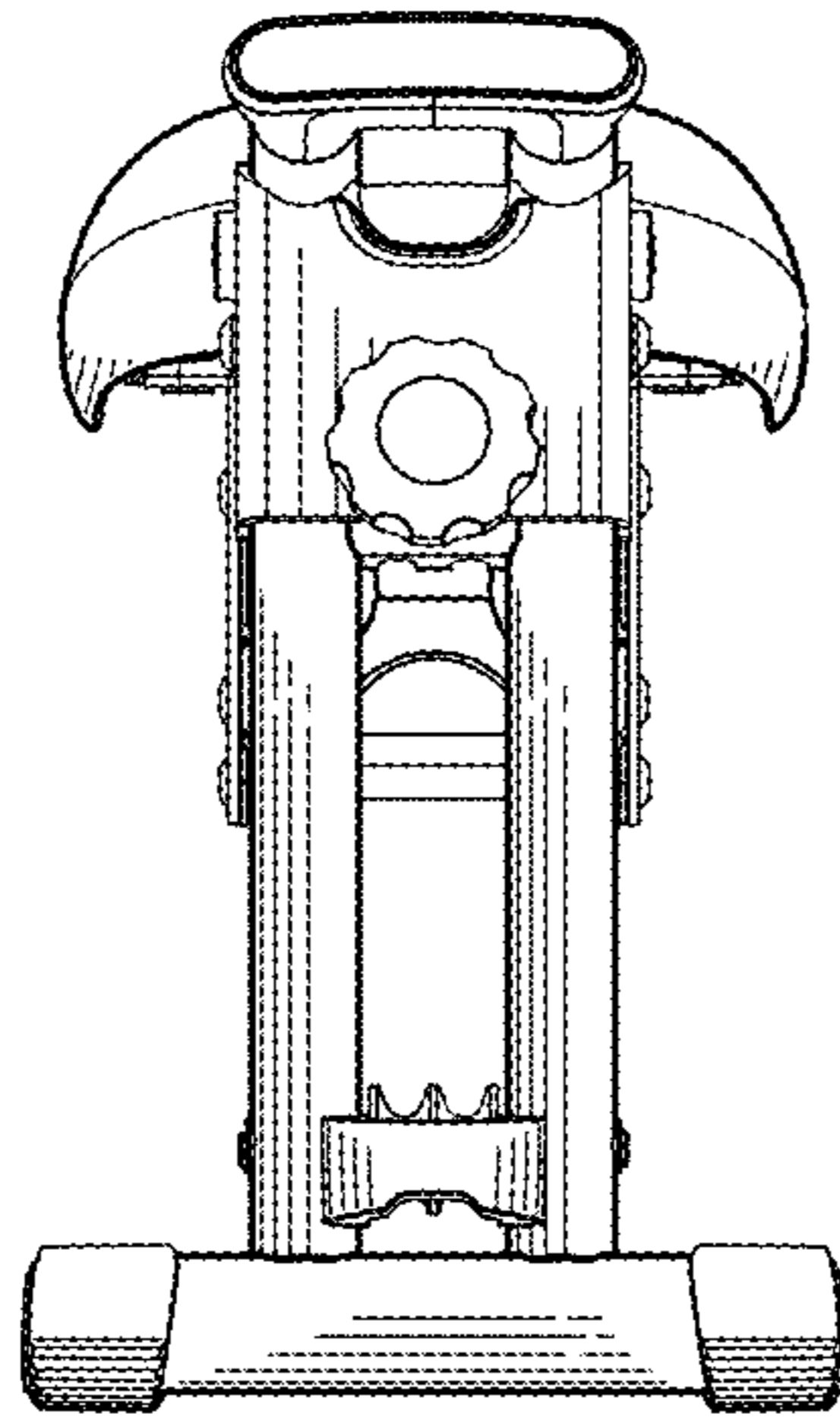


Fig. 4

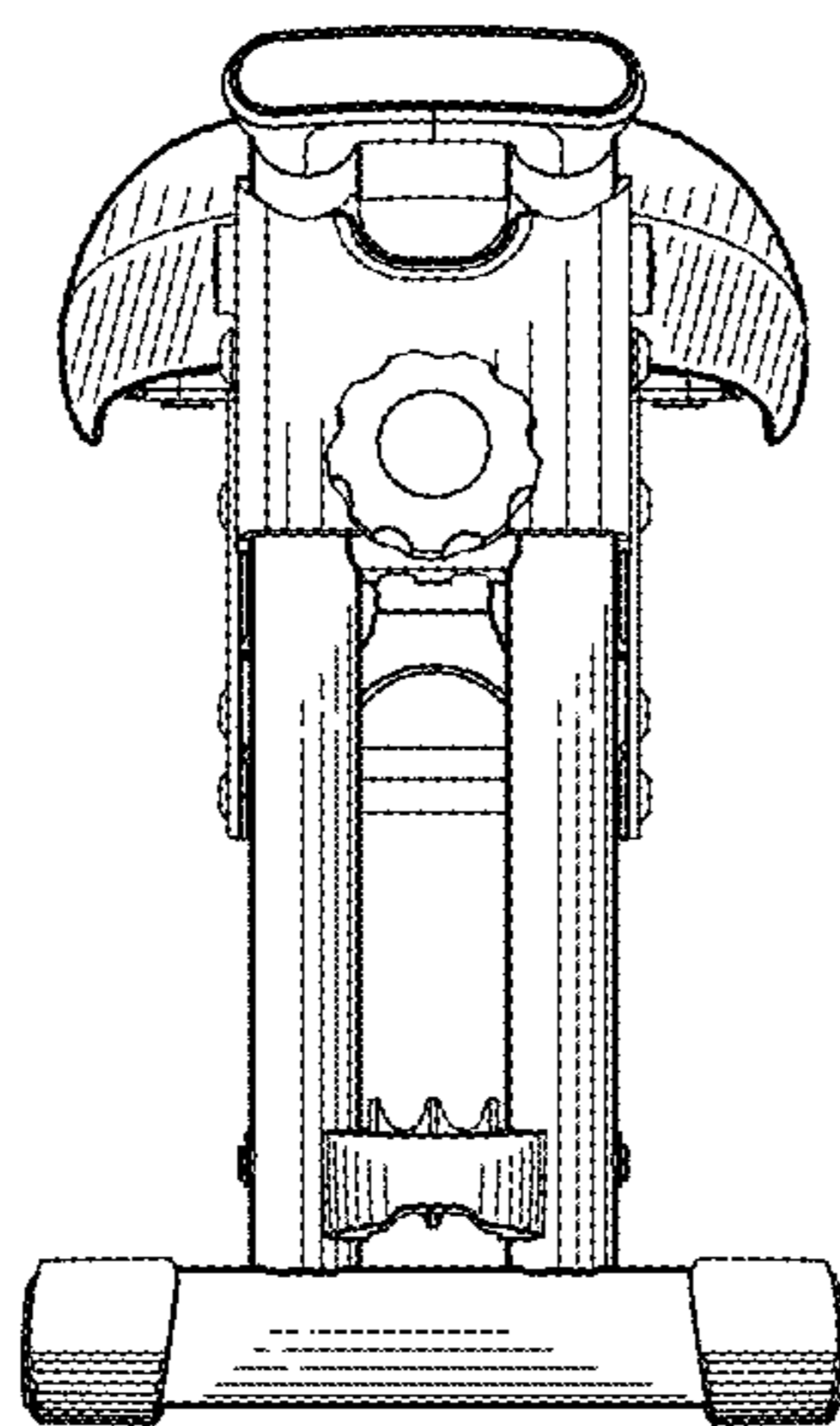


Fig. 5

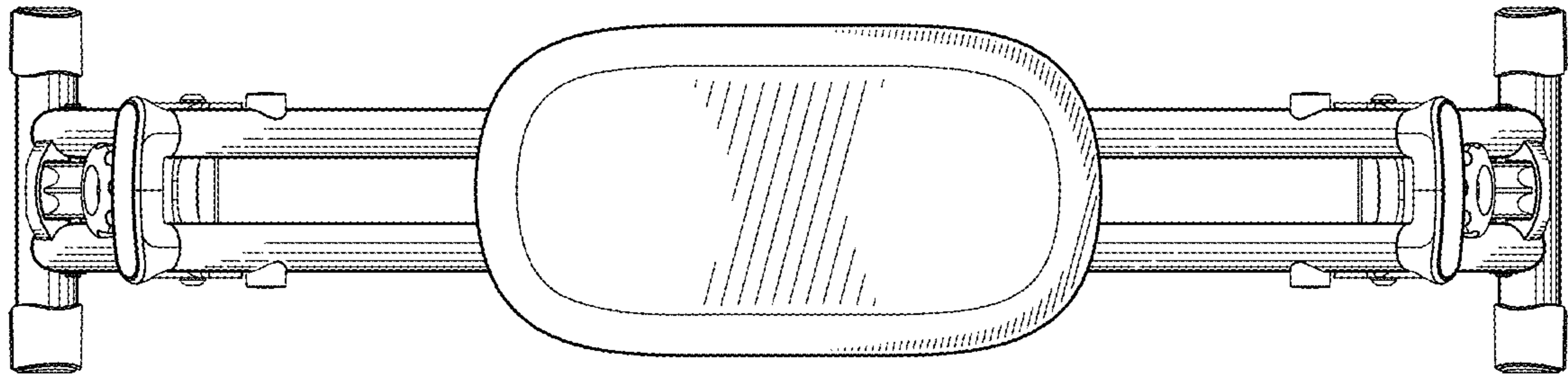


Fig. 6

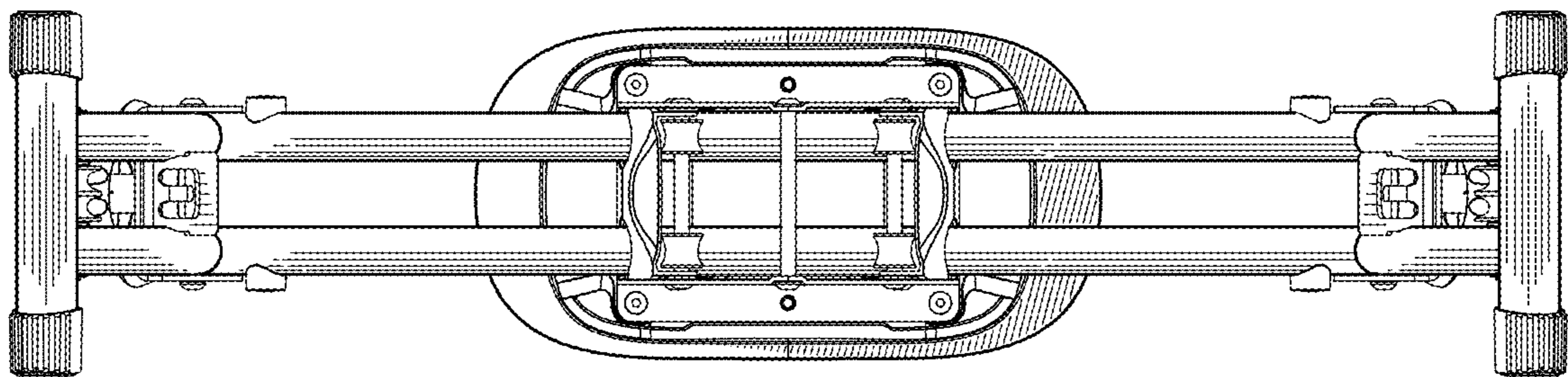


Fig. 7

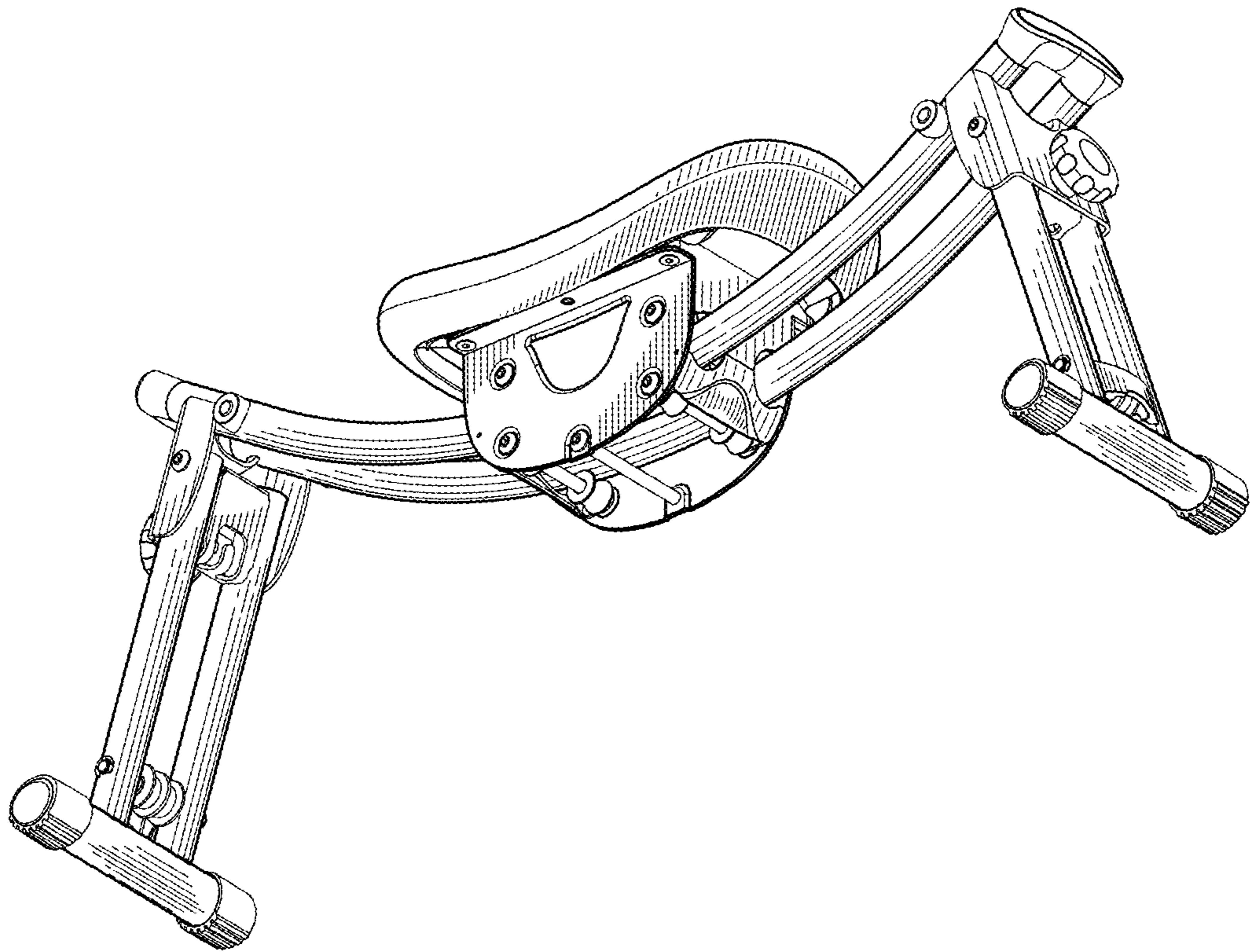


Fig. 8

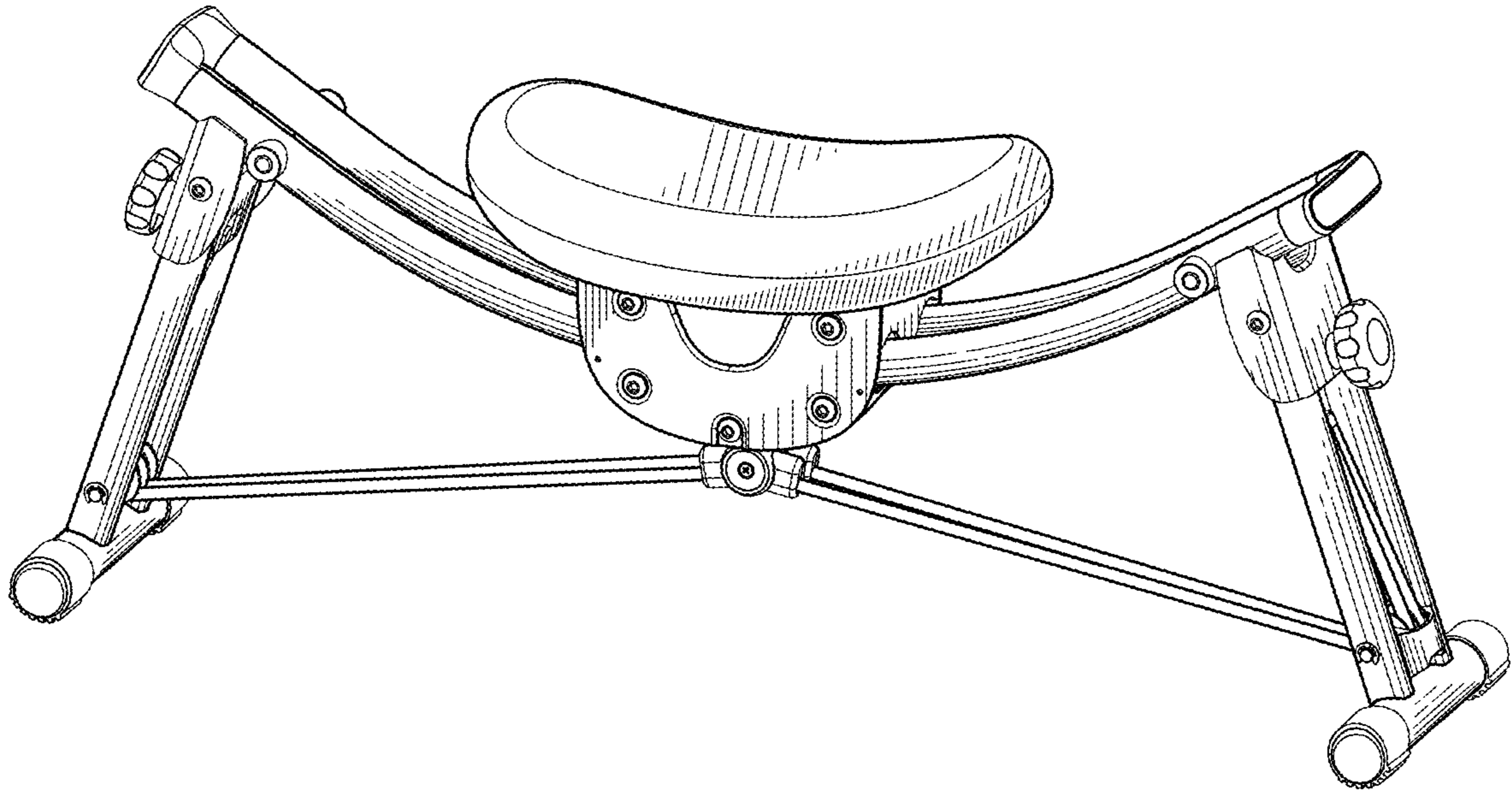


Fig. 9

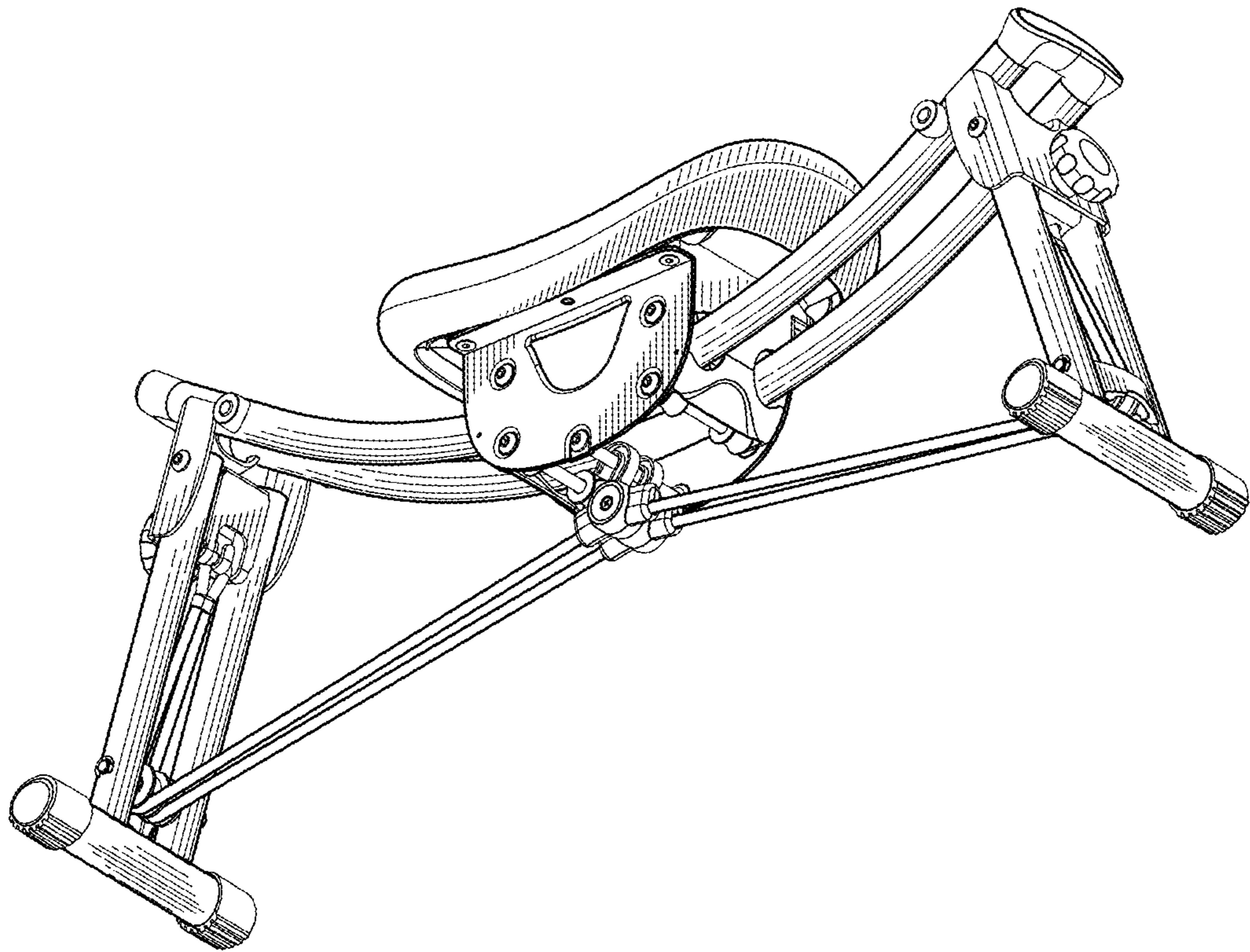


Fig. 10