



US00D955511S

(12) **United States Design Patent** (10) **Patent No.:** **US D955,511 S**  
**Carmichael et al.** (45) **Date of Patent:** **\*\* Jun. 21, 2022**

(54) **IMPLEMENT FOR EXERCISE RACK**

3,716,231 A 2/1973 Martin  
3,806,094 A 4/1974 Harken  
4,286,782 A 9/1981 Fuhrhop  
(Continued)

(71) Applicant: **Coulter Ventures, LLC.**, Columbus, OH (US)

(72) Inventors: **James Carmichael**, Hilliard, OH (US);  
**Ahmik Jones**, Upper Arlington, OH (US); **Bill Henniger**, Columbus, OH (US); **Anthony Roberto**, Columbus, OH (US)

**FOREIGN PATENT DOCUMENTS**

EP 2345459 A1 7/2011  
EP 3295998 A1 3/2018  
(Continued)

(73) Assignee: **Coulter Ventures, LLC.**, Columbus, OH (US)

**OTHER PUBLICATIONS**

Photo from <<https://web.archive.org/web/20170112075250/https://mydynamicfitness.com>>, dated Jan. 12, 2017.

(\*\*) Term: **15 Years**

(Continued)

(21) Appl. No.: **29/753,973**

*Primary Examiner* — Michael A Maharajh

(22) Filed: **Oct. 5, 2020**

(74) *Attorney, Agent, or Firm* — Banner & Witcoff, Ltd.

(57) **CLAIM**

The ornamental design for an implement for exercise rack, as shown and described.

**Related U.S. Application Data**

**DESCRIPTION**

(63) Continuation of application No. 29/661,790, filed on Aug. 30, 2018, now Pat. No. Des. 898,137.

(51) **LOC (13) Cl.** ..... **21-02**

(52) **U.S. Cl.**

USPC ..... **D21/686**; D21/688

(58) **Field of Classification Search**

USPC ..... D21/662, 673, 686, 691, 694, 798, 826;  
D25/62, 66, 68, 119, 126, 136; D6/329;  
D8/323, 354

CPC ..... A63B 21/00047; A63B 26/00; A63B 5/00;  
A63B 2225/093

See application file for complete search history.

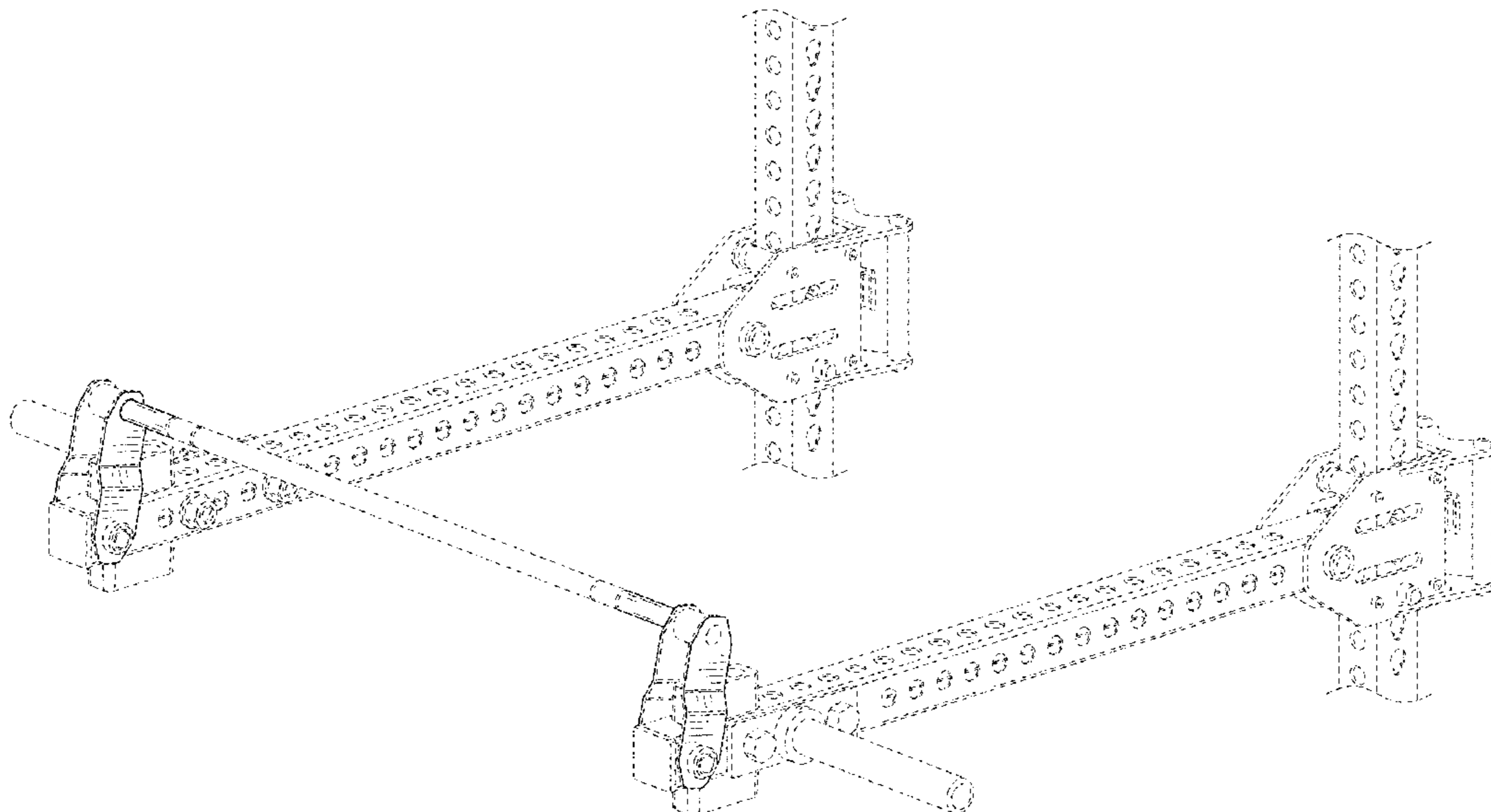
FIG. 1 is a top, front, left perspective view of an implement for exercise rack showing my new design;  
FIG. 2 is a front view thereof;  
FIG. 3 is a rear view thereof;  
FIG. 4 is a left side view thereof;  
FIG. 5 is a right side view thereof;  
FIG. 6 is a top view thereof;  
FIG. 7 is a bottom view thereof; and,  
FIG. 8 is a top, front, right perspective view thereof.  
The broken lines immediately adjacent to the shaded areas define the bounds of the claimed design and form no part thereof. The broken lines depicting the remainder of the implement for exercise rack show portions that form no part of the claimed design. The broken lines depicting the exercise rack are for the purpose of illustrating environmental structure, which form no part of the claimed design.

(56) **References Cited**

**U.S. PATENT DOCUMENTS**

325,435 A 9/1885 North  
2,067,403 A 1/1937 Lea

**1 Claim, 6 Drawing Sheets**



(56)

References Cited

U.S. PATENT DOCUMENTS

D262,815 S 1/1982 Lambert, Jr. et al.  
 4,339,125 A 7/1982 Uyeda et al.  
 4,492,375 A 1/1985 Connelly  
 4,582,320 A 4/1986 Shaw  
 4,635,934 A 1/1987 Roethke  
 4,856,775 A 8/1989 Colledge et al.  
 4,943,052 A 7/1990 Powers  
 4,955,604 A 9/1990 Pogue  
 4,974,838 A 12/1990 Sollenberger  
 5,050,868 A 9/1991 Pearson  
 5,116,297 A 5/1992 Stonecipher  
 5,135,453 A 8/1992 Sollenberger  
 5,184,992 A 2/1993 Banks  
 5,242,344 A 9/1993 Hundley  
 5,273,509 A 12/1993 Vittone  
 D358,623 S 5/1995 Macasieb  
 5,529,558 A 6/1996 Koenig  
 5,569,133 A 10/1996 Vittone  
 5,688,216 A 11/1997 Mauriello  
 5,722,922 A 3/1998 Watterson et al.  
 5,971,897 A 10/1999 Olson et al.  
 D439,292 S \* 3/2001 Webber ..... D21/694  
 6,217,483 B1 4/2001 Kallassy  
 6,238,323 B1 5/2001 Simonson  
 6,261,205 B1 7/2001 Elefson  
 6,394,935 B1 5/2002 Lake  
 6,447,430 B1 9/2002 Webb et al.  
 6,482,139 B1 11/2002 Haag  
 6,508,743 B1 1/2003 Fortin  
 D473,273 S 4/2003 Crawford et al.  
 D489,601 S \* 5/2004 Meeker ..... D8/380  
 D520,922 S 5/2006 Forcillo  
 D550,790 S 9/2007 Staten  
 D550,791 S 9/2007 Rogers et al.  
 D550,792 S 9/2007 Rogers et al.  
 D551,306 S 9/2007 Rogers et al.  
 7,488,277 B1 2/2009 Knapp  
 7,549,950 B1 6/2009 Lundquist et al.  
 7,727,129 B1 6/2010 Goddard  
 D629,343 S 12/2010 Carlini  
 7,922,630 B1 4/2011 Batca  
 7,981,010 B1 7/2011 Webber et al.  
 7,998,040 B2 8/2011 Kram et al.  
 8,057,368 B1 11/2011 Lyszczarz  
 8,096,926 B1 1/2012 Batca  
 8,172,733 B1 5/2012 Batca  
 8,337,370 B2 12/2012 Rogers et al.  
 D687,753 S 8/2013 Carlini  
 8,827,875 B2 \* 9/2014 Schiano ..... A63B 21/078  
 482/92  
 9,011,301 B2 4/2015 Balandis et al.  
 9,028,381 B2 5/2015 Mestemaker  
 9,067,100 B2 6/2015 Habing  
 9,119,989 B1 9/2015 Lagree et al.  
 9,289,638 B2 3/2016 Towley, III et al.  
 9,302,139 B2 4/2016 Habing et al.  
 9,421,413 B2 8/2016 Staten et al.  
 D769,991 S 10/2016 Thomas  
 D772,356 S 11/2016 Gregory  
 D781,452 S \* 3/2017 Bokros ..... D25/68  
 9,597,545 B1 3/2017 Lagree et al.  
 9,656,116 B2 5/2017 Giannelli et al.  
 D806,808 S \* 1/2018 Gregory ..... D21/686  
 D808,475 S 1/2018 Meredith et al.  
 D815,305 S 4/2018 Alvarado et al.  
 D849,160 S 5/2019 Lau  
 D855,720 S 8/2019 Kuka  
 D898,136 S \* 10/2020 Carmichael ..... D21/686  
 D898,137 S \* 10/2020 Carmichael ..... D21/686  
 D915,533 S \* 4/2021 Adams ..... D21/694  
 D931,389 S \* 9/2021 Dunahay ..... D21/694  
 11,110,316 B2 \* 9/2021 Sergakis ..... A63B 71/0036  
 11,173,337 B2 \* 11/2021 Jones ..... A63B 21/0628  
 2002/0098954 A1 7/2002 Buechel et al.  
 2003/0100413 A1 5/2003 Huang

2003/0115955 A1 6/2003 Keiser  
 2003/0134723 A1 7/2003 Greenland  
 2005/0054493 A1 3/2005 Skilken et al.  
 2005/0202941 A1 9/2005 Vaes  
 2005/0250619 A1 11/2005 Daikeler et al.  
 2006/0035765 A1 \* 2/2006 Smith ..... A63B 21/078  
 482/97  
 2006/0040799 A1 2/2006 Pompile  
 2006/0183607 A1 8/2006 Collias  
 2006/0247107 A1 11/2006 Carter  
 2006/0252615 A1 11/2006 Melcer  
 2007/0054785 A1 3/2007 Drechsler  
 2007/0093365 A1 4/2007 Batca  
 2007/0155595 A1 7/2007 Rogers et al.  
 2007/0155596 A1 7/2007 Rogers et al.  
 2007/0161468 A1 7/2007 Yanagisawa et al.  
 2008/0113852 A1 5/2008 Caldwell  
 2009/0143203 A1 6/2009 Knapp  
 2009/0170675 A1 7/2009 Giannelli et al.  
 2010/0016129 A1 1/2010 Chou  
 2010/0137112 A1 6/2010 Harker  
 2010/0216610 A1 8/2010 Gedeon-Janvier  
 2010/0292057 A1 11/2010 Dunn  
 2012/0289384 A1 11/2012 Staten et al.  
 2012/0329613 A1 \* 12/2012 Schiano ..... A63B 21/078  
 29/428  
 2013/0035220 A1 2/2013 Adams  
 2013/0203566 A1 8/2013 Fineststein et al.  
 2013/0274075 A1 10/2013 Habing et al.  
 2013/0296143 A1 11/2013 Staten et al.  
 2013/0296146 A1 11/2013 Staten et al.  
 2014/0087928 A1 3/2014 Luedeka  
 2014/0256517 A1 9/2014 Poppinga  
 2015/0016919 A1 1/2015 Tambornino et al.  
 2015/0051054 A1 2/2015 Barnhill  
 2015/0083681 A1 3/2015 Childs  
 2015/0126335 A1 \* 5/2015 Gilson ..... A63B 1/00  
 482/38  
 2015/0141221 A1 \* 5/2015 Delgado ..... A63B 23/0211  
 482/140  
 2015/0182773 A1 7/2015 Olson et al.  
 2015/0290488 A1 10/2015 Hopperstad et al.  
 2015/0352395 A1 12/2015 Gregory  
 2016/0023035 A1 \* 1/2016 Meyer ..... A63B 71/023  
 482/38  
 2016/0199691 A1 7/2016 Hockridge  
 2016/0213967 A1 7/2016 Habing et al.  
 2016/0256733 A1 9/2016 Lagree  
 2017/0007877 A1 1/2017 Leipheimer  
 2017/0056705 A1 3/2017 Zha et al.  
 2017/0189736 A1 7/2017 Martin  
 2017/0246496 A1 8/2017 Nelson et al.  
 2017/0246504 A1 8/2017 Simmons  
 2017/0340916 A1 11/2017 Gennusa  
 2018/0036573 A1 2/2018 Lennox et al.  
 2018/0243597 A1 8/2018 Schlegel  
 2019/0240521 A1 8/2019 Staten  
 2019/0275363 A1 9/2019 Jones et al.  
 2019/0282851 A1 9/2019 Hockridge et al.  
 2019/0308061 A1 10/2019 Murrell et al.

FOREIGN PATENT DOCUMENTS

FR 2630652 A1 11/1989  
 GB 2346808 A 8/2000  
 KR 200466889 Y1 5/2013  
 KR 20140060130 A 5/2014  
 WO 9842411 A1 10/1998  
 WO 201893699 A1 5/2018  
 WO 2018208772 A1 11/2018

OTHER PUBLICATIONS

Screenshots from <<https://www.youtube.com/watch?v=A4xv8OhVbzl>>, dated May 17, 2018.  
 Product promotional materials for Dynamic Fitness Ultra Pro Rack Series from <<https://web.archive.org/web/20170112075250/https://mydynamicfitness.com>> dated Jan. 12, 2017.

(56)

**References Cited**

OTHER PUBLICATIONS

Product listing for Rogue Monster Lever Arms from <<https://web.archive.org/web/20160529110340/http://www.roguefitness.com/monster-lever-arms>>, dated May 29, 2016.

Product listing for Rogue Monster Lever Arms from <<https://web.archive.org/web/20161111082206/http://www.roguefitness.com/monster-lever-arms>>, dated Nov. 11, 2016.

Jul. 23, 2019—(WO) International Search Report & Written Opinion—App PCT/US2019/021017.

Sorinex Exercise Equipment: “Base camp jammer arms adjustable attachment point”, Feb. 27, 2018 (Feb. 27, 2018), pp. 1-3, Retrieved from the Internet: URL:<https://www.facebook.com/sorinex.strength/videos/base-camp-jammer-arms-adjustable-attachment-point/10158262519208647/>.

Mar. 31, 2020—(WO) ISR and WO—App PCT/US2019/056130.

\* cited by examiner

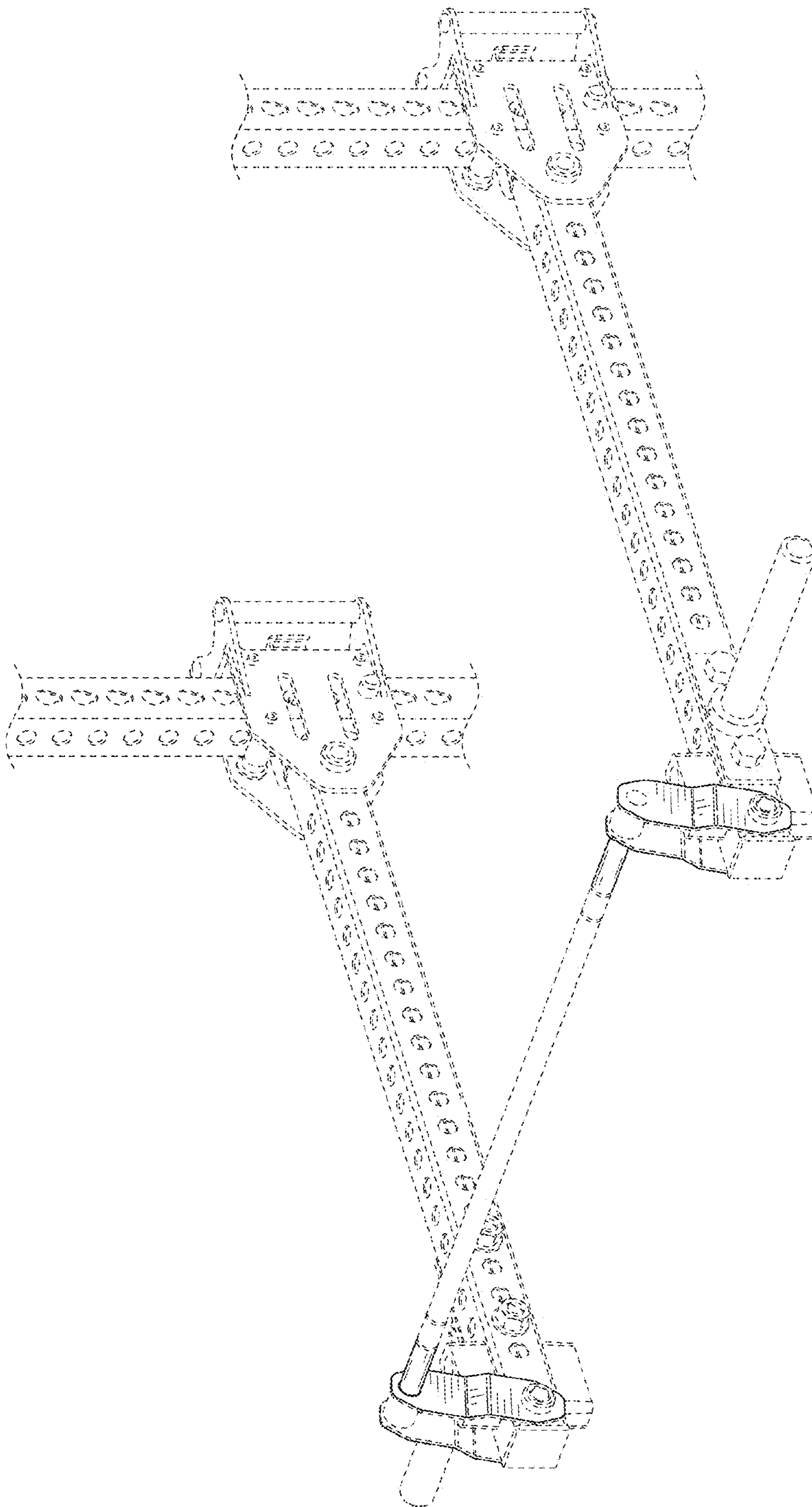


FIG. 1

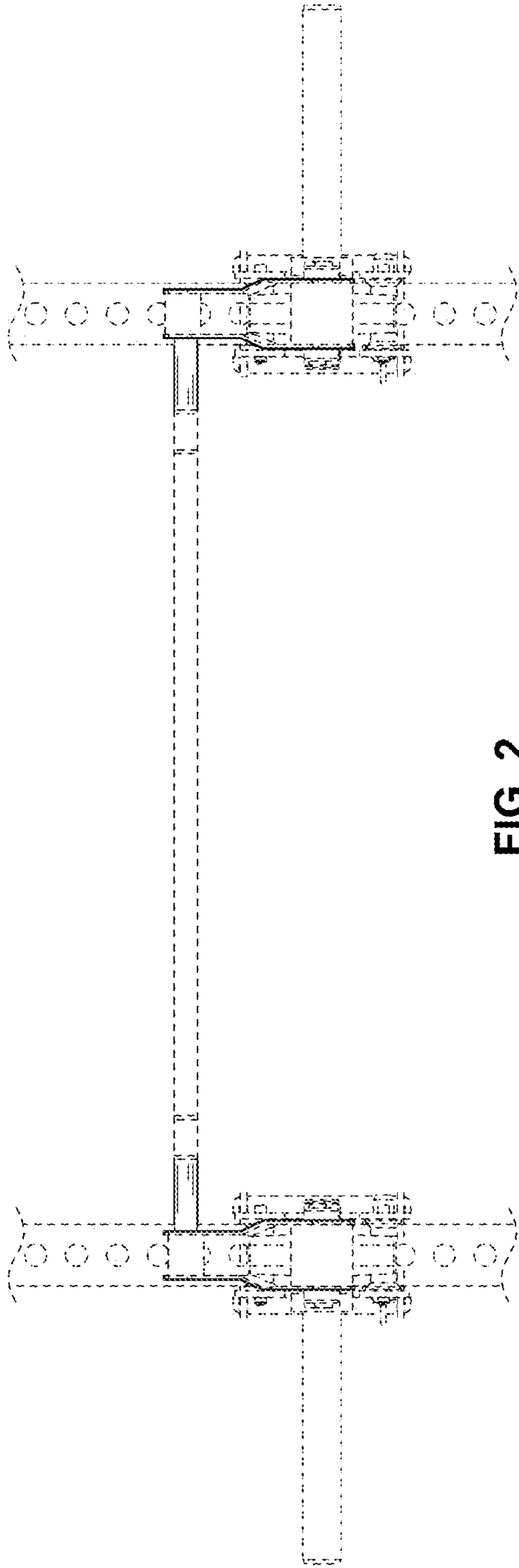


FIG. 2

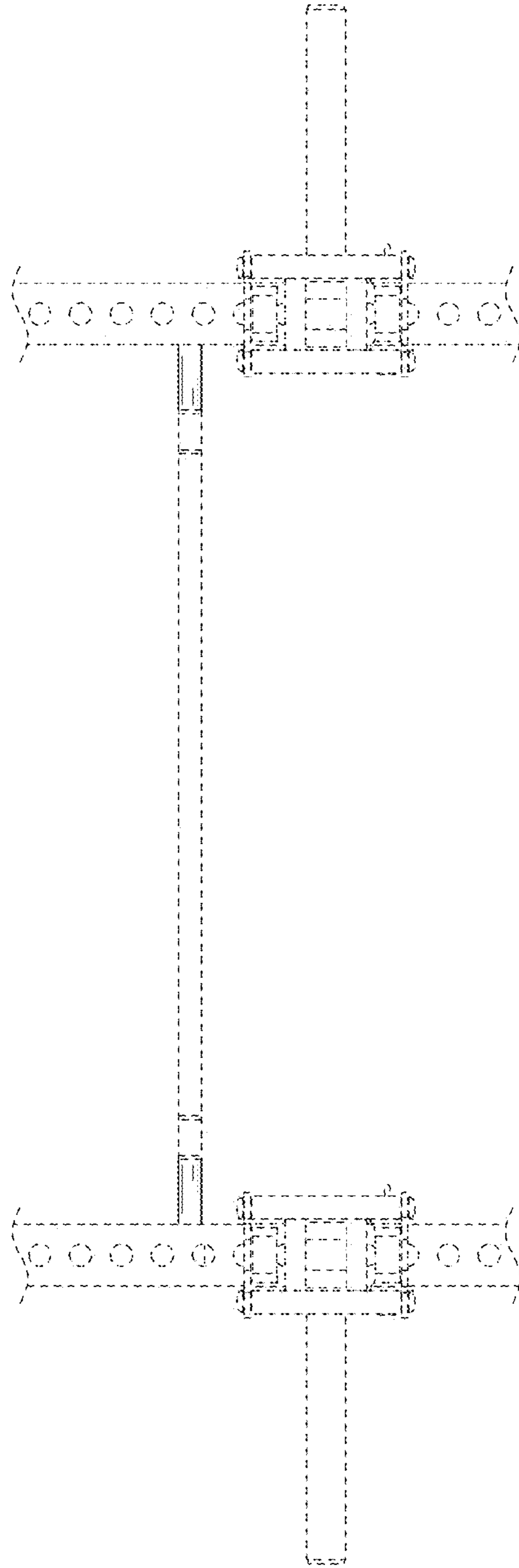


FIG. 3

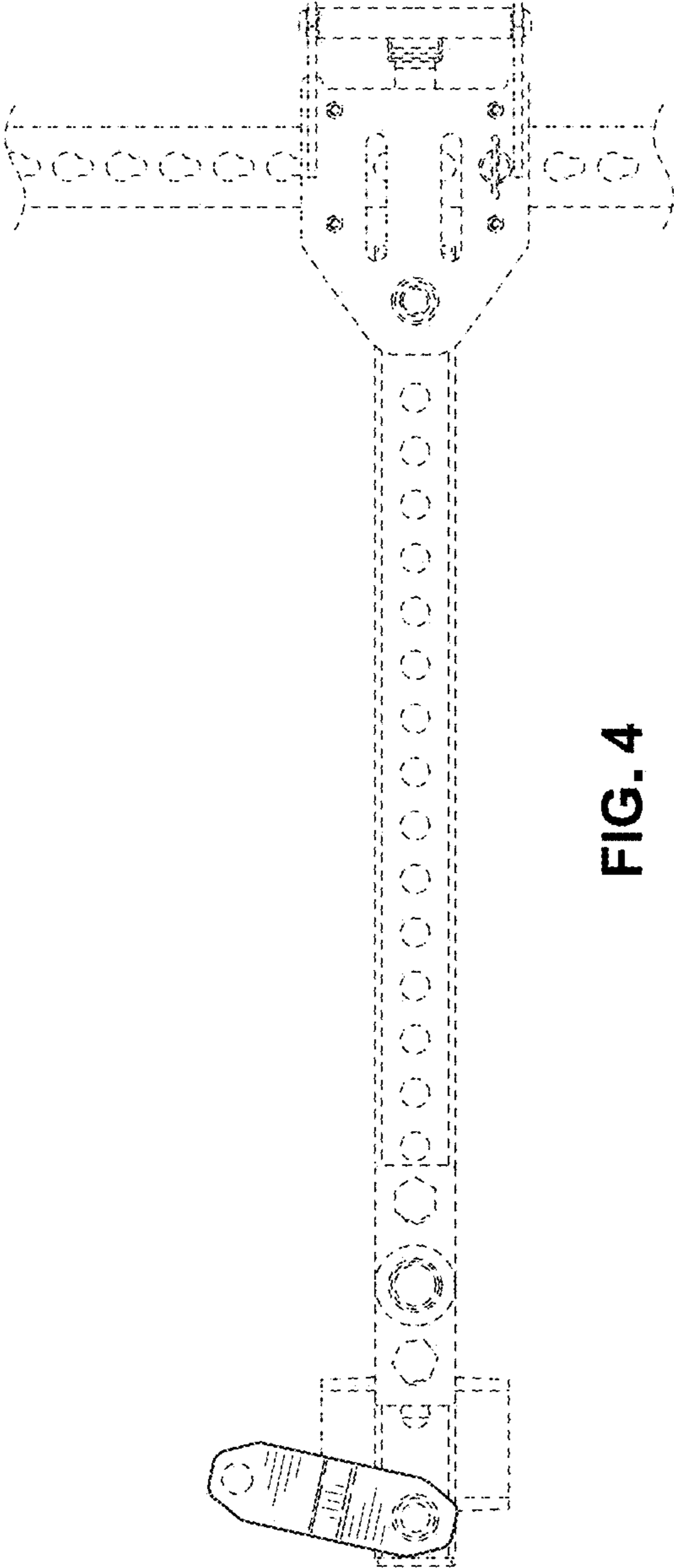


FIG. 4

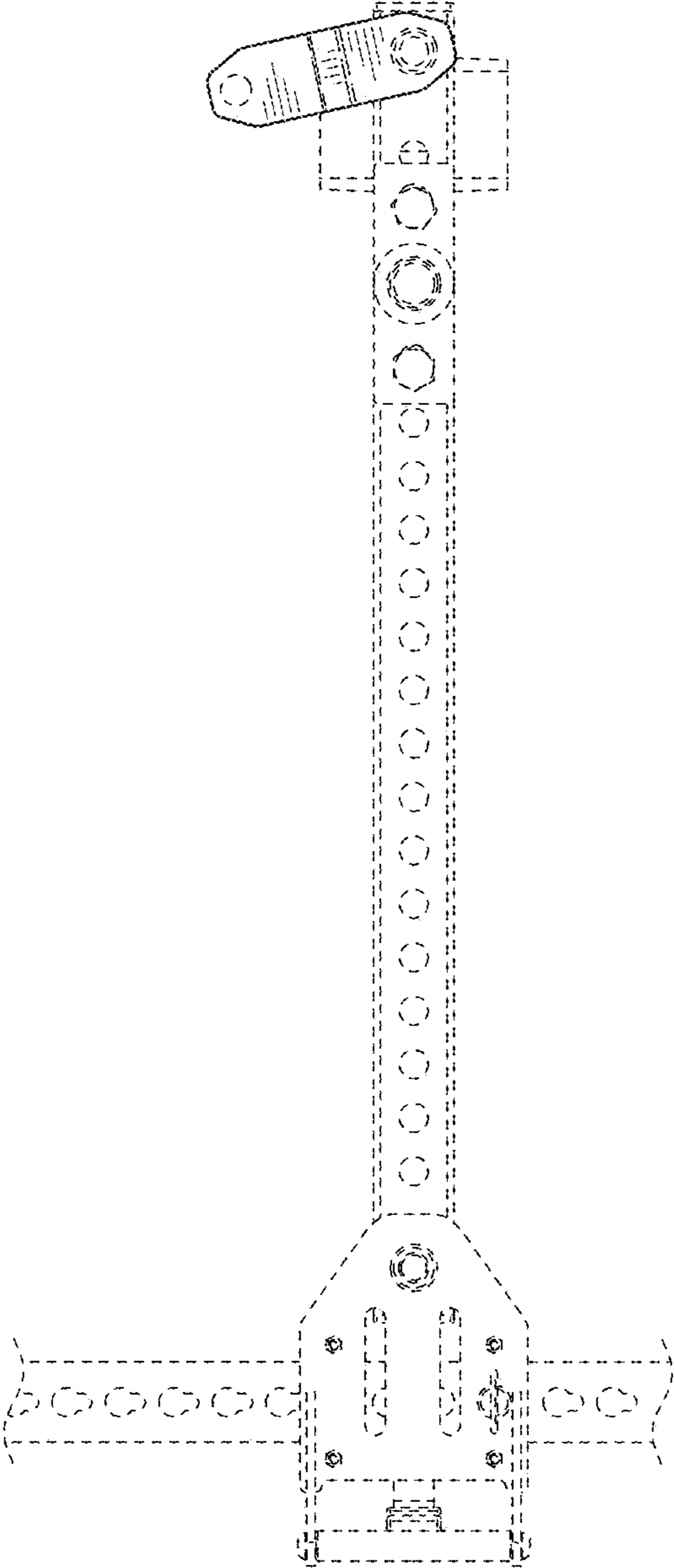


FIG. 5

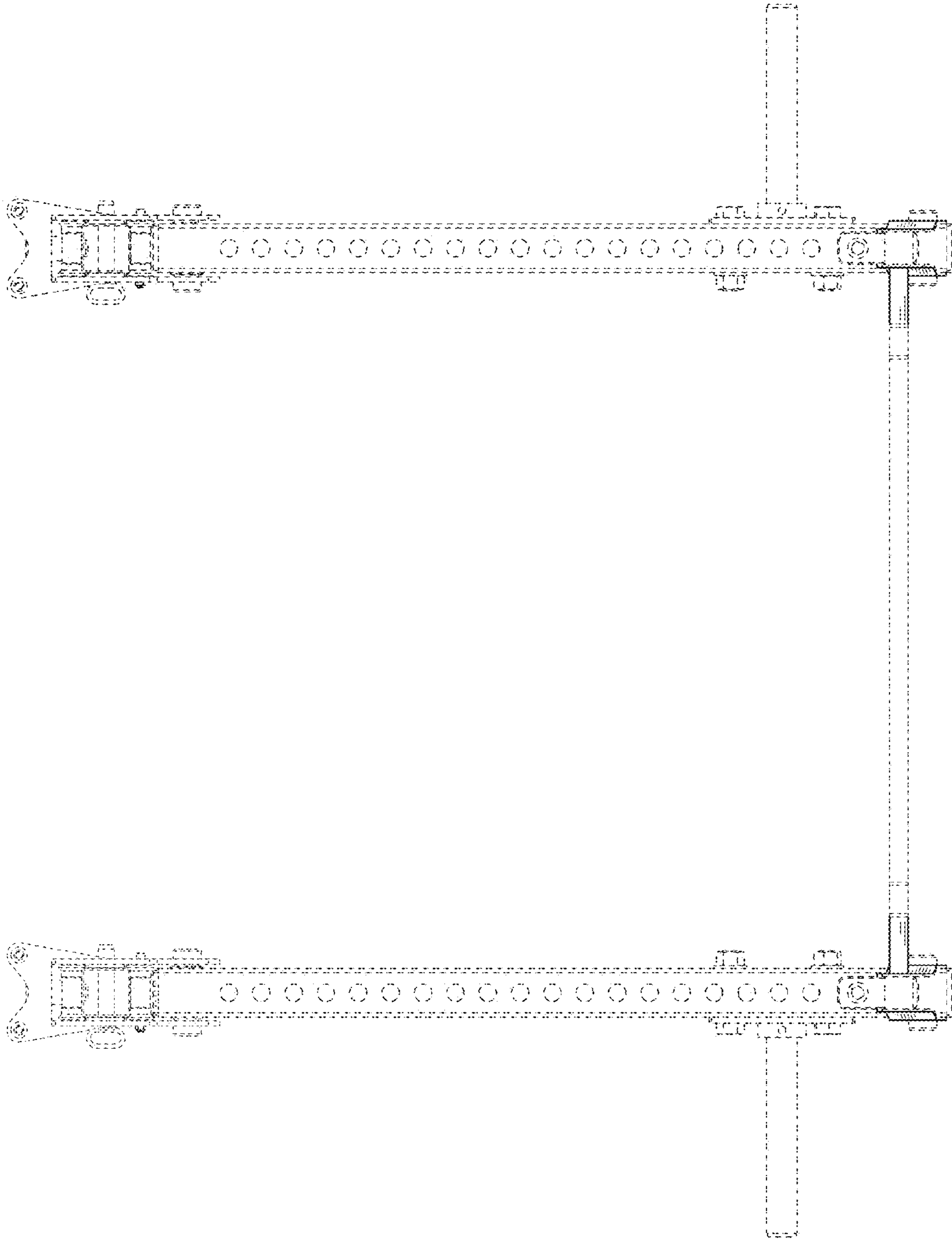


FIG. 6

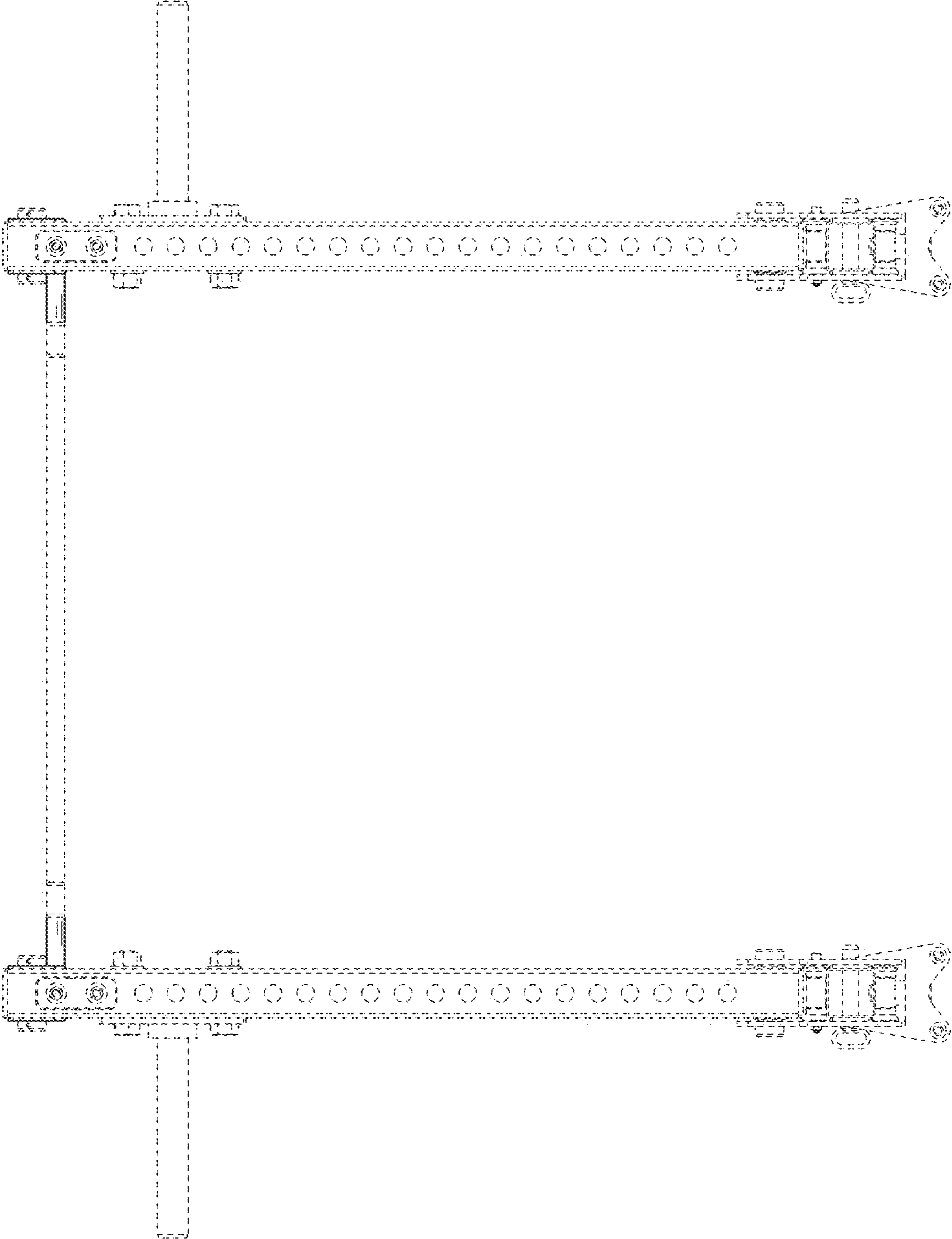


FIG. 7



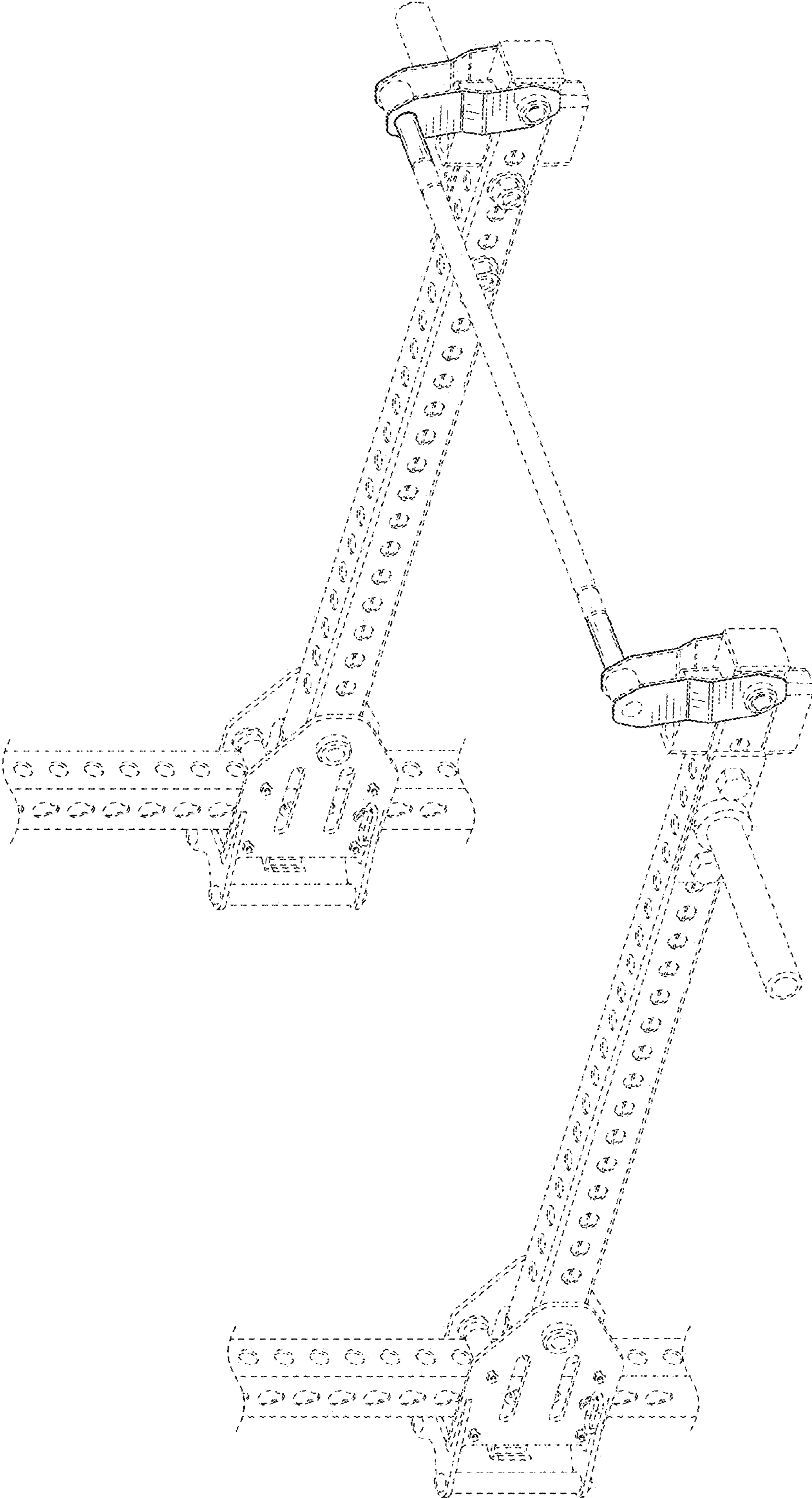


FIG. 8