

US00D955510S

(12) **United States Design Patent** (10) **Patent No.:** **US D955,510 S**
Pritchett et al. (45) **Date of Patent:** **** Jun. 21, 2022**

(54) **WEIGHT RACK ATTACHMENT**
(71) Applicant: **Coulter Ventures, LLC.**, Columbus, OH (US)
(72) Inventors: **Martin Pritchett**, Hilliard, OH (US); **Ahmik Jones**, Upper Arlington, OH (US); **William Henniger**, Columbus, OH (US)
(73) Assignee: **Coulter Ventures, LLC.**, Columbus, OH (US)

4,961,295 A 10/1990 Kosch, Sr. et al.
5,791,502 A * 8/1998 Bietz A47B 57/50
211/192
5,988,409 A * 11/1999 Gusdorf A47B 96/16
211/90.01

(Continued)

FOREIGN PATENT DOCUMENTS

EP 2400205 A1 12/2011
WO 2008054720 A2 5/2008

OTHER PUBLICATIONS

Metal Keyhole Tracks Pair, available in Amazon.com, date first available Mar. 10, 2018 [online], Retrieved on Feb. 4, 2022 from URL: <https://www.amazon.com/Metal-Keyhole-Tracks-Pinless-Jump/dp/B07BCFVL91/> (Year: 2018).*

(Continued)

(**) Term: **15 Years**
(21) Appl. No.: **29/746,793**
(22) Filed: **Aug. 17, 2020**
(51) **LOC (13) Cl.** **21-02**
(52) **U.S. Cl.**
USPC **D21/686**
(58) **Field of Classification Search**
USPC D6/552; D21/662, 686, 690, 694, 696;
D8/371-373
CPC E04B 1/00; A47K 10/10
See application file for complete search history.

Primary Examiner — Vy N Koenig
Assistant Examiner — Michelle M Reeves
(74) *Attorney, Agent, or Firm* — Banner & Witcoff, Ltd.

(57) **CLAIM**

The ornamental design for a weight rack attachment, as shown and described.

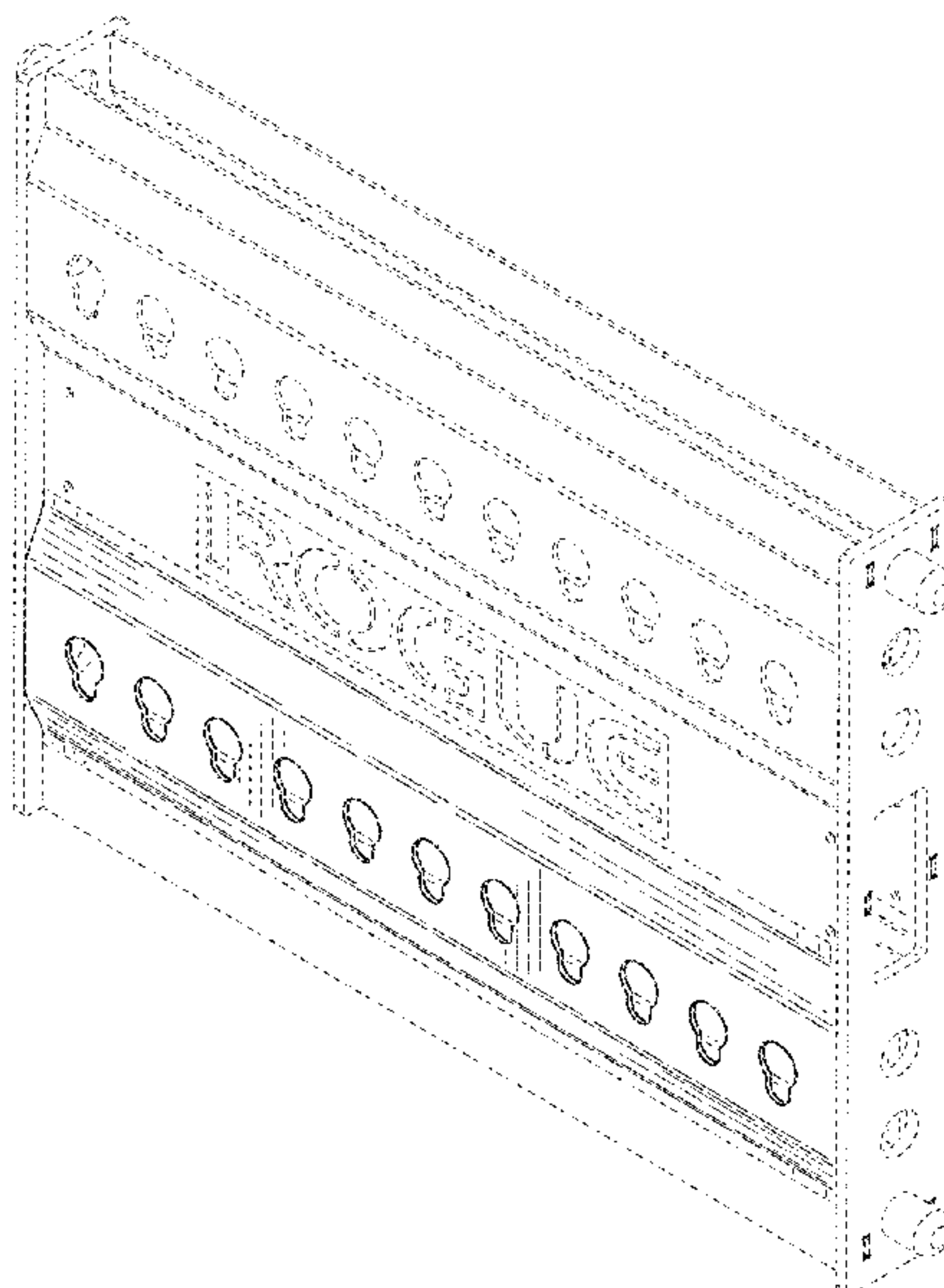
DESCRIPTION

FIG. 1 is a top, front, left perspective view of a weight rack attachment, showing our new design;
FIG. 2 is a front view thereof;
FIG. 3 is a rear view thereof;
FIG. 4 is left side view thereof;
FIG. 5 is a right side view thereof;
FIG. 6 is a top view thereof; and,
FIG. 7 is a bottom view thereof.
The broken lines immediately adjacent to the shaded areas define the bounds of the claimed design and form no part thereof. The broken lines depicting the remainder of the article show features that form no part of the claimed design.

1 Claim, 5 Drawing Sheets

(56) **References Cited**
U.S. PATENT DOCUMENTS

D47,725 S 8/1915 Heulings
D47,726 S 8/1915 Heulings
1,377,543 A * 5/1921 Alm E06C 7/44
182/204
3,529,860 A * 9/1970 Jelley F16B 21/09
160/402
3,612,290 A * 10/1971 Evans A47B 57/50
211/187
D264,756 S 6/1982 Andersson
D273,997 S 5/1984 Ryan
D276,656 S 12/1984 Lindstrom



(56)

References Cited

U.S. PATENT DOCUMENTS

6,123,207 A * 9/2000 Mast B62B 3/025
211/149
D438,448 S * 3/2001 Batting D8/354
6,220,988 B1 4/2001 Williams
D517,085 S 3/2006 Deuschle
7,083,051 B2 * 8/2006 Smith H04Q 1/064
248/220.42
7,316,379 B1 1/2008 Graham
7,523,907 B2 4/2009 Chen
D596,761 S 7/2009 Beland
D639,585 S 6/2011 Shen et al.
D639,586 S 6/2011 Selinger et al.
D639,587 S 6/2011 Selinger et al.
8,047,972 B1 11/2011 Dean et al.
D660,984 S 5/2012 Kotin et al.
D667,963 S * 9/2012 Griffiths D25/141
8,424,694 B2 * 4/2013 Eustace A47B 96/1441
211/192
D689,199 S * 9/2013 Elizarraras D25/55
D702,534 S * 4/2014 Nowak D8/355
D711,021 S 8/2014 Singh
D718,883 S 12/2014 Thrush et al.
D718,884 S 12/2014 Thrush et al.
D742,540 S 11/2015 Singh
D764,075 S * 8/2016 Honda D25/119
9,408,465 B2 * 8/2016 Dowling F16M 11/10
9,492,701 B1 * 11/2016 Bognatz A63B 21/072
9,599,439 B1 * 3/2017 Sylvester F41G 11/003
D790,753 S * 6/2017 Rashidi Doust D26/113
D801,547 S 10/2017 Lopez
D802,164 S 11/2017 Lopez
D817,520 S 5/2018 Gonzales
D836,617 S 12/2018 Shu
10,226,661 B2 3/2019 Henniger et al.
D849,462 S * 5/2019 Marsden D25/123
D853,587 S 7/2019 Jackson et al.
D853,588 S 7/2019 Jackson et al.
D853,589 S 7/2019 Jackson et al.
D854,635 S 7/2019 Dunahay
D856,282 S * 8/2019 Pillsbury D13/133
D857,241 S 8/2019 Sakamoto et al.
D869,688 S 12/2019 Lanzafame
D879,216 S 3/2020 Dunahay
D879,217 S 3/2020 Dunahay
D883,405 S 5/2020 Dunahay
D886,920 S 6/2020 Dunahay
D888,851 S 6/2020 Dunahay
D890,272 S * 7/2020 Thompson D21/686
D908,821 S * 1/2021 Dunahay D21/694
D929,512 S * 8/2021 Dunahay D21/679
D931,954 S * 9/2021 Dunahay D21/686
D931,955 S * 9/2021 Dunahay D21/686
D942,561 S * 2/2022 Dunahay D21/686
2005/0269156 A1 * 12/2005 Lanzafame E06C 1/34
182/129
2006/0065800 A1 3/2006 Bremmon
2006/0145038 A1 7/2006 Chen
2010/0044536 A1 2/2010 Huang
2010/0171017 A1 7/2010 Chang
2011/0248128 A1 10/2011 Oh
2014/0166834 A1 6/2014 Kuroyanagi et al.
2016/0338512 A1 11/2016 Royak
2018/0153305 A1 6/2018 Haines
2018/0326250 A1 11/2018 Henniger et al.
2019/0126088 A1 5/2019 Henniger et al.

OTHER PUBLICATIONS

Monster Lite Rack Storage Panel, available in roguefitness.com, customer review oldest date May 2021 Year 2021 [online], Retrieved on Jan. 31, 2022 from URL: <https://www.roguefitness.com/rogue-monster-lite-rack-storage-panel> (Year: 2021).*

Screenshot of Level Mount tv mount from <https://www.youtube.com/watch?v=YUVvZr3qTrc>, dated Mar. 26, 2012, accessed Jun. 2, 2020.

Screenshot of Abt Electronics wall mount from <https://www.youtube.com/watch?v=XJEmJhEleH0>, dated Jun. 6, 2013, accessed Jun. 2, 2020.

Screenshot of Show Me Cables ultra slim tv wall mount from <https://www.youtube.com/watch?v=UfcsWN7brCg>, dated Jun. 27, 2016, accessed Jun. 2, 2020.

Screenshot of Texonic Model LX67 wall mount from <https://www.youtube.com/watch?v=ojTXO9edjEc>, dated Jul. 5, 2017, accessed Jun. 2, 2020.

Screenshot of Sony SUWL450 wall mount from https://www.amazon.co.uk/Sony-SUWL450-Wall-Mount/dp/B00IZEIZB4/ref=sr_1_20?keywords=Sony+Wall+Mount+Bracket&qid=1580915273&sr%2E%80%A6, dated Mar. 14, 2014.

Screenshot of Sony Duronic TV Bracket TV123M wall mount from https://www.amazon.co.uk/dp/B001PHBZFQ/ref=psdc_1338216031_t4_B07MX3Q3NZ, dated Jan. 12, 2009.

Screenshot of wall mounting bracket Dv5 from Hornung's Industrial Gas Catalogue, <http://my.page2flip.de/1672972/2178732/2178865/pdf/CatalogueforindustrialgascontrolequipmentHornungGmbH.pdf>, dated Jan. 2013.

Screenshot of wall mounting bracket D2 from Hornung's Industrial Gas Catalogue, <http://my.page2flip.de/1672972/2178732/2178865/pdf/CatalogueforindustrialgascontrolequipmentHornungGmbH.pdf>, dated Jan. 2013, accessed Feb. 6, 2020.

Screenshot of wall mounting bracket painted from Hornung's Industrial Gas Catalogue, <http://my.page2flip.de/1672972/2178732/2178865/pdf/CatalogueforindustrialgascontrolequipmentHornungGmbH.pdf>, dated Jan. 2013, accessed Feb. 6, 2020.

Screenshot of wall mounting bracket in stainless steel electropolishing from Hornung's Industrial Gas Catalogue, <http://my.page2flip.de/1672972/2178732/2178865/pdf/CatalogueforindustrialgascontrolequipmentHornungGmbH.pdf>, dated Jan. 2013, accessed Feb. 6, 2020.

Screenshot of wall mounting bracket in stainless steel, electropolishing, HP 550-552 from Hornung's Industrial Gas Catalogue, <http://my.page2flip.de/1672972/2178732/2178865/pdf/CatalogueforindustrialgascontrolequipmentHornungGmbH.pdf>, dated Jan. 2013, accessed Feb. 6, 2020.

Screenshot of Altecnic Expansion Vessel Bracket from https://www.amazon.co.uk/dp/B00QVM4LCE/ref=sspa_dk_detail_0?psc=1&pd_rd_i=B00QVM4LCE&pd_rd_w=6dXas&pf_rd_p=1055d8b2-c10c-4%E2%80%A6, dated Dec. 11, 2014, accessed Feb. 5, 2020.

Screenshot of Reflex Winkelmann Wall Holder from <https://www.amazon.co.uk/Reflex-Winkelmann-7611000-Holder-25-Litre/dp/B0017UWL6I>, dated Dec. 13, 2012, accessed Feb. 5, 2020.

Design View Registered Community Design No. 002104463-0001, dated Sep. 17, 2012.

Design View Registered Community Design No. 00765862-0001, dated Jul. 27, 2007.

Design View Registered Community Design No. 000153796-0002, dated Feb. 25, 2004.

Screenshot of Mammoth Lite Folding Rack from Bulldog Gear Instagram account, dated Jan. 11, 2018.

Screenshot of Folding Rack from Bulldog Gear Instagram account, dated Oct. 2, 2018.

Screenshot of wall bracket from Weinmann-Schanz, <http://web.archive.org/web/20170909025230/http://www.weinmann-schanz.de/de/de/Heizung/Neu-im-Sortiment/W%C3%A4rmeerzeuger-Speicher/pid.1143.1160/agid.90421.90432.105367/ecm.ag/Abstandsmontageplatten-f%C3%BCr-Wandkonsolen.html>, dated Sep. 9, 2017.

Screenshot of wall bracket from Weinmann-Schanz, <https://www.weinmann-schanz.de/de/de/Heizung/W%C3%A4rmeerzeuger-Speicher/Abgassysteme/Edelstahl-Abgassystem-Uni-DW-doppelwandig/Abstandsmontageplatten-f%C3%BCr-Wandkonsolen-sid134351.htm>, accessed Feb. 6, 2020.

Screenshot of wall bracket from Weinmann-Schanz, <http://web.archive.org/web/20170529161506/http://www.weinmann-schanz.de:80/de/de/Heizung/Neu-im-Sortiment/W%C3%A4rmeerzeuger>

(56)

References Cited

OTHER PUBLICATIONS

Speicher/pid.1143.1160/agid.90421.90432.105379/ecm.ag/Abstandsmontageplatten-f%C3%BCr-Wandhalter.html, dated May 29, 2017.

Screenshot of wall bracket from Weinmann-Schanz, <https://www.weinmann-schanz.de/de/de/Heizung/W%C3%A4rmeerzeuger-Speicher/Abgassysteme/Edelstahl-Abgassystem-Uni-DW-doppelwandig/Abstandsmontageplatten-f%C3%BCr-Wandhalter-sid182096.html>, accessed Feb. 11, 2020.

Coulter Ventures LLC v Bulldog Gear Limited, UK High Court (Eng. & Wales), Claim No. HP-2019-000054, Defence and Counterclaim, dated Feb. 13, 2020.

Coulter Ventures LLC v Bulldog Gear Limited, High Court (Eng. & Wales), Claim No. HP-2019-000054, Defendant's Initial Disclosure List of Documents, dated Feb. 12, 2020.

Coulter Ventures LLC v Bulldog Gear Limited, High Court (Eng. & Wales), Claim No. HP-2019-000054, Amended Defence and Counterclaim, dated Apr. 23, 2020.

Coulter Ventures LLC v Bulldog Gear Limited, High Court (Eng. & Wales), Claim No. HP-2019-000054, Amended Defendant's Initial Disclosure List of Documents, dated Apr. 23, 2020.

Coulter Ventures LLC v Bulldog Gear Limited, High Court (Eng. & Wales), Claim No. HP-2019-000054, Re-Amended Defence and Counterclaim, dated Feb. 4, 2021.

Coulter Ventures LLC v Bulldog Gear Limited, High Court (Eng. & Wales), Claim No. HP-2019-000054, Claim Form and Particulars of Claim, dated Dec. 18, 2019.

Coulter Ventures LLC v Bulldog Gear Limited, High Court (Eng. & Wales), Claim No. HP-2019-000054, Claimant's Initial Disclosure List of Documents, dated Dec. 18, 2019.

Coulter Ventures LLC v Bulldog Gear Limited, High Court (Eng. & Wales), Claim No. HP-2019-000054, Reply and Defence to Counterclaim, dated Apr. 2, 2020.

Coulter Ventures LLC v Bulldog Gear Limited, High Court (Eng. & Wales), Claim No. HP-2019-000054, Amended Claim Form and Amended Particulars of Claim, dated Dec. 23, 2020.

Coulter Ventures LLC v Bulldog Gear Limited, High Court (Eng. & Wales), Claim No. HP-2019-000054, Amended Reply and Defence to Counterclaim, dated Feb. 18, 2021.

Rogue fitness product video screenshots from <https://www.youtube.com/watch?v=TRpmZ68p5Hw>, dated Sep. 19, 2017.

Bulldog Gear product advertisement dated Jan. 11, 2018.

Pure Strength product listing dated Sep. 6, 2018 from <https://www.pure-strength.com/collections/slim-gym-utility-plate>.

Titan Fitness product listing dated Sep. 6, 2018 from <https://www.titan.fitness/t-3-folding-power-rack-stringers.html>.

Titan Fitness product listing dated Sep. 6, 2018 from <https://www.titan.fitness/41-inch-deep-folding-wall-mount-rack.html> (product known to be available as of Mar. 2, 2016).

Product listing for Rogue V2 Face Mount Pull-up Bar for Monster Lite from <https://web.archive.org/web/20161105161238/https://www.roguefitness.com/rogue-v2-face-mount-pull-up-bar-for-monster-lite>, dated Nov. 5, 2016.

Rogue P-3 Pull-Up System; <https://web.archive.org/web/20160901091143/http://www.roguefitness.com/p3-pullup-system>; 5 pages downloaded Dec. 7, 2020.

Rogue P-5V Garage Pull-Up System; <https://web.archive.org/web/20160812065929/http://www.roguefitness.com:80/rogue-p-5v-garage-pullup-system>; 13 pages downloaded Dec. 7, 2020.

Product listing for Rogue RML-3W Fold Back Wall Mount Rack, from <https://web.archive.org/web/20180724134619/https://www.roguefitness.com/rogue-rml-3w-fold-back-wall-mount-rack>, dated Jul. 24, 2018.

Product listing for Folding MyRack Base, from https://www.forceusa.com/collections/all/products/myrack-folding-power-rack?utm_source=google&utm_medium=cpc&utm_campaign=generic&gclid=EAlalQobChMlv9bwy6n5wlVysDACH3bBwodEAAYBCAAEglb7vD_BwE, dated Feb. 6, 2020.

Product listing for Rogue R-3W Fold Back Wall Mount Rack, from <https://web.archive.org/web/20181022030706/https://www.roguefitness.com/rogue-r-3w-fold-back-wall-mount-rack>, dated Oct. 22, 2018.

Product listing for Rogue RML-3WC Fold Back Wall Mount Rack, from <https://web.archive.org/web/20171102102928/http://www.roguefitness.com/rogue-rml-3wc-fold-back-wall-mount-rack-custom-color-edition>, dated Nov. 2, 2017.

Product listing for Rogue RML-3 Rogue Monster Lite R-3, from <https://web.archive.org/web/20170623162215/http://www.roguefitness.com/rml-3-rogue-monster-lite-r-3>, dated Jun. 23, 2017.

<https://gearmashers.com/rogue-fitness-jammer-pull-up-bar-review/> (Year: 2020).

Pull up bar by Rogue dated Jun. 4, 2018. Found online [Feb. 4, 2019] <https://www.roguefitness.com/rogue-jammer-pull-up-bar?bvstate=pg:4/ct:r>.

* cited by examiner

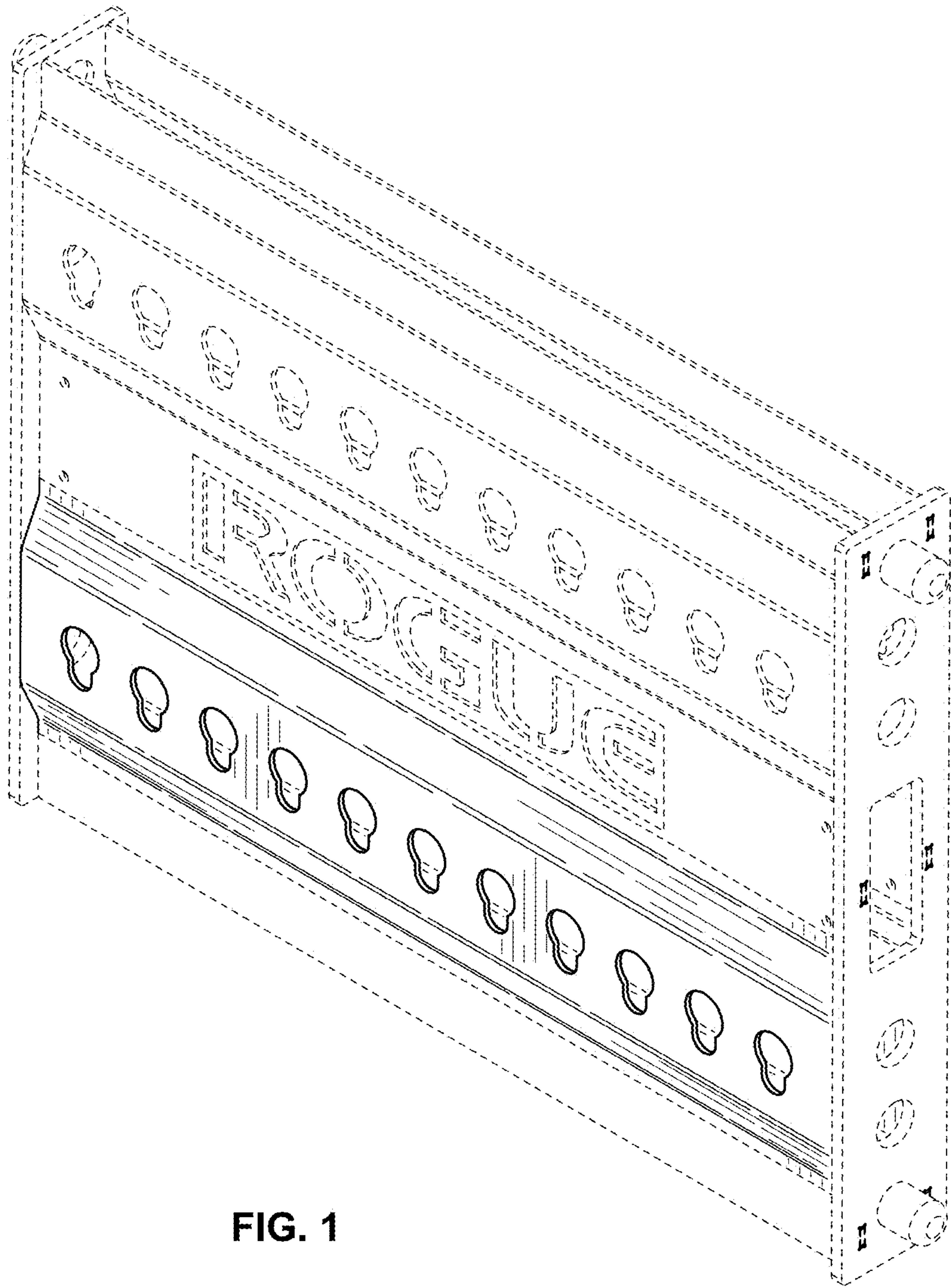


FIG. 1

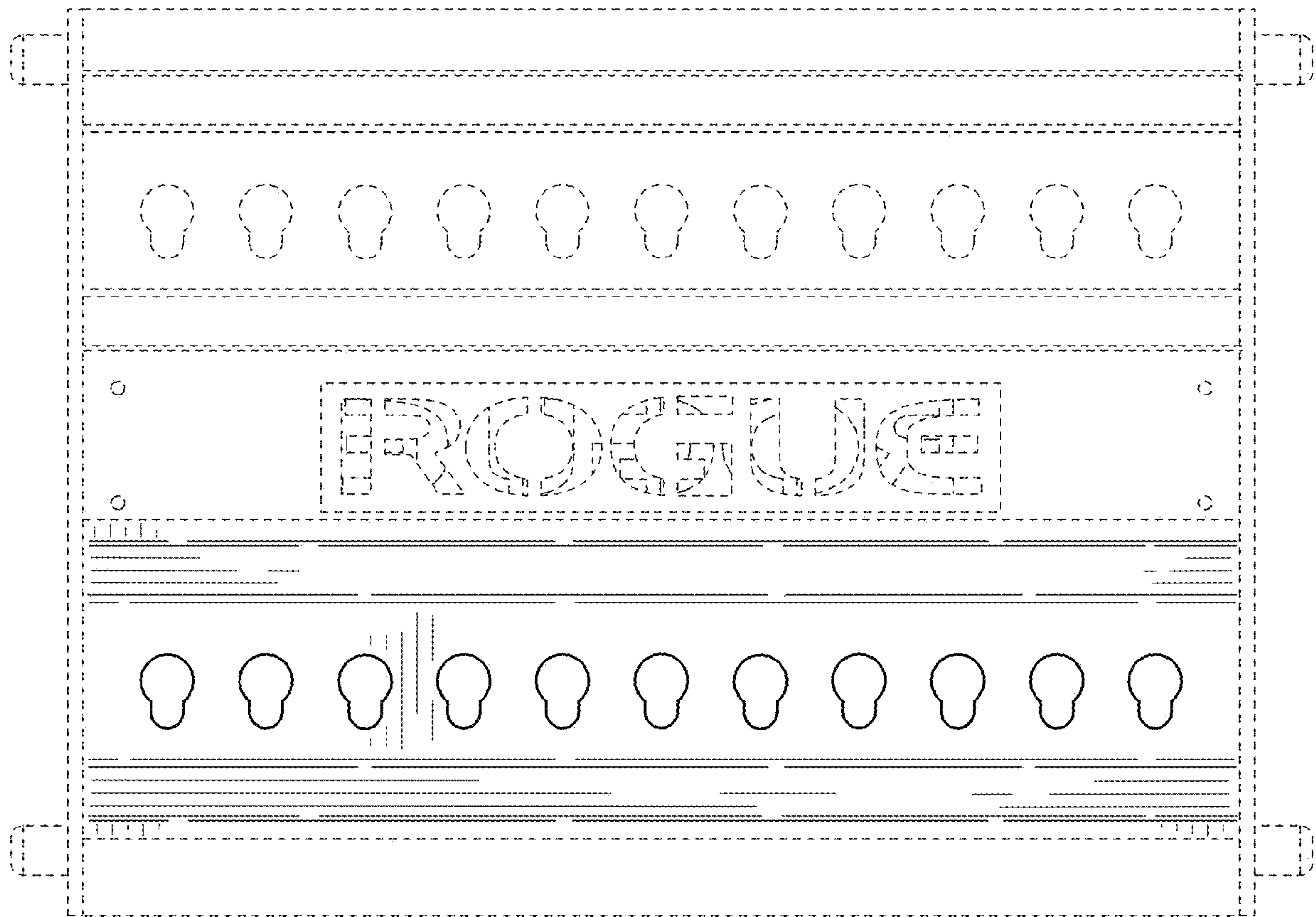


FIG. 2

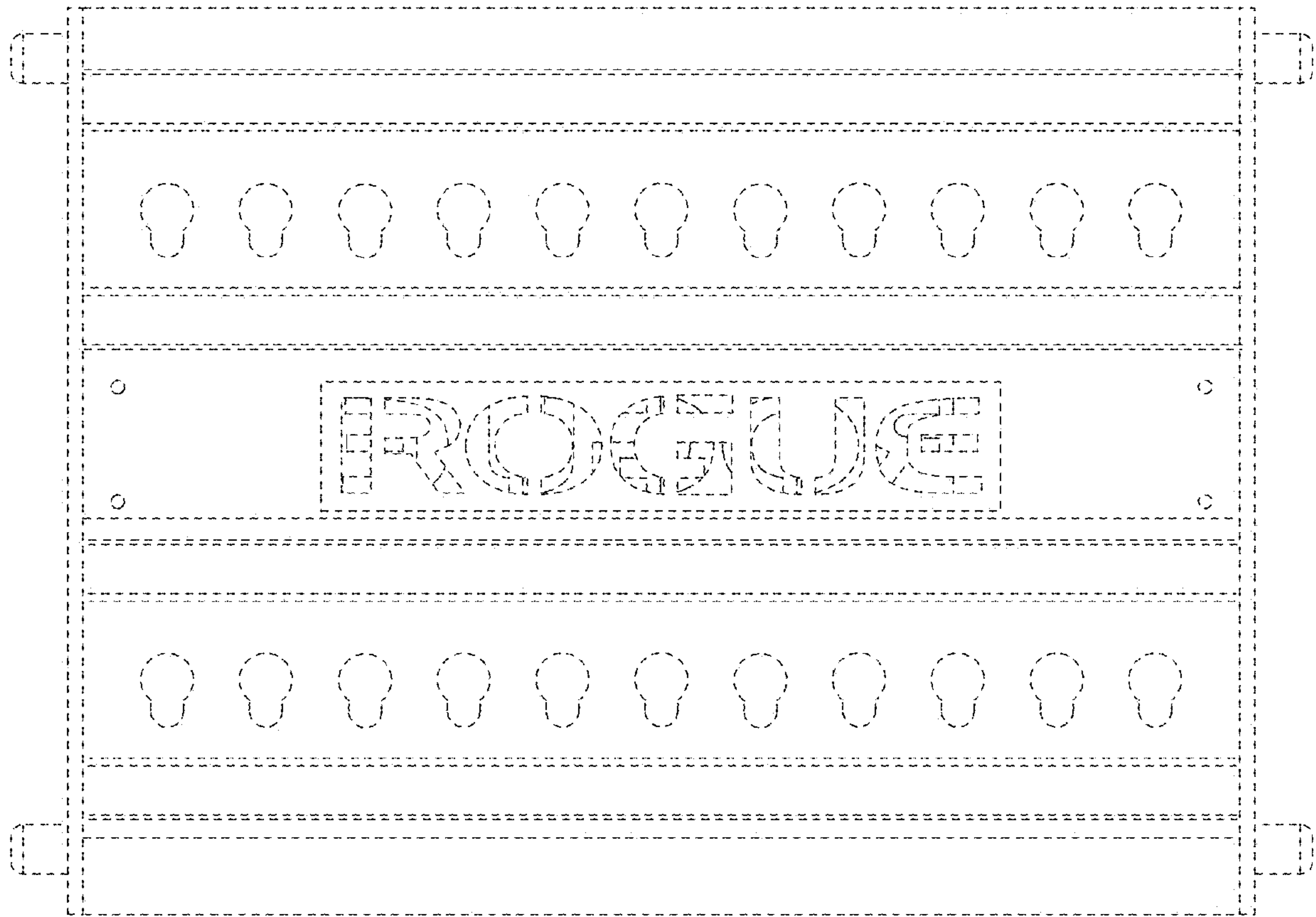


FIG. 3

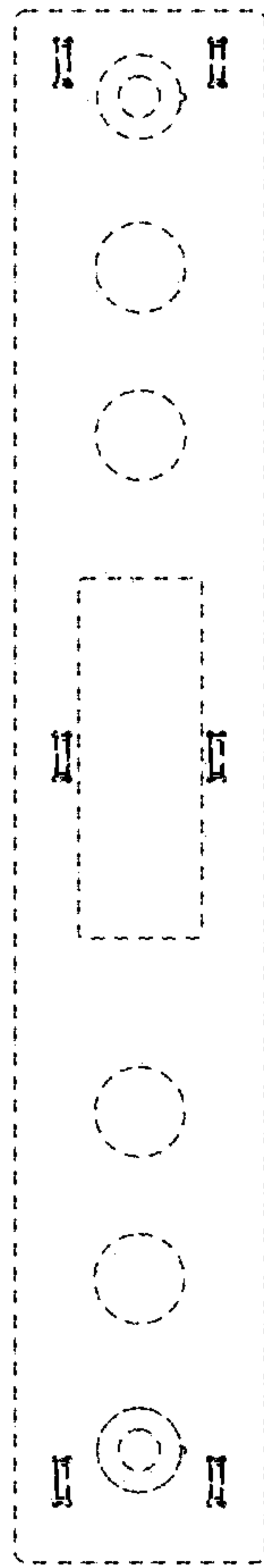


FIG. 4

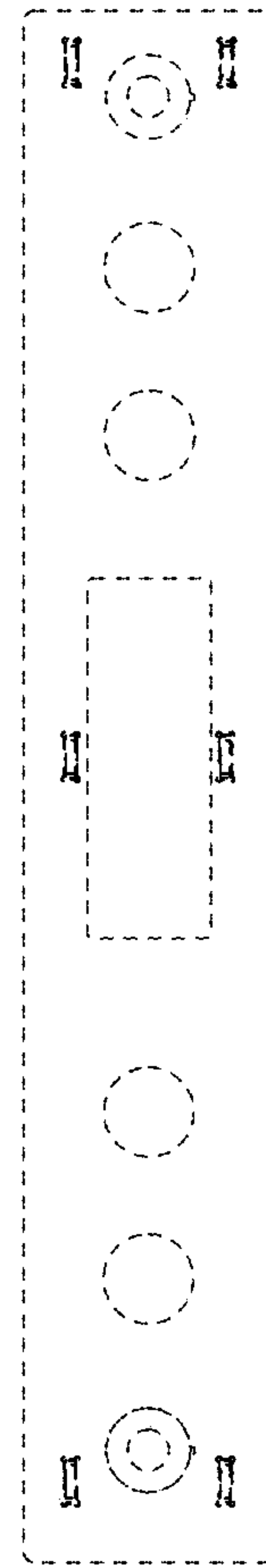


FIG. 5

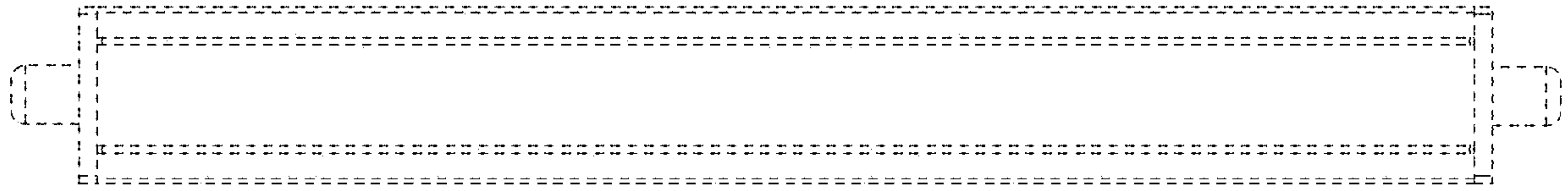


FIG. 6

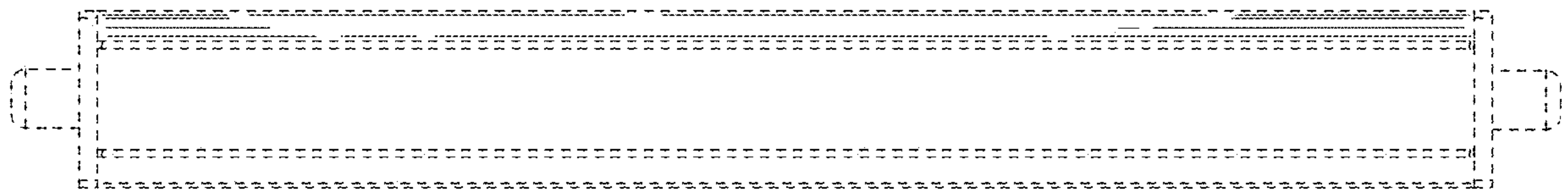


FIG. 7