



US00D955508S

(12) **United States Design Patent**
Ke

(10) **Patent No.:** **US D955,508 S**
(45) **Date of Patent:** **** Jun. 21, 2022**

(54) **STRENGTH TRAINING WRIST WEIGHT**

FOREIGN PATENT DOCUMENTS

(71) Applicant: **Shenzhenshi huitai dianzishangwu co., ltd**, Shenzhen (CN)

CN 306262726 S 1/2021
CN 306384101 S 3/2021

(72) Inventor: **Huazhe Ke**, Shenzhen (CN)

OTHER PUBLICATIONS

(**) Term: **15 Years**

Tosam, announced 2018[online], [site visited May 4, 2022]. Available on internet, URL:https://www.amazon.com/TOSAMC-Durable-Wrist-Weights-Gymnastics/dp/B07X3FFZCW/ref (Year: 2018).*
GZLT, announced 2021 [online], [site visited May 4, 2022]. Available on internet, URL:https://www.amazon.com/GZLT-Adjustable-Wearable-Exercise-Aerobics/dp/B09B24LV2M/ref (Year: 2021).*

(21) Appl. No.: **29/801,506**

(22) Filed: **Jul. 29, 2021**

(51) **LOC (13) Cl.** **21-02**

(52) **U.S. Cl.**
USPC **D21/683**

(58) **Field of Classification Search**
USPC D21/682, 681, 683, 680, 694, 679, 675,
D21/684

See application file for complete search history.

* cited by examiner

Primary Examiner — Khawaja Anwar
Assistant Examiner — Julice Seung Eun Oum

(56) **References Cited**

(57) **CLAIM**

The ornamental design for a strength training wrist weight, as shown and described.

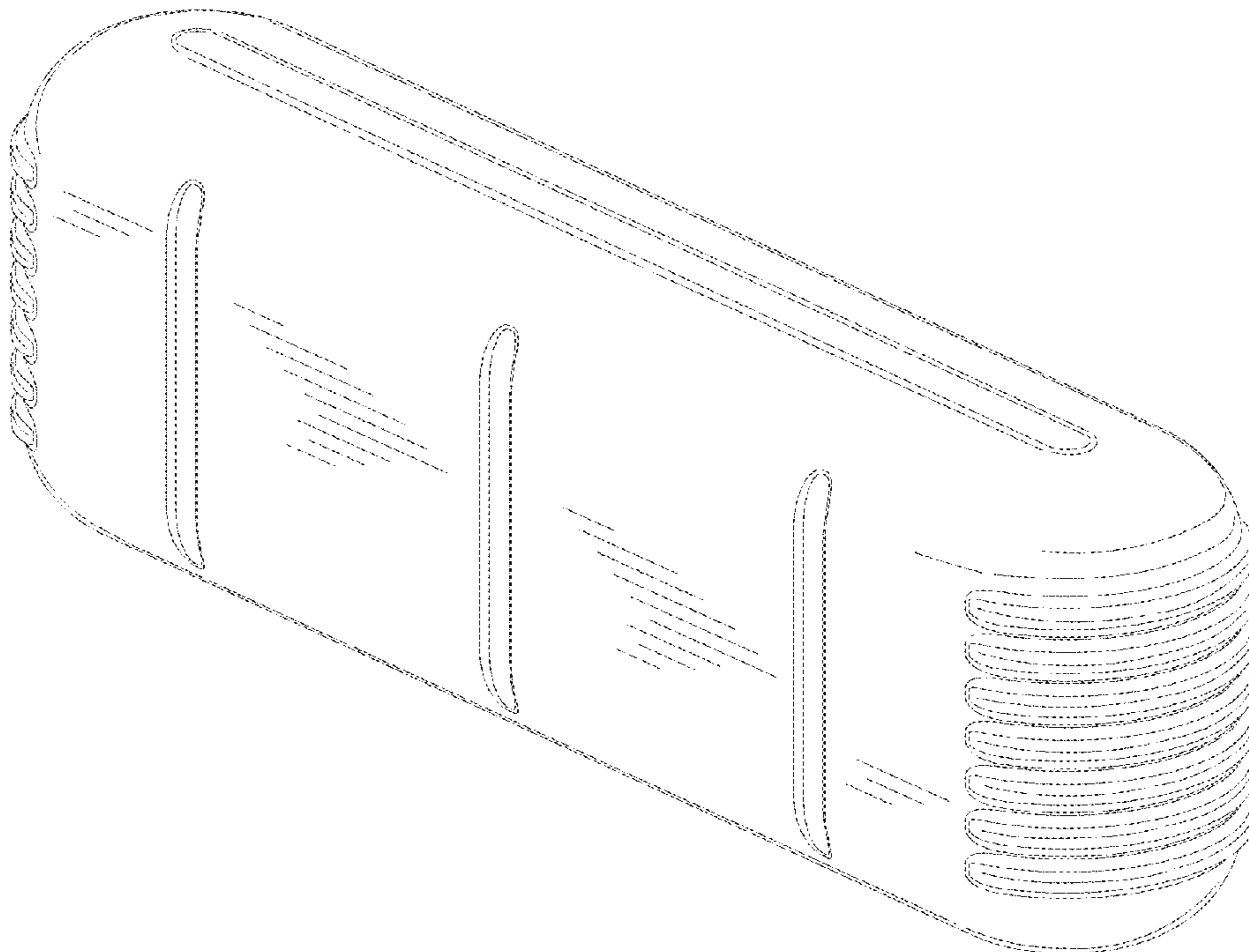
U.S. PATENT DOCUMENTS

DESCRIPTION

D516,542 S *	3/2006	Kang	D14/214
D570,869 S *	6/2008	Yamada	D14/496
D578,106 S *	10/2008	Shimizu	D14/216
D582,994 S *	12/2008	Ulichney	D21/683
D693,329 S *	11/2013	Lee	D14/216
D785,597 S *	5/2017	Fung	D14/204
D809,481 S *	2/2018	McManigal	D14/216
D871,247 S	12/2019	Voiler et al.		
D894,032 S	8/2020	Devaney et al.		
D934,099 S *	10/2021	Qin	D21/683
2009/0253560 A1 *	10/2009	Cook	A63B 21/4007 482/105
2010/0216607 A1 *	8/2010	Mueller	A63B 22/0285 482/54
2017/0056713 A1 *	3/2017	Abdourazak	A63B 21/4019

FIG. 1 is a top, front and right side elevational view of a strength training wrist weight showing our new design; FIG. 2 is a front plan view thereof; FIG. 3 is a rear plan view thereof; FIG. 4 is a left plan view thereof; FIG. 5 is a right view thereof; FIG. 6 is a top plan view thereof; FIG. 7 is a bottom plan view thereof; and, FIG. 8 is a bottom, rear and right side elevational view thereof.

1 Claim, 8 Drawing Sheets



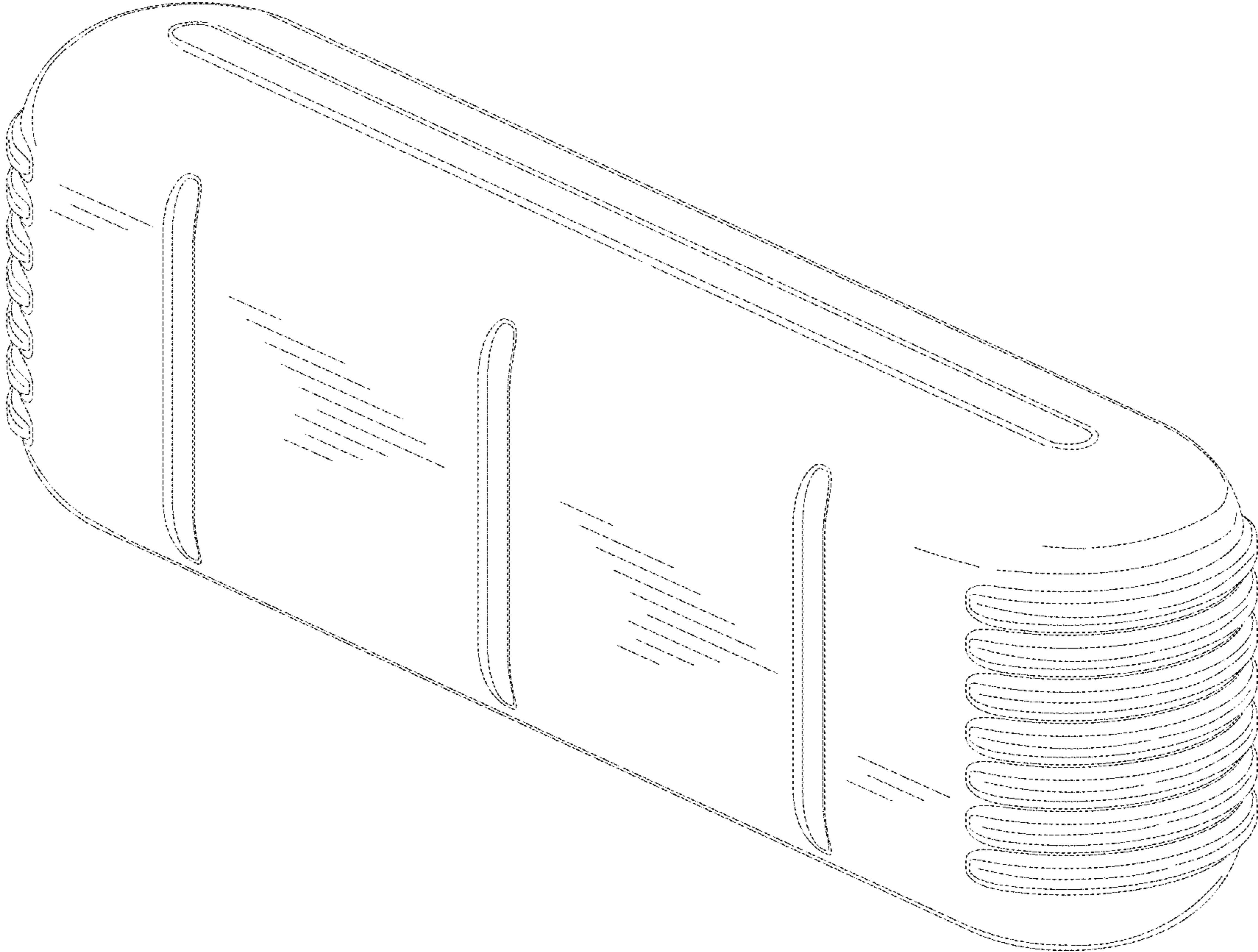


FIG.1

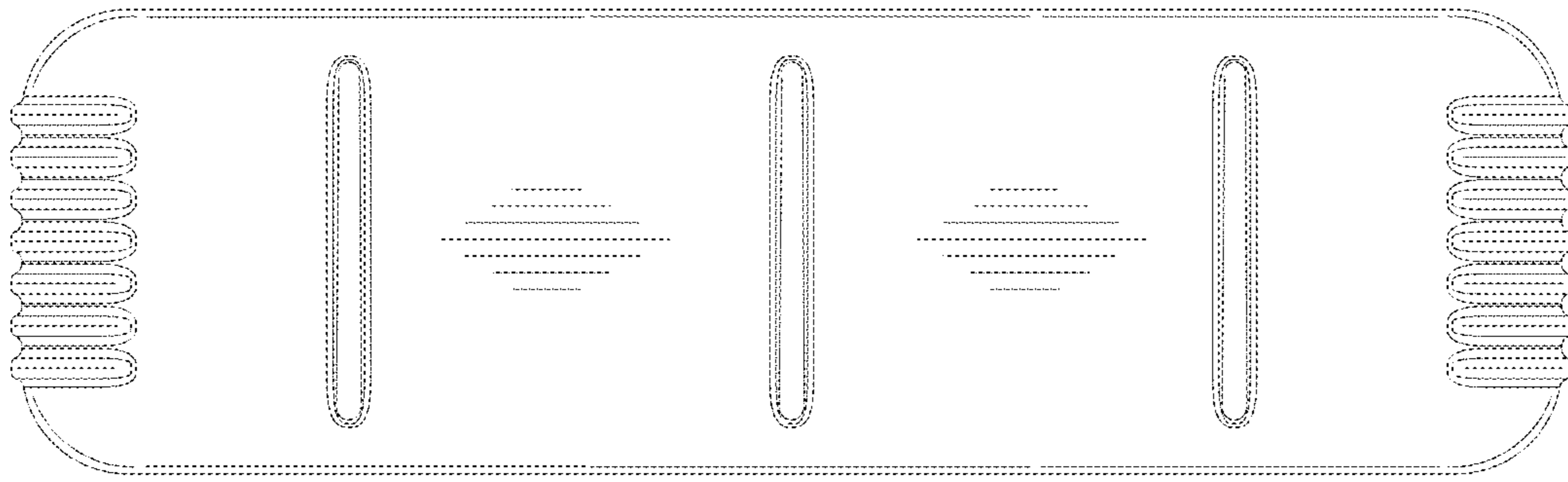


FIG. 2

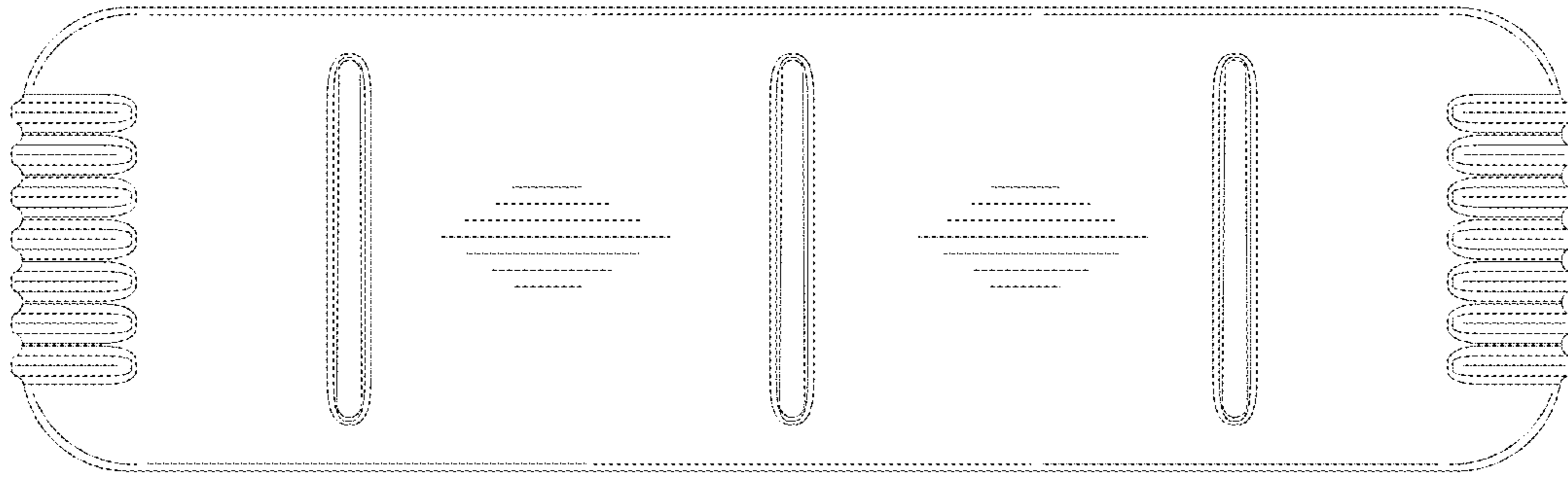


FIG.3

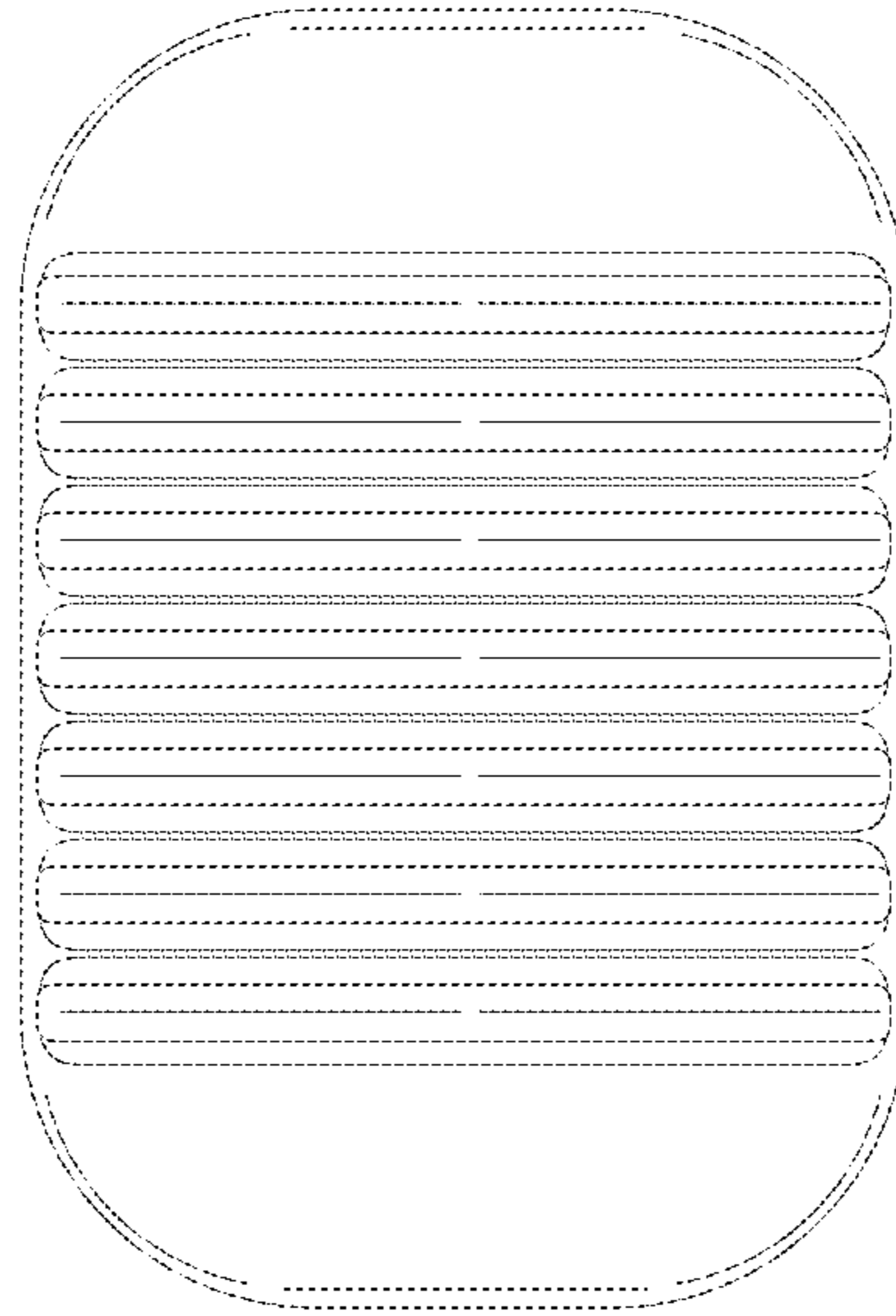


FIG. 4

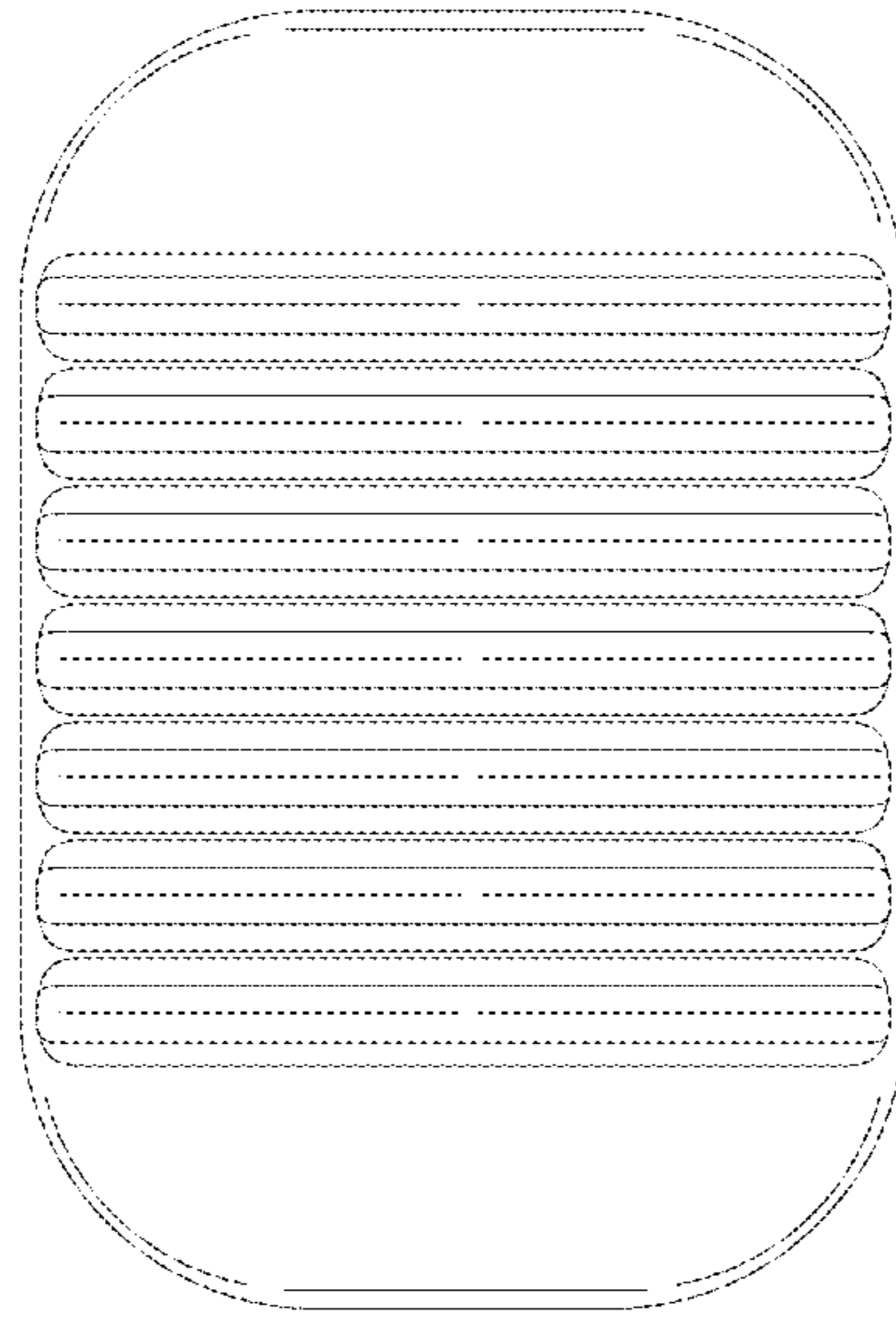


FIG.5

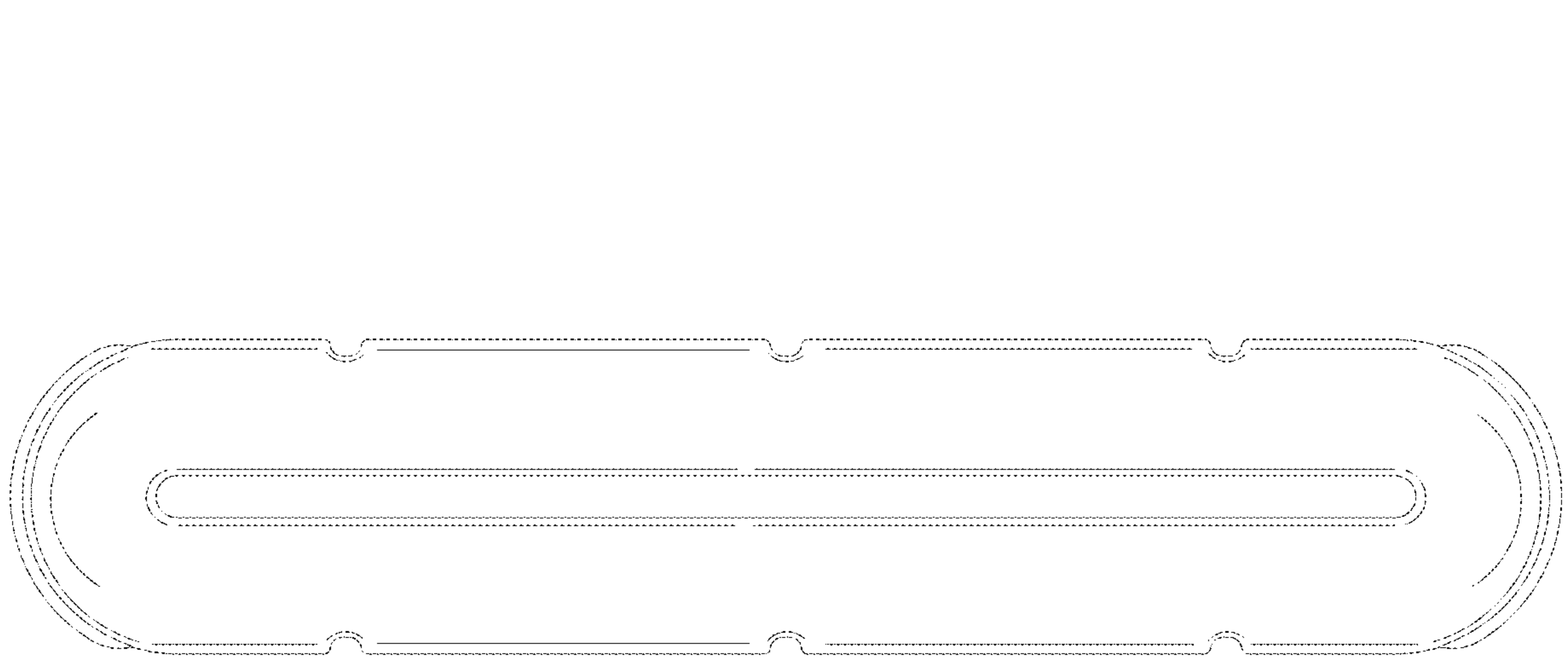


FIG. 6

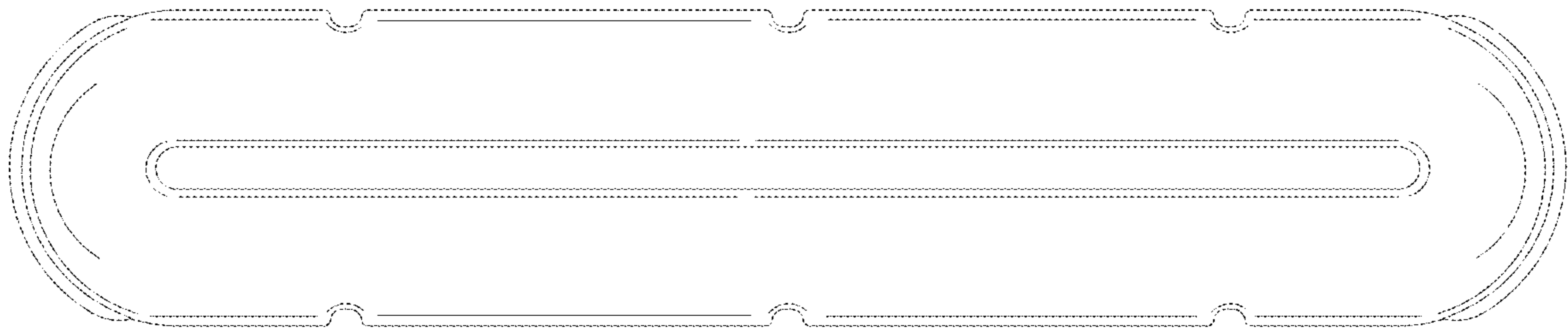


FIG. 7

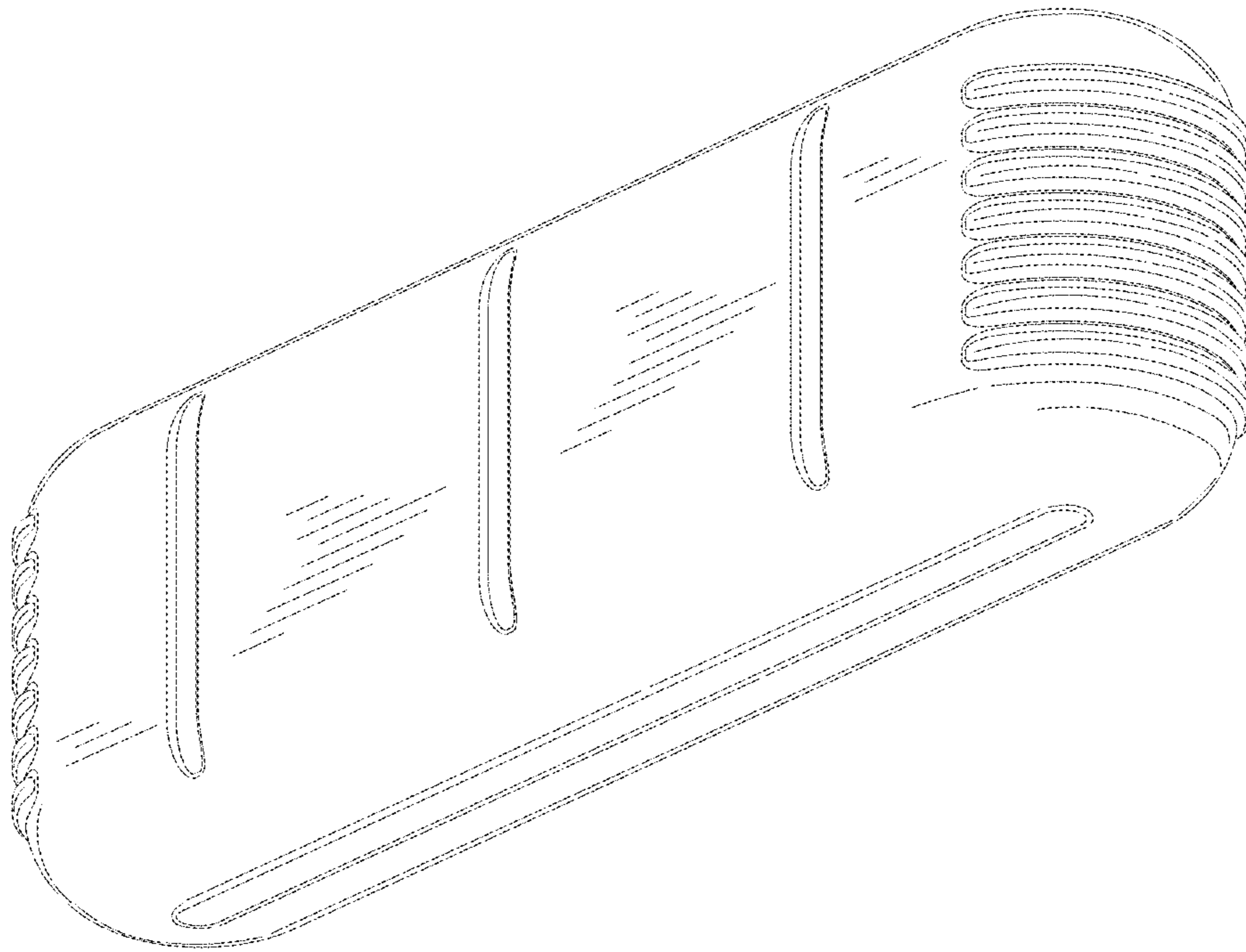


FIG. 8