



US00D955505S

(12) **United States Design Patent**
Cai

(10) **Patent No.:** **US D955,505 S**

(45) **Date of Patent:** **** Jun. 21, 2022**

- (54) **TOY GUN**
- (71) Applicant: **Ziran Cai**, Shantou (CN)
- (72) Inventor: **Ziran Cai**, Shantou (CN)
- (**) Term: **15 Years**
- (21) Appl. No.: **29/803,894**
- (22) Filed: **Aug. 17, 2021**
- (51) **LOC (13) Cl.** **21-01**
- (52) **U.S. Cl.**
USPC **D21/573**
- (58) **Field of Classification Search**
USPC D21/333, 570, 572-575; D14/418;
D22/100, 103, 104
CPC F41B 7/00; F41B 7/003; F41B 7/08; F41B
9/00; F41B 9/0078; F41B 9/0081; F41B
11/89; A63H 5/04
See application file for complete search history.

- 8,951,128 B1 * 2/2015 Farley F41J 5/02
434/21
- D770,594 S * 11/2016 Dammkoehler D23/226
- D875,199 S * 2/2020 Hu D21/573
- D891,582 S * 7/2020 Hamlin D21/575
- D907,720 S * 1/2021 Singer D21/574
- D944,336 S * 2/2022 Ren D21/572
- 2013/0239936 A1 * 9/2013 Victor F41A 19/52
124/16
- 2019/0321718 A1 * 10/2019 Margareten A63F 9/0204
- 2021/0102769 A1 * 4/2021 DeRoche F42B 6/00

* cited by examiner

Primary Examiner — Cynthia M. Chin

(57) **CLAIM**

The ornamental design for a toy gun, as shown and described.

DESCRIPTION

FIG. 1 is a perspective view of a toy gun showing my new design;
 FIG. 2 is a front elevational view thereof;
 FIG. 3 is a rear elevational view thereof;
 FIG. 4 is a left side elevational view thereof;
 FIG. 5 is a right side elevational view thereof;
 FIG. 6 is a top plan view thereof; and,
 FIG. 7 is a bottom plan view thereof.

1 Claim, 7 Drawing Sheets

(56) **References Cited**

U.S. PATENT DOCUMENTS

- D400,954 S * 11/1998 Ealovega D22/100
- D660,920 S 5/2012 Johnson et al.
- D660,921 S 5/2012 Johnson et al.

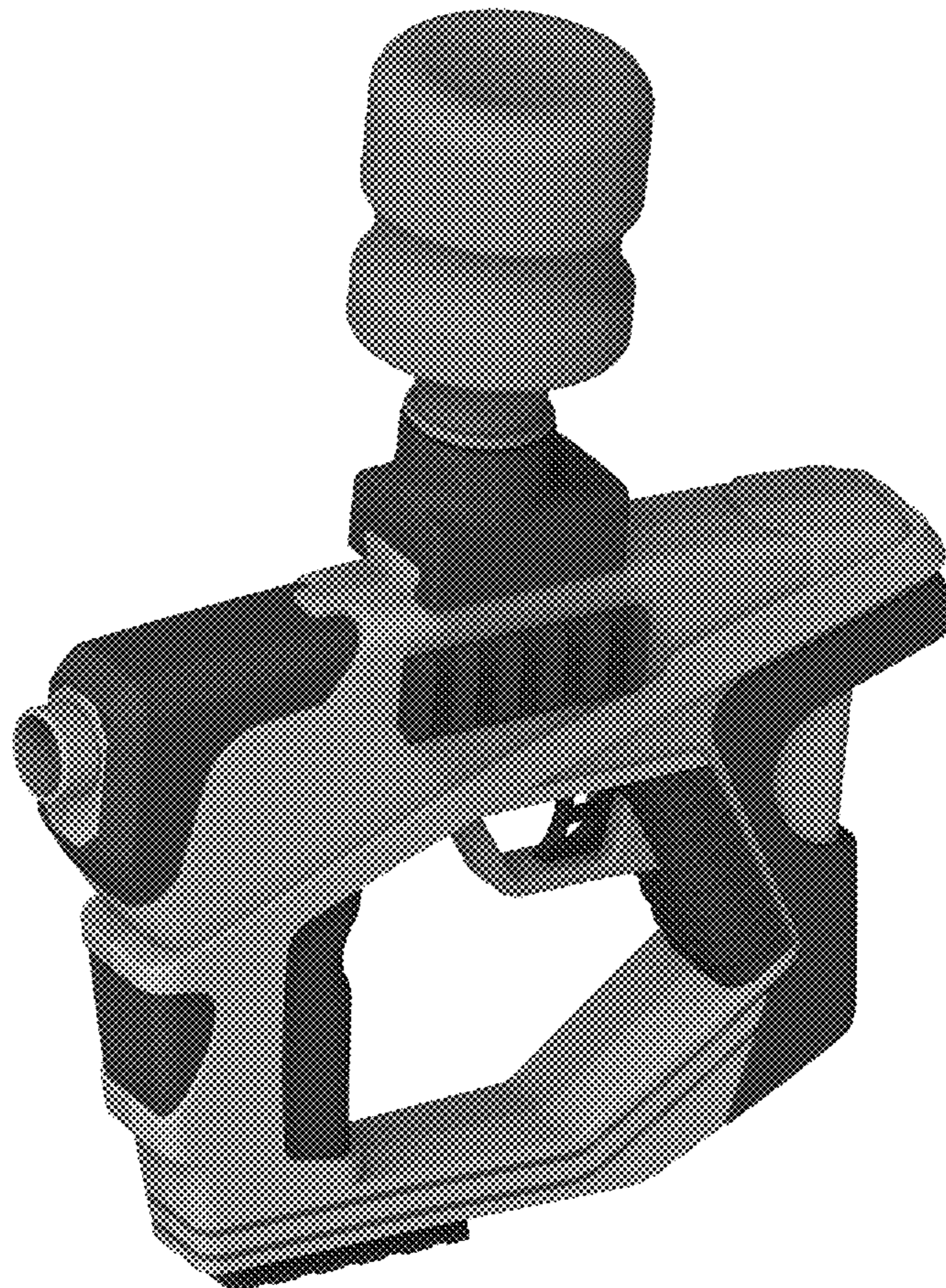




FIG. 1

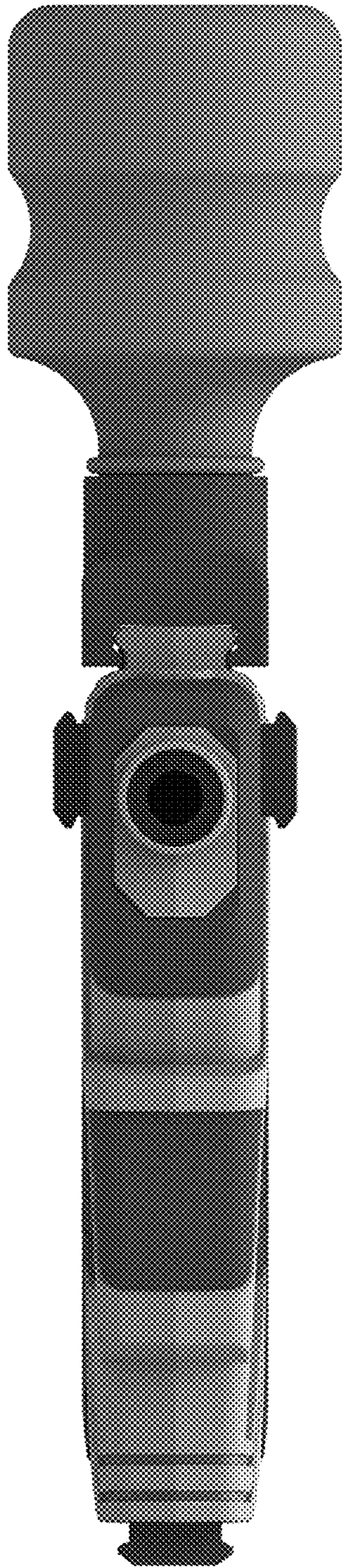


FIG. 2

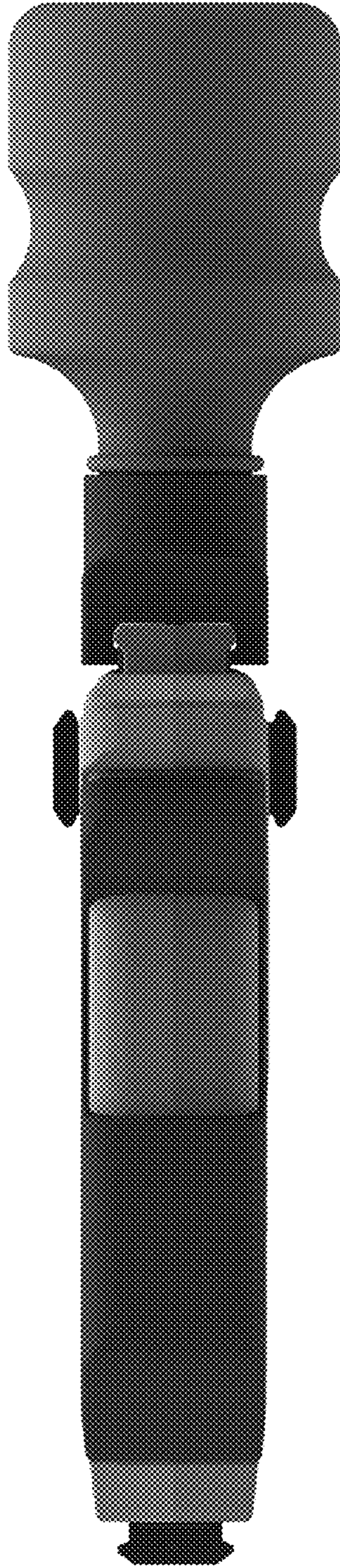


FIG. 3



FIG. 4

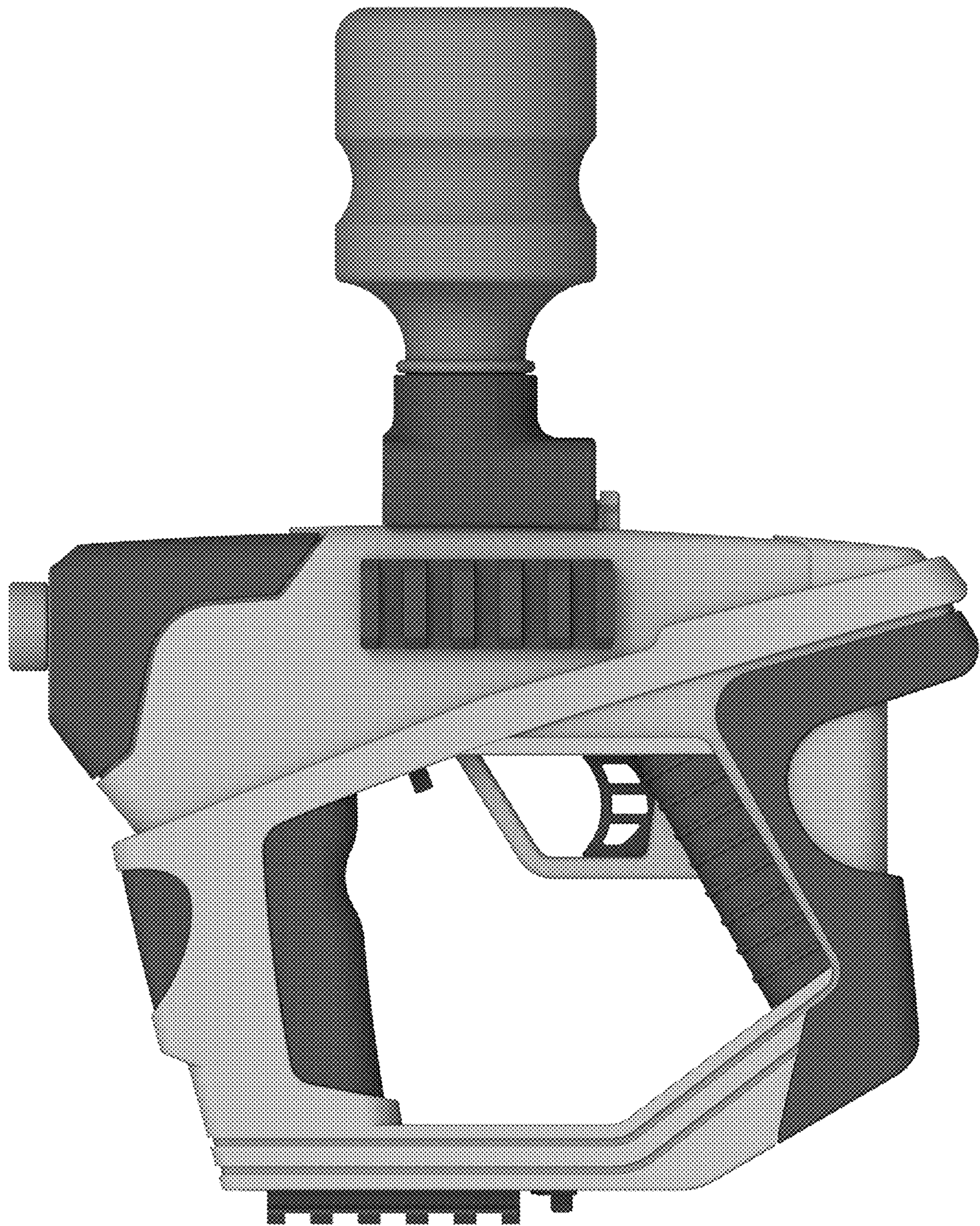


FIG. 5

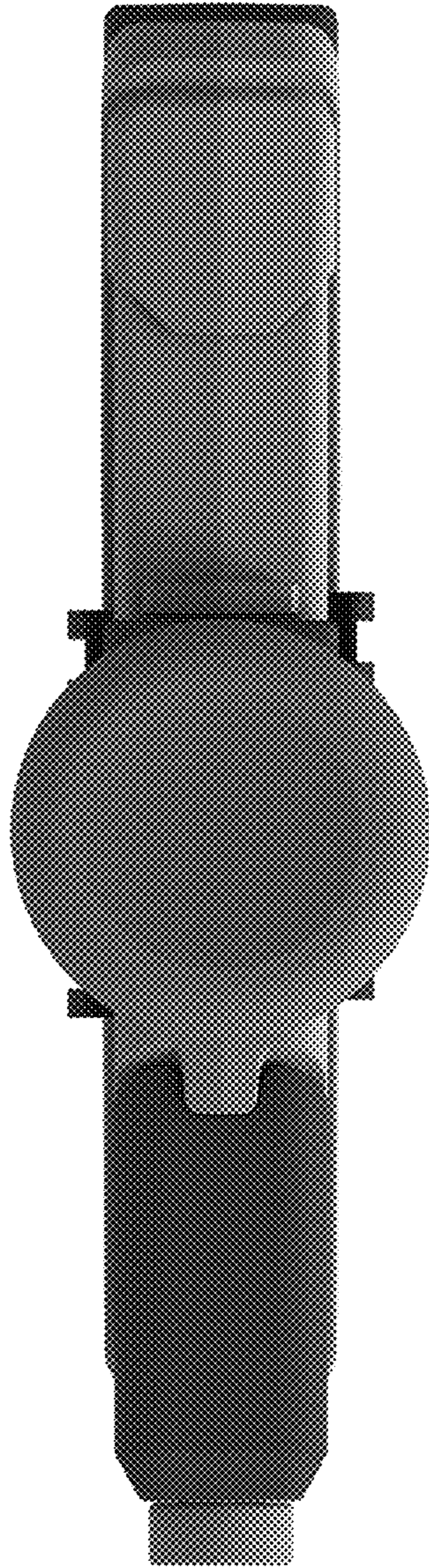


FIG. 6

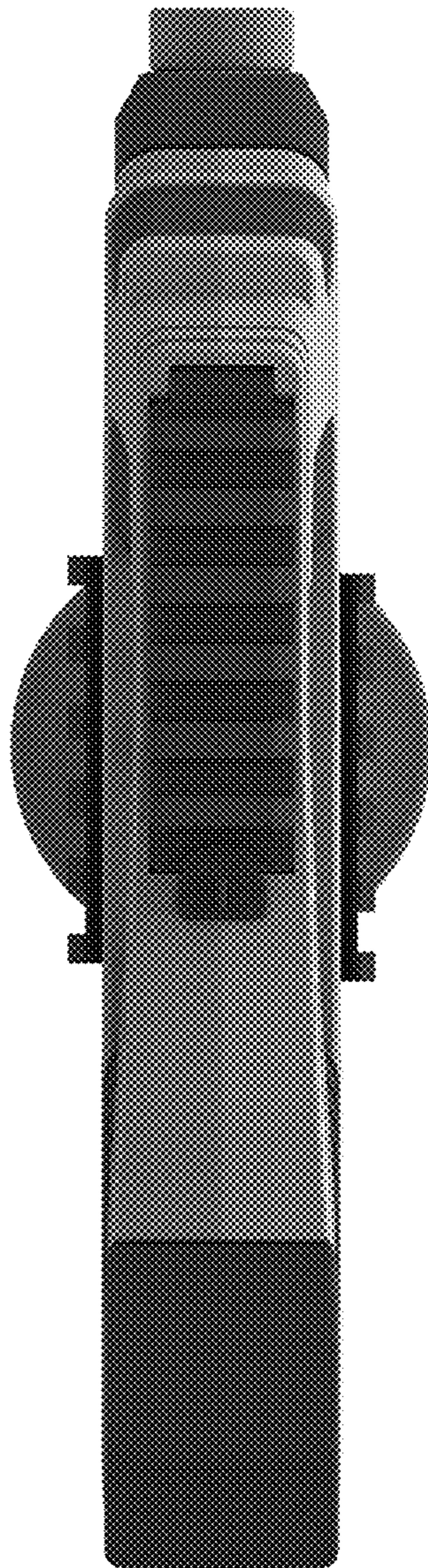


FIG. 7