



US00D955504S

(12) **United States Design Patent**
Mistry et al.

(10) **Patent No.:** **US D955,504 S**
(45) **Date of Patent:** **** Jun. 21, 2022**

- (54) **VIDEO GAME CONTROLLER THUMBSTICK ATTACHMENT**
- (71) Applicant: **KontrolFreek, LLC**, Atlanta, GA (US)
- (72) Inventors: **Ashish Mistry**, Atlanta, GA (US); **Brett Daniel Lorber**, Atlanta, GA (US)
- (73) Assignee: **KONTROLFREEK, LLC**, Atlanta, GA (US)

D719,165 S *	12/2014	Hill	D14/412
D728,420 S *	5/2015	Leung	D11/220
D760,853 S *	7/2016	Wallin	D21/759
D762,780 S *	8/2016	Mistry	D21/333
D762,781 S *	8/2016	Mistry	D21/333
D762,782 S *	8/2016	Walker, II	D21/333
D763,378 S *	8/2016	Wallin	D21/759
D787,670 S *	5/2017	Suzuki	D24/138

(Continued)

- (**) Term: **15 Years**
- (21) Appl. No.: **29/661,060**

(22) Filed: **Aug. 24, 2018**

- (51) **LOC (13) Cl.** **21-01**
- (52) **U.S. Cl.**
USPC **D21/566**

- (58) **Field of Classification Search**
USPC D14/399-401, 412-418, 485-486;
D21/333, 328, 566, 756; D11/95-100,
D11/105-106, 108, 110, 116, 132, 222,
D11/226, 228, 233; D2/828-829;
D8/287

CPC .. A63F 13/02; A63F 9/24; A63F 13/12; A63F 9/00; A63F 11/00; A63F 71/00; G06F 3/02; G06F 3/033; G09G 5/00; A44C 7/00; A44C 7/002; H01H 13/70; Y10S 273/30; A44B 1/14; A44B 1/02; A44B 1/20; A44B 1/00

See application file for complete search history.

(56) **References Cited**

U.S. PATENT DOCUMENTS

D248,598 S *	7/1978	Bahmer	D11/27
D540,395 S *	4/2007	Bailey	D14/412
D617,847 S *	6/2010	Royer, II	D21/333
D657,094 S *	4/2012	Logan	D29/114
D668,728 S *	10/2012	Savarese	D21/759
D670,778 S *	11/2012	Savarese	D21/759

OTHER PUBLICATIONS

KontrolFreek Omni for Xbox One and Xbox Series X Controller, Mar. 13, 2018, Amazon.com, Jul. 13, 2021.URL: <https://www.amazon.com/dp/B07B2YT1FT> (Year: 2018).*

(Continued)

Primary Examiner — Keith J Wilson

(74) *Attorney, Agent, or Firm* — Seyfarth Shaw; Jamaica Szeliga

(57) **CLAIM**

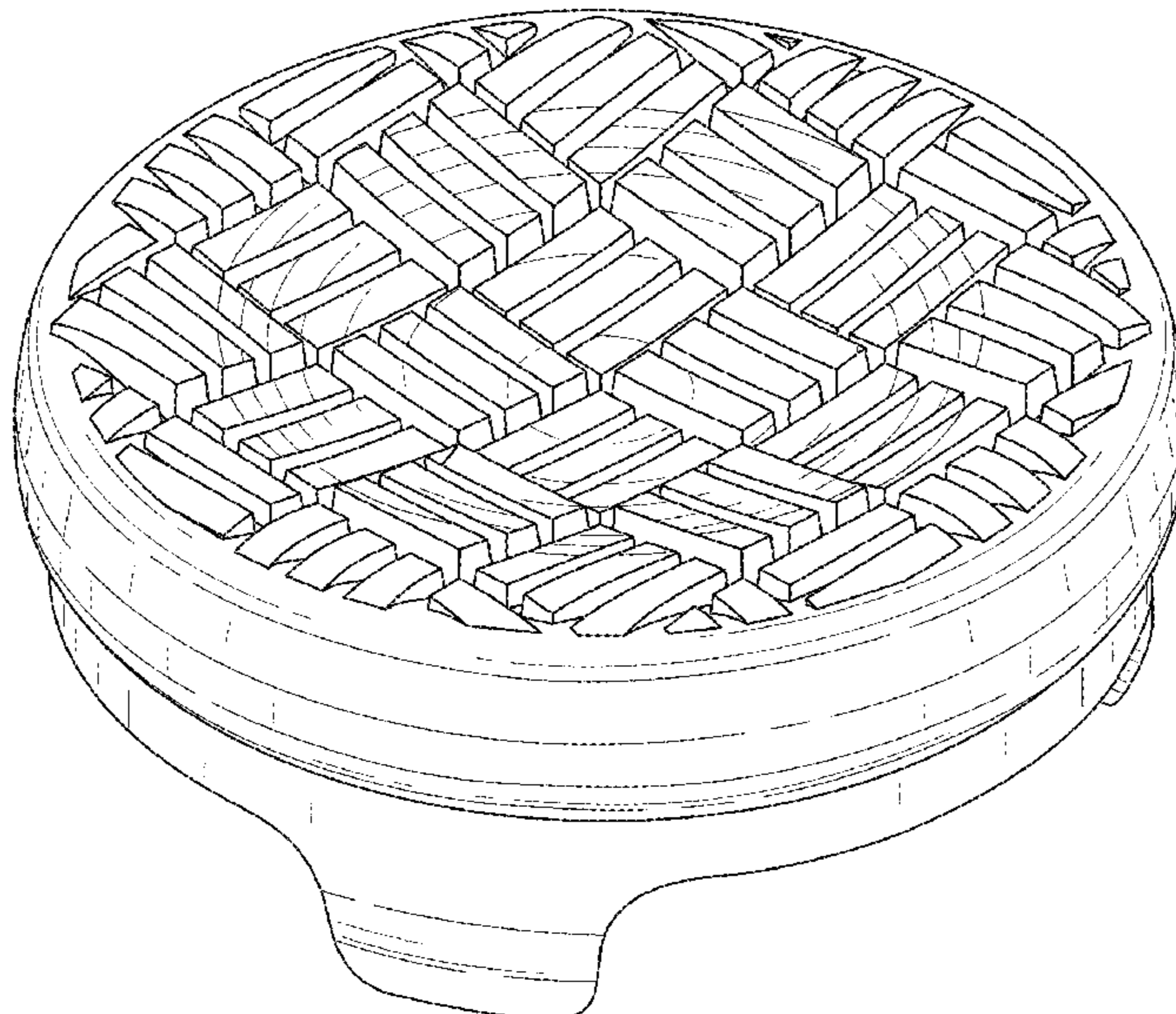
We claim the ornamental design for a video game controller thumbstick attachment, as shown and described.

DESCRIPTION

FIG. 1 is a top perspective view of a video game controller thumbstick attachment showing the new design;
 FIG. 2 is a top plan view thereof;
 FIG. 3 is a bottom plan view thereof;
 FIG. 4 is a first side elevation view thereof;
 FIG. 5 is a second side elevation view thereof; and,
 FIG. 6 is a top perspective view thereof showing the video game controller thumbstick attachment positioned on a thumbstick of a video game controller.

The broken lines in FIG. 3 represent portions of a video game controller thumbstick attachment and form no part of the claimed design. The broken lines in FIG. 6 depict environment and forms no part of the claimed design.

1 Claim, 5 Drawing Sheets



(56)

References Cited

U.S. PATENT DOCUMENTS

9,993,047 B1 * 6/2018 Patterson A44B 1/14
 D837,685 S * 1/2019 Miki D11/200
 D869,775 S * 12/2019 Voosen D29/114
 D871,255 S * 12/2019 Williamson D11/222
 D889,315 S * 7/2020 Herriot D11/222
 D900,226 S * 10/2020 DeLille D21/333
 D909,396 S * 2/2021 Whitaker D14/454
 D914,693 S * 3/2021 Jetter D14/454
 D917,622 S * 4/2021 Hsu D21/333
 2006/0003840 A1 * 1/2006 Bailey A63F 13/02
 463/36
 2008/0313864 A1 * 12/2008 Suter A44B 1/14
 24/113 R
 2009/0217438 A1 * 9/2009 Purnell A41D 19/01588
 2/21
 2014/0101896 A1 * 4/2014 Rowton A44B 1/14
 24/113 MP

2014/0101897 A1 * 4/2014 Clark A44B 1/04
 24/113 R
 2016/0249693 A1 * 9/2016 Guerrero A63B 71/143
 2/21
 2017/0106274 A1 * 4/2017 Ramcheran A63F 13/24
 2020/0179799 A1 * 6/2020 Ramcheran A63F 13/98
 2021/0353009 A1 * 11/2021 Clark A44B 1/04

OTHER PUBLICATIONS

KontrolFreek FPS Freek Galaxy Purple for Xbox One and Xbox Series X Controller, Oct. 15, 2015, Amazon.com, URL: <https://www.amazon.com/KontrolFreek-Galaxy-Purple-Performance-Thumbsticks-Controller/dp/B016P0BVH4> (Year: 2015).*
 Linkstyle 6PCS Switch Joystick Replacement 3D Analog Joystick Analog Thumb Stick, Sep. 27, 2020, amazon.ca, Feb. 25, 2022 <https://www.amazon.com/Joystick-Replacement-Joysticks-Controller-Thumbstick/dp/B08K72NF13> (Year: 2020).*

* cited by examiner

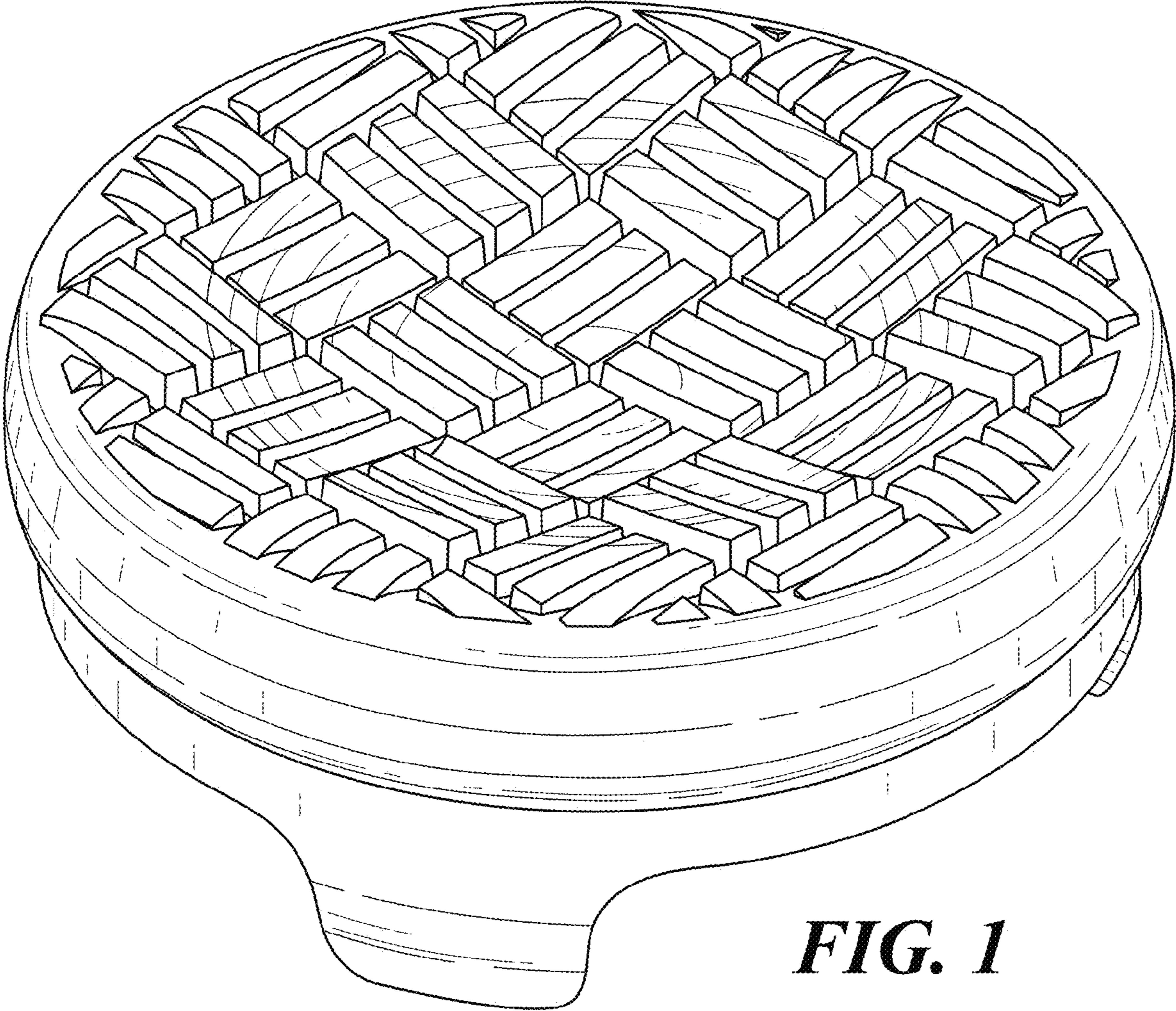


FIG. 1

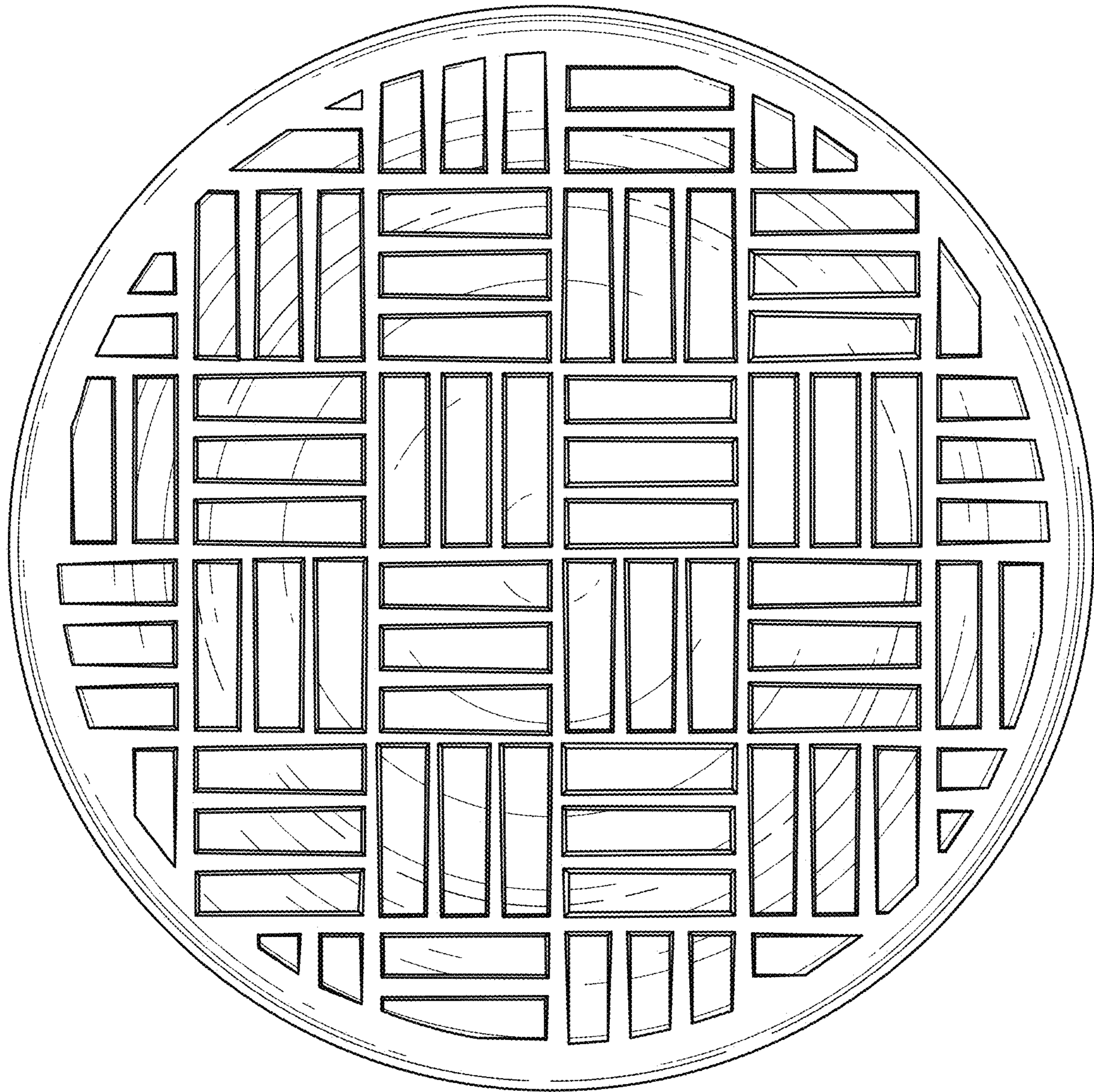


FIG. 2

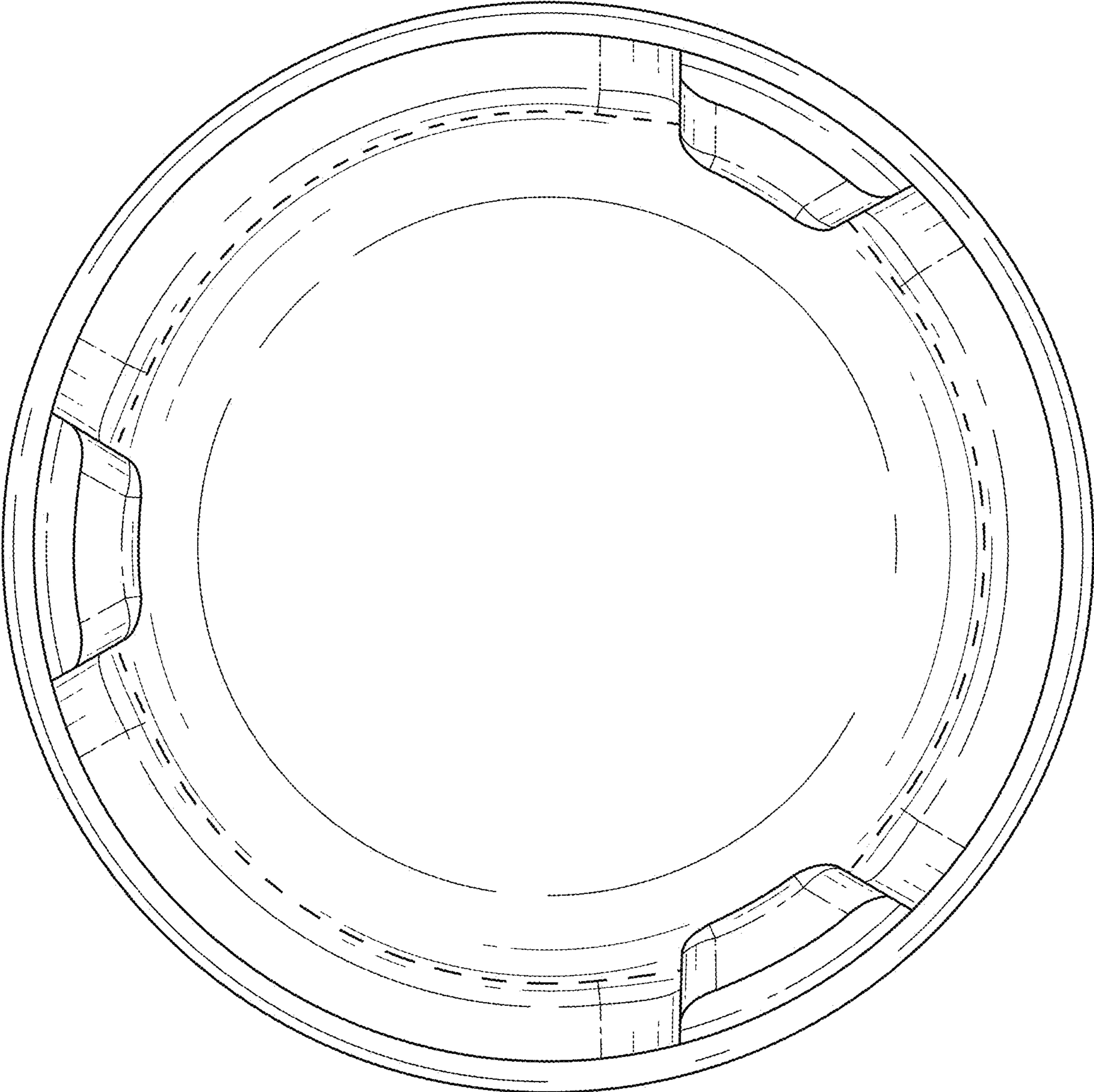


FIG. 3

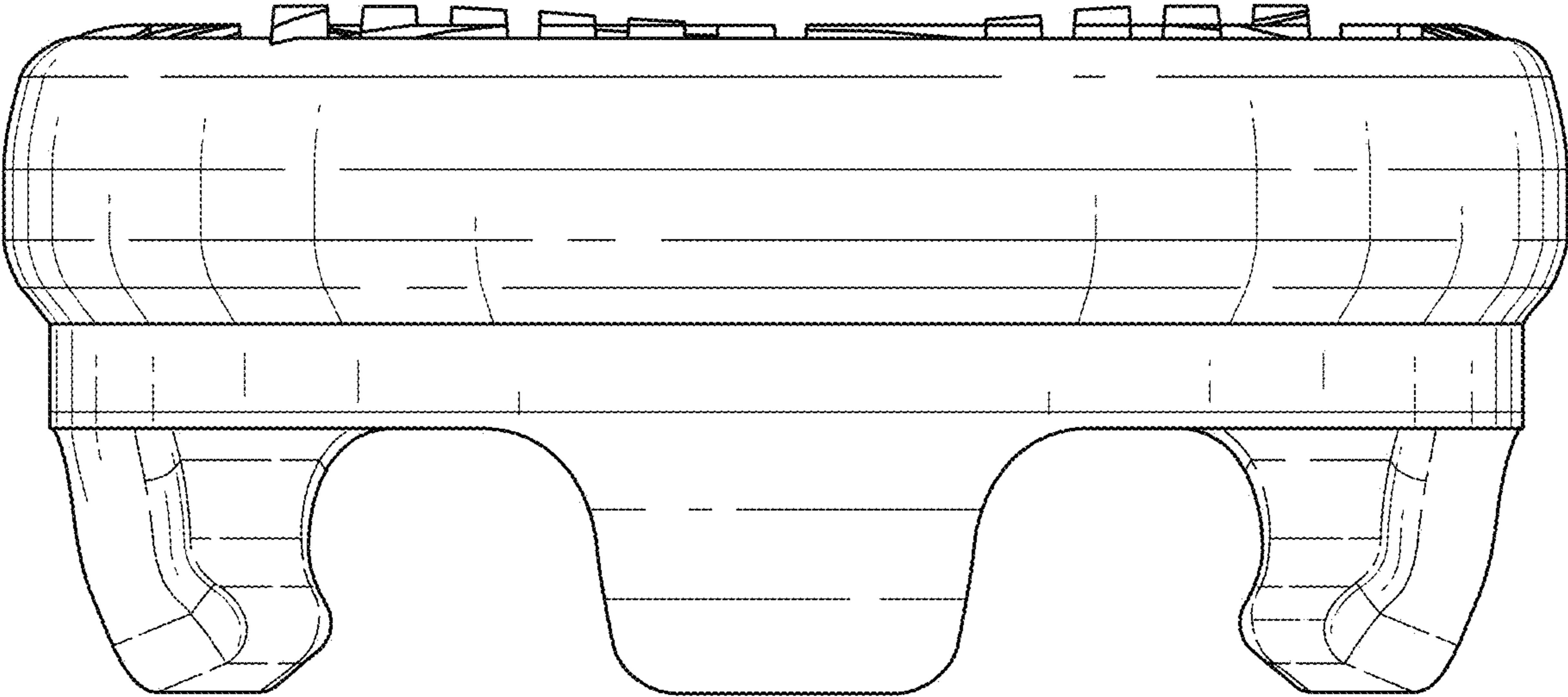


FIG. 4

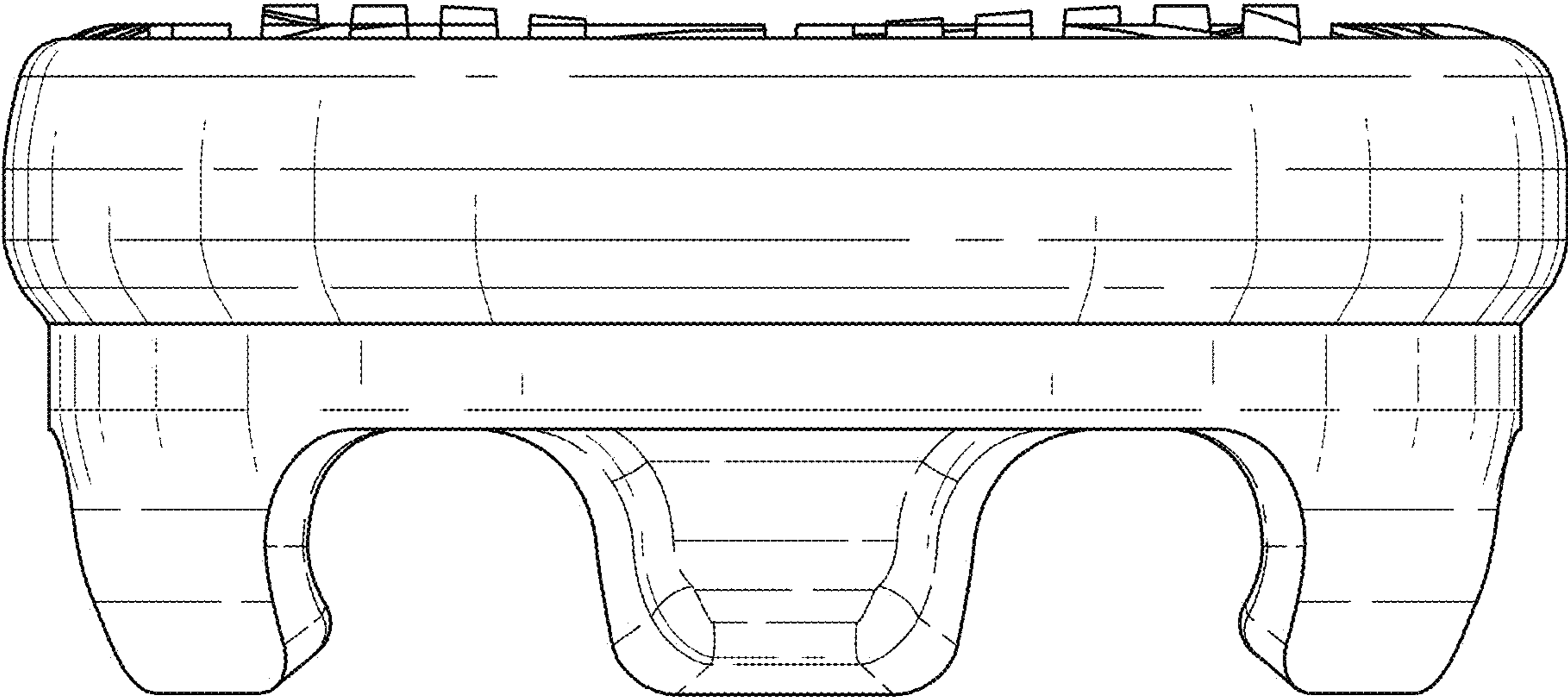


FIG. 5

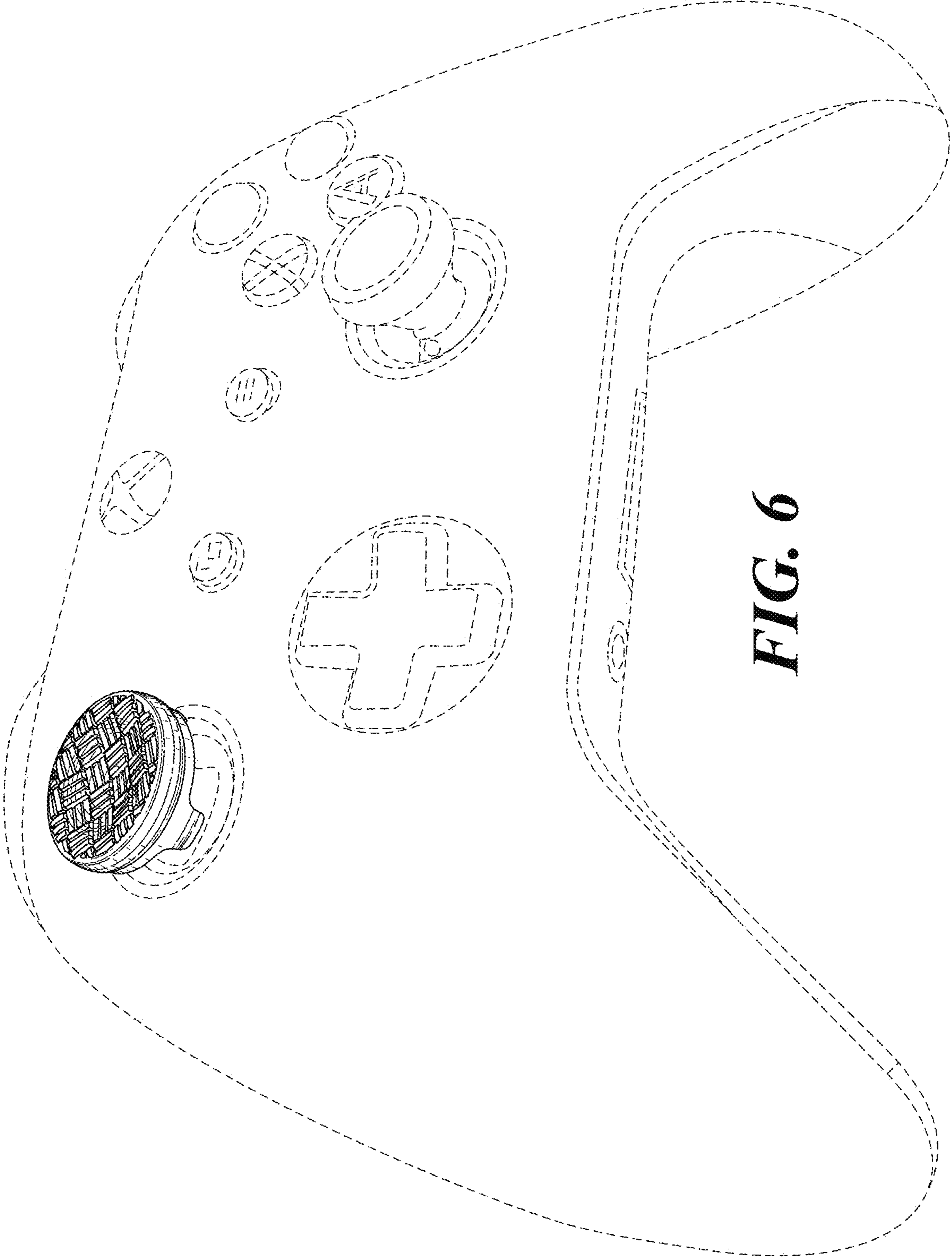


FIG. 6