



US00D955502S

(12) **United States Design Patent**
Thomas et al.

(10) **Patent No.:** **US D955,502 S**
(45) **Date of Patent:** **** Jun. 21, 2022**

- (54) **TOY**
- (71) Applicants: **Darrell Thomas**, Arden, NC (US);
Brett Ronald Banther, Lake Toxaway,
NC (US)
- (72) Inventors: **Darrell Thomas**, Arden, NC (US);
Brett Ronald Banther, Lake Toxaway,
NC (US)

- 3,363,362 A * 1/1968 Jolley A63H 17/14
446/180
- 3,917,270 A * 11/1975 Gothard, Jr. F41J 9/02
273/359
- 4,213,269 A * 7/1980 Grogg, Sr. A63H 17/045
124/82
- D258,223 S * 2/1981 Itakura F41J 9/02
D21/539
- D272,641 S * 2/1984 Boudreaux D21/539
(Continued)

(**) Term: **15 Years**

FOREIGN PATENT DOCUMENTS

(21) Appl. No.: **29/695,594**

- CN 3339160 * 12/2003
- CN 301940654 * 5/2012

(22) Filed: **Jun. 20, 2019**

(Continued)

(51) **LOC (13) Cl.** **21-01**

(52) **U.S. Cl.**

USPC **D21/539**

(58) **Field of Classification Search**

USPC D21/537, 533, 552, 548, 424, 434, 419,
D21/427, 433, 530, 539, 550, 551, 561,
D21/562, 549; D12/12, 82, 83, 84, 86,
D12/87, 88, 91

CPC A63H 17/02; A63H 17/002; A63H 17/006;
A63H 17/004; A63H 17/045; A63H
17/008; A63H 17/14; B62D 55/075;
F41H 7/00

See application file for complete search history.

OTHER PUBLICATIONS

“Bandai / Sears—Commander Tank,” 1960s, vintagespacetoys.com, site visited Nov. 9, 2021, URL: <https://vintagespacetoys.com/products/bandai-sears-commander-tank/> (Year: 1960).*

(Continued)

Primary Examiner — Eric L Goodman

Assistant Examiner — Sarah L Smith

(74) *Attorney, Agent, or Firm* — Rebecca E. Crandall

(57) **CLAIM**

The ornamental design for a toy, as shown.

(56) **References Cited**

DESCRIPTION

U.S. PATENT DOCUMENTS

- 1,344,353 A * 6/1920 Henryt B62D 55/108
180/9.58
- D137,108 S * 1/1944 Larsen D21/539
- 2,404,489 A * 7/1946 Hait F41H 7/00
440/12.64
- D169,229 S * 3/1953 Tober D21/833
- D191,793 S * 11/1961 Alvaney D21/539
- 3,065,569 A * 11/1962 Nielsen A63H 17/045
446/88
- D208,059 S * 7/1967 Blumenthal D21/539

FIG. 1 is a perspective view of the toy showing my new design;

FIG. 2 is a left side view thereof;

FIG. 3 is a front view thereof;

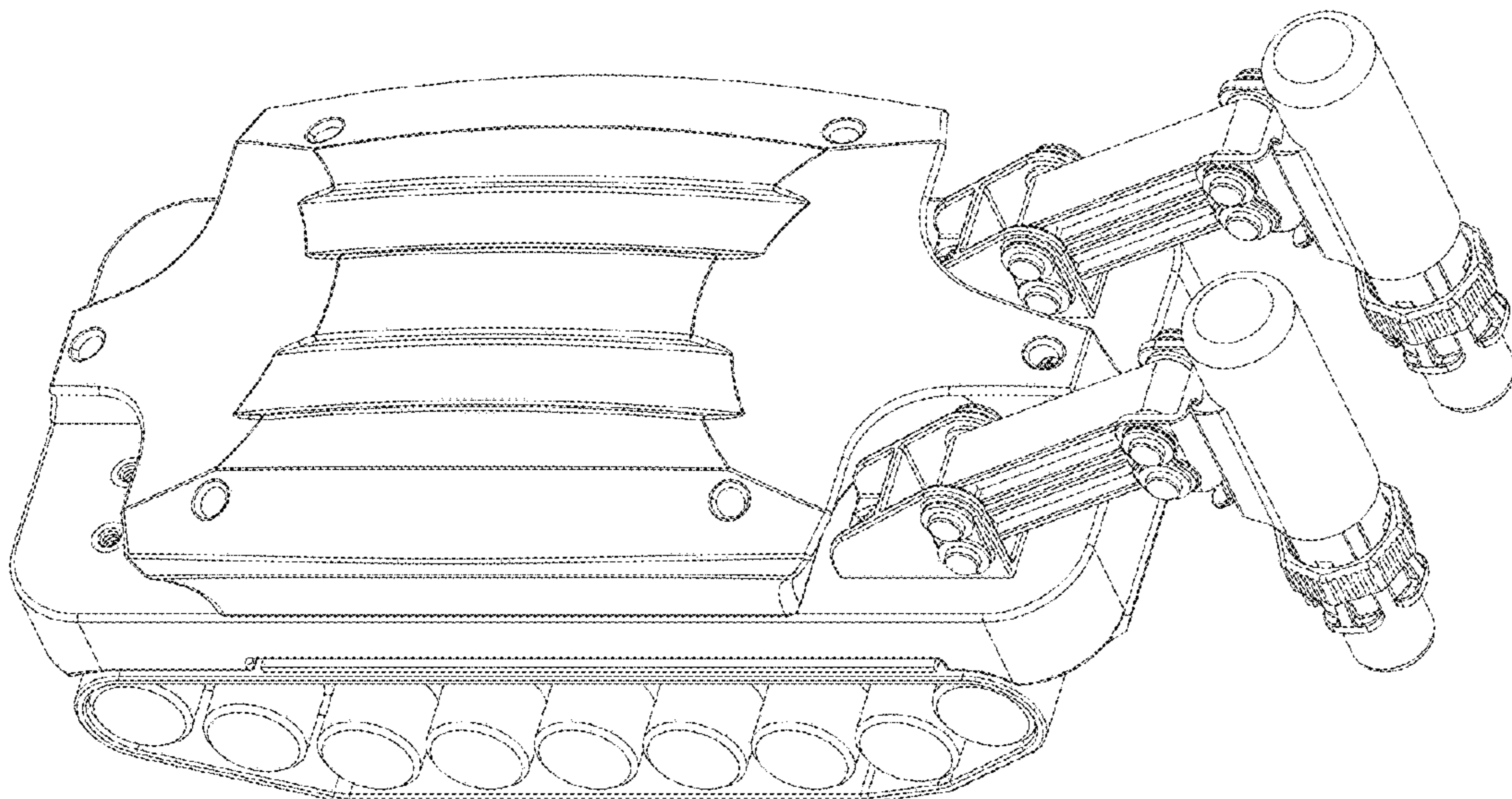
FIG. 4 is a back view thereof;

FIG. 5 is a right side view thereof;

FIG. 6 is a bottom view thereof; and,

FIG. 7 is a top view thereof.

1 Claim, 7 Drawing Sheets



(56)

References Cited

U.S. PATENT DOCUMENTS

D274,165 S * 6/1984 Duennes D21/533
D290,630 S * 6/1987 Kitamura B62D 55/108
D296,913 S * 7/1988 Shibukawa D21/580
D425,140 S * 5/2000 Bao D21/539
D468,370 S * 1/2003 Hattori A63H 17/14
8,758,076 B1 6/2014 Austin D21/539
D903,529 S * 12/2020 Baumeier F41H 7/00
D915,469 S * 4/2021 Ninomiya D12/12
D927,352 S * 8/2021 Howe D15/25
D946,467 S * 3/2022 Väarsi D12/12

FOREIGN PATENT DOCUMENTS

CN 202876351 U * 4/2013
CN 303543236 * 1/2016
CN 305149036 * 5/2019
RU 2746906 C2 * 4/2021

OTHER PUBLICATIONS

“For Sale—Commander Tank—Sears Exclusive, Bandai—Japan,”
2018, reddit.com, site visited Nov. 9, 2021, URL: https://www.reddit.com/user/MarkBerginToys/comments/8uv9c8/for_sale_commander_tank_sears_exclusive_bandai/ (Year: 2018).*

“Bandai HGUC 1/144 M61A5 Main Battle Tank,” Jul. 22, 2018,
gunplanerd.blogspot.com, site visited Nov. 9, 2021, URL: <http://gunplanerd.blogspot.com/2018/07/gallery-bandai-hguc-1144-m61a5-main.html> (Year: 2018).*

“GIRLS und PANZER Dream Tank Match—1st Promotion Video,”
Jan. 9, 2018, bandainamcoent.asia, site visited Nov. 9, 2021, URL:
<https://bandainamcoent.asia/news/girls-und-panzer-dream-tank-match-1st-promotion-video/> (Year: 2018).*

* cited by examiner

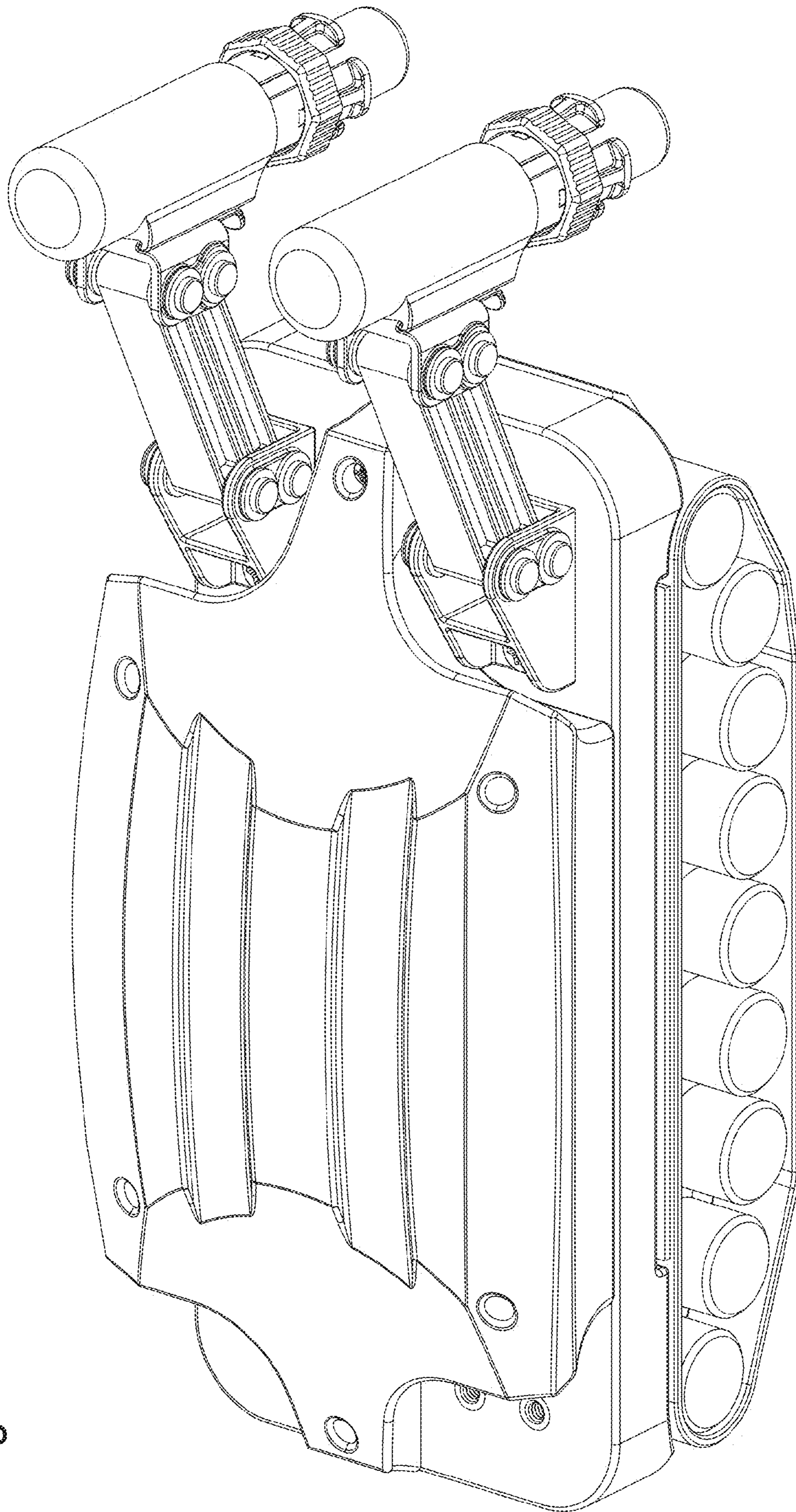


Fig. 1

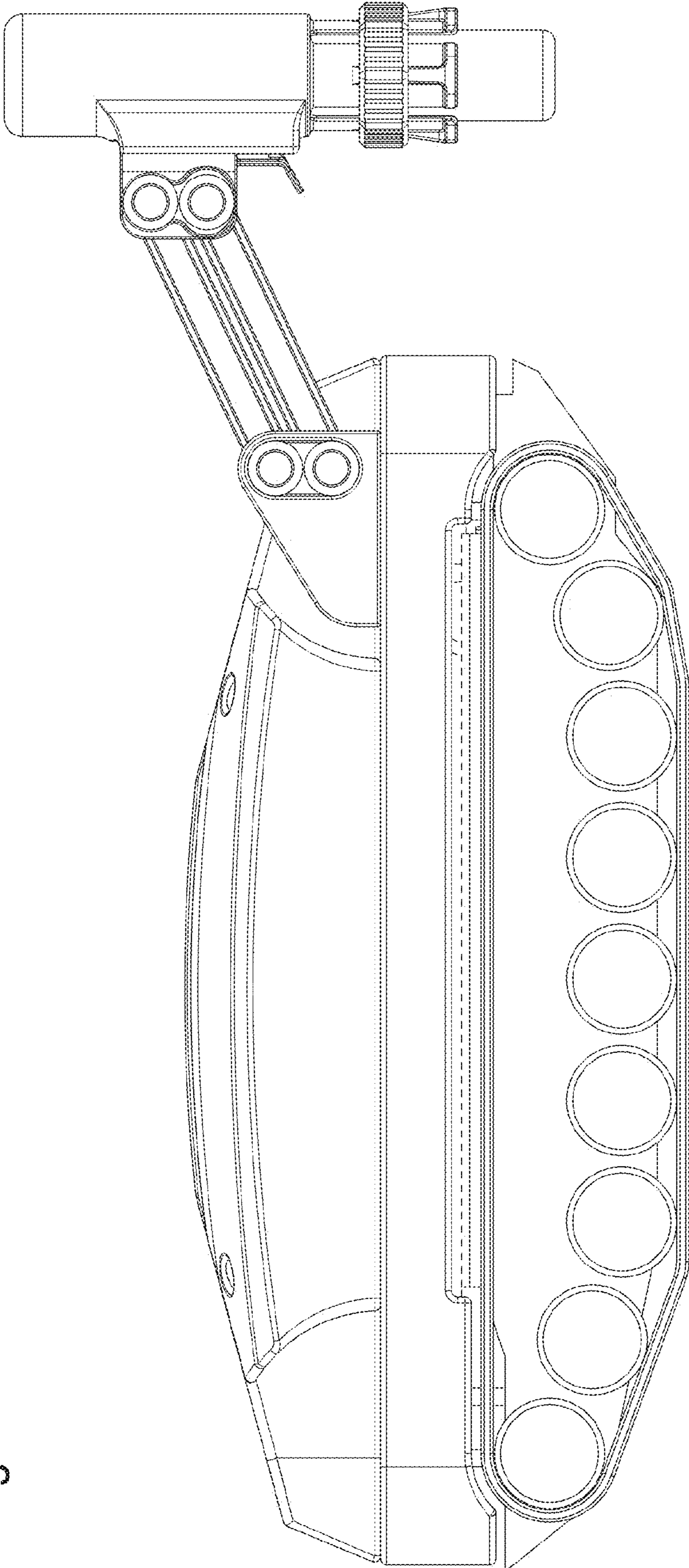


Fig. 2

Fig. 3

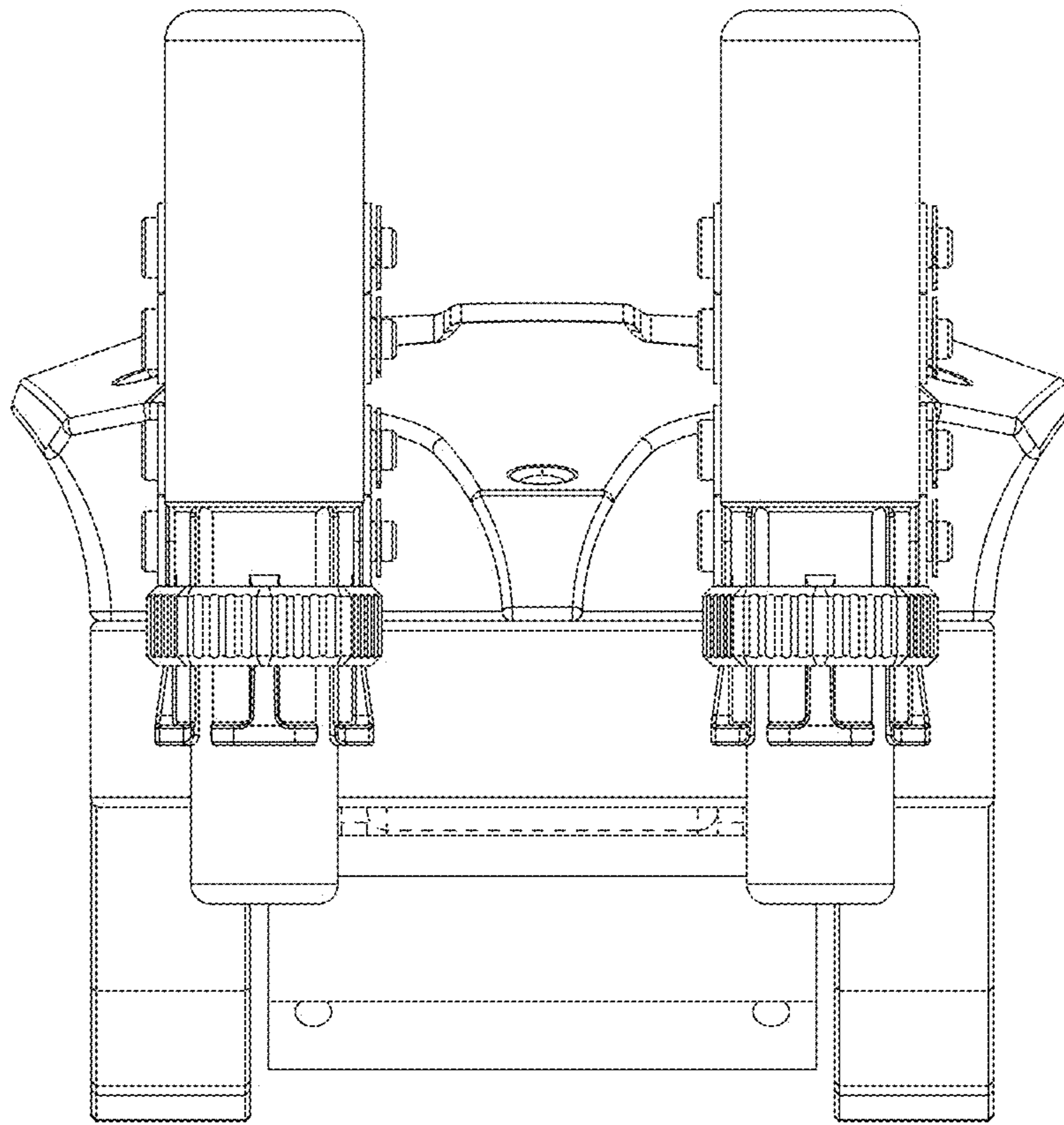


Fig. 4

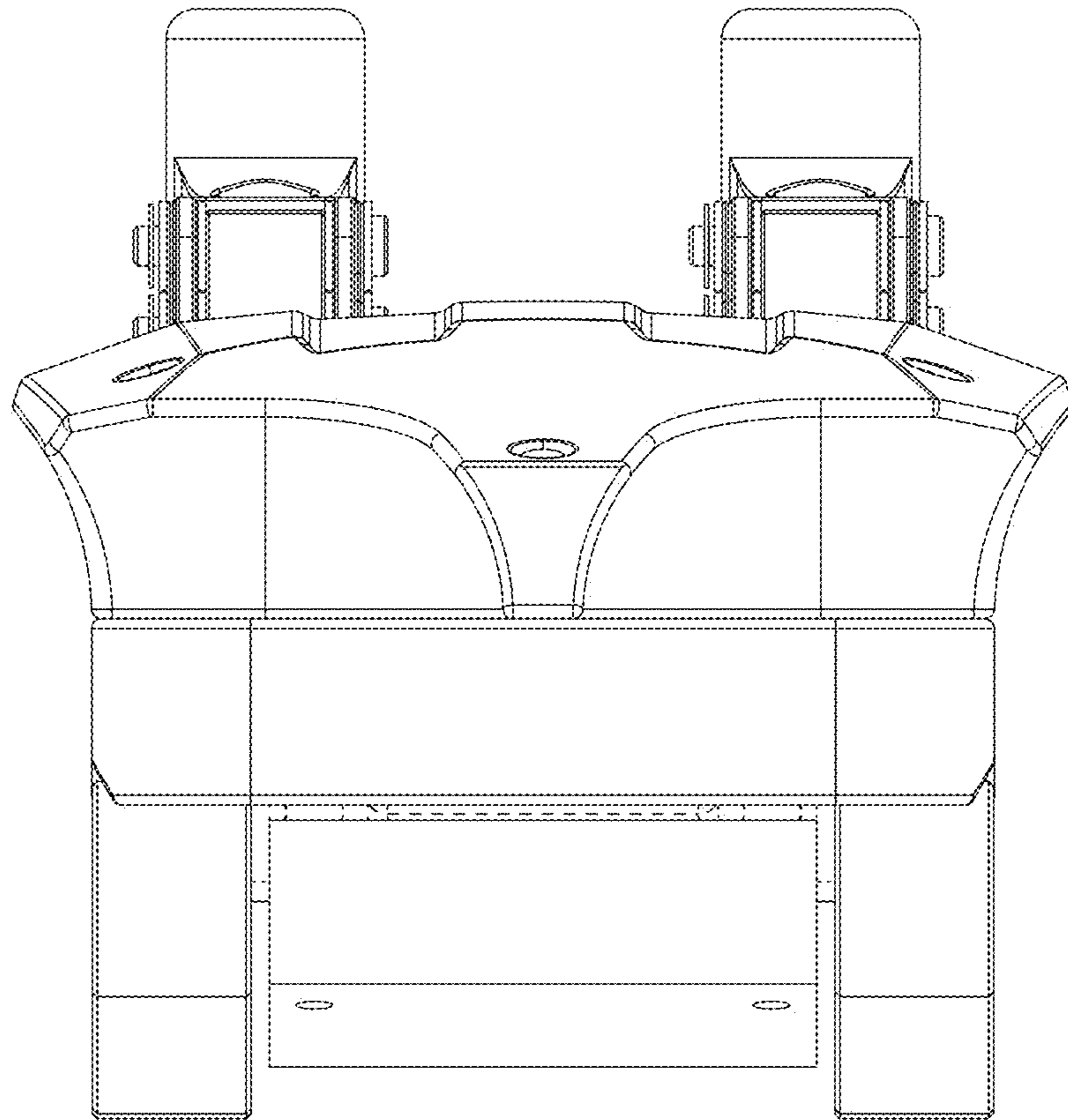
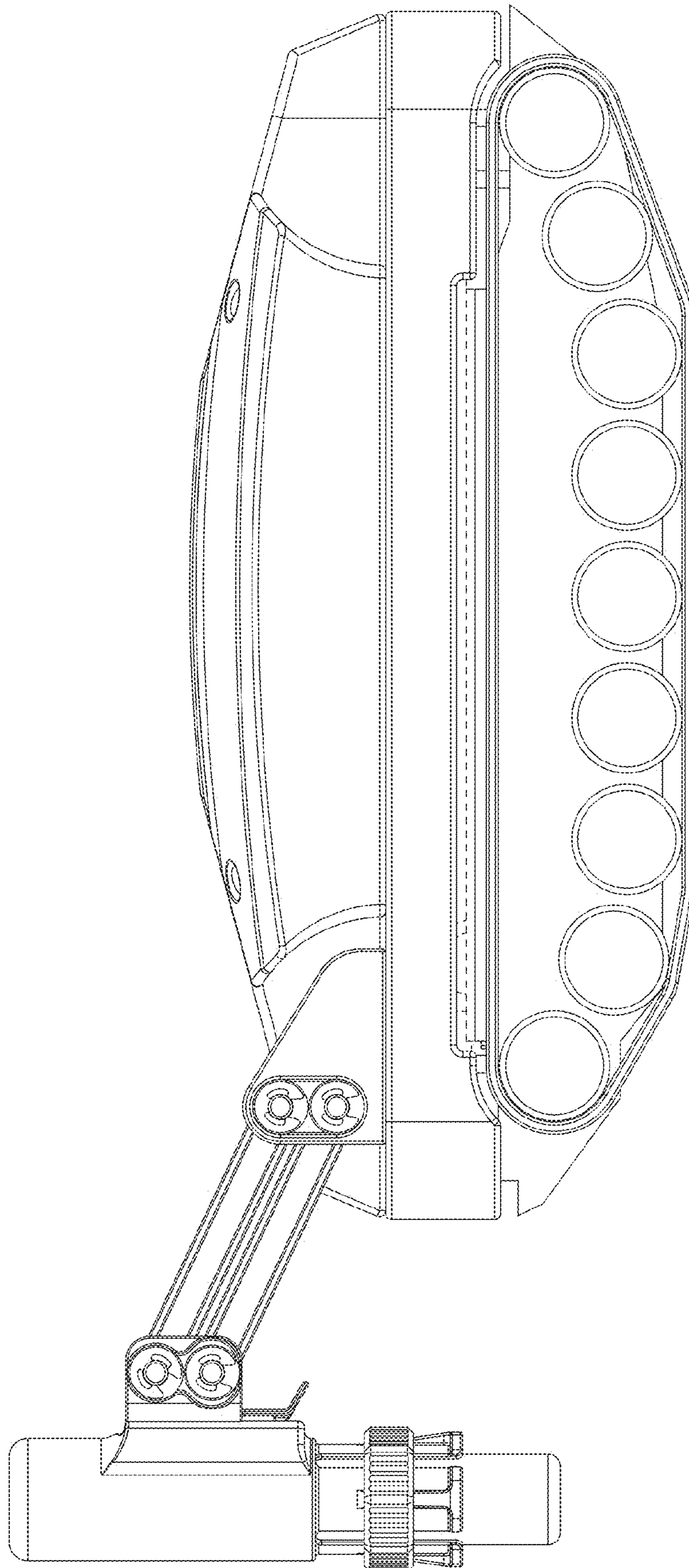


Fig. 5



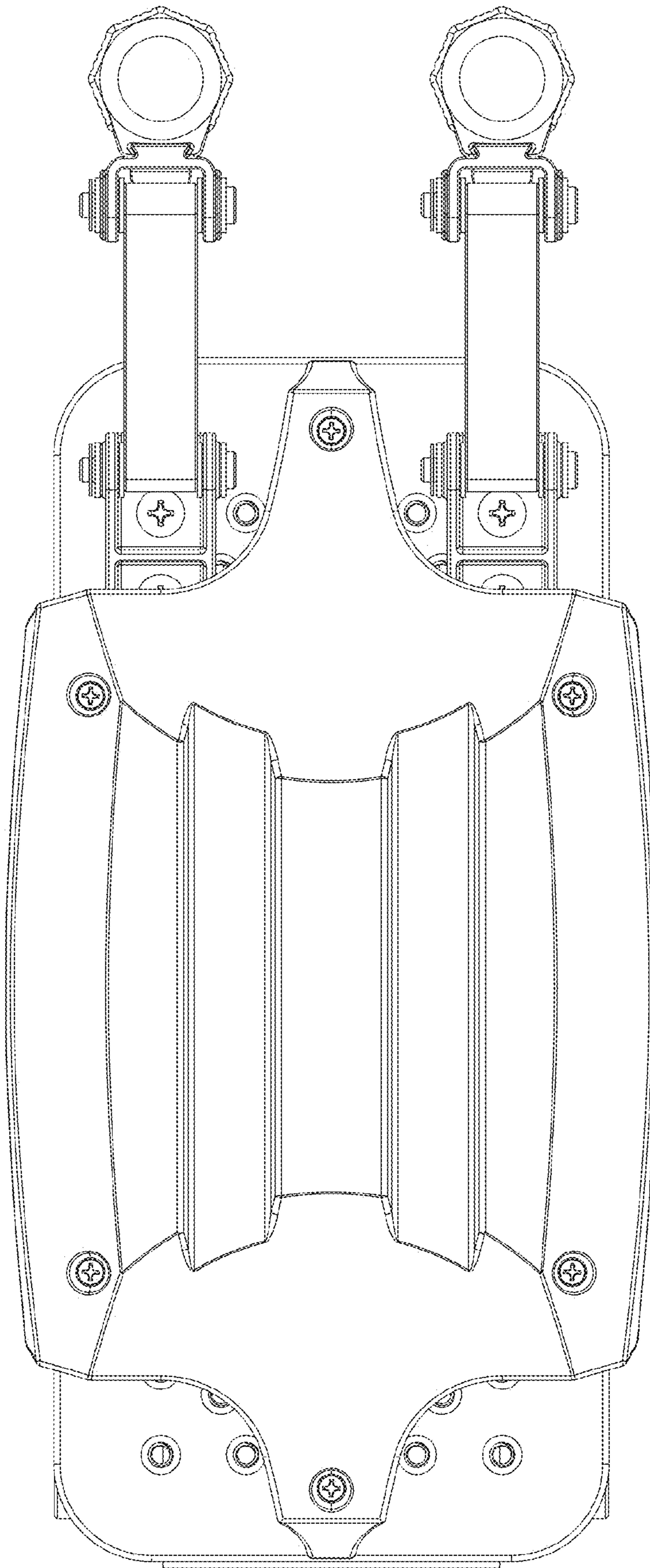


Fig. 6

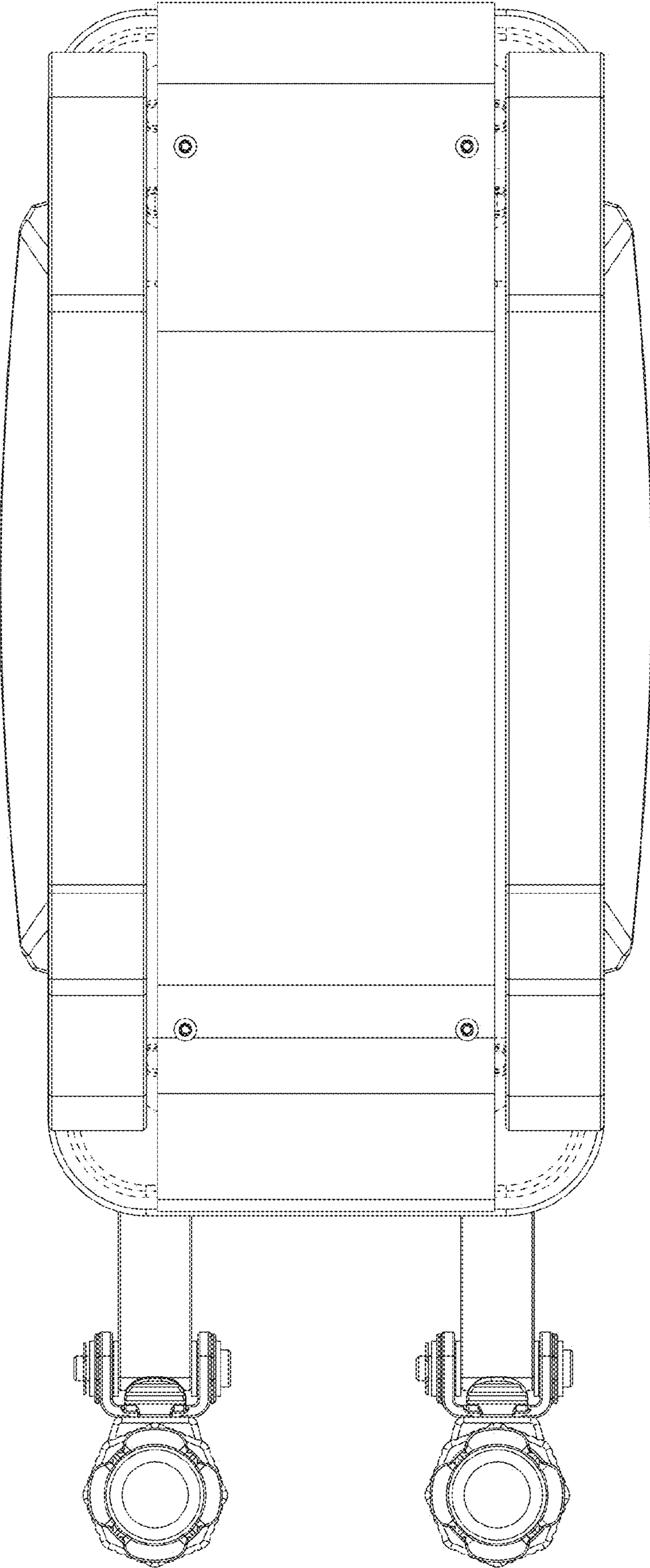


Fig. 7