



US00D955501S

(12) **United States Design Patent** (10) **Patent No.:** **US D955,501 S**  
**Hwang et al.** (45) **Date of Patent:** **\*\* \*Jun. 21, 2022**

(54) **CONSTRUCTION SET ELEMENT**

- (71) Applicant: **LEGO A/S**, Billund (DK)
- (72) Inventors: **Byeongjun Hwang**, Ansan-si (KR);  
**Kyoungebae Na**, Suwon-si (KR)
- (73) Assignee: **LEGO A/S**, Billund (DK)
- (\*) Notice: This patent is subject to a terminal disclaimer.
- (\*\*) Term: **15 Years**
- (21) Appl. No.: **29/693,295**
- (22) Filed: **May 31, 2019**
- (51) **LOC (13) Cl.** ..... **21-01**
- (52) **U.S. Cl.**  
USPC ..... **D21/487**
- (58) **Field of Classification Search**  
USPC ..... D21/484-505  
CPC .... A63H 33/04; A63H 33/044; A63H 33/062;  
A63H 33/06; A63H 33/065; A63H 33/08;  
A63H 33/088; A63H 33/10; A63H  
33/101; A63H 33/102; A63H 33/108  
See application file for complete search history.

(56) **References Cited**

**U.S. PATENT DOCUMENTS**

D276,830 S *	12/1984	Petersson	.....	D21/487
D281,440 S *	11/1985	Petersson	.....	D21/487
D373,153 S *	8/1996	Madsen	.....	D21/487
6,899,588 B1 *	5/2005	Clever	.....	A63H 33/084 446/120
7,942,717 B2 *	5/2011	Chou	.....	G06T 19/20 446/91
D706,877 S *	6/2014	Norman	.....	D21/487
D711,972 S *	8/2014	Norman	.....	D21/487
D711,973 S *	8/2014	Norman	.....	D21/487
D715,871 S *	10/2014	Norman	.....	D21/487
2006/0276100 A1 *	12/2006	Glickman	.....	A63H 33/101 446/118
2007/0123137 A1 *	5/2007	Marzetta	.....	A63H 33/105 446/120
2012/0210546 A1 *	8/2012	Jang	.....	A63H 33/101 24/615

**OTHER PUBLICATIONS**

- Bricklink, "Technic, Pin with Friction Ridges Lengthwise WITH Center Slots, Item No. 2780", (Admitted Prior Art), (Undated). URL: <https://www.bricklink.com/v2/catalogitem.page?p=2780#T=C>.
- Bricklink, "Technic, Pin 3L with Friction Ridges Lengthwise, Item No. 6558", (Admitted Prior Art), (Undated). URL: <https://www.bricklink.com/v2/catalog/catalogitem.page?P=6558#T=C>.
- Bricklink, "Technic, Axle 3 with Stop, Item No. 24316", (Admitted Prior Art), (Undated). URL: <https://www.bricklink.com/v2/catalog/catalogitem.page?P=24316#T=C>.
- Bricklink, "Technic, Pin 3L with Friction Ridges Lengthwise and Stop Bush", (Admitted Prior Art), (Undated). URL: <https://www.bricklink.com/v2/catalog/catalogitem.page?P=32054&name=Technic,%20Pin%203L%20with%20Friction%20Ridges%20Lengthwise%20and%20Stop%20Bush&category=%5BTechnic,%20Pin%5D#T=C>.

\* cited by examiner

*Primary Examiner* — Cynthia M. Chin  
(74) *Attorney, Agent, or Firm* — Day Pitney LLP;  
Anthony A. Kassas

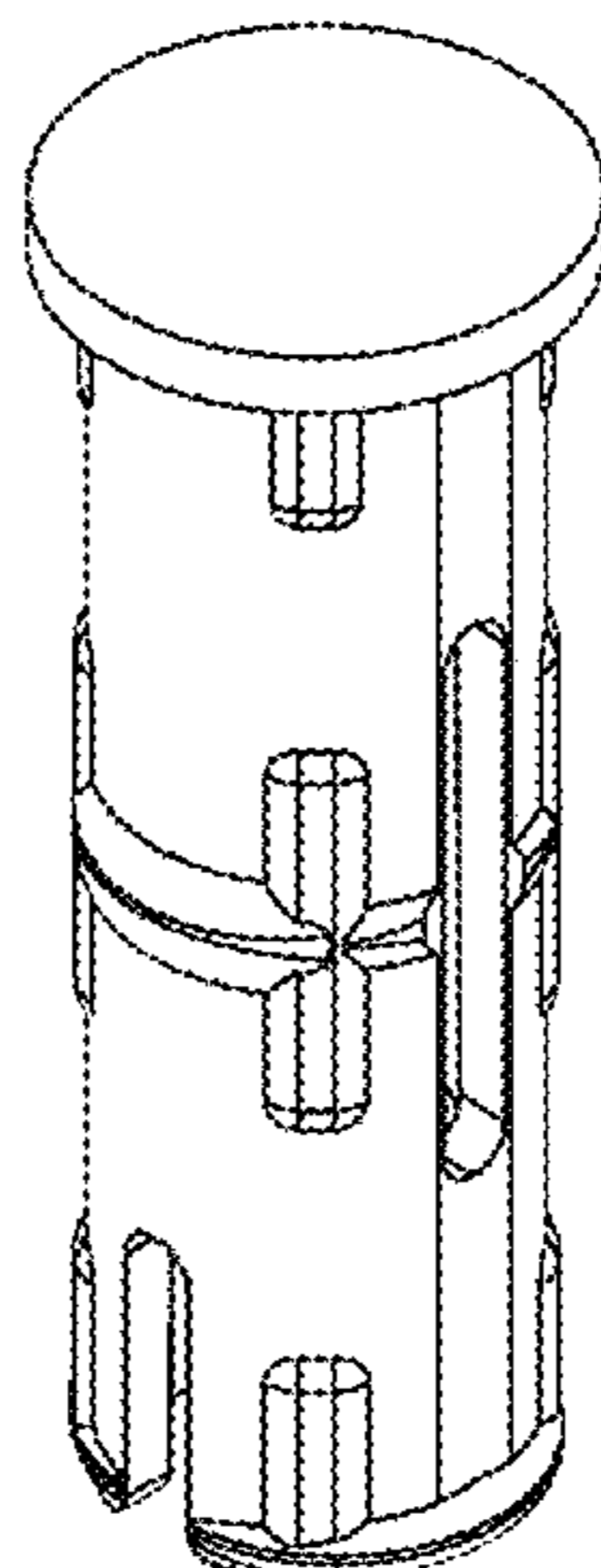
(57) **CLAIM**

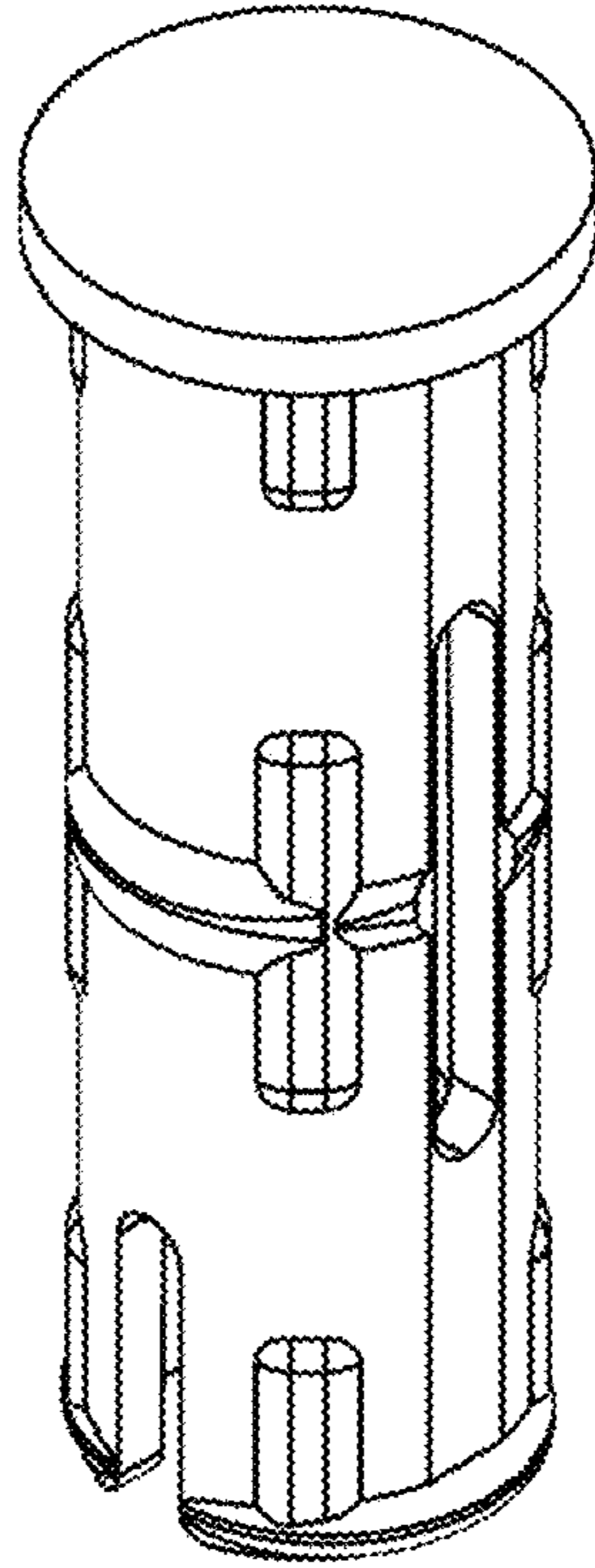
We claim the ornamental design for a construction set element, as shown and described.

**DESCRIPTION**

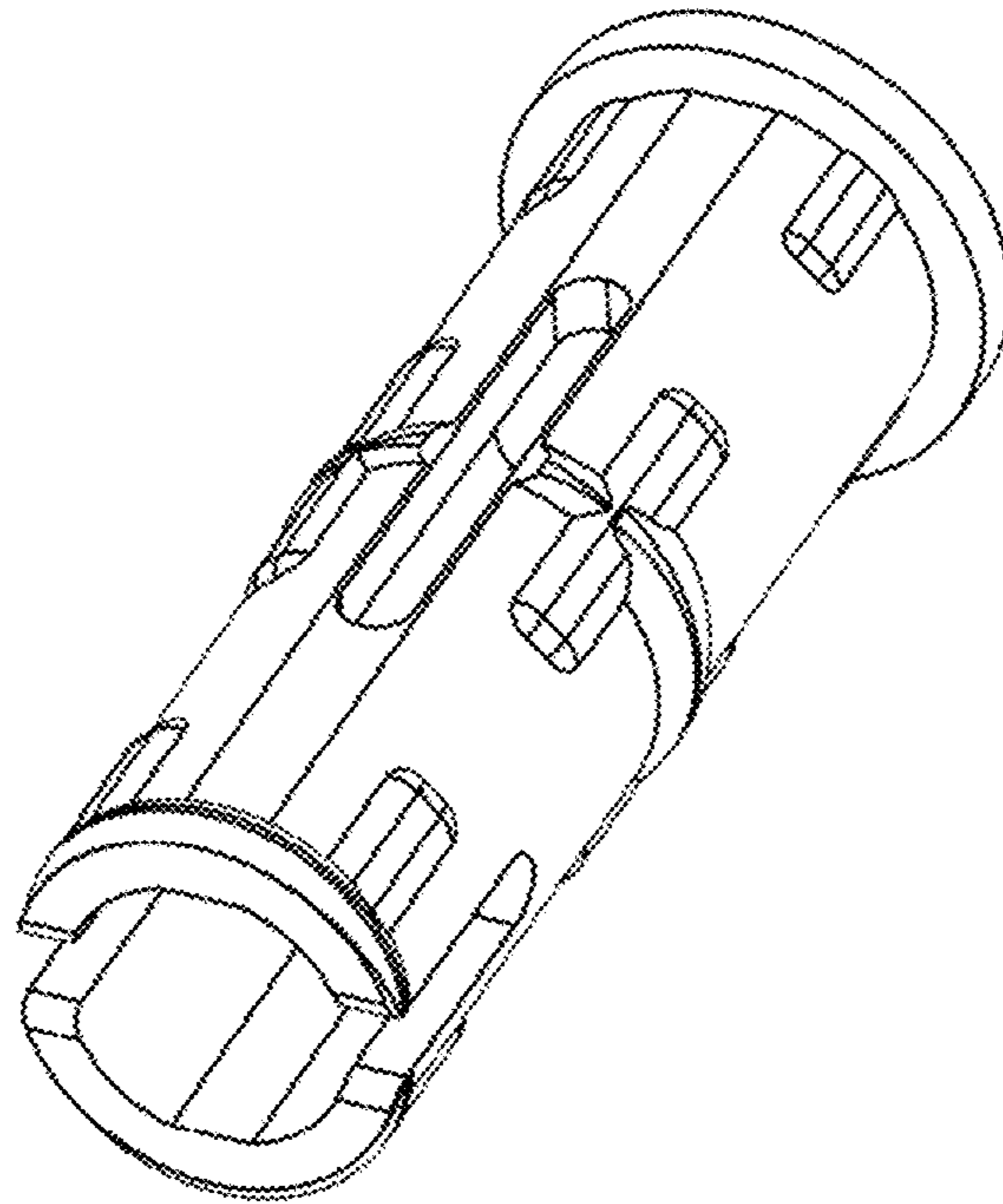
FIG. 1 is a top perspective view of a construction set element, showing our new design;  
FIG. 2 is a bottom perspective view thereof;  
FIG. 3 is a front elevational view thereof;  
FIG. 4 is a rear elevational view thereof;  
FIG. 5 is a left side elevational view thereof;  
FIG. 6 is a right side elevational view thereof;  
FIG. 7 is an enlarged top plan view thereof; and,  
FIG. 8 is an enlarged bottom plan view thereof.

**1 Claim, 4 Drawing Sheets**

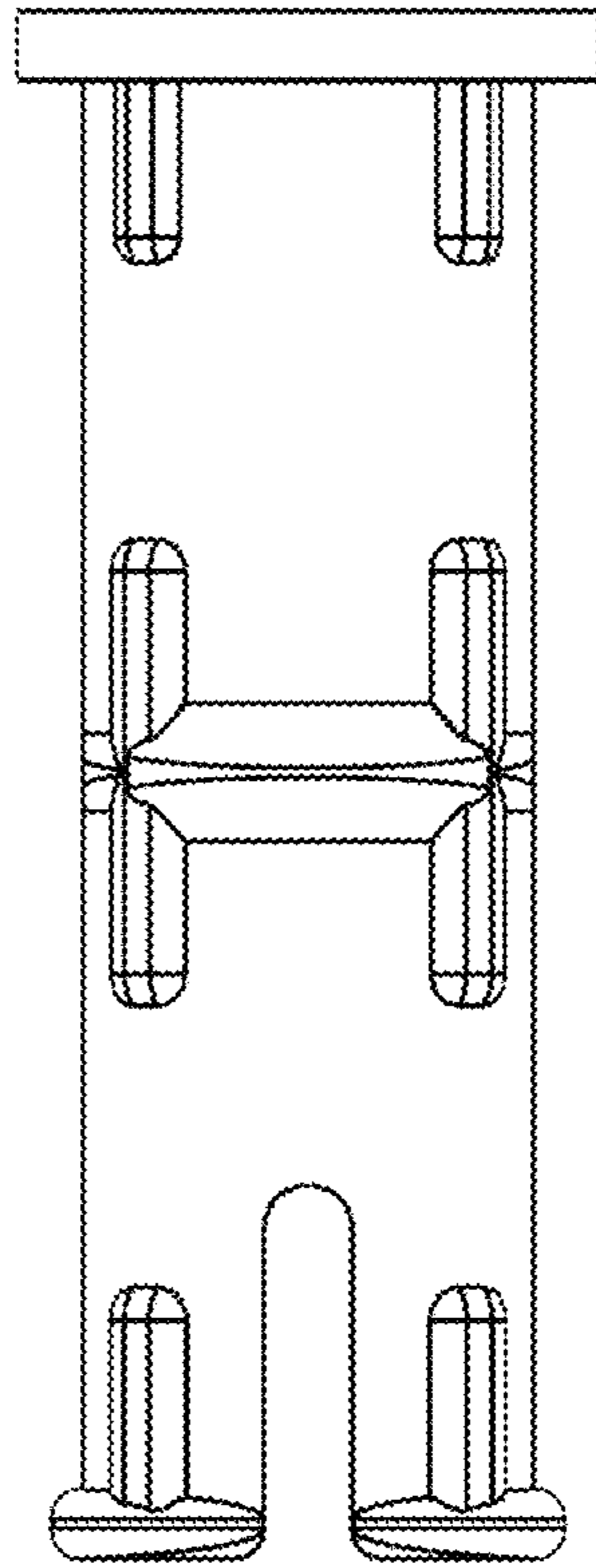




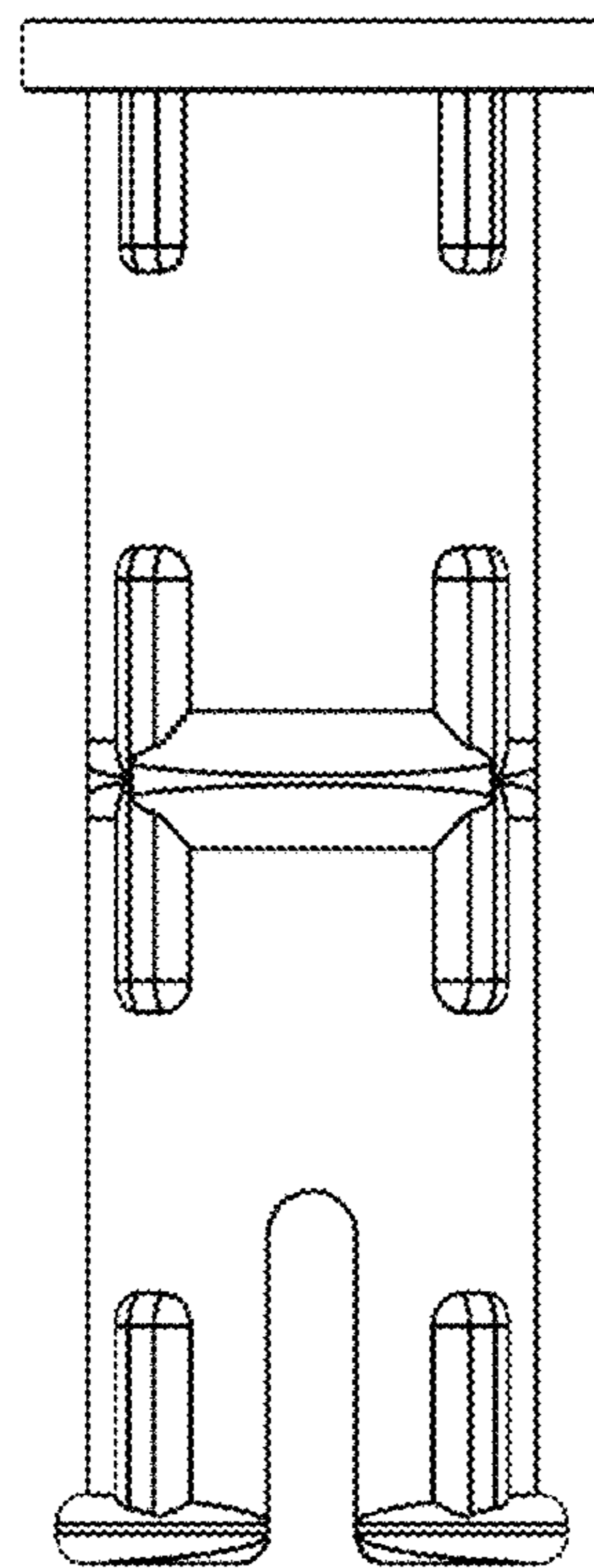
**FIG. 1**



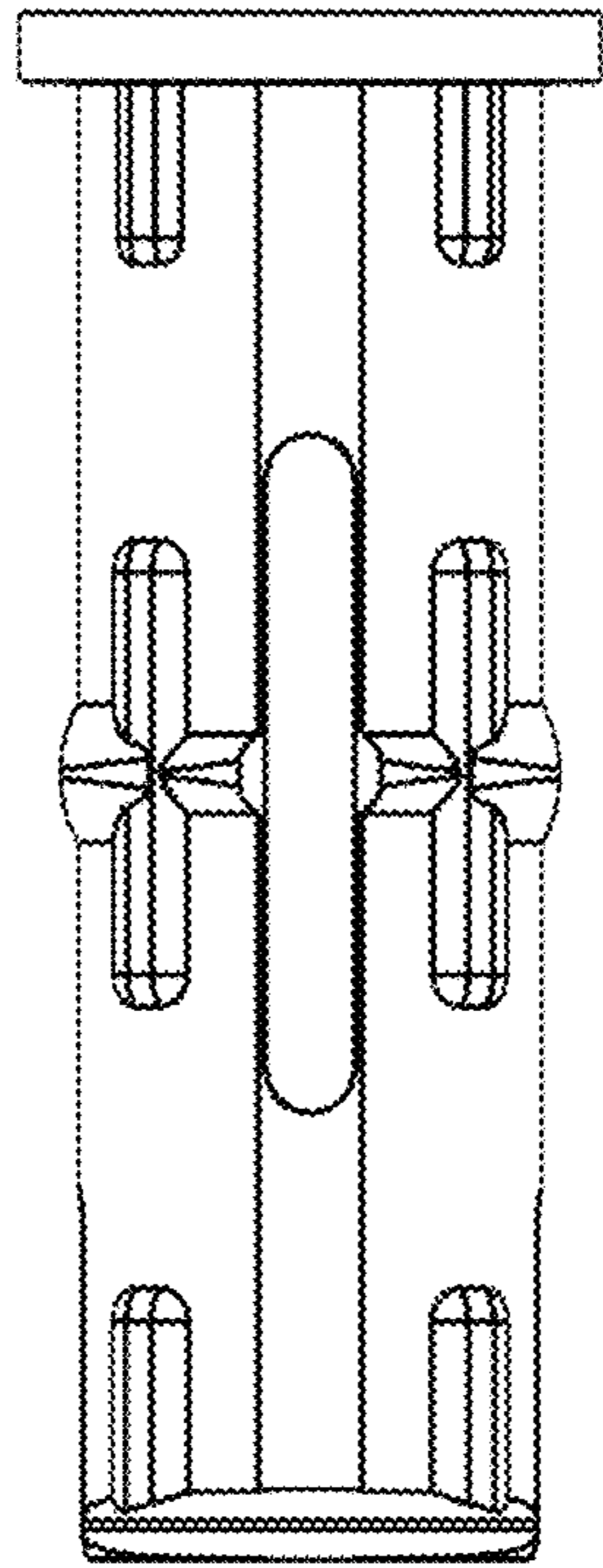
**FIG. 2**



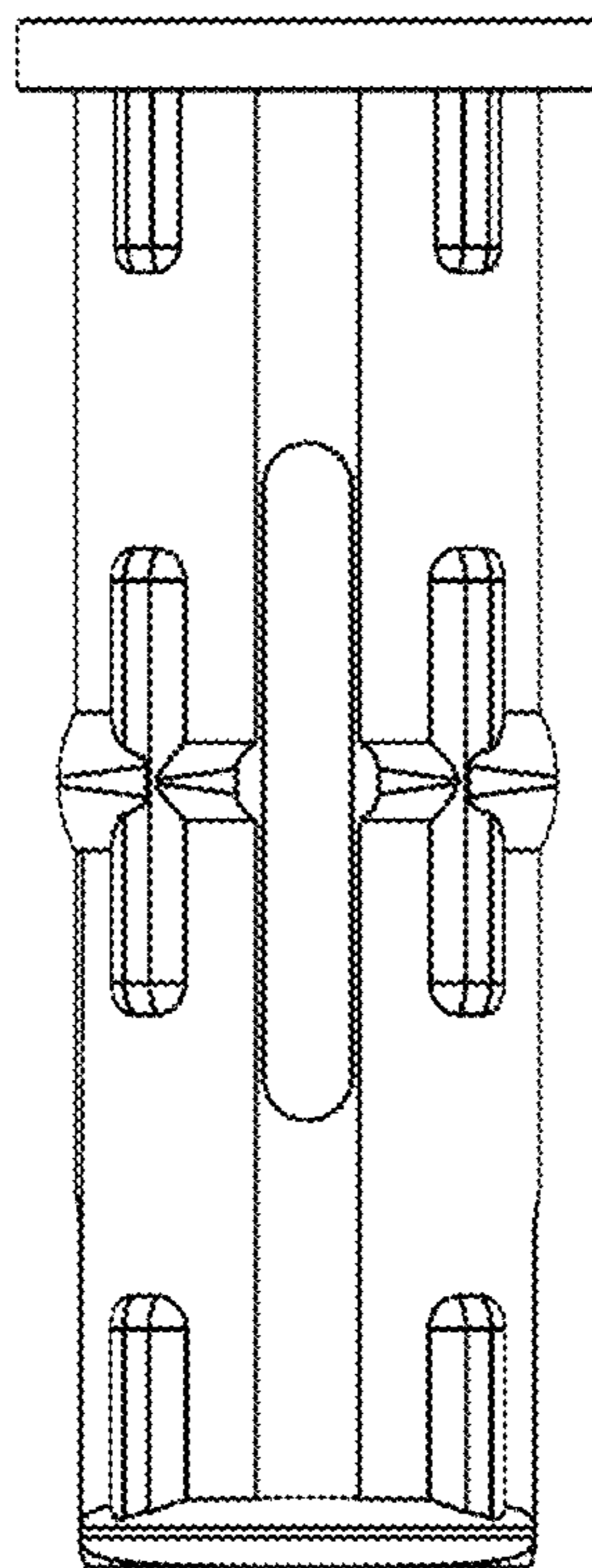
**FIG. 3**



**FIG. 4**

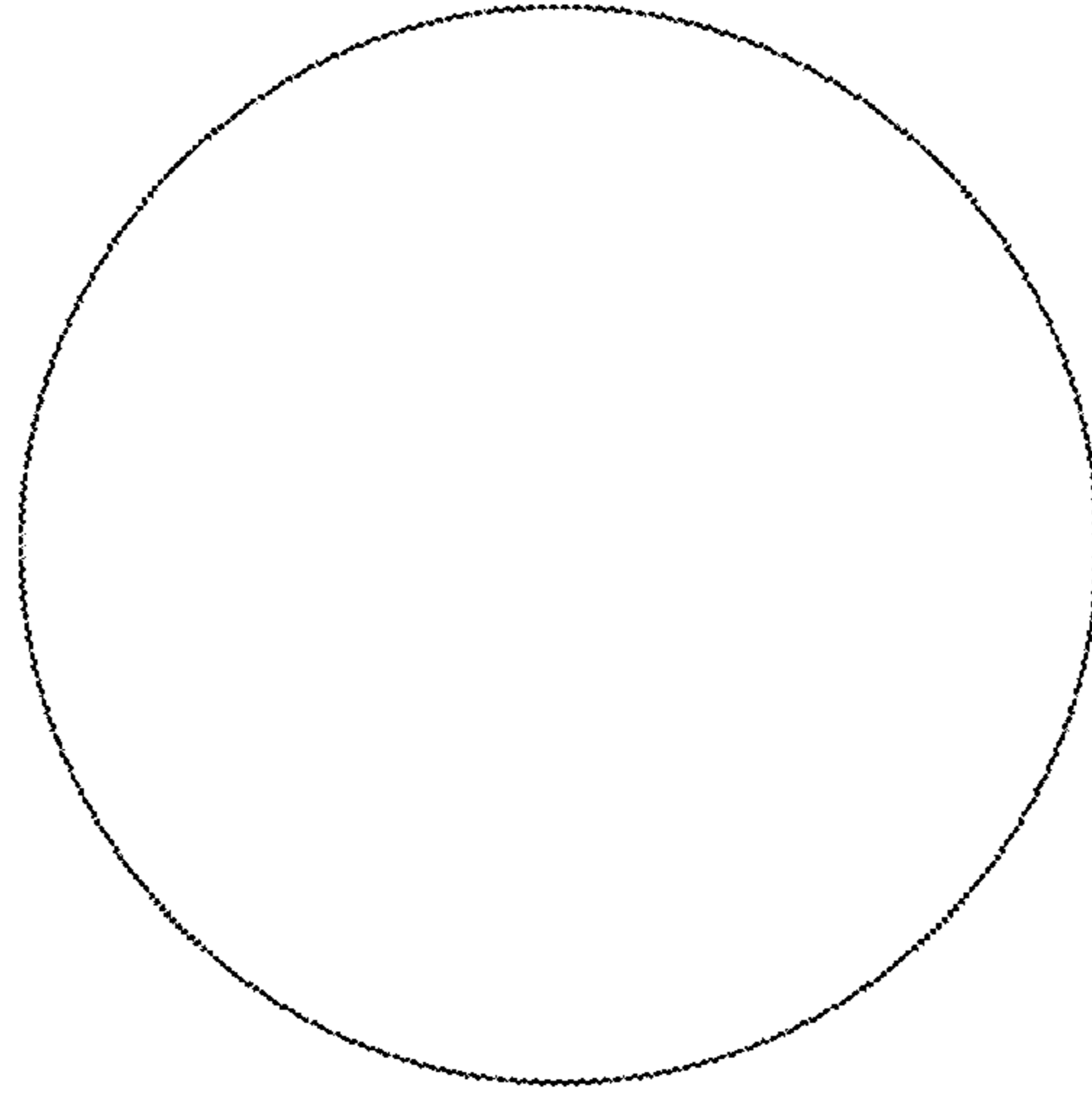


**FIG. 5**

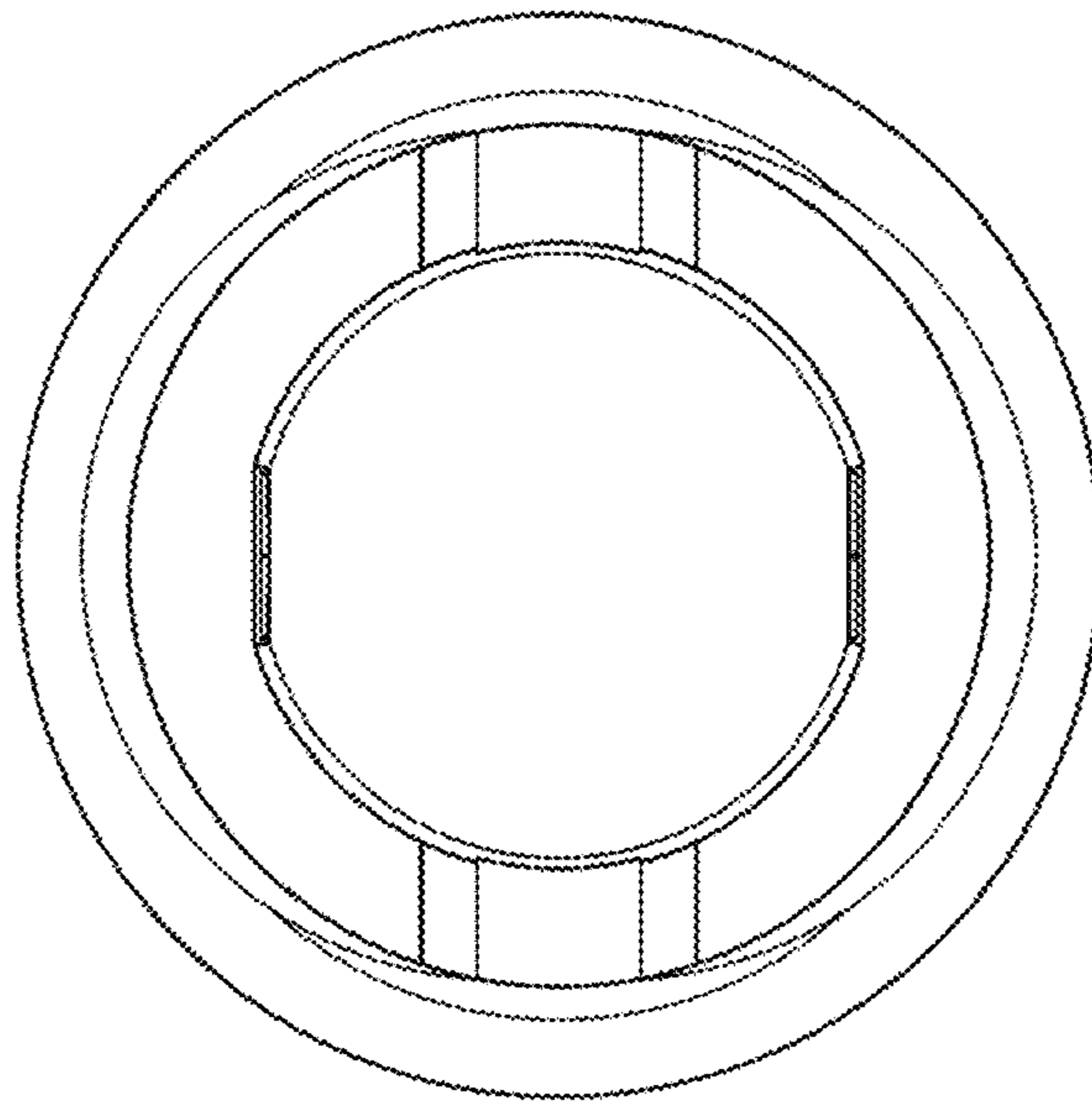


**FIG. 6**





**FIG. 7**



**FIG. 8**