



US00D955499S

(12) **United States Design Patent** (10) **Patent No.:** **US D955,499 S**
Li (45) **Date of Patent:** **** Jun. 21, 2022**

(54) **GAME BOARD**

(71) Applicant: **Lingchen Li**, Guangdong (CN)

(72) Inventor: **Lingchen Li**, Guangdong (CN)

(73) Assignee: **DONGGUAN YUANSHENG TECHNOLOGY CO., LTD.**, Dongguan (CN)

(**) Term: **15 Years**

(21) Appl. No.: **29/804,271**

(22) Filed: **Aug. 19, 2021**

(30) **Foreign Application Priority Data**

Jul. 16, 2021 (CN) 202130452545.7

(51) **LOC (13) Cl.** **21-01**

(52) **U.S. Cl.**
USPC **D21/468**; D21/350; D21/483

(58) **Field of Classification Search**
USPC D21/334, 338, 341-350, 377, 398, D21/405-408, 438, 468, 473-476, 483, D21/485, 490, 525, 627, 684; D1/1-199; D3/207, 208, 211; D6/583, 588, 597; D7/506, 551.1, 553.4, 553.5, 556, 571, D7/613, 628, 357, 359, 672, 673, 675, D7/699, 389, 409-411; D9/600, 643; D11/2, 44, 48, 75, 79-81, 133, 157; D15/90, 136; D19/103, 136, 187, 189, D19/95, 97, 59, 60, 62; D23/367; D24/102, 193-195, 200, 211-215; D30/160; D20/29, 37

CPC A63F 3/00; A63F 3/00003; A63F 3/00094; A63F 3/00097; A63F 3/00173; A63F 3/0023; A63F 3/00261; A63F 3/00574; A63F 3/0415; A63F 3/06; A63F 3/062; A63F 3/0625; A63F 2003/00258; A63F 2003/00394; A63F 2003/00397; A63F 2003/004; A63F 2003/00492; A63F 2003/00504; A63F 2003/00747; A63F

(Continued)

(56) **References Cited**

U.S. PATENT DOCUMENTS

D216,659 S * 2/1970 Lofgren D20/37
D242,055 S * 10/1976 Brown 273/270

(Continued)

FOREIGN PATENT DOCUMENTS

CN 304987144 * 1/2019
CN 304998968 * 1/2019

(Continued)

OTHER PUBLICATIONS

i-FSK Jumbo Pop, Big Size Push Bubbles Pop Fidget Sensory Toy featured on webpage: <<https://www.amazon.com/i-FSK-Bubbles-Sensory-Silicone-Rainbow/dp/B0983BNPFJ?th=1>> and customer review with image dated Aug. 10, 2021 {accessed Apr. 9, 2022} (Year: 2022).*

(Continued)

Primary Examiner — Catherine A Tuttle

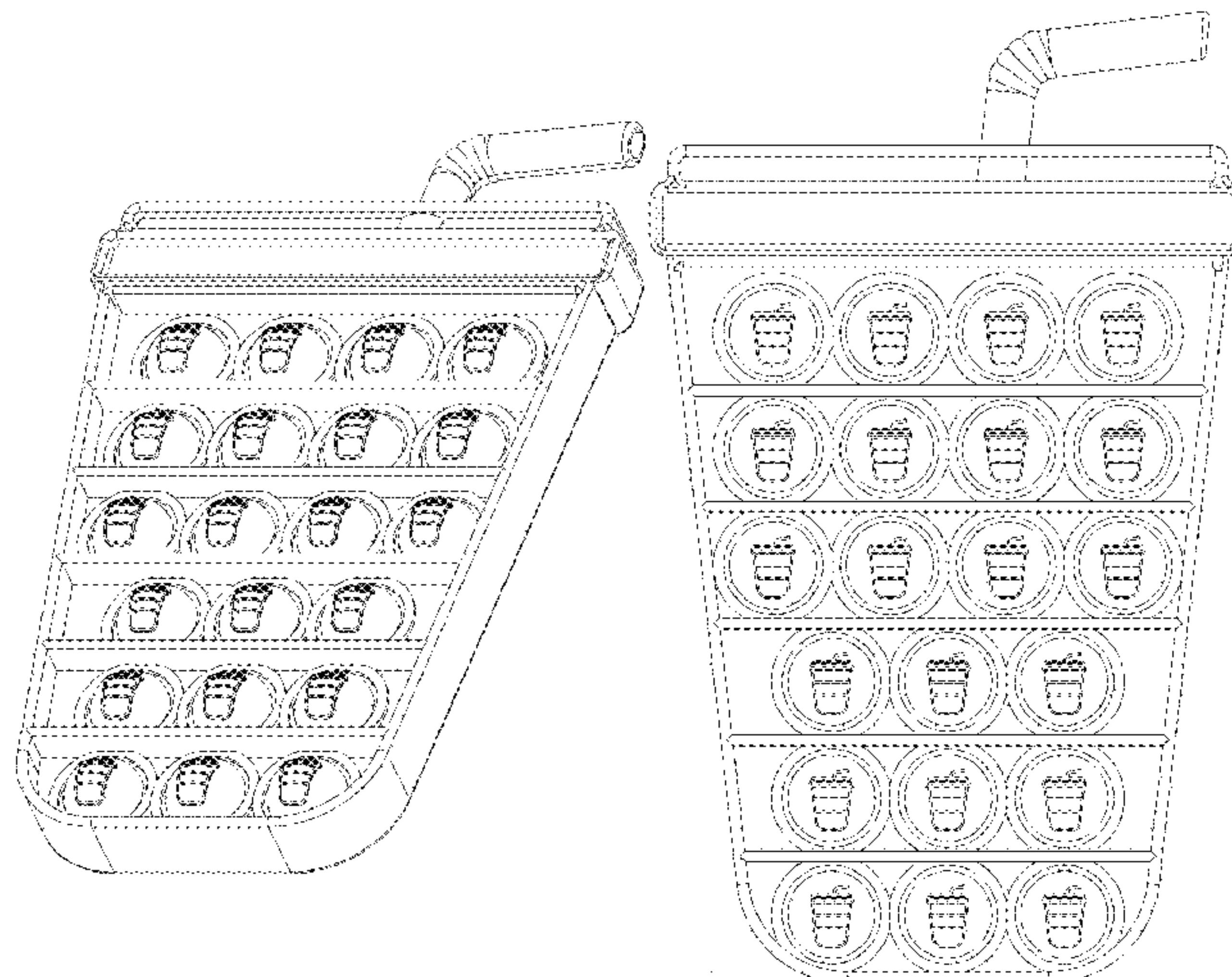
(57) **CLAIM**

The ornamental design for a game board, as shown and described.

DESCRIPTION

FIG. 1 is a bottom, front, and right perspective view of a game board showing my new design; FIG. 2 is a top, rear, and left perspective view thereof; FIG. 3 is a front elevation view thereof; FIG. 4 is a rear elevation view thereof; FIG. 5 is an enlarged left side elevation view thereof; FIG. 6 is an enlarged right side elevation view thereof; FIG. 7 is an enlarged top plan view thereof; and, FIG. 8 is an enlarged bottom plan view thereof.

1 Claim, 6 Drawing Sheets



(58) **Field of Classification Search**

CPC 2003/00794; A63F 2003/00826; A63F 2003/00829; A63F 9/00; A63F 9/0001; A63F 9/001; A63F 9/0073; A63F 9/0093; A63F 9/0098; A63F 9/06; A63F 2250/02; A63F 2250/025; A63F 2250/18; A63F 2250/54; A63F 3/00176; A63F 3/00214; A63F 3/00697; A63F 3/0695; A63H 33/00; A63H 33/001; A63H 33/30; A63H 33/3055; A63H 33/32; A63H 33/42; A63H 3/003; A63H 3/04; A63H 3/14; A63H 3/26; A63H 5/00; G09B 1/00; G09B 1/204; G09B 1/06; G09B 1/26; A61J 17/00; A61J 17/001; A61J 17/02; A61J 17/109; A61J 17/111; A61J 17/1111

See application file for complete search history.

D717,879	S	11/2014	Shade	
D915,522	S *	4/2021	Rees	D21/360
D920,436	S *	5/2021	Yu	D21/350
D921,118	S *	6/2021	Yu	D21/350
D924,336	S	7/2021	Yu	
D924,980	S *	7/2021	Yu	D21/341
D939,635	S *	12/2021	Chen	D21/468
D947,953	S *	4/2022	Cui	D21/468
2016/0030853	A1 *	2/2016	Bartels	A63H 33/04 446/92

FOREIGN PATENT DOCUMENTS

CN	306581108	*	6/2021	
DE	10339285	B3 *	11/2004 A63F 3/00697
EM	008463848-0006	*	3/2021	
EM	008505606-0001	*	4/2021	
EM	008522569-0001	*	5/2021	
GB	6130917	*	4/2021	

(56)

References Cited

U.S. PATENT DOCUMENTS

D248,412	S *	7/1978	Brown	D21/344
D327,973	S *	7/1992	Copp	D1/101
D362,915	S *	10/1995	Abrams	D24/195
D395,516	S *	6/1998	Fletcher	D24/195
D427,260	S *	6/2000	Burr	D1/120
D438,298	S *	2/2001	McNutt	D23/366
D464,417	S *	10/2002	Nelson	D23/367
D653,069	S *	1/2012	Curtis	D6/588
D660,972	S *	5/2012	Diamond	D24/200

OTHER PUBLICATIONS

HEALTHIFY Push Pop it Fidget Toy featured on webpage: <<https://www.amazon.in/HEALTHIFY-Fidget-Anti-Anxiety-Sensory-Relieve/dp/B098P2N3BB?th=1>> Date First Available: Mar. 23, 2021 [Accessed Apr. 9, 2022] (Year: 2022).*

Mini Push Pop Bubble Fidget Sensory Toy, Mini Fidget Pop Toys Keychain, featured on webpage: <<https://www.amazon.in/Bubble-Fidget-Sensory-Keychain-Anti-Stress/dp/B0948SKW1D>> Date First Available: May 12, 2021 [Accessed Apr. 9, 2022] (Year: 2022).*

* cited by examiner

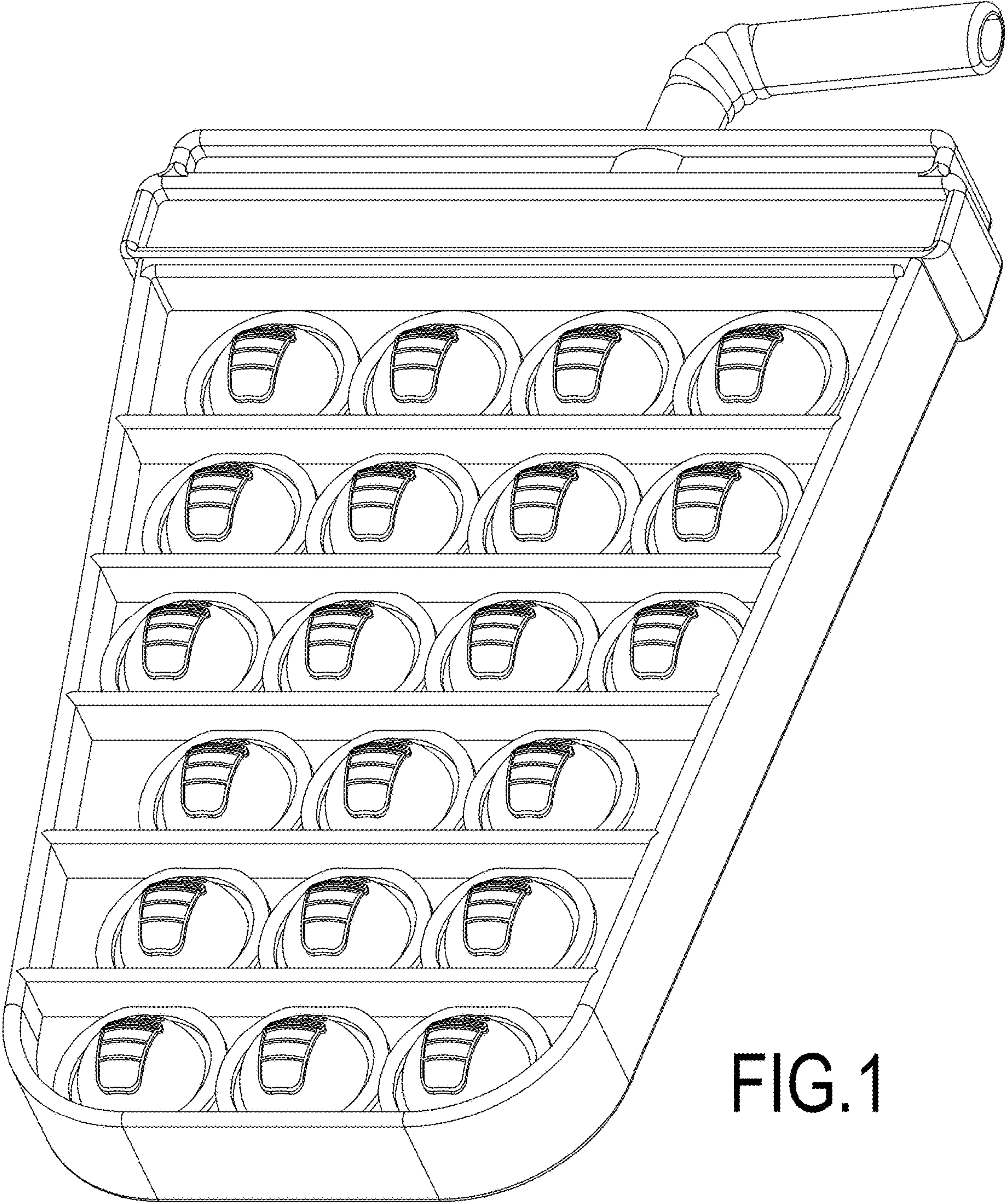


FIG. 1

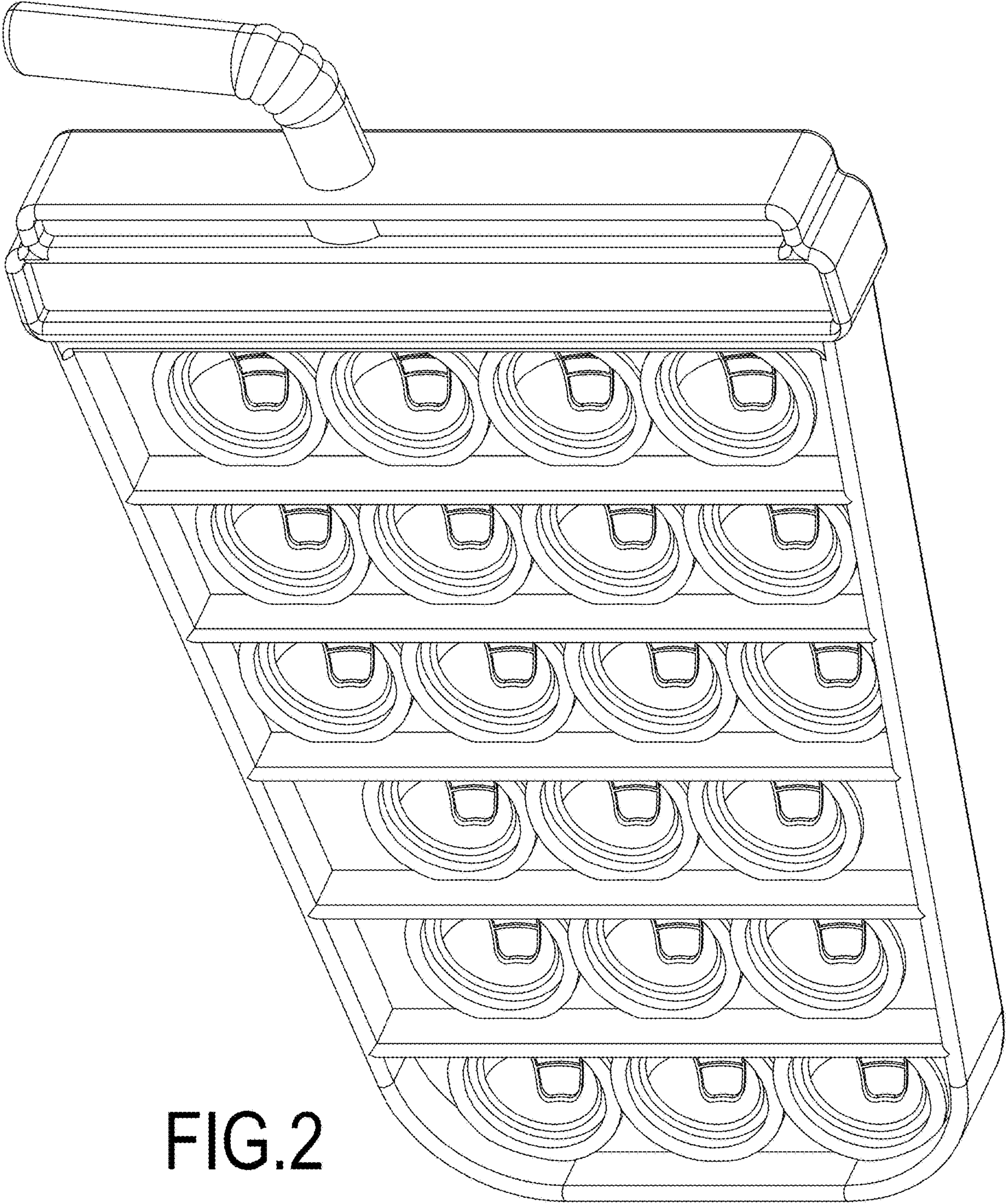


FIG.2

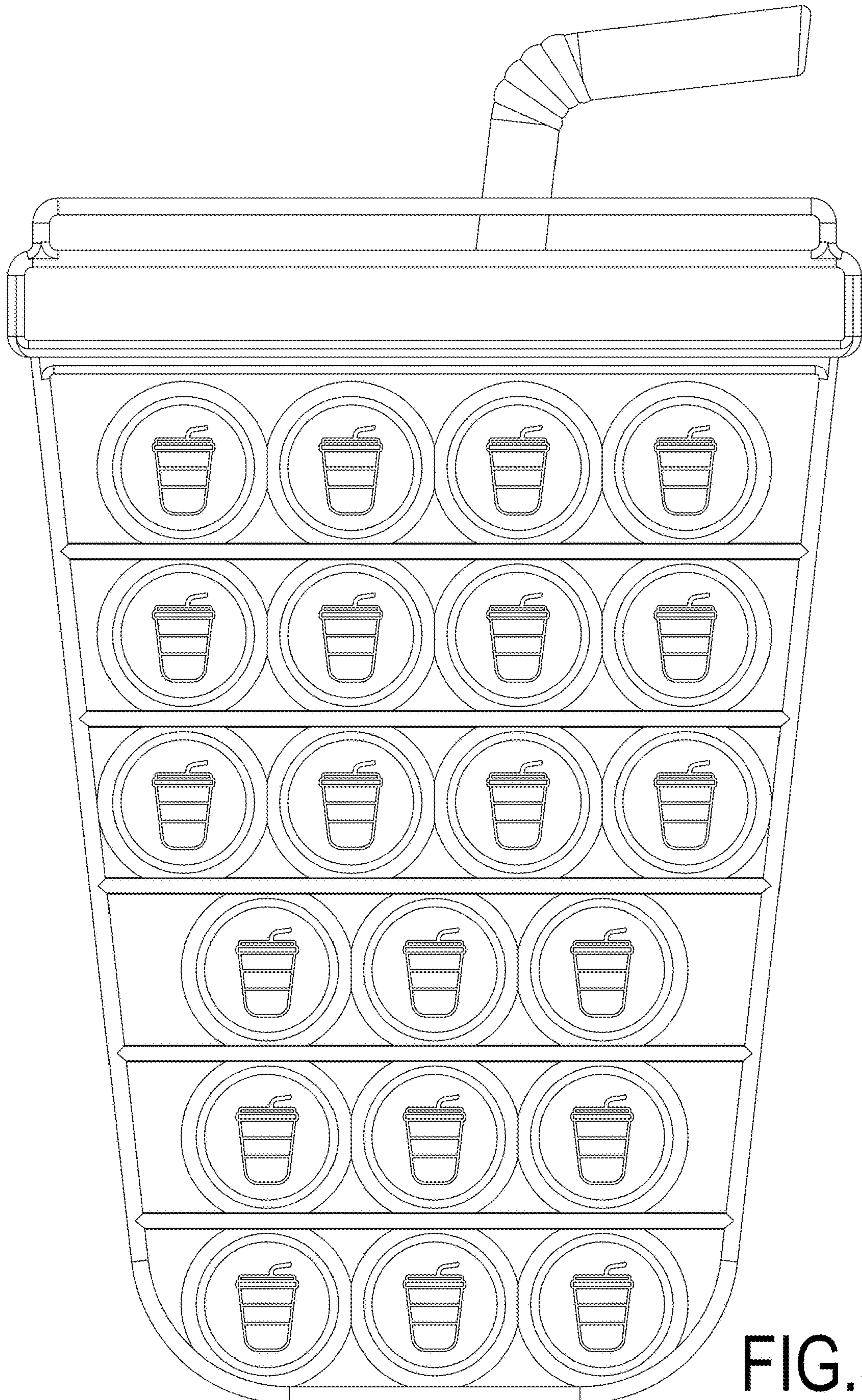


FIG.3

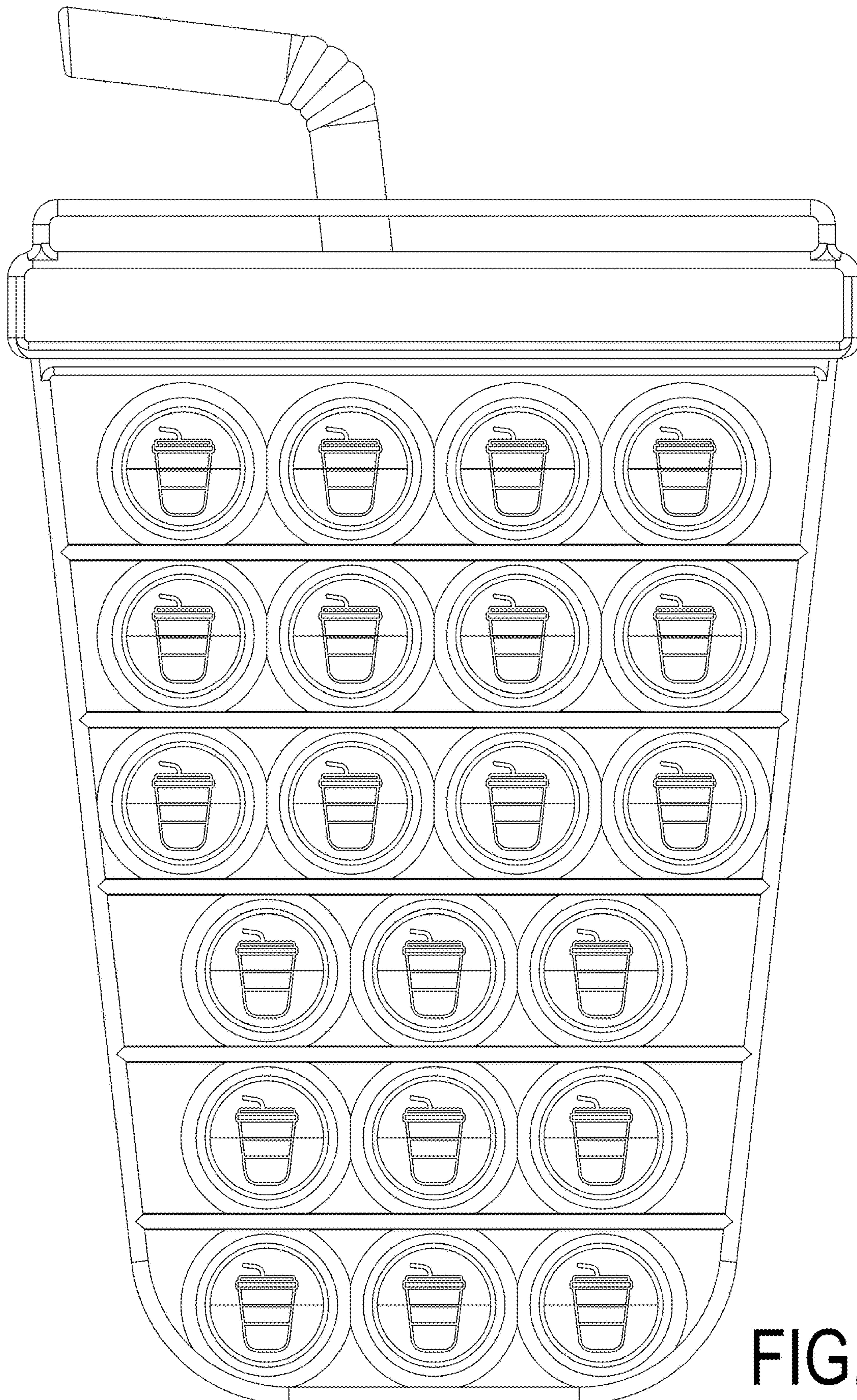


FIG.4

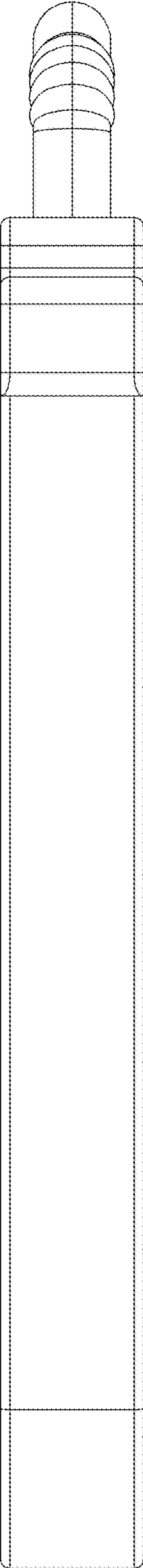


FIG.5

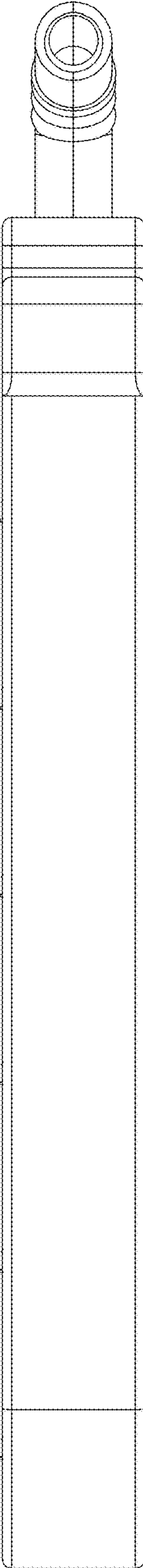


FIG.6

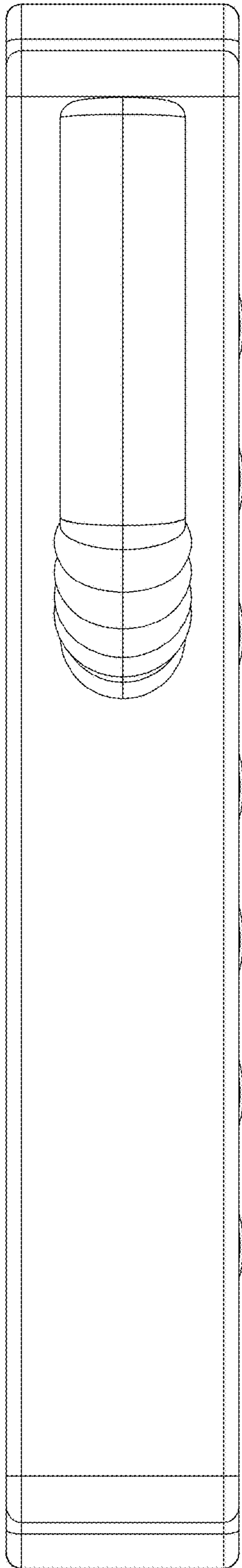


FIG. 7

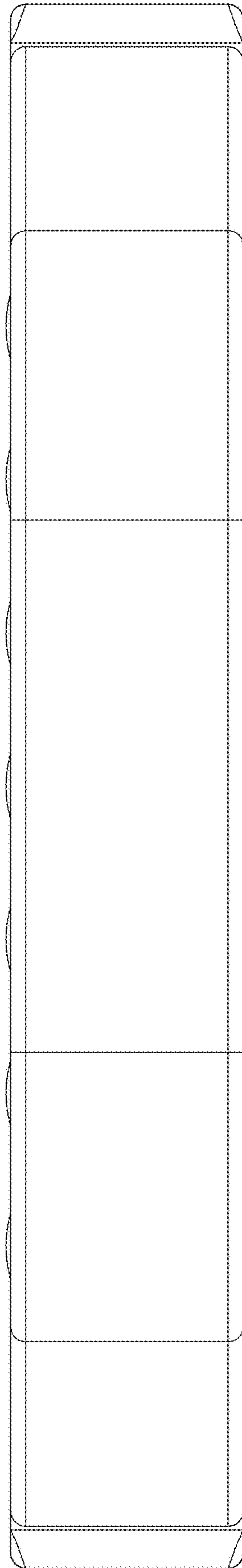


FIG. 8