



US00D955498S

(12) **United States Design Patent**
Lu

(10) **Patent No.:** **US D955,498 S**
(45) **Date of Patent:** **** Jun. 21, 2022**

(54) **PART OF ELECTRIC SCOOTER**
(71) Applicant: **Zhejiang Okai Vehicle Co., Ltd.**,
Lishui (CN)

D922,306 S * 6/2021 Dongfang D12/423
D923,715 S * 6/2021 Wang D21/423
D926,890 S * 8/2021 Lu D21/423
D927,604 S * 8/2021 Han D21/423

(Continued)

(72) Inventor: **Jiangtao Lu**, Lishui (CN)
(73) Assignee: **ZHEJIANG OKAI VEHICLE CO., LTD.**, Lishui (CN)

FOREIGN PATENT DOCUMENTS

CH 716427 A1 * 1/2021 B60L 53/12
CN 304477501 * 1/2018 B62J 50/225

(Continued)

(**) Term: **15 Years**

OTHER PUBLICATIONS

(21) Appl. No.: **29/736,022**
(22) Filed: **May 27, 2020**

Adam Vaccaro, "Those electric scooters like Bird and Lime? They're illegal in Mass." Sep. 18, 2018, bostonglobe.com, site visited Aug. 23, 2021, URL: <https://www.bostonglobe.com/business/2018/09/18/those-electric-scooters-like-bird-and-lime-they-illegal-mass/Mw0V3jpf6DNwUeYKGTNhVM/story.html> (Year: 2018).*

(Continued)

(30) **Foreign Application Priority Data**

Mar. 13, 2020 (CN) 202030084348.X

(51) **LOC (13) Cl.** **21-01**
(52) **U.S. Cl.**
USPC **D21/423**

Primary Examiner — Eric L Goodman
Assistant Examiner — Sarah L Smith

(58) **Field of Classification Search**
USPC D21/419, 421, 423, 760, 765, 771;
D12/1, 8, 107, 110, 112-114
CPC . B62K 3/002; B62K 9/00; B62K 9/02; B62K
2202/00; B62K 13/00; B62K 11/00;
B62K 11/02; B62K 11/06; B62K 11/10;
B62K 15/00; B62K 17/00; B60Y
2200/126; H04W 4/40

(74) *Attorney, Agent, or Firm* — Muncy, Geissler, Olds & Lowe, P.C.

See application file for complete search history.

(57) **CLAIM**

The ornamental design for a part of electric scooter, as shown and described.

DESCRIPTION

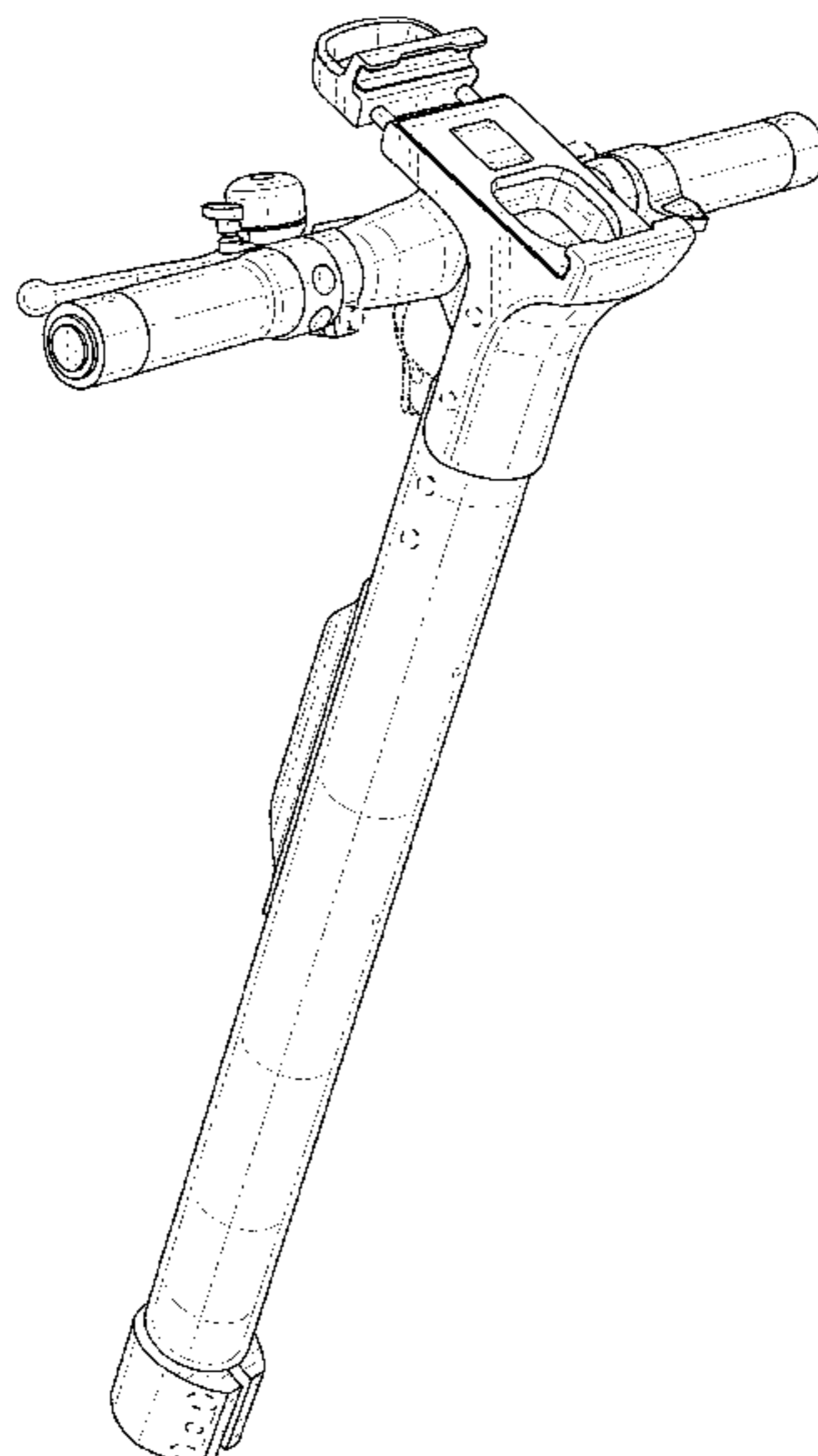
(56) **References Cited**

U.S. PATENT DOCUMENTS

D839,358 S * 1/2019 Cao D21/423
D900,237 S * 10/2020 Lee B62K 3/002
D21/423
D915,524 S * 4/2021 Cao D21/423
D916,985 S * 4/2021 Wu G01C 21/26
D21/423
D918,305 S * 5/2021 Fan D21/423

FIG. 1 is a rear, top, right perspective view of a part of electric scooter showing my new design;
FIG. 2 is a front elevational view thereof;
FIG. 3 is a rear elevational view thereof;
FIG. 4 is a left side elevational view thereof;
FIG. 5 is a right side elevational view thereof;
FIG. 6 is a top plan view thereof; and,
FIG. 7 is a bottom plan view thereof.
The broken lines illustrate portions of the part of electric scooter which form no part of the claimed design.

1 Claim, 7 Drawing Sheets



(56)

References Cited

U.S. PATENT DOCUMENTS

2018/0251183 A1* 9/2018 Meermann B62K 23/02
2019/0367124 A1* 12/2019 Liu B62K 3/002
2020/0124430 A1* 4/2020 Bradlow B62K 3/002
2020/0317287 A1* 10/2020 Kong B62K 15/006
2021/0039642 A1* 2/2021 Nuesch G01C 21/26
2021/0179220 A1* 6/2021 Ottensooser B62H 5/001

FOREIGN PATENT DOCUMENTS

CN 111688848 A * 9/2020 B62K 3/002
EM 007737135-0002 * 3/2020
EP 3738868 A1 * 11/2020 B62J 50/225
WO WO-2019148881 A1 * 8/2019 B62K 3/002

OTHER PUBLICATIONS

Tim Bigglesworth, "The best electric scooter accessories—Autumn 2019," Oct. 4, 2019, scootersdirect.co.uk, site visited Aug. 23, 2021, URL: <https://www.scootersdirect.co.uk/blogs/news/scooter-accessories-autumn-2019> (Year: 2019).*

* cited by examiner

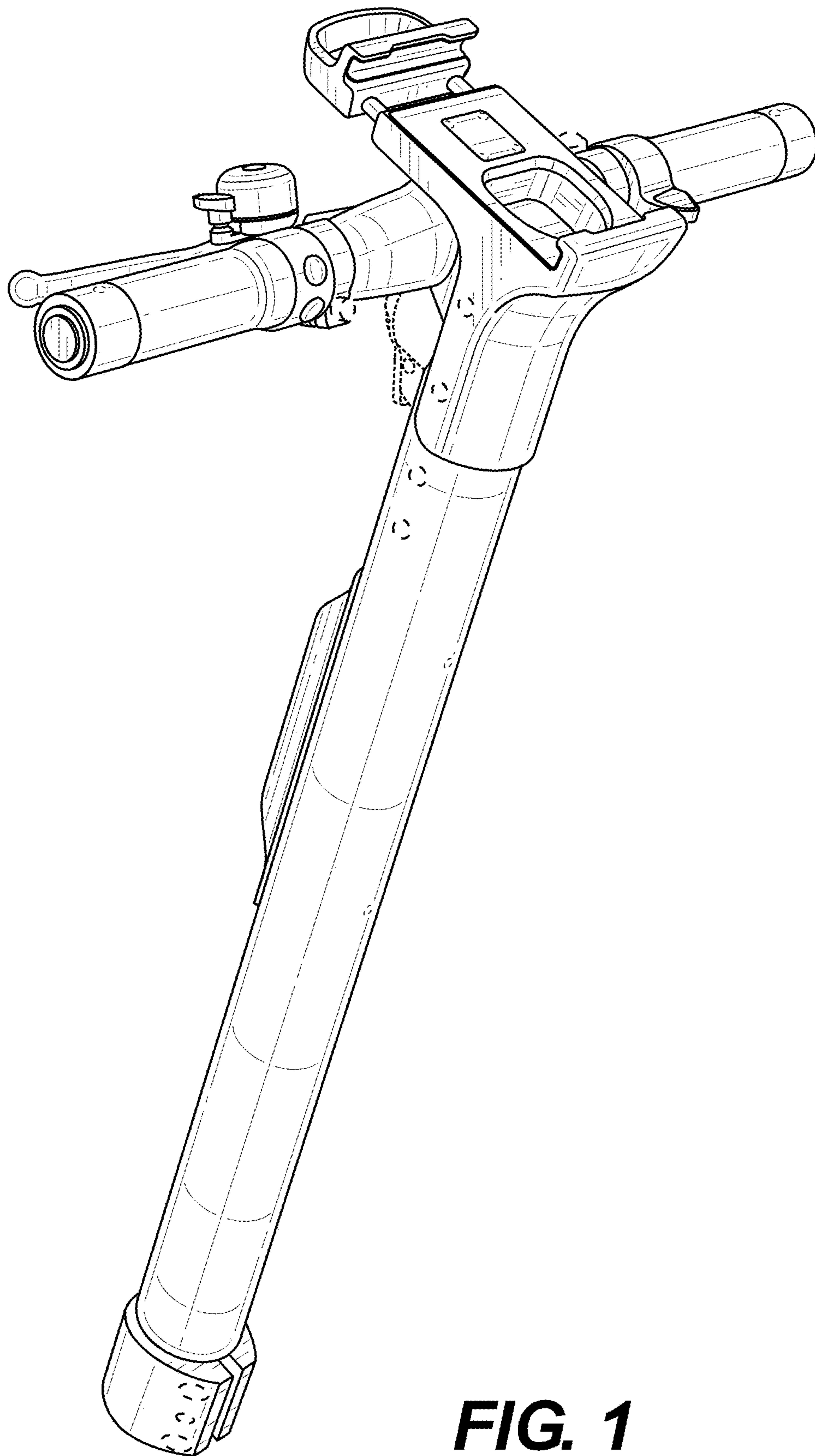


FIG. 1

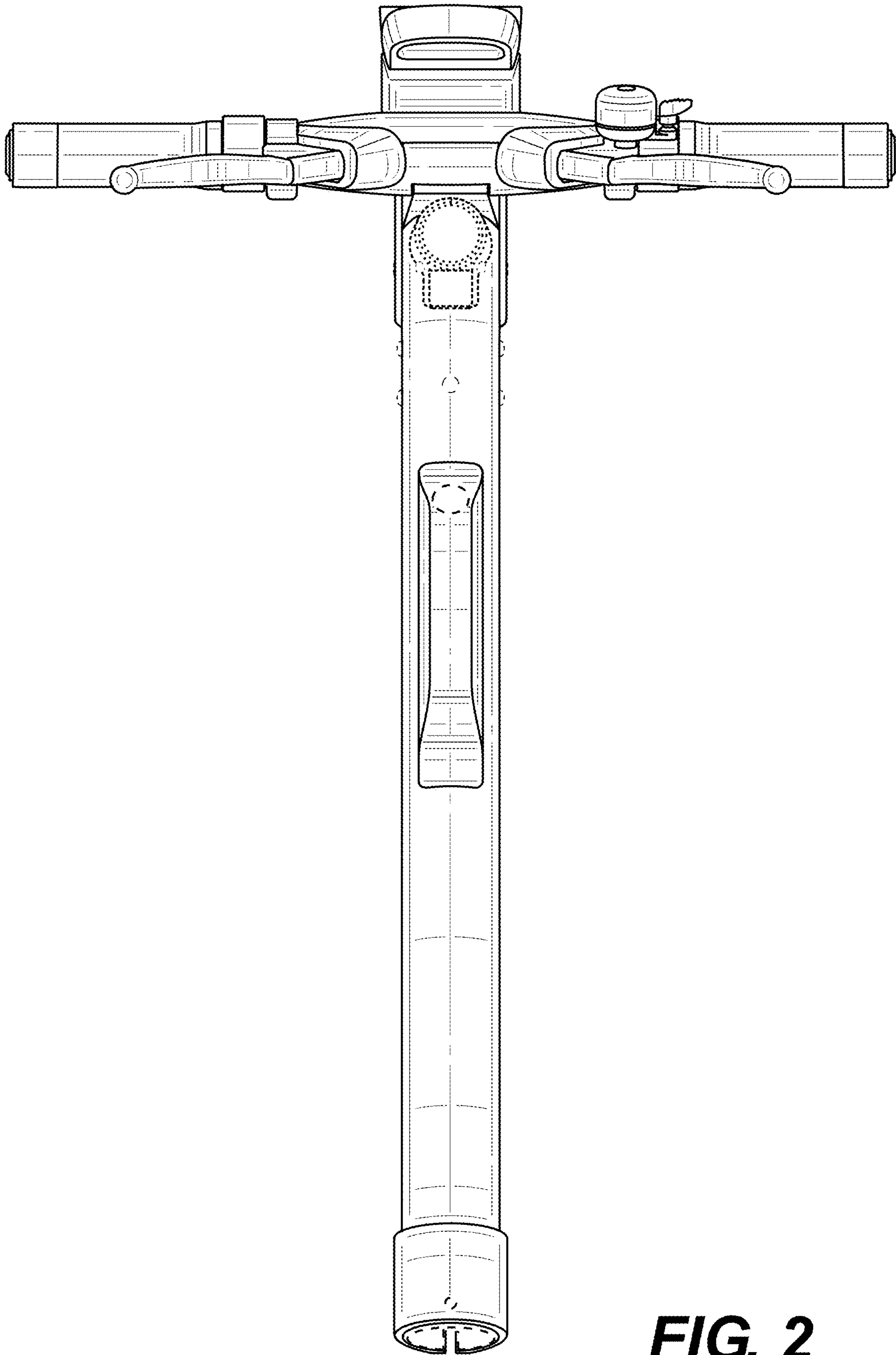


FIG. 2

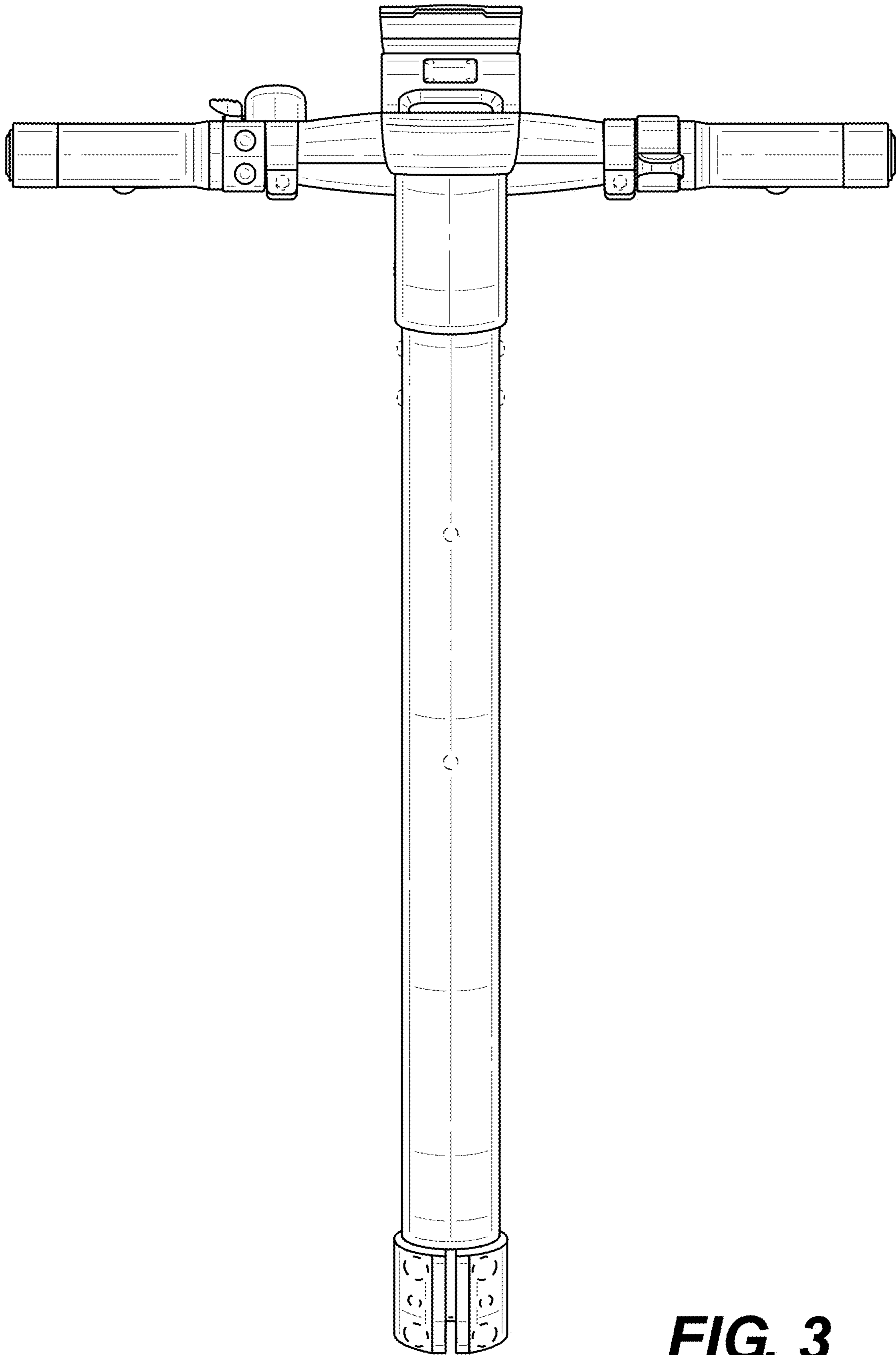


FIG. 3

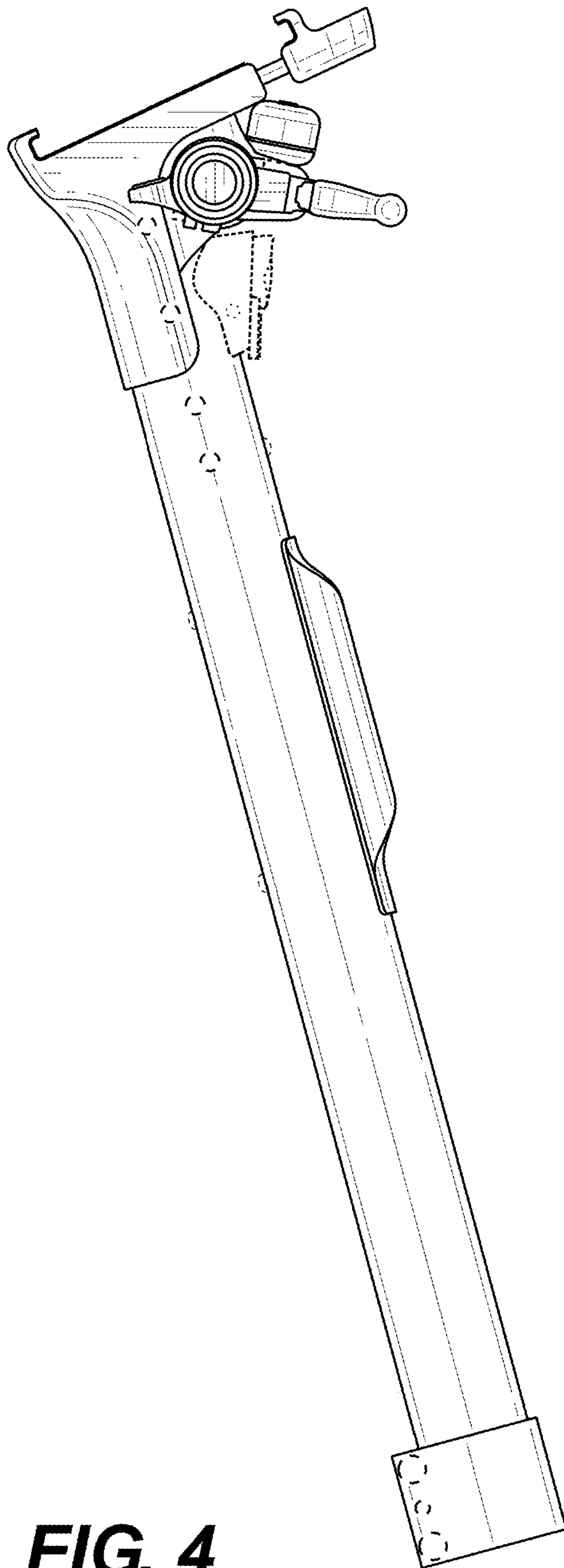


FIG. 4

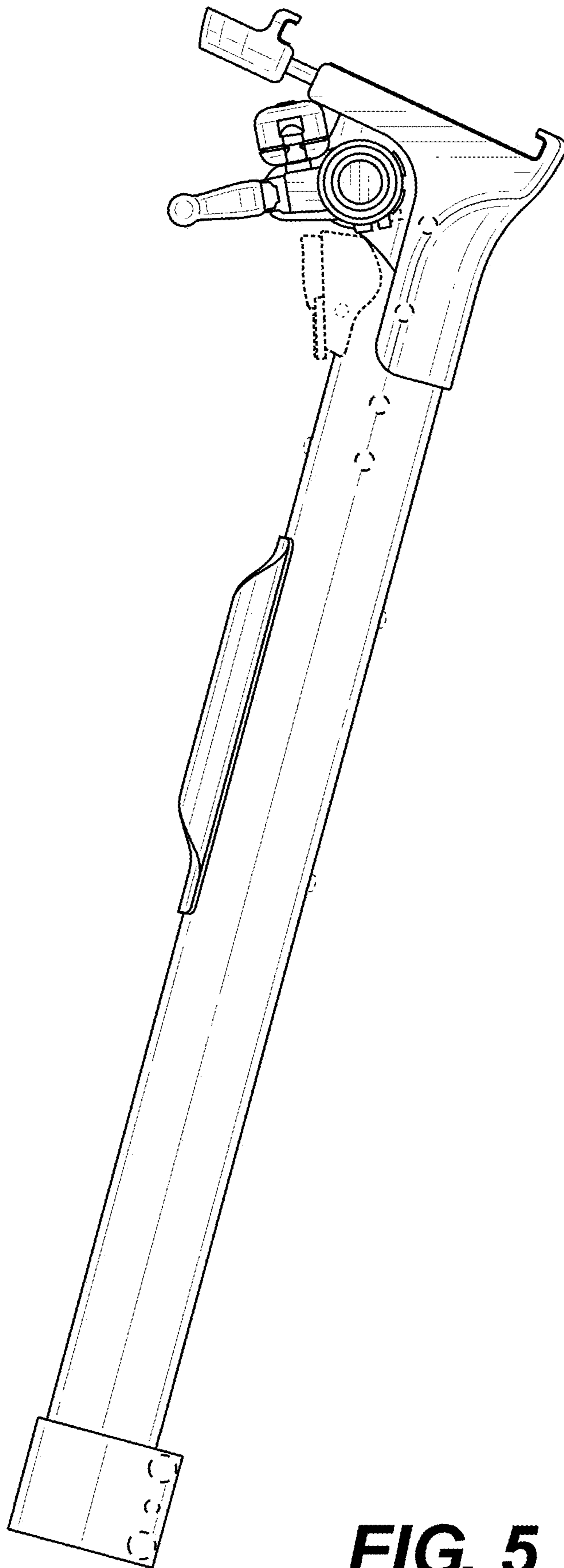


FIG. 5

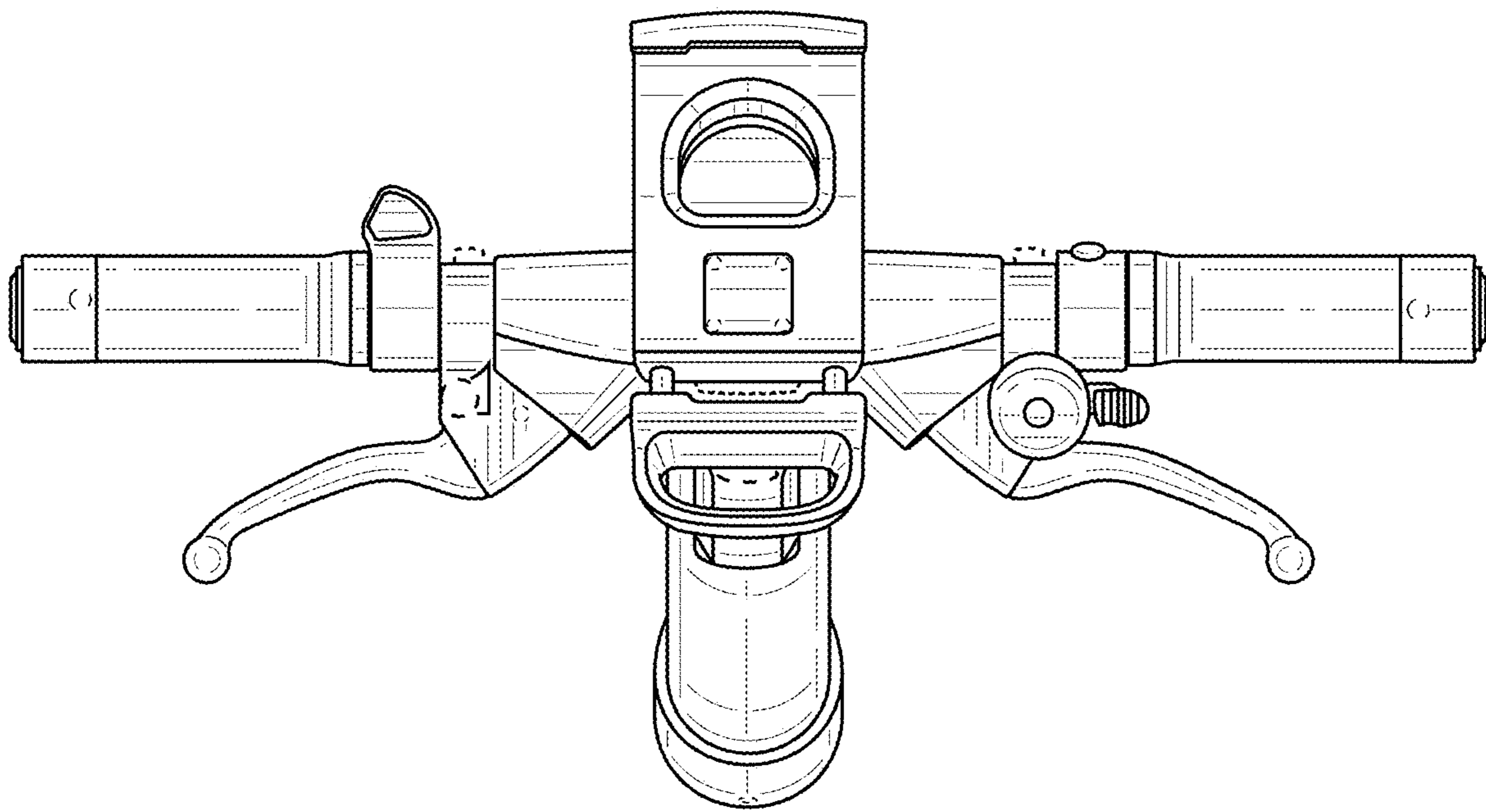


FIG. 6

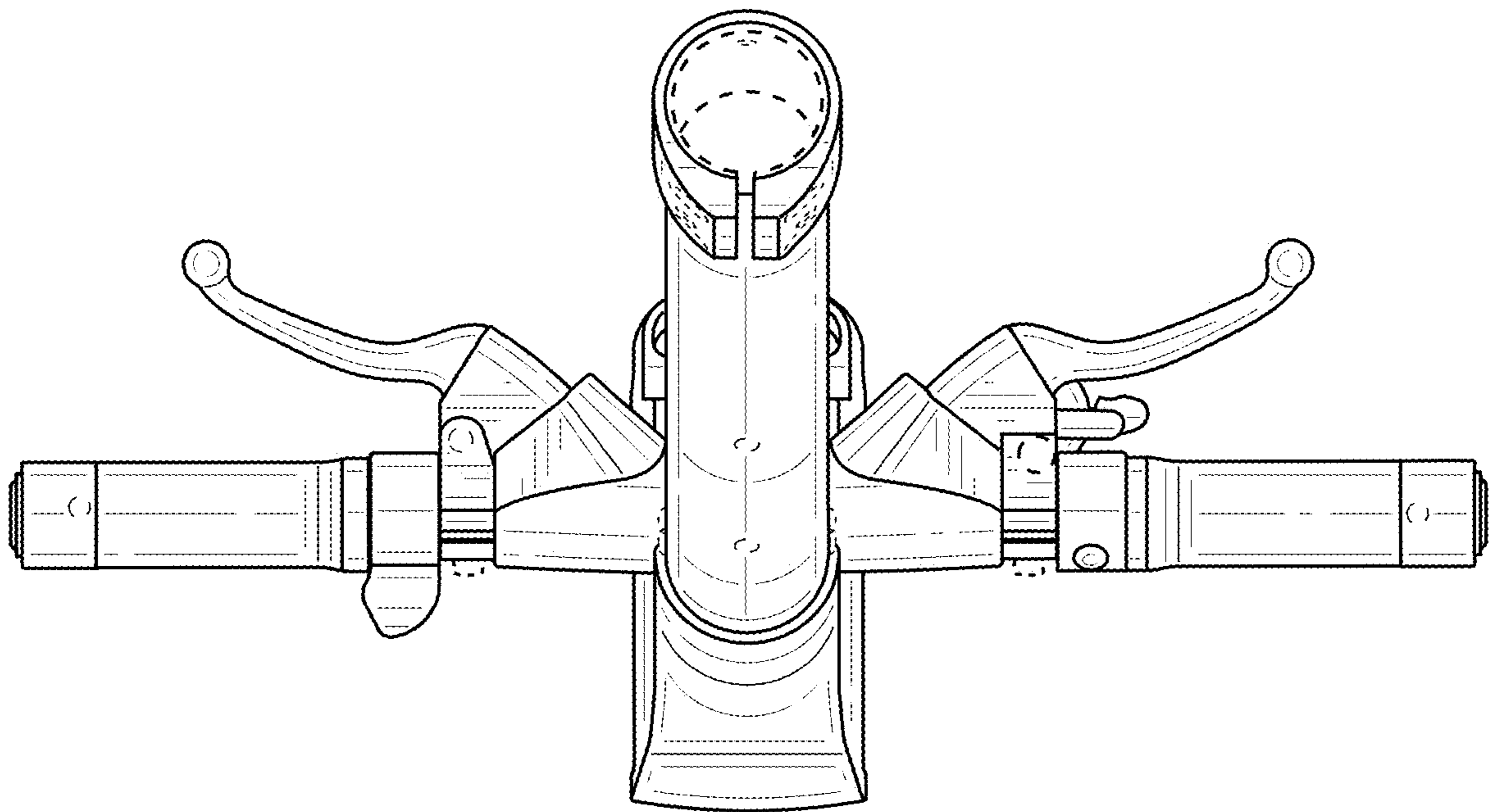


FIG. 7