



US00D955497S

(12) **United States Design Patent**
Glaser

(10) **Patent No.:** **US D955,497 S**

(45) **Date of Patent:** **** Jun. 21, 2022**

- (54) **SOUND GENERATOR**
- (71) Applicant: **Bencoo, Inc.**, Chino, CA (US)
- (72) Inventor: **Jennifer Glaser**, Pasadena, CA (US)
- (**) Term: **15 Years**
- (21) Appl. No.: **29/731,240**
- (22) Filed: **Apr. 13, 2020**
- (51) **LOC (13) Cl.** **21-01**
- (52) **U.S. Cl.**
USPC **D21/405**
- (58) **Field of Classification Search**
USPC D30/160; D21/362, 408, 441, 443, 444,
D21/455, 456, 457, 461, 466, 468, 487,
D21/488, 492, 503, 681, 682, 684, 691,
D21/473, 803, 381, 484, 400, 405;
D12/316; D7/608; D11/40, 86, 93;
D10/120, 119.1, 119.2, 119.3; D1/118,
D1/126, 124, 130
CPC A01K 15/024-025; A63B 21/0608; A63H
33/00; A44C 7/00
See application file for complete search history.

- 6,402,627 B1 * 6/2002 Gordon A63G 13/02
472/114
- D475,173 S * 6/2003 Frazee D1/128
- D489,477 S * 5/2004 Maldonado D26/156
- 6,790,112 B2 * 9/2004 Kirk B63B 34/565
441/129

(Continued)

OTHER PUBLICATIONS

Squirrely Silicone Black Coupler, available on Amazon.com, date first available Jul. 10, 2018, [site visited Oct. 29, 2021], available URL: <https://www.amazon.com/Silicone-Degree-Coupler-Intercooler-Piping/dp/B07FDHNPSW> (Year: 2018).*

(Continued)

Primary Examiner — Dana K Weiland
Assistant Examiner — Emily Anna Saunders
(74) *Attorney, Agent, or Firm* — Tommy S F Wang;
Wang IP Law Group, P.C.

(57) **CLAIM**

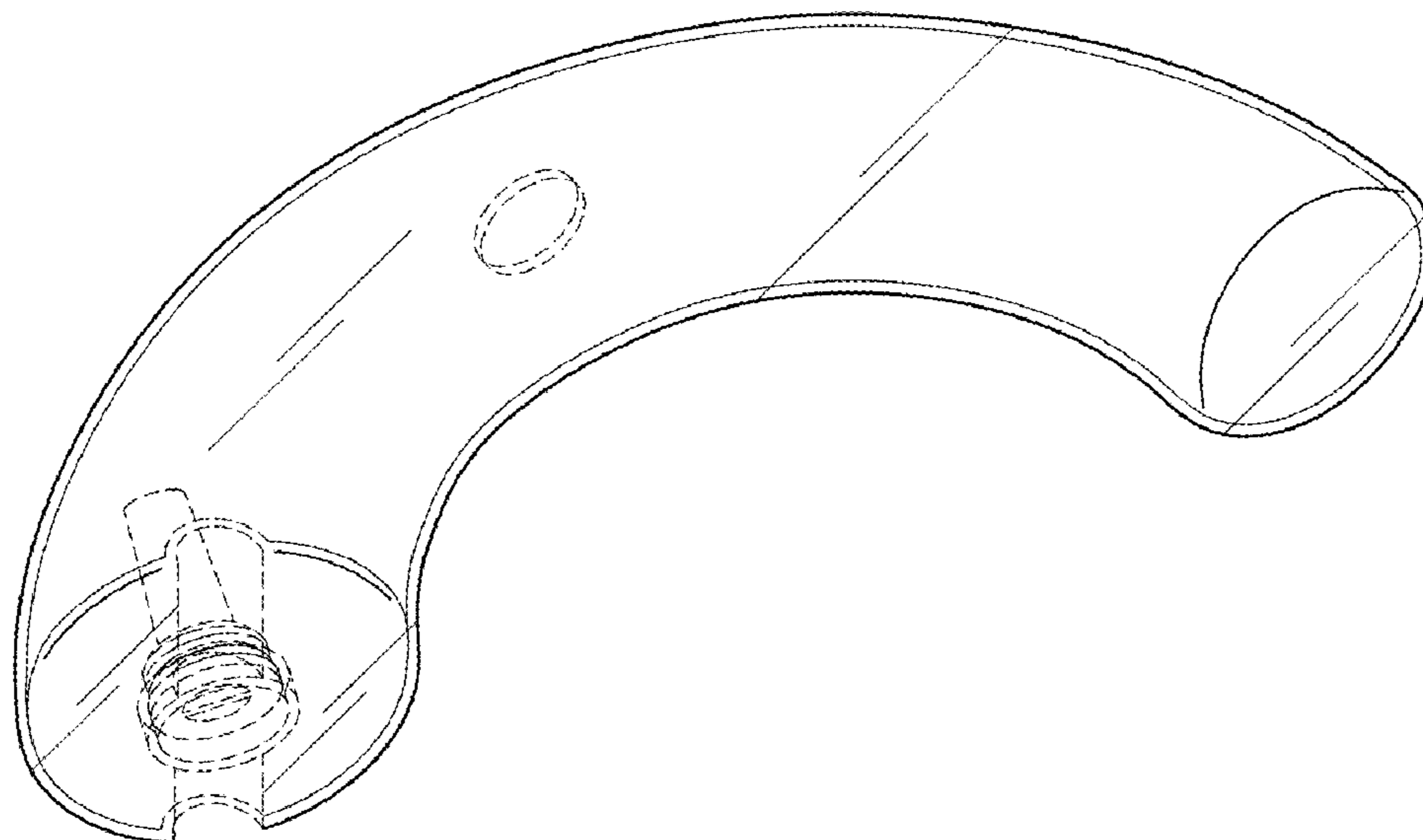
The ornamental design for a sound generator, as shown and described.

DESCRIPTION

FIG. 1 is a perspective view of a sound generator showing my new design;
FIG. 2 is a front view thereof;
FIG. 3 is a rear view thereof;
FIG. 4 is a left side view thereof;
FIG. 5 is a right side view thereof;
FIG. 6 is a top view thereof;
FIG. 7 is a bottom view thereof;
FIG. 8 is an exploded view thereof; and,
FIG. 9 is another exploded view thereof.
The broken lines in FIGS. 1-9 are for the purpose of illustrating portions of the sound generator that form no part of the claimed design.

1 Claim, 6 Drawing Sheets

- (56) **References Cited**
U.S. PATENT DOCUMENTS
2,230,835 A * 2/1941 Graetz A63H 5/00
446/200
D258,830 S * 4/1981 Sigg D21/497
D309,274 S * 7/1990 Gray D10/119.3
5,433,902 A * 7/1995 Leyderman B28B 21/86
264/219
5,462,758 A * 10/1995 Ventres A23L 7/109
426/451
D372,312 S * 7/1996 Lange D11/41
5,750,279 A * 5/1998 Carolan C25B 9/70
429/456
D395,171 S * 6/1998 Schwartz D1/126
5,985,186 A * 11/1999 Kasprzyk C04B 35/573
264/29.7



(56)

References Cited

U.S. PATENT DOCUMENTS

D569,238 S * 5/2008 Gazau D8/367
 D598,314 S * 8/2009 Ingerman D10/109.2
 8,377,248 B2 * 2/2013 Coleman B29C 70/443
 156/287
 D721,570 S * 1/2015 Caughron D8/367
 D757,391 S * 5/2016 Paget D1/106
 D782,355 S * 3/2017 Paik D10/119.3
 D812,334 S * 3/2018 Grimes D34/27
 10,335,700 B2 * 7/2019 Wong A63H 29/22
 D866,679 S * 11/2019 Zobel D21/468
 D877,444 S * 3/2020 Khan D99/5
 D895,226 S * 9/2020 Yousef Zadeh D1/124
 D933,477 S * 10/2021 Glaser D9/439
 2002/0068651 A1 * 6/2002 Hicks A63B 67/083
 473/509
 2012/0272921 A1 * 11/2012 Santarsiero A63F 7/386
 119/707
 2015/0122903 A1 * 5/2015 Boyce A63H 18/02
 238/10 A
 2019/0183093 A1 * 6/2019 Skoropys A01K 15/025

OTHER PUBLICATIONS

Sanitary Weld 180 Degree U Bends, available on stainlessalloy.com, [site visited Oct. 29, 2021], available URL: <https://stainlessalloy.com/stainless-steel-sanitary-weld-180-degree-u-bends/> (Year: 2021).*

Authentic Curved Noodle Bead, available on Amazon.com, date first available Sep. 28, 2017, [site visited Oct. 29, 2021], available URL: <https://www.amazon.com/dp/B075ZNFKV6/> (Year: 2017).*

Tri-Clamp 180 Degree Return Bends, available at sanitaryfittings.us, [site visited Oct. 29, 2021], available URL: <https://sanitaryfittings.us/product/tri-clamp-180-return-bends> (Year: 2021).*

Overflow U-Tube, available at aquacave.com, [site visited Nov. 2, 2021], available URL: <https://www.aquacave.com/overflow-u-tube-1-5.html> (Year: 2021).*

Rectorseal EZ Trap, available on Amazon, date first available Feb. 28, 2013, [site visited Nov. 2, 2021], available URL: <https://www.amazon.com/Rectorseal-83113-113-Trap-4-Inch/dp/B00BMV6QU4/> (Year: 2013).*

* cited by examiner

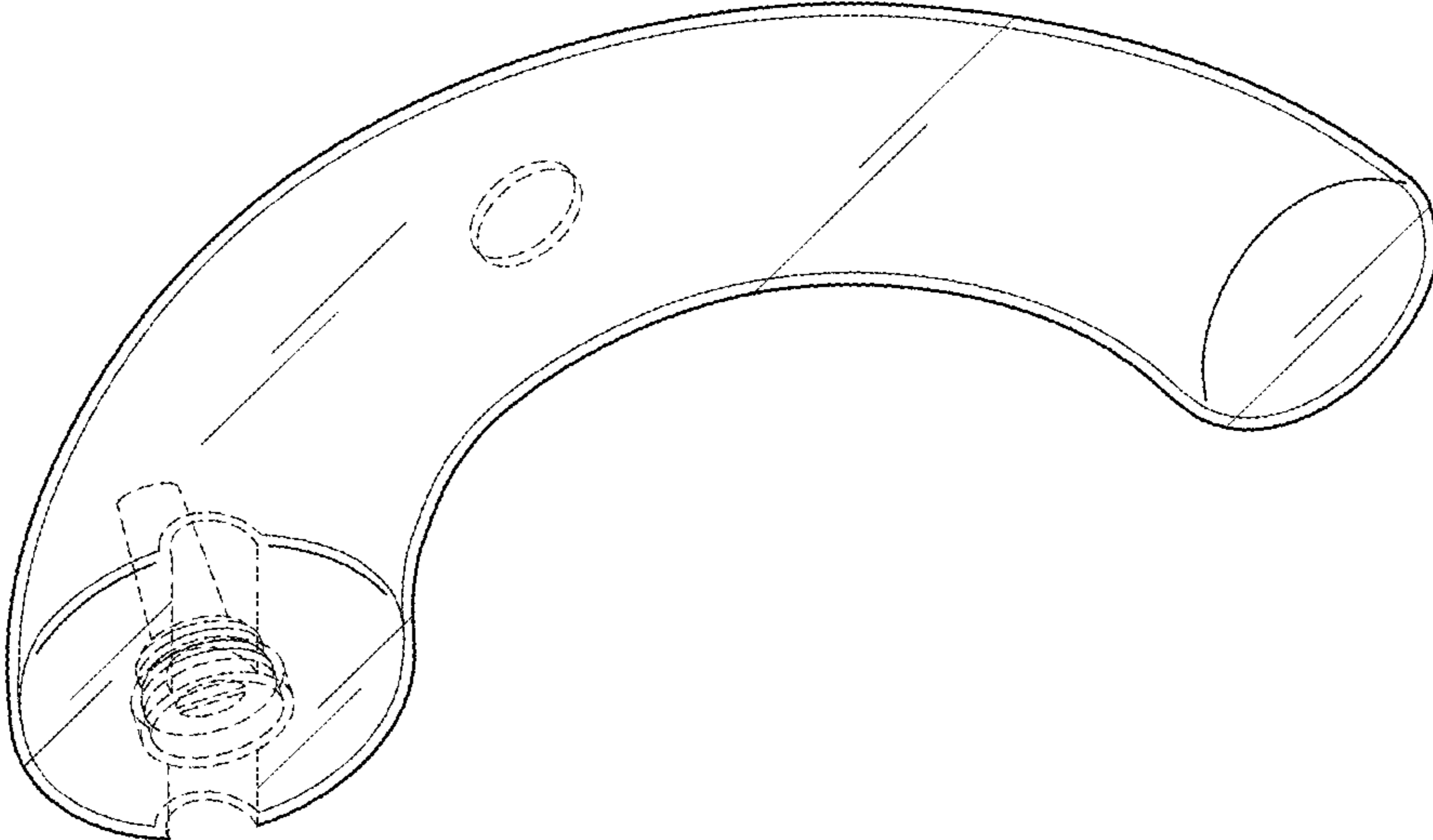


FIG. 1

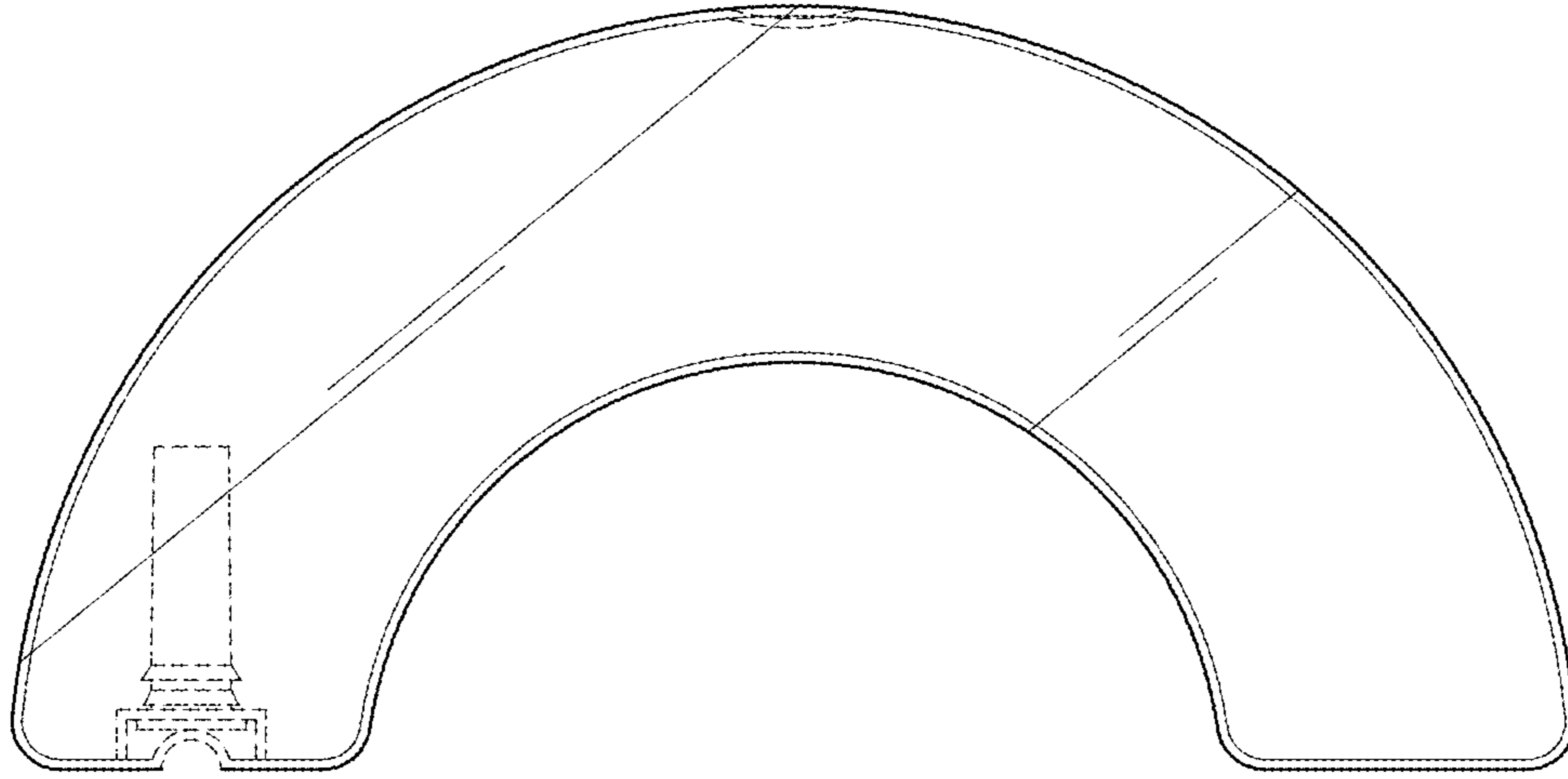


FIG. 2

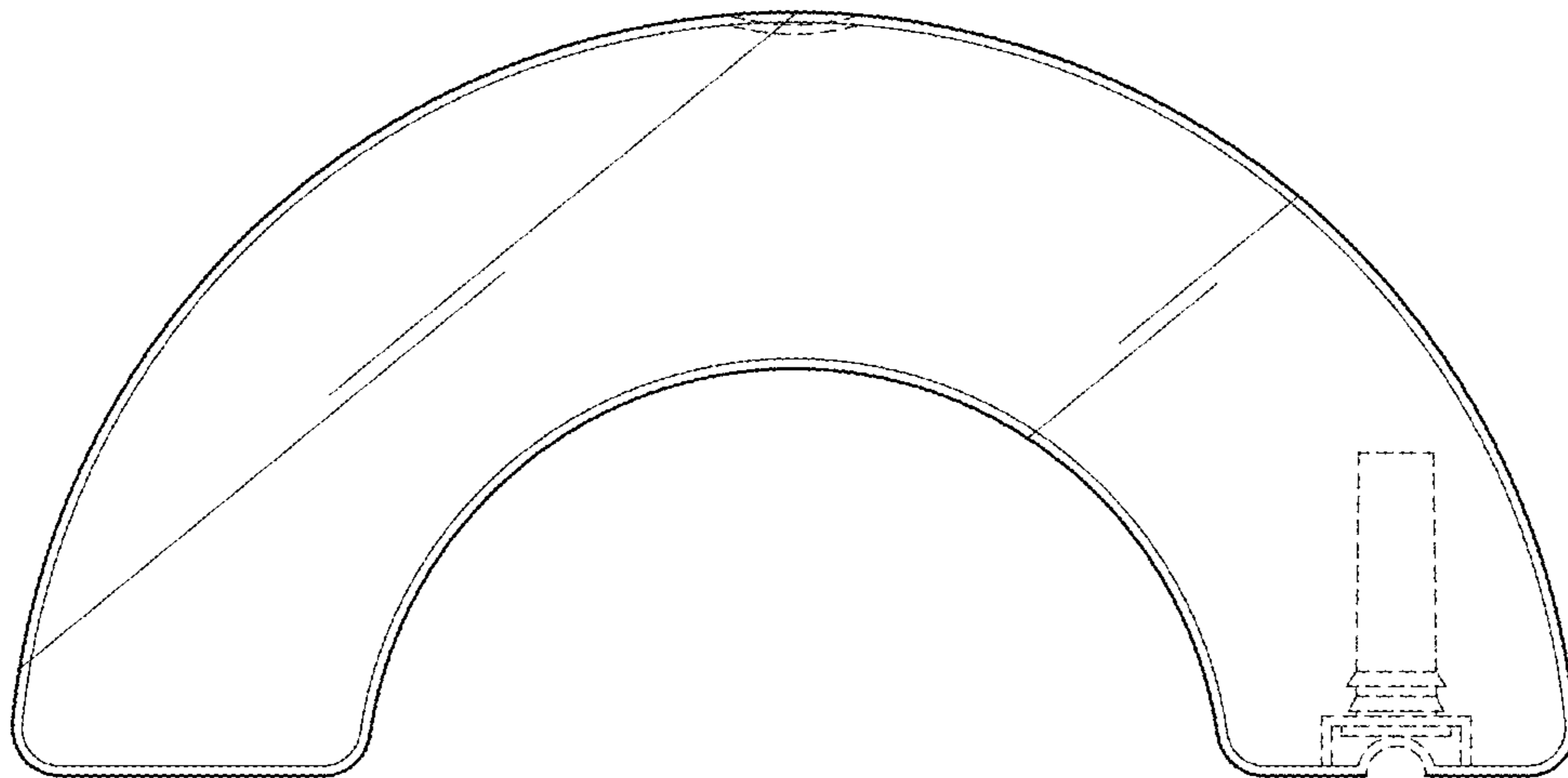


FIG. 3

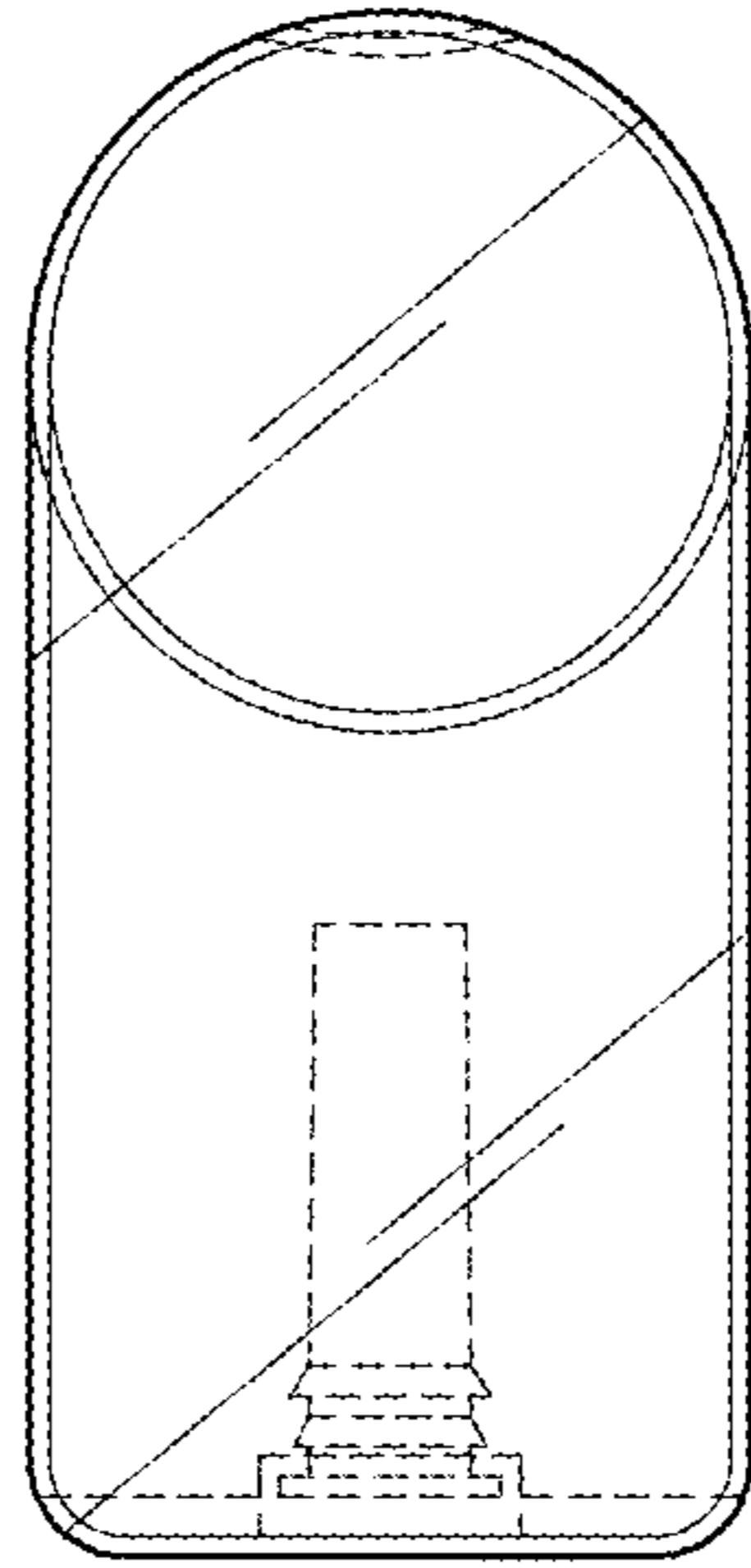


FIG. 4

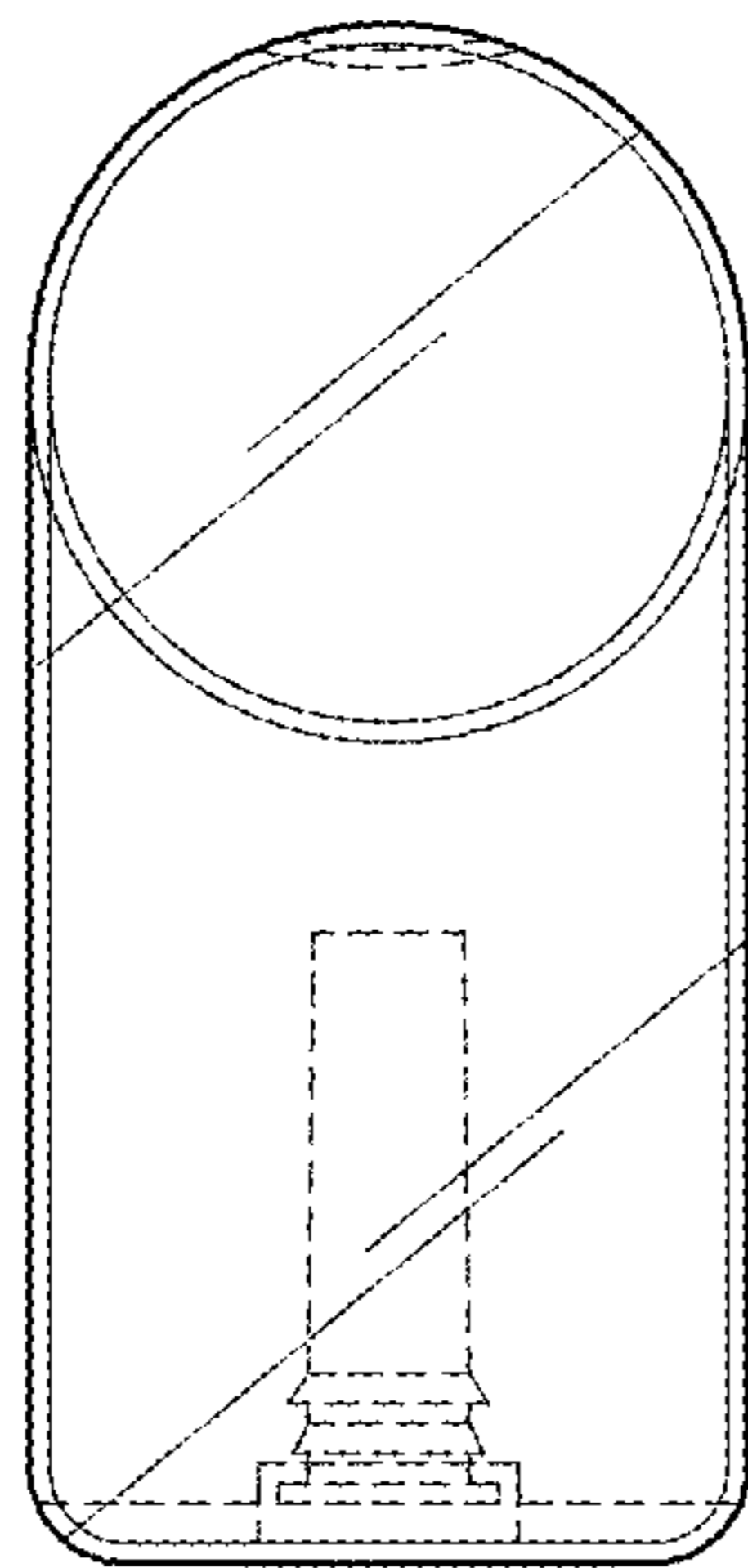


FIG. 5

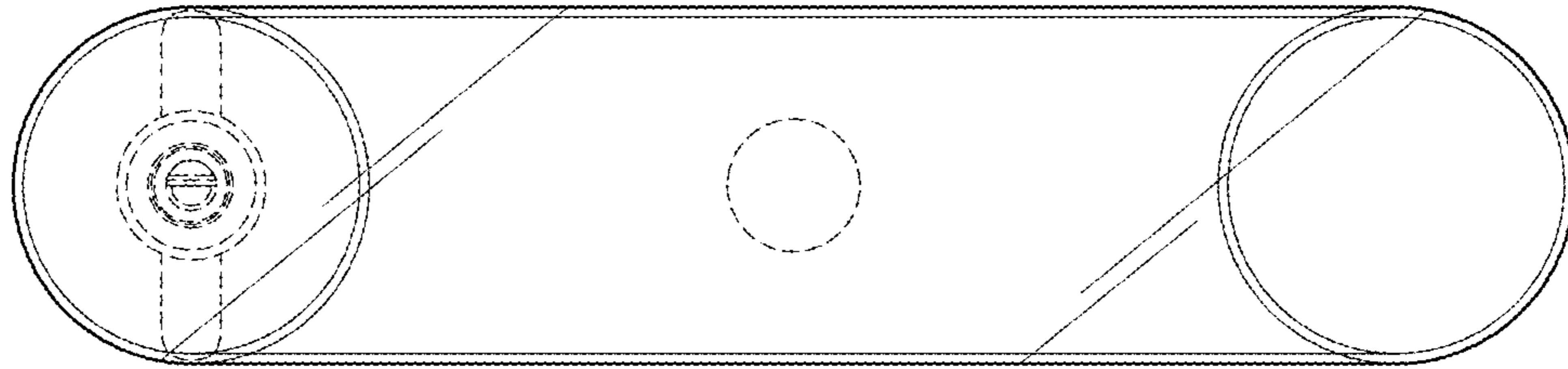


FIG. 6

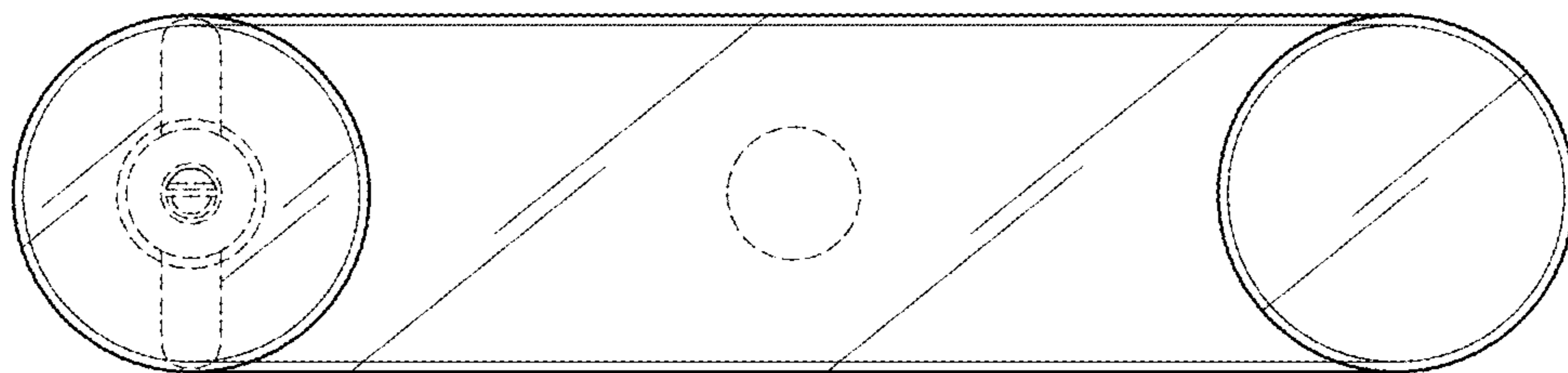


FIG. 7

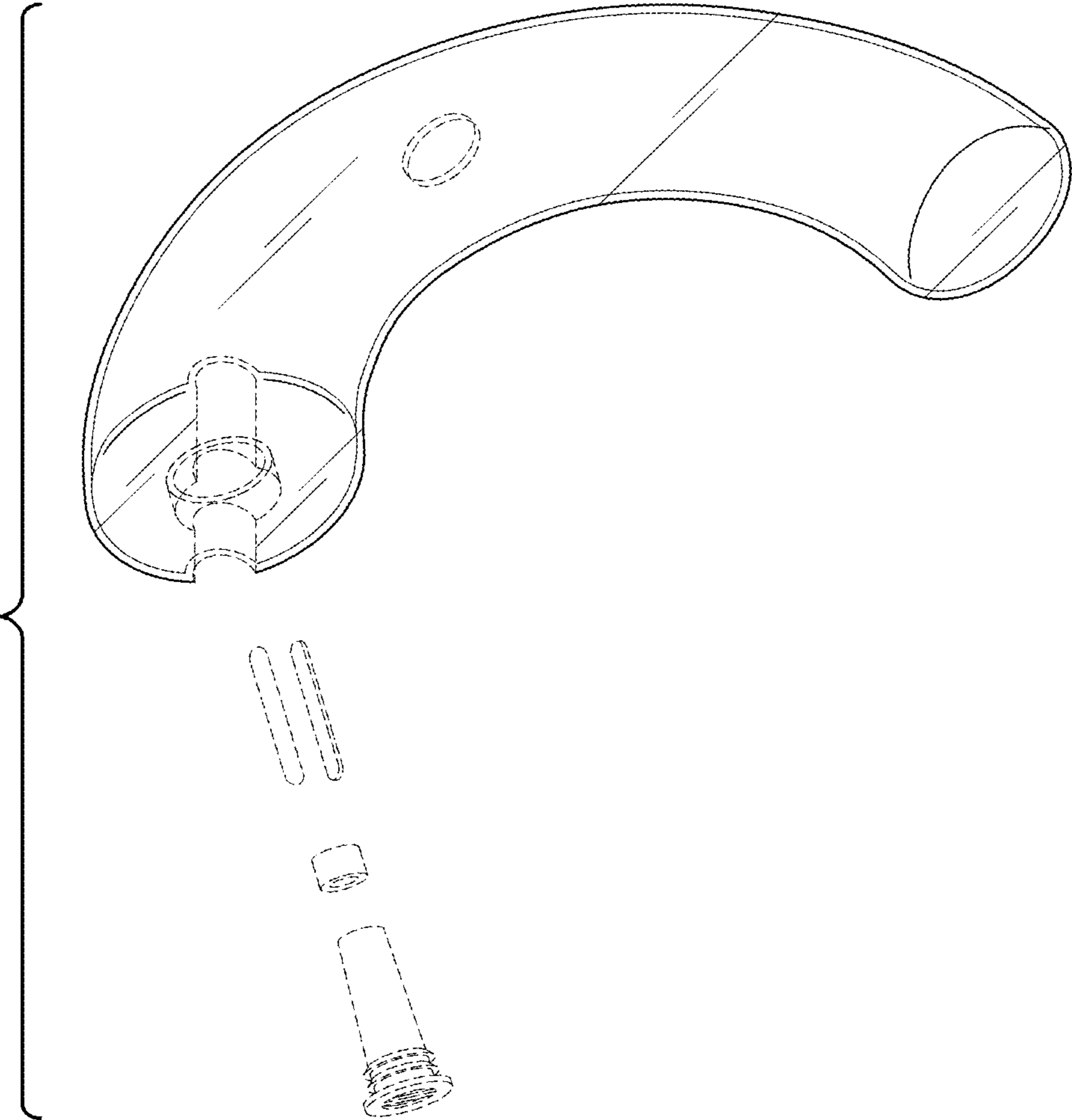


FIG. 8

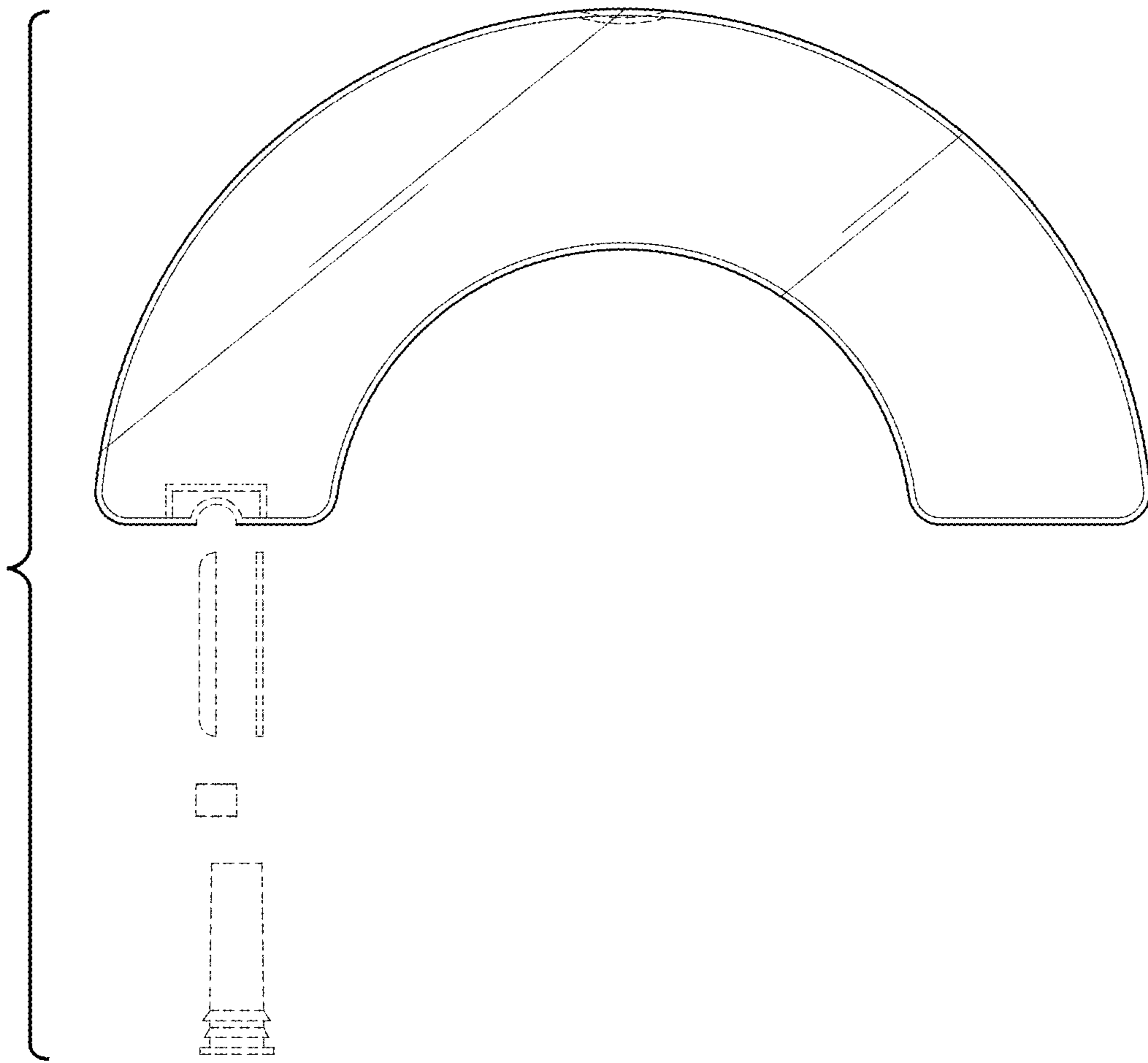


FIG. 9