



US00D955496S

(12) **United States Design Patent**
Cai

(10) **Patent No.:** **US D955,496 S**
(45) **Date of Patent:** **** Jun. 21, 2022**

- (54) **TOY**
- (71) Applicant: **Wantian Cai**, Shantou (CN)
- (72) Inventor: **Wantian Cai**, Shantou (CN)
- (**) Term: **15 Years**
- (21) Appl. No.: **29/779,376**
- (22) Filed: **Apr. 19, 2021**
- (51) **LOC (13) Cl.** **21-01**
- (52) **U.S. Cl.**
USPC **D21/401; D21/572**
- (58) **Field of Classification Search**
USPC D21/333, 401, 570, 572-575; D14/418
CPC F41B 7/00; F41B 7/003; F41B 7/08; F41B
9/00; F41B 9/0078; F41B 9/0081; F41B
11/89; A63H 5/04; A63H 33/28
See application file for complete search history.

(56) **References Cited**

U.S. PATENT DOCUMENTS

- D309,759 S * 8/1990 Mak D21/401
- D635,200 S 3/2011 Nadel
- 8,888,549 B2 * 11/2014 Lo A63H 33/28
446/15
- D722,117 S * 2/2015 Chen D21/401

- D754,802 S 4/2016 Martelli et al.
- D761,365 S * 7/2016 Champ D21/570
- 10,434,433 B1 * 10/2019 Thai A63H 29/22
- D867,466 S * 11/2019 Thai D21/401
- 2012/0214378 A1 * 8/2012 Lo A63H 33/28
446/15
- 2012/0270462 A1 * 10/2012 Lo A63H 33/28
446/15
- 2013/0125991 A1 * 5/2013 Lau A63H 33/28
137/1
- 2014/0364032 A1 * 12/2014 Kelly A63H 33/28
446/15

* cited by examiner

Primary Examiner — Cynthia M. Chin

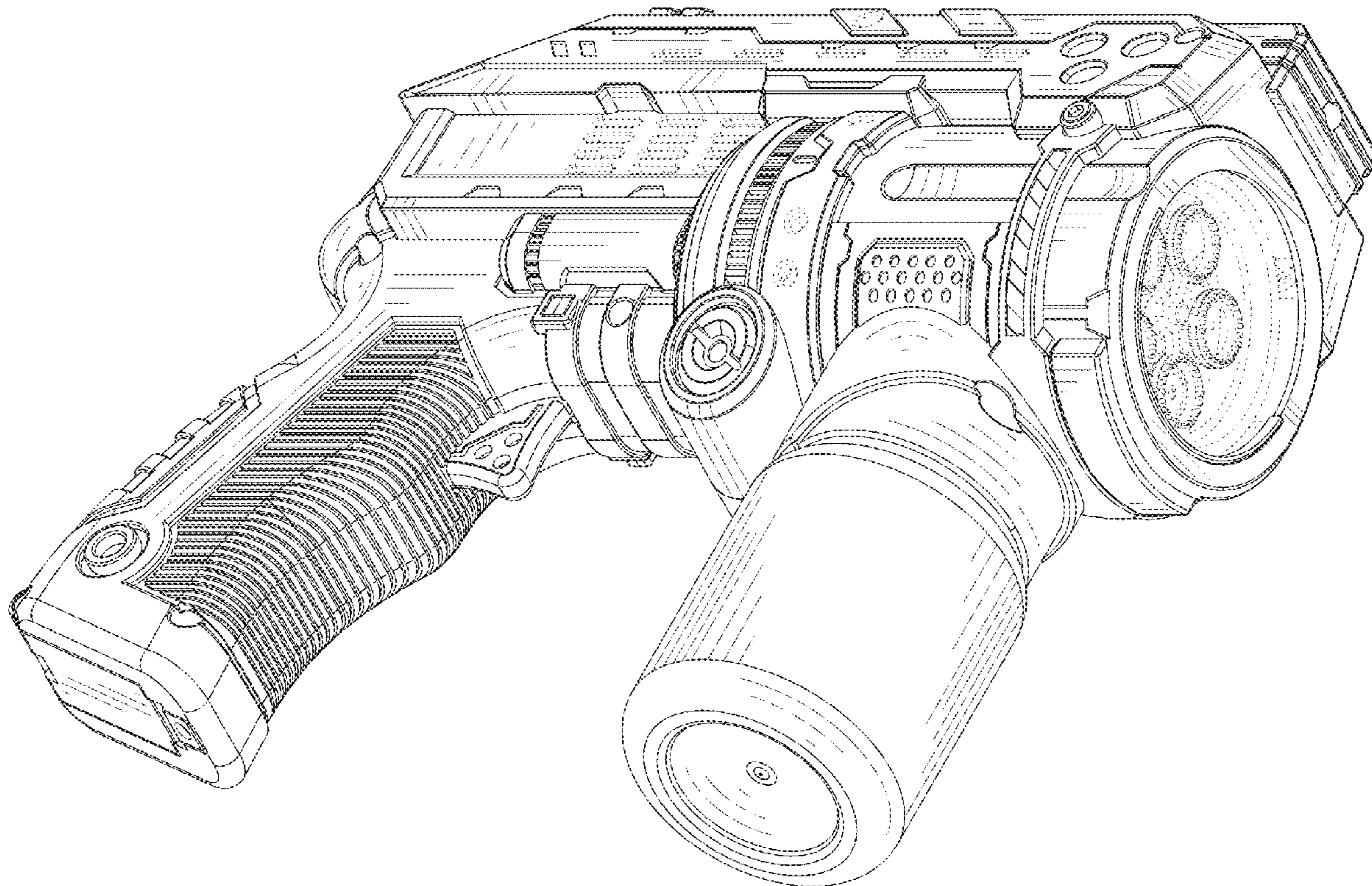
(57) **CLAIM**

The ornamental design for a toy, as shown and described.

DESCRIPTION

FIG. 1 is a front view of a toy showing my new design;
 FIG. 2 is a rear view thereof;
 FIG. 3 is a left side view thereof;
 FIG. 4 is a right side view thereof;
 FIG. 5 is a top plan view thereof;
 FIG. 6 is a bottom plan view thereof; and,
 FIG. 7 is a perspective view thereof.
 The broken lines in the drawings depict portions of the toy that form no part of the claimed design.

1 Claim, 7 Drawing Sheets



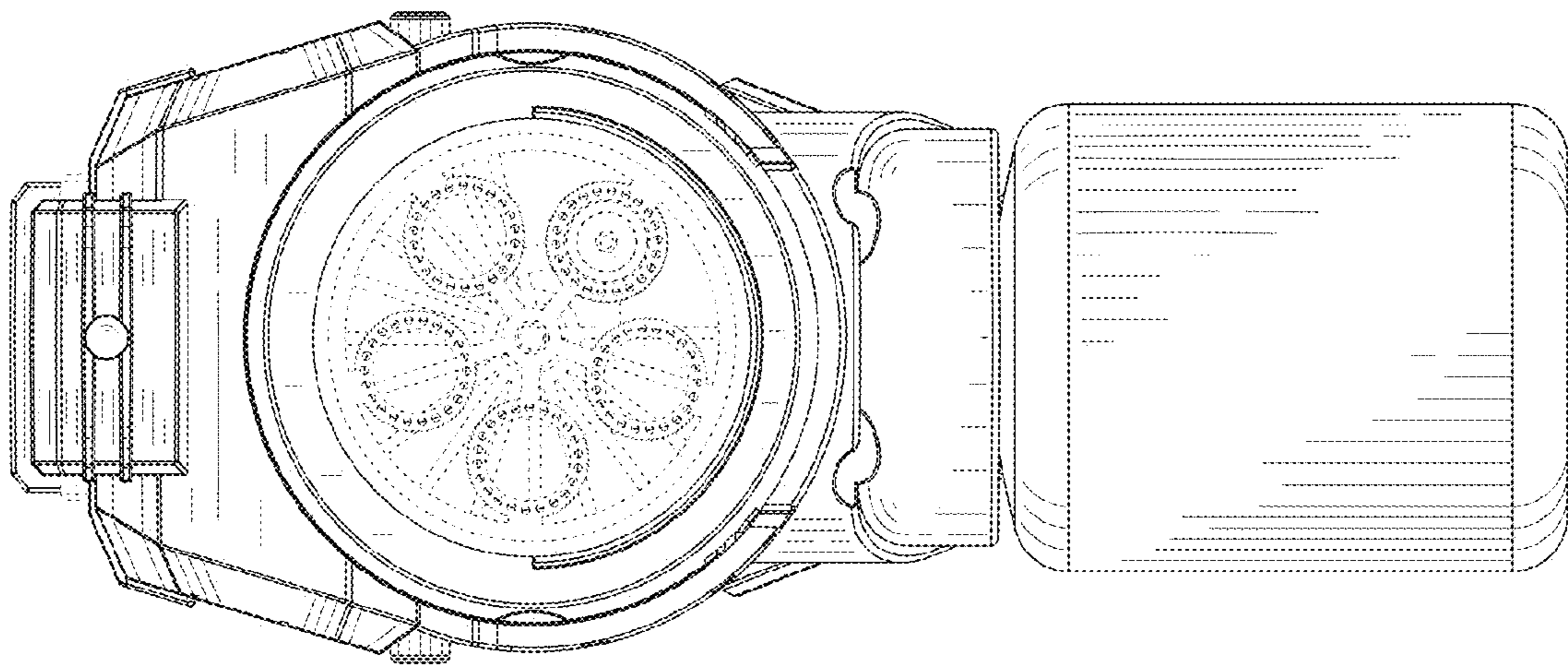


FIG. 1

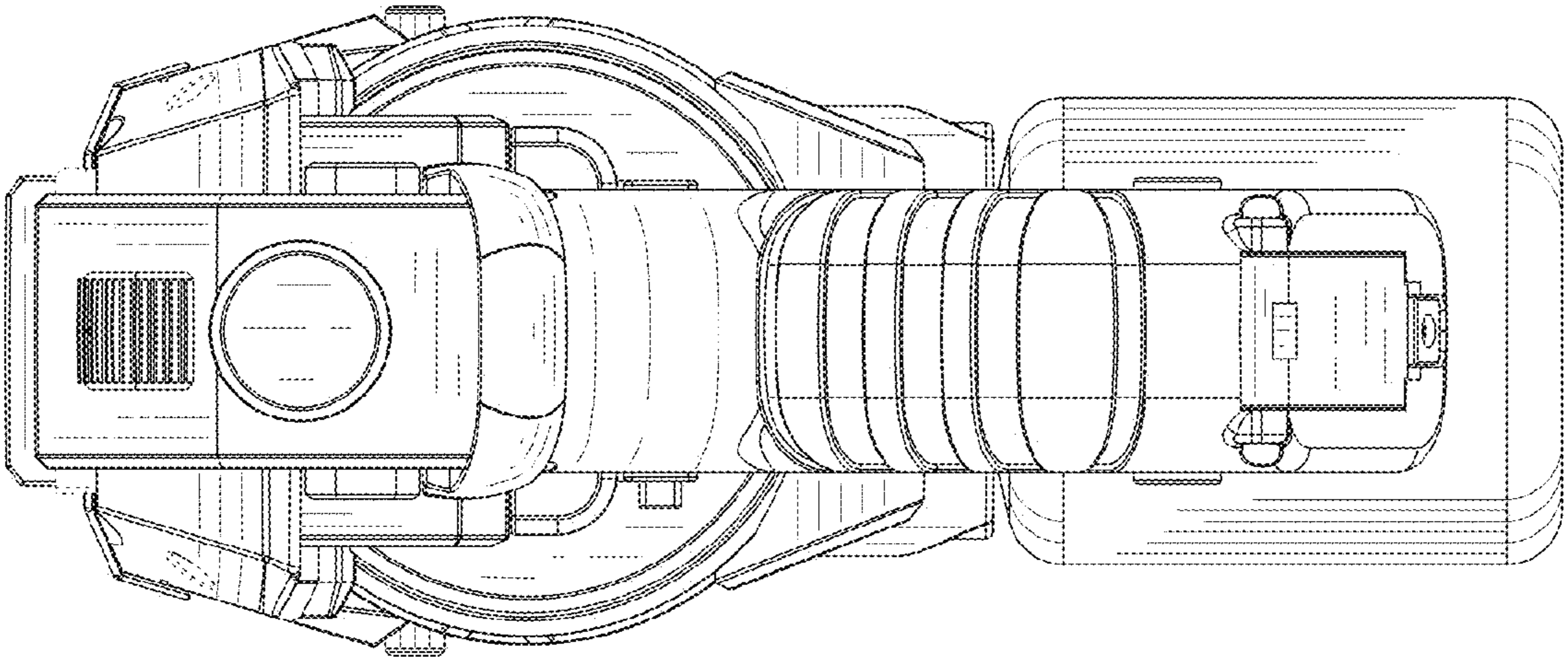


FIG. 2

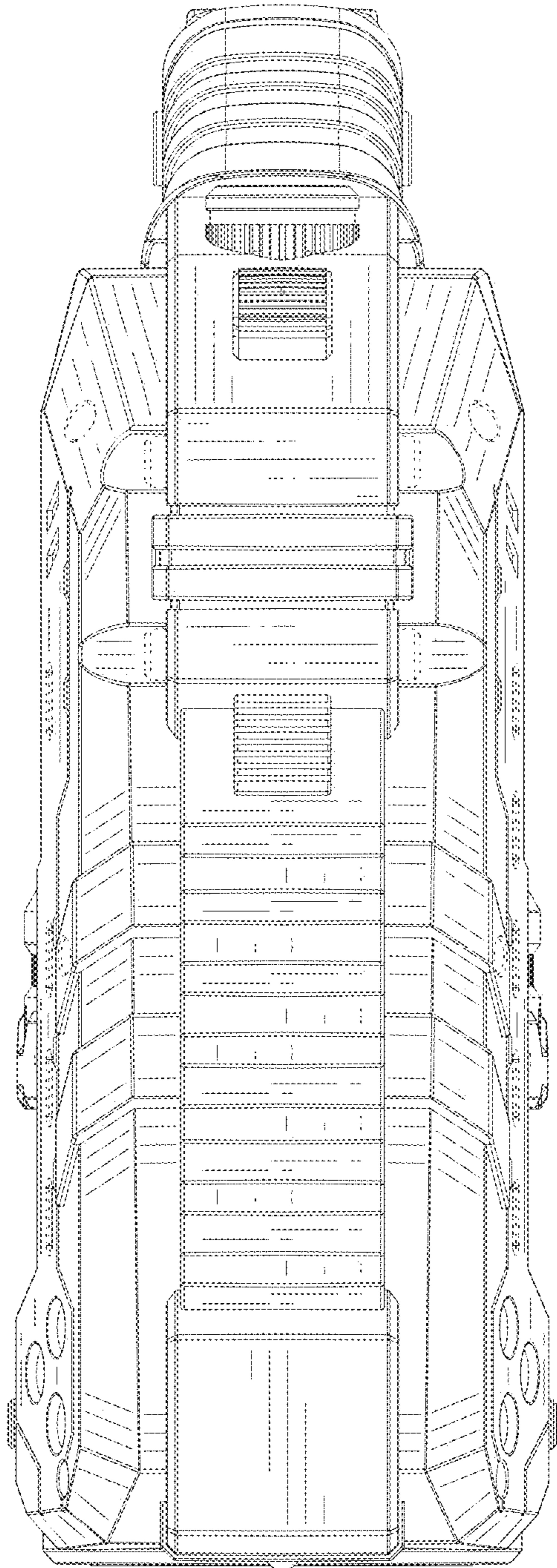


FIG. 3

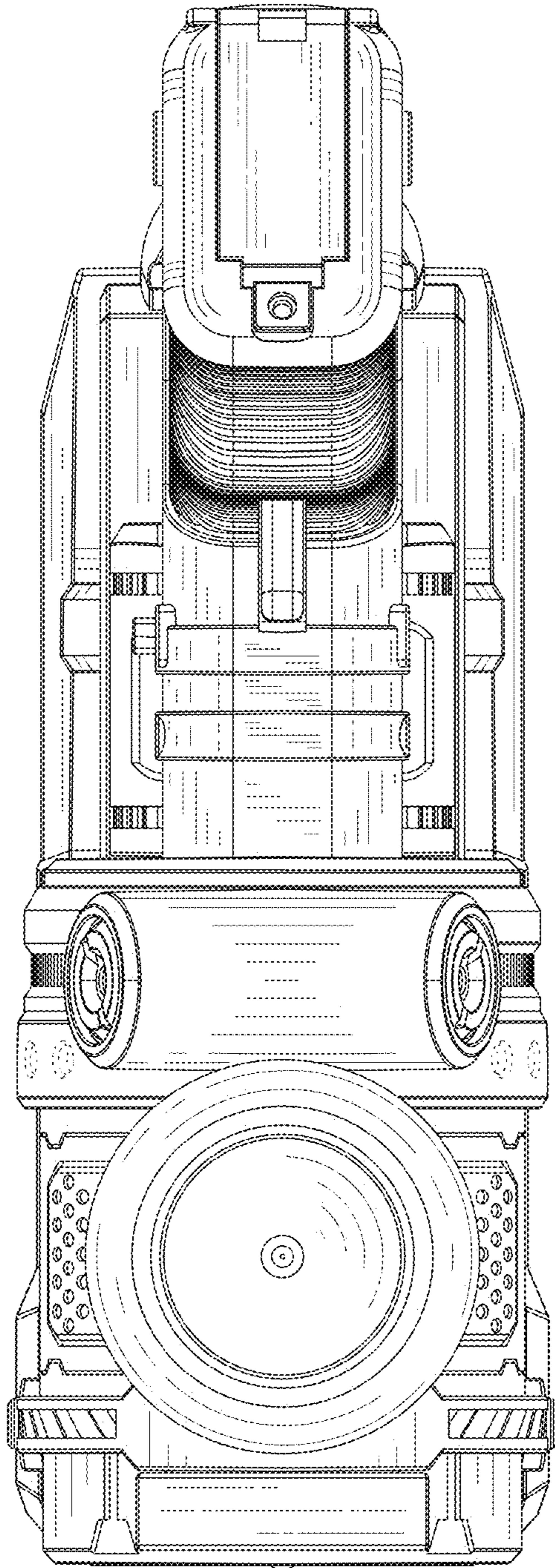


FIG. 4

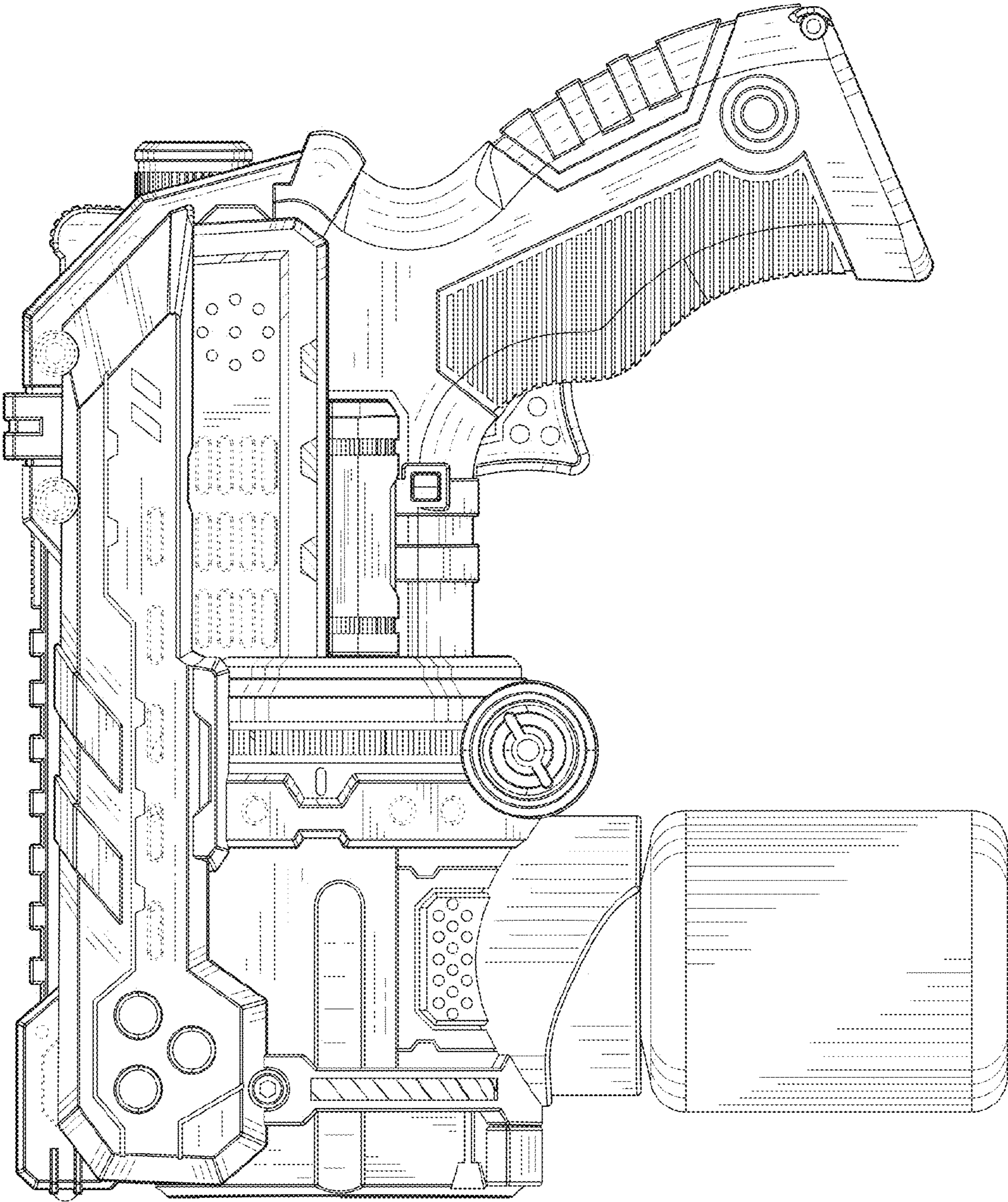


FIG. 5

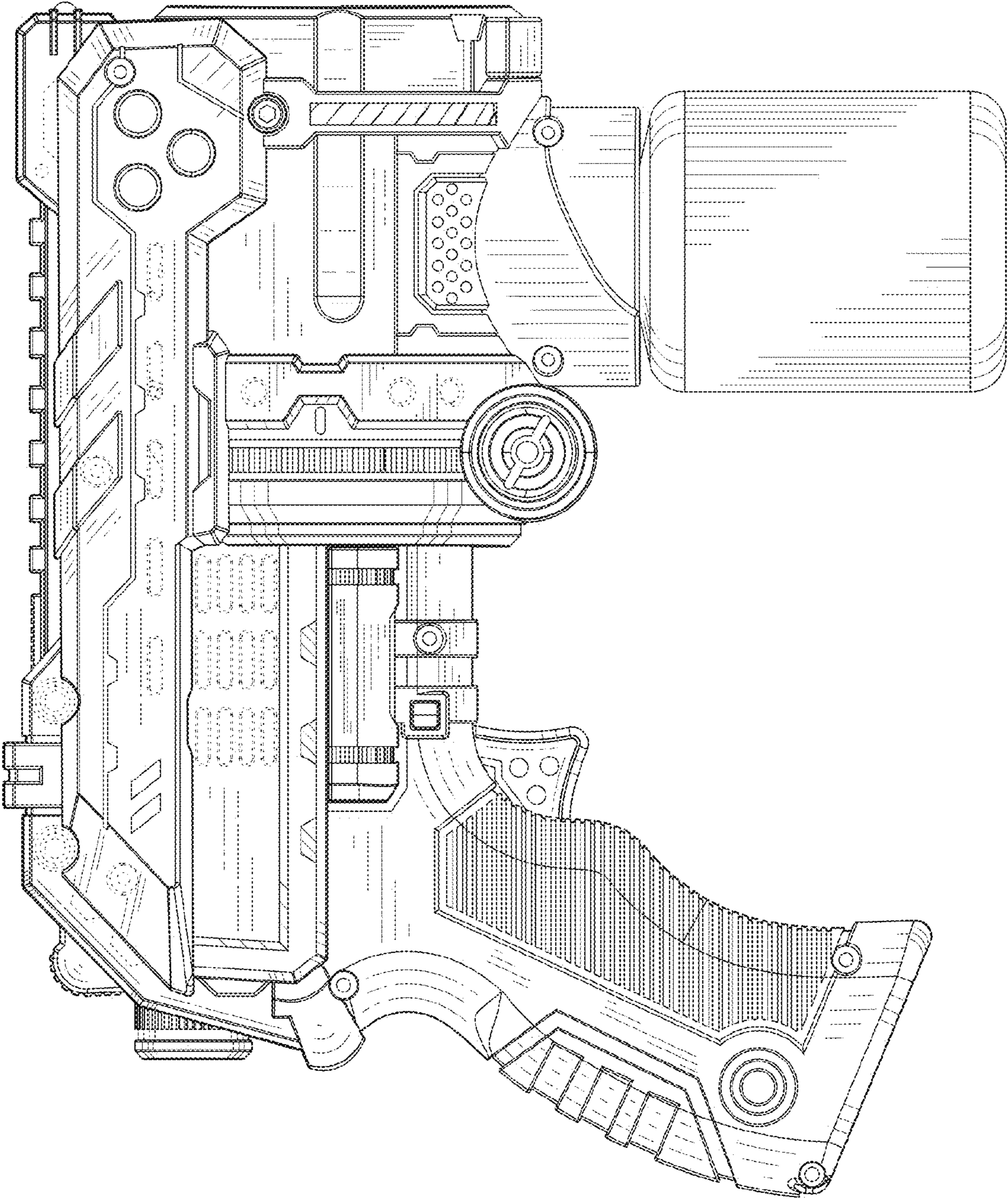


FIG. 6

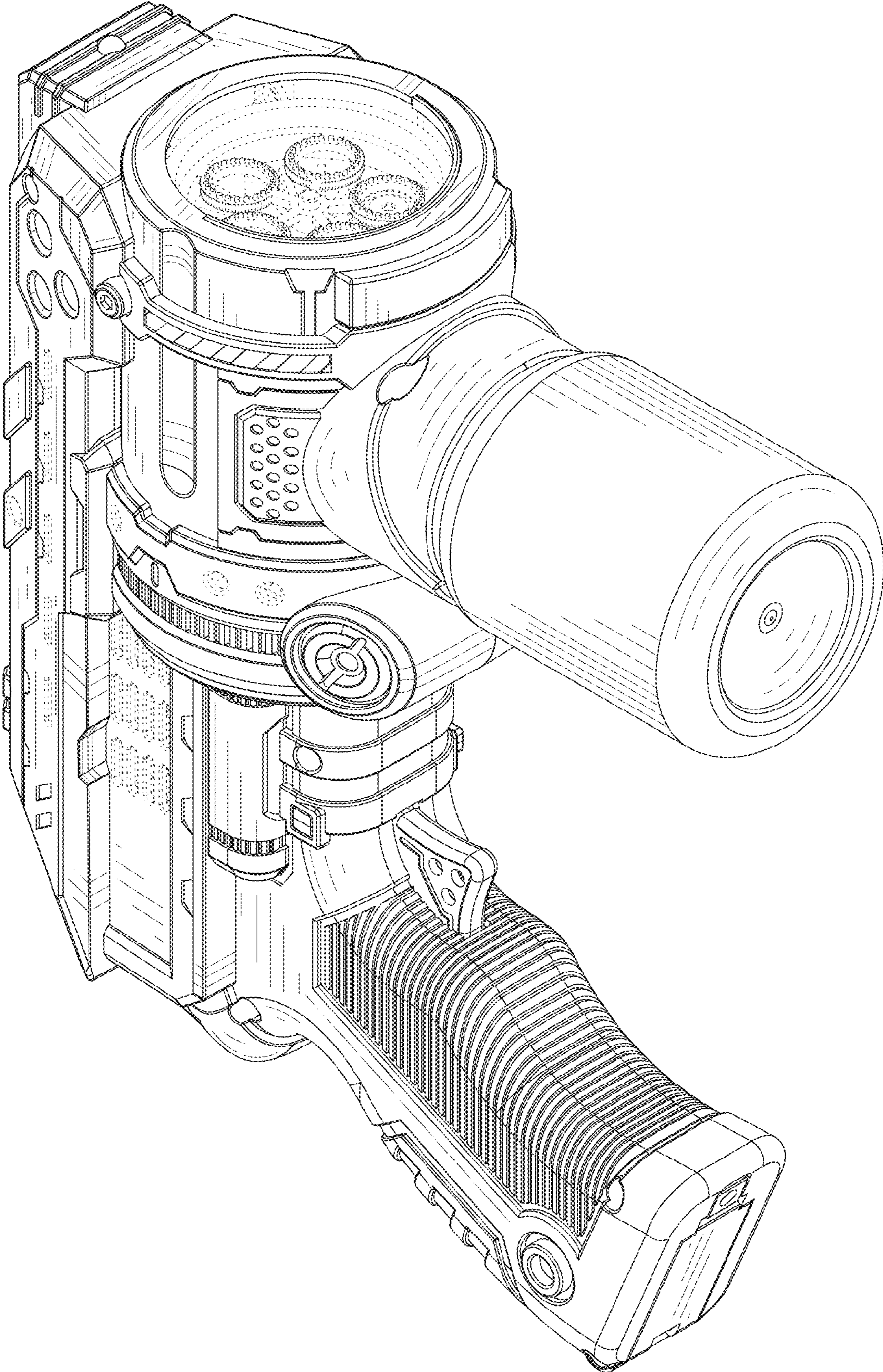


FIG. 7