



US00D955489S

(12) **United States Design Patent**
Conrad

(10) **Patent No.:** **US D955,489 S**
(45) **Date of Patent:** **** Jun. 21, 2022**

(54) **STEERING WHEEL FOR GAME SYSTEMS**

D811,296 S * 2/2018 Cadalora D12/177
D850,999 S * 6/2019 Chou D12/177
D936,539 S * 11/2021 Papis D12/177

(71) Applicant: **Endor AG**, Landshut (DE)

* cited by examiner

(72) Inventor: **Bernhard Conrad**, Buch am Erlbach (DE)

Primary Examiner — Joseph Kukella

(**) Term: **15 Years**

(21) Appl. No.: **35/512,119**

(57) **CLAIM**

(22) Filed: **Mar. 12, 2021**

The ornamental design for a steering wheel for game systems, as shown and described.

(80) **Hague Agreement Data**

Int. Filing Date: **Mar. 12, 2021**

Int. Reg. No.: **DM/214970**

Int. Reg. Date: **Mar. 12, 2021**

Int. Reg. Pub. Date: **Jul. 2, 2021**

DESCRIPTION

(51) **LOC (13) Cl.** **21-01**

The patent or application file contains at least one drawing executed in color. Copies of this patent or patent application publication with color drawing(s) will be provided by the Office upon request and payment of the necessary fee.

(52) **U.S. Cl.**

USPC **D21/333**

(58) **Field of Classification Search**

USPC D12/175-177; D14/388, 389, 390, 412, D14/413-417, 454, 455; D21/324, 333

CPC A63F 13/20; A63F 13/24; A63F 13/245; A63F 13/98

See application file for complete search history.

1. Steering wheel for game systems

1.1 : Bottom

1.2 : Side view

1.3 : Back

1.4 : Front

1.5 : Perspective view from the front

1.6 : Top

1.7 : Perspective view from the back

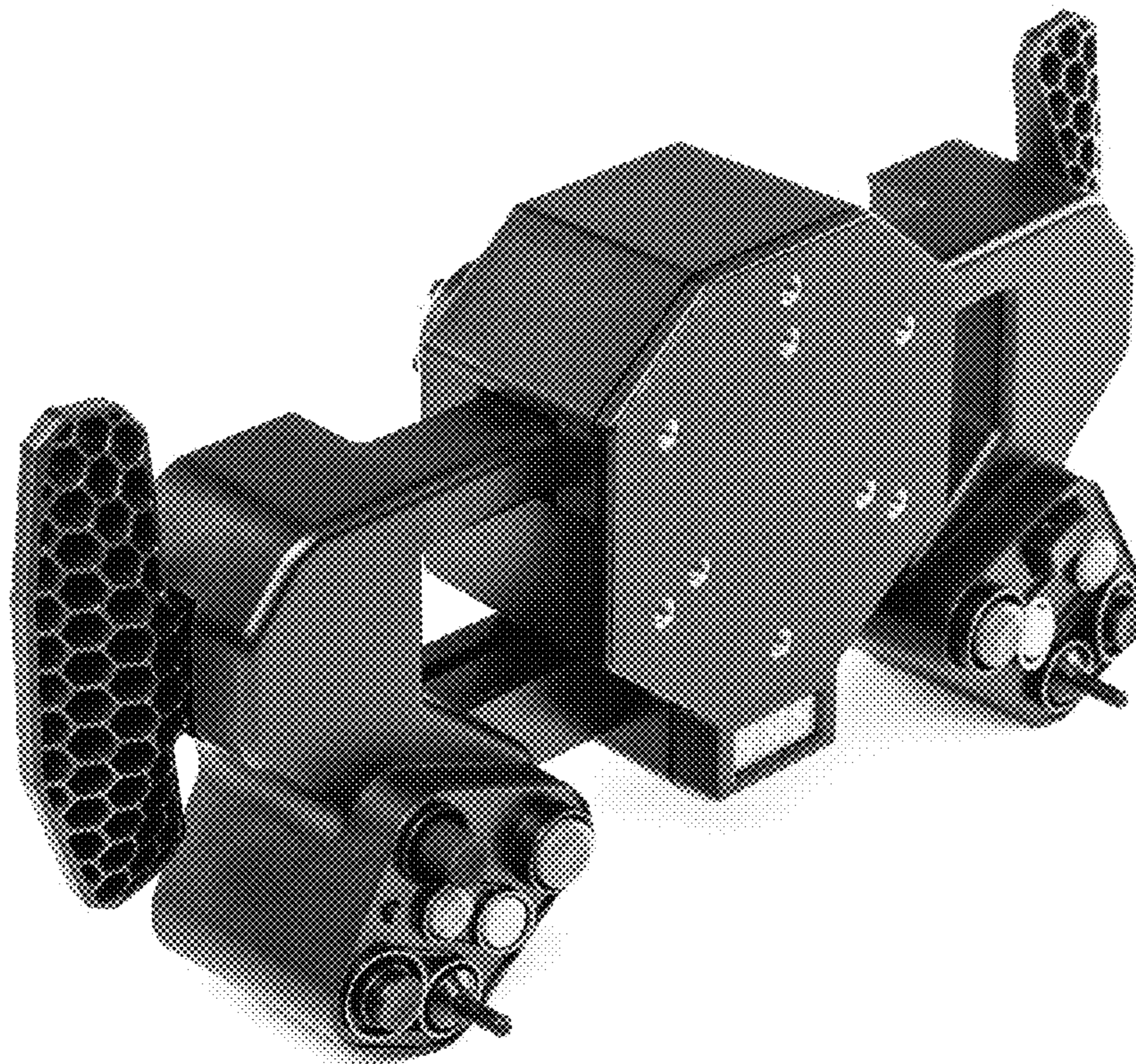
(56) **References Cited**

U.S. PATENT DOCUMENTS

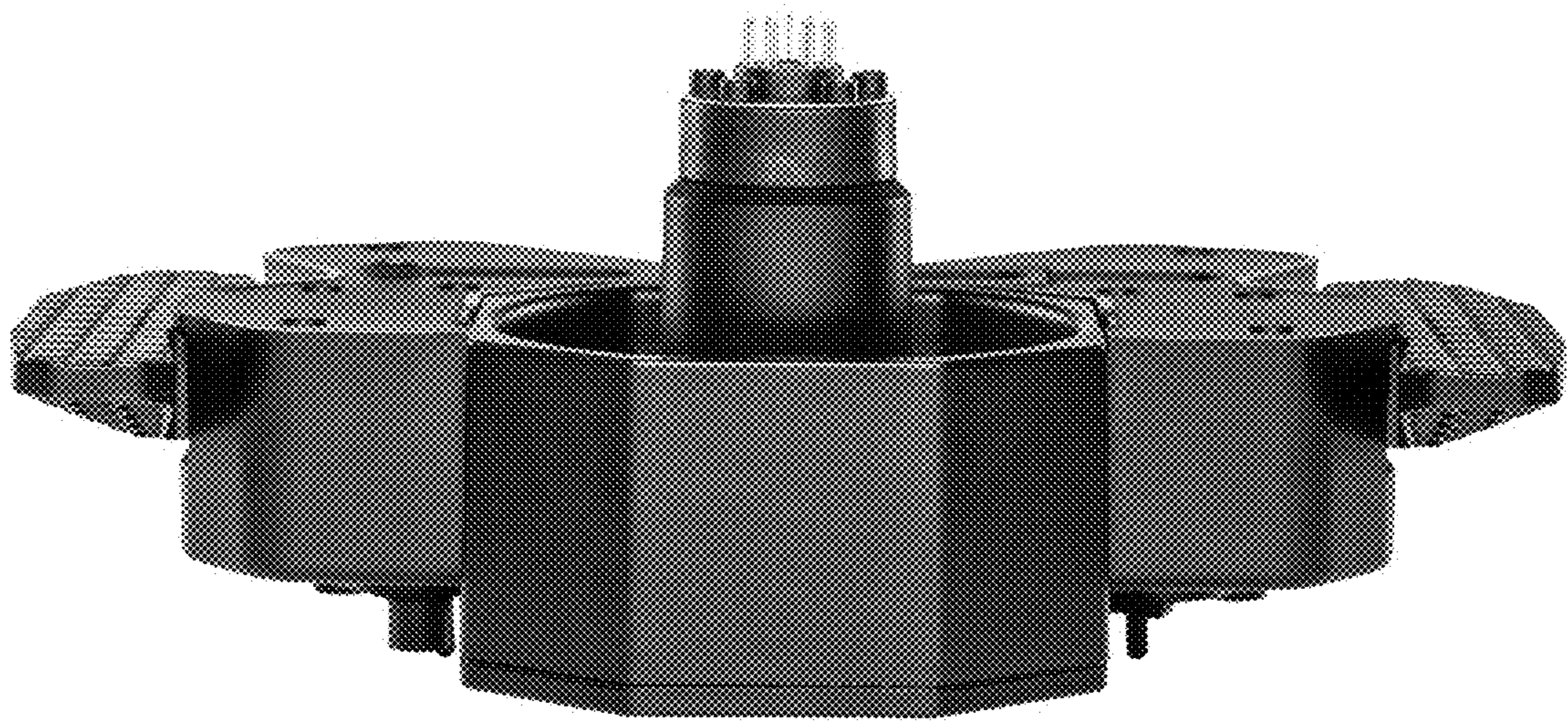
D298,526 S * 11/1988 Green D12/175

D568,409 S * 5/2008 Ikeda D14/416

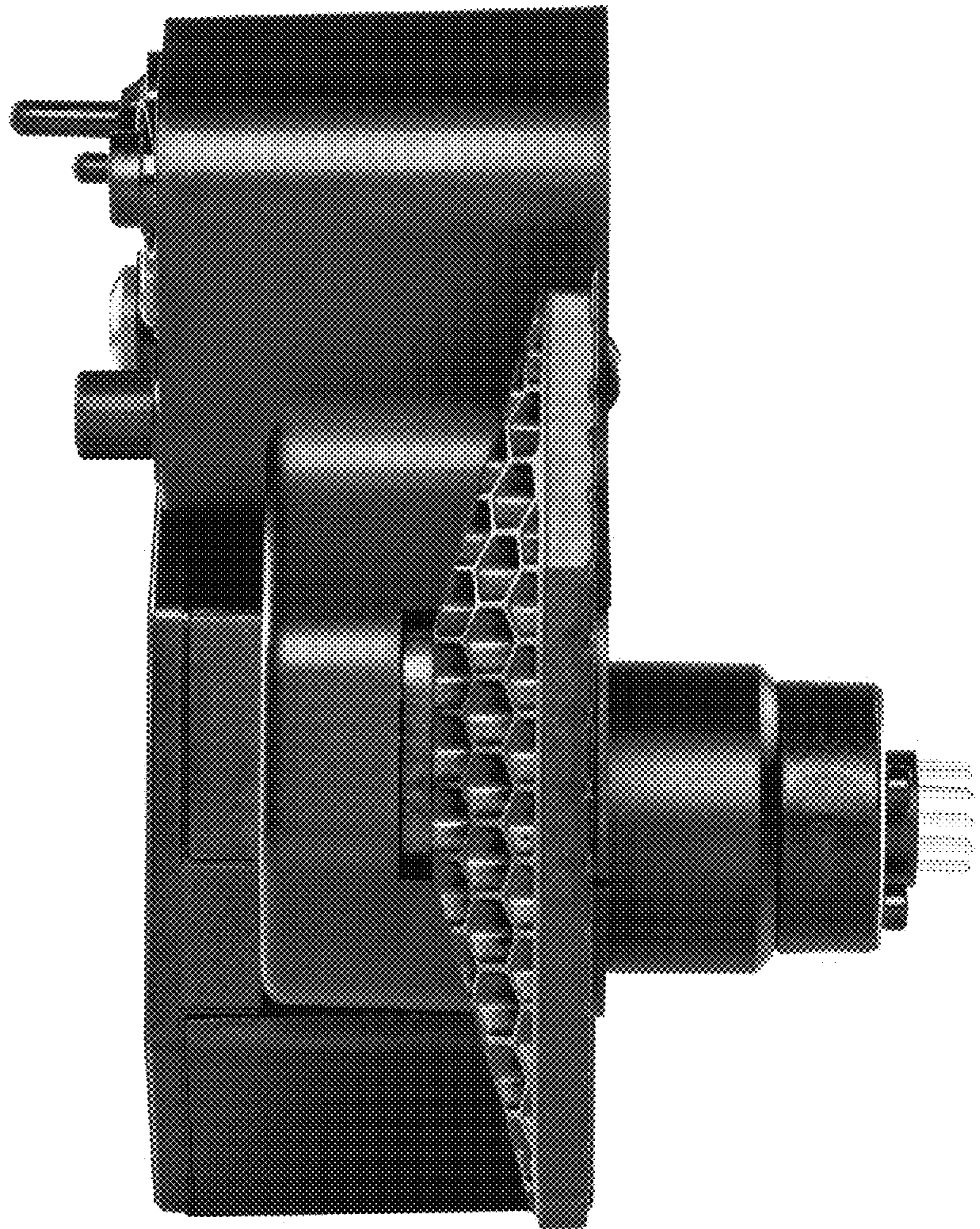
1 Claim, 7 Drawing Sheets
(7 of 7 Drawing Sheet(s) Filed in Color)



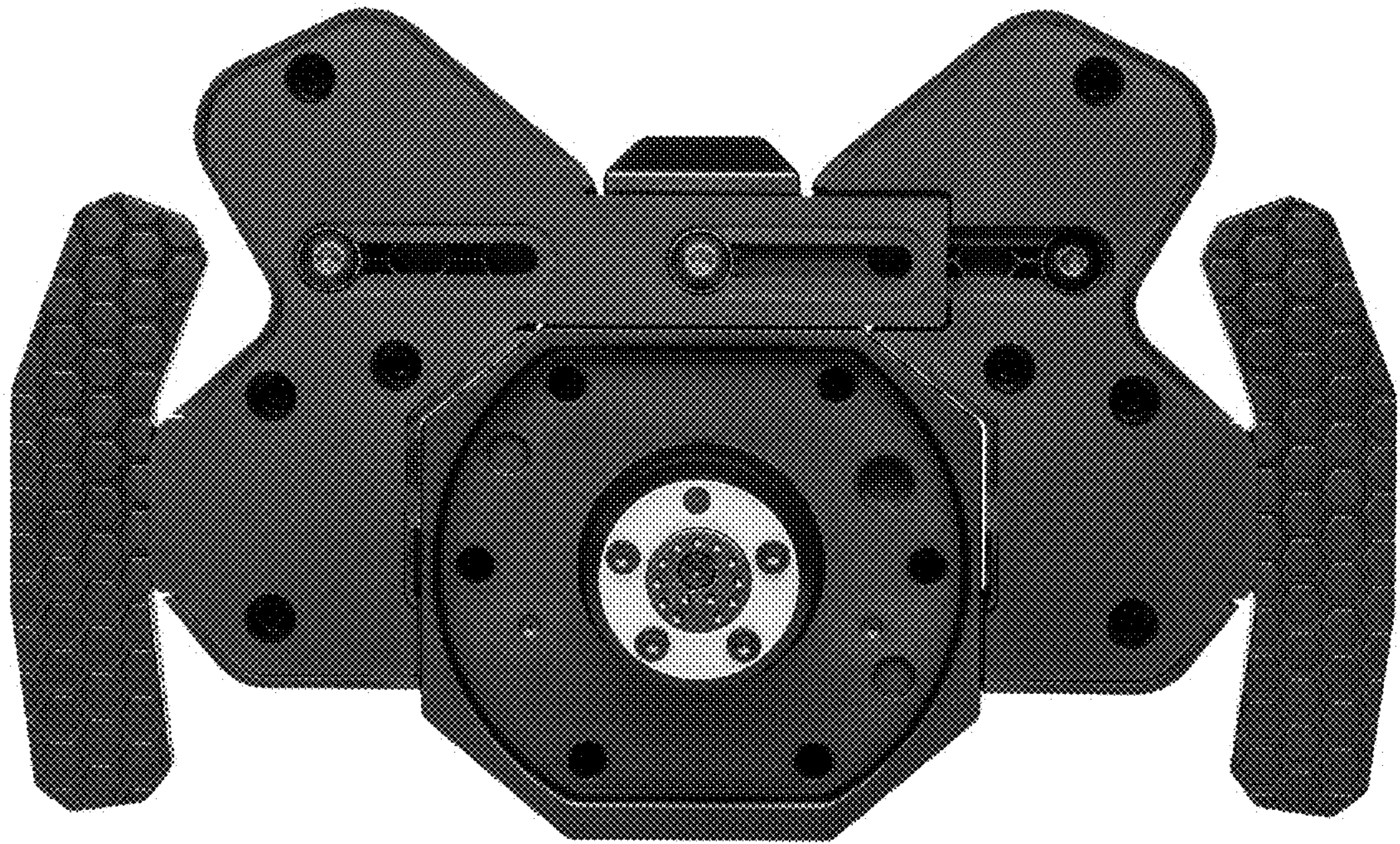
1.1



1.2



1.3



1.4



1.5



1.6



1.7

