

US00D955488S

(12) **United States Design Patent**
Nachmias et al.

(10) **Patent No.:** **US D955,488 S**

(45) **Date of Patent:** **** Jun. 21, 2022**

(54) **LEVER THUMBWHEEL**

(71) Applicant: **T.A.G. Medical Devices—Agriculture Cooperative Ltd.**, Doar-Na Oshrat (IL)

(72) Inventors: **Shai Nachmias**, Nahariya (IL); **Dror Biton**, Carmiel (IL); **Ran Weisman**, Kfar-Vradim (IL)

(73) Assignee: **T.A.G. Medical Products Corporation Ltd.**, Doar-Na Oshrat (IL)

(**) Term: **15 Years**

(21) Appl. No.: **29/721,397**

(22) Filed: **Jan. 21, 2020**

(51) **LOC (13) Cl.** **21-01**

(52) **U.S. Cl.**
USPC **D21/333**

(58) **Field of Classification Search**
USPC D21/108, 124, 132, 134, 141, 324–333;
D14/412–416; 273/148 B; 463/1, 29–35,
463/43–51; 345/156–161; 446/103, 104,
446/121, 128

CPC A63B 25/08; A63B 23/03525; A63F 9/16;
A63H 27/12

See application file for complete search history.

(56) **References Cited**

U.S. PATENT DOCUMENTS

| | | | | |
|---------------|---------|----------|-------|------------|
| D268,600 S * | 4/1983 | Lee | | D21/324 |
| D281,616 S * | 12/1985 | McGuire | | D21/457 |
| 4,928,968 A * | 5/1990 | Gebert | | A63F 9/16 |
| | | | | 273/357 |
| 5,080,624 A * | 1/1992 | Brinker | | A63H 27/12 |
| | | | | 473/588 |
| D364,199 S * | 11/1995 | Schmidt | | D21/563 |
| D366,073 S * | 1/1996 | Schmidt | | D21/488 |
| D603,457 S * | 11/2009 | Julskjer | | D21/324 |
| D630,146 S * | 1/2011 | Finnie | | D12/211 |

| | | | | |
|-----------------|---------|------------|-------|------------|
| D661,998 S * | 6/2012 | Wilcoxon | | D9/703 |
| D713,466 S * | 9/2014 | Otero | | D21/324 |
| D740,886 S * | 10/2015 | Beams | | D21/324 |
| D762,780 S * | 8/2016 | Mistry | | D14/401 |
| D762,781 S * | 8/2016 | Mistry | | D14/401 |
| D818,052 S * | 5/2018 | Liu | | D21/455 |
| D830,471 S * | 10/2018 | Guo | | D21/455 |
| D846,669 S * | 4/2019 | Adkins | | D21/698 |
| 10,449,418 B2 * | 10/2019 | Bitton | | A63B 25/08 |
| D866,880 S * | 11/2019 | Steinkraus | | D30/160 |
| D868,163 S * | 11/2019 | Mistry | | D21/333 |
| D873,924 S * | 1/2020 | Cope | | D21/443 |
| D878,481 S * | 3/2020 | Steinkraus | | D21/443 |
| D881,998 S * | 4/2020 | Lam | | D21/455 |
| D890,262 S * | 7/2020 | Mistry | | D21/333 |

(Continued)

Primary Examiner — Mehri F Bajoul

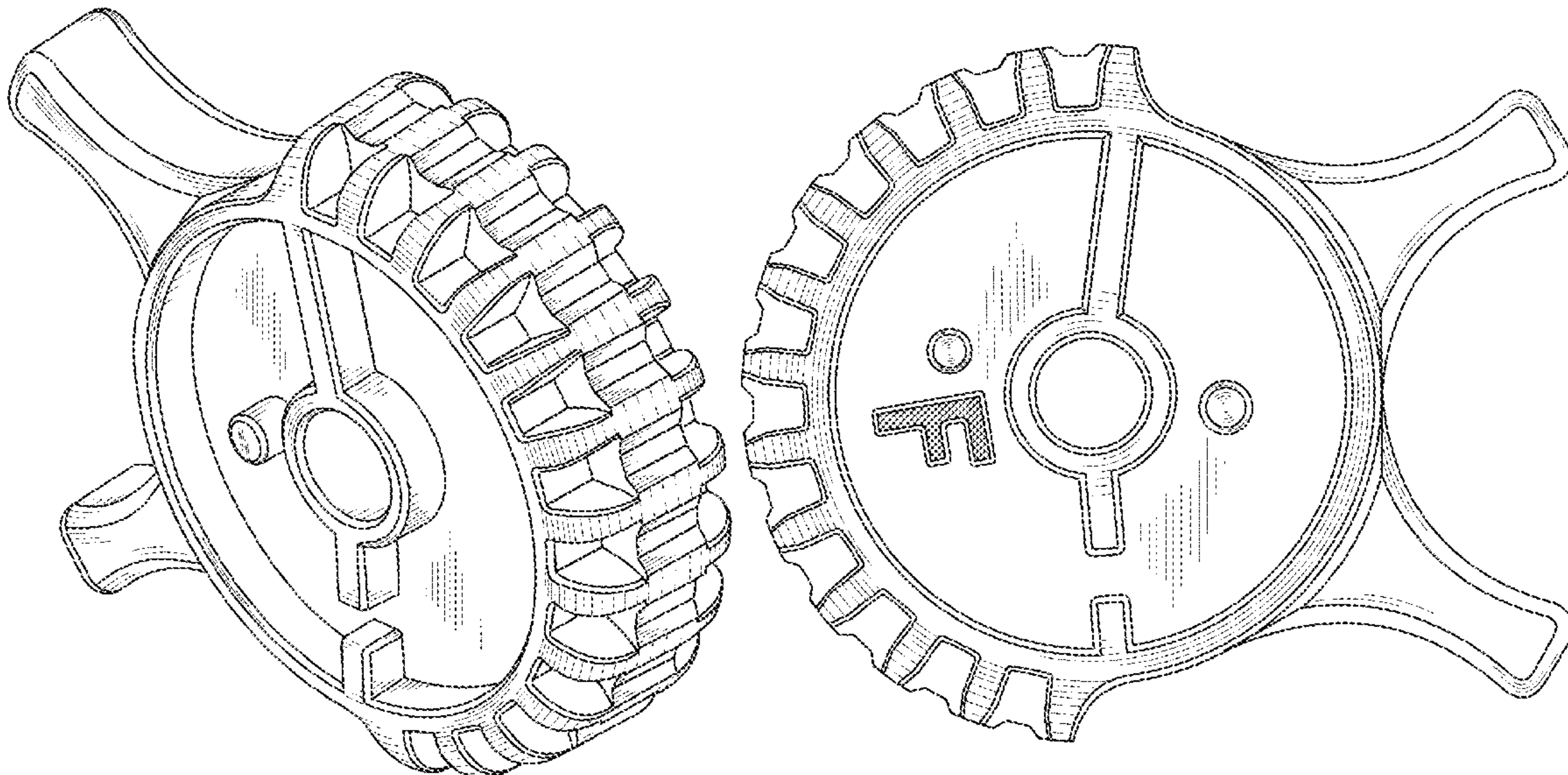
(57) **CLAIM**

The ornamental design for a lever thumbwheel, as shown and described.

DESCRIPTION

FIG. 1 is a perspective view of a lever thumbwheel, showing the first embodiment of our new design;
 FIG. 2 is a left side view thereof;
 FIG. 3 is a top view thereof;
 FIG. 4 is a rear view thereof;
 FIG. 5 is a bottom view thereof;
 FIG. 6 is a front view thereof;
 FIG. 7 is a right side view thereof;
 FIG. 8 is a perspective view of a second embodiment, showing our new design;
 FIG. 9 is a left side view thereof;
 FIG. 10 is a top view thereof;
 FIG. 11 is a rear view thereof;
 FIG. 12 is a bottom view thereof;
 FIG. 13 is a front view thereof; and,
 FIG. 14 is a right side view thereof.

1 Claim, 14 Drawing Sheets



(56)

References Cited

U.S. PATENT DOCUMENTS

D924,722 S * 7/2021 Deng D21/468
D929,619 S * 8/2021 Cavello D26/23

* cited by examiner

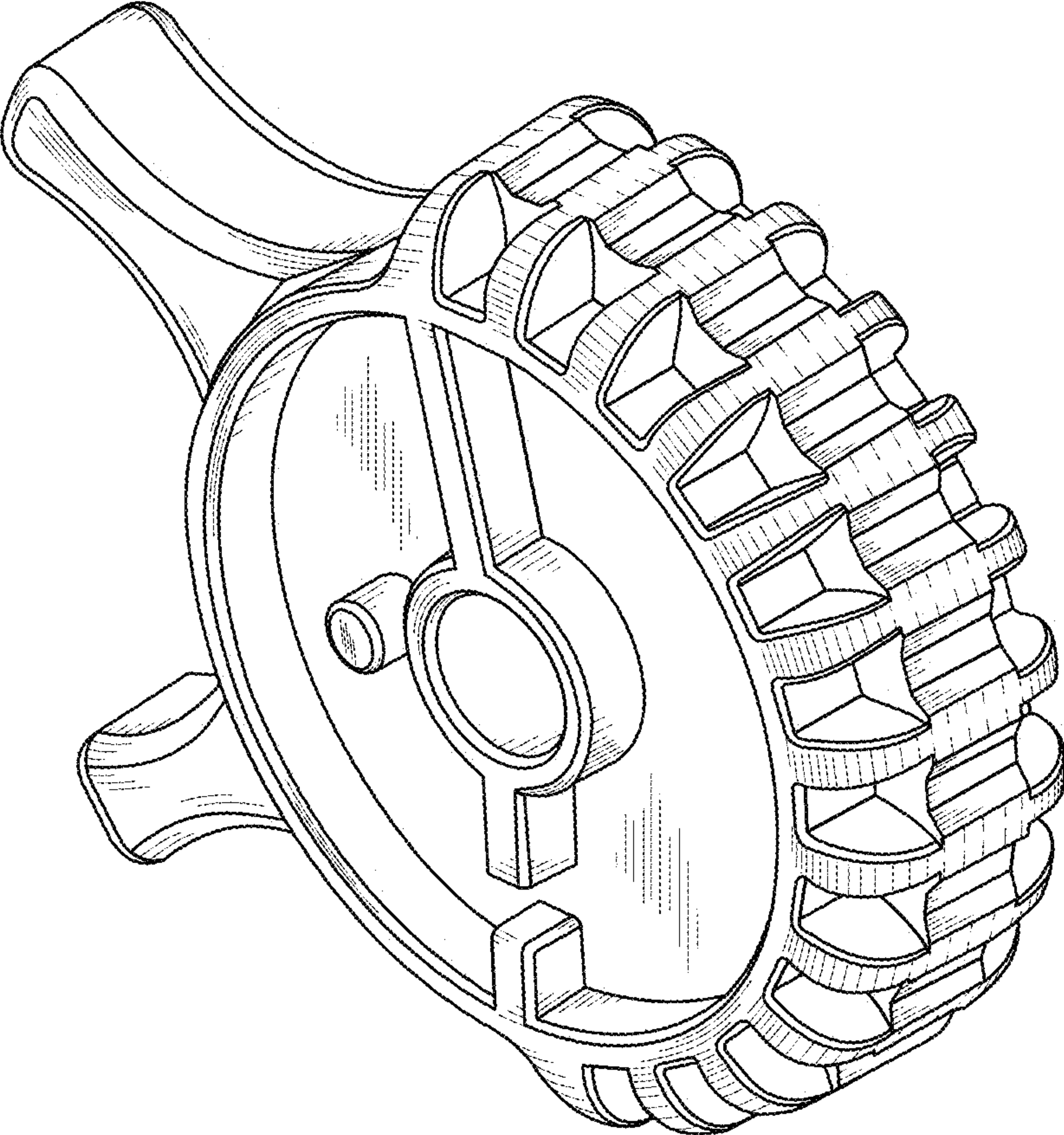


FIG. 1

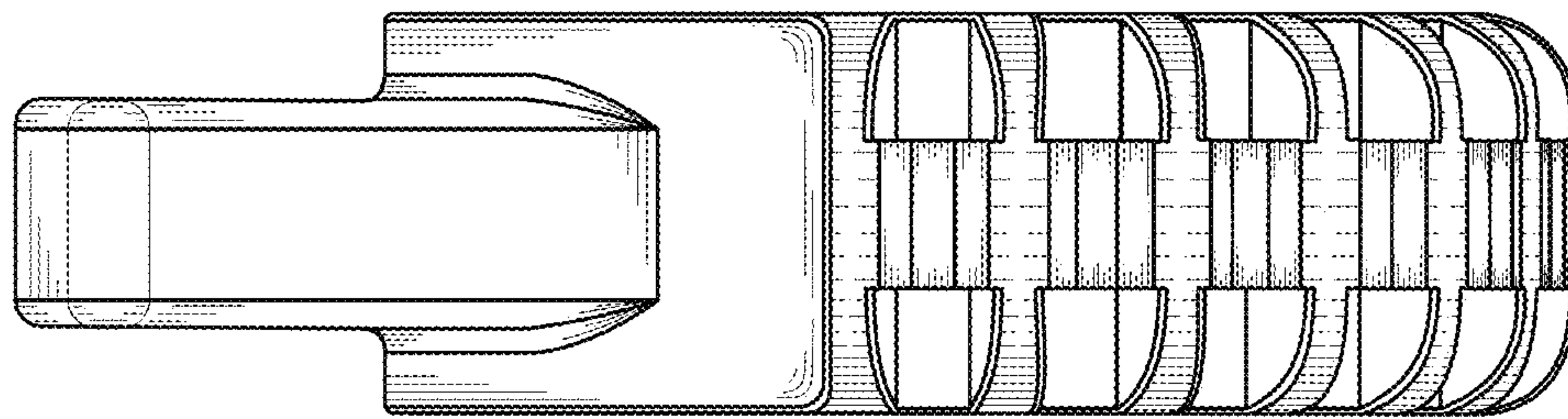


FIG. 2

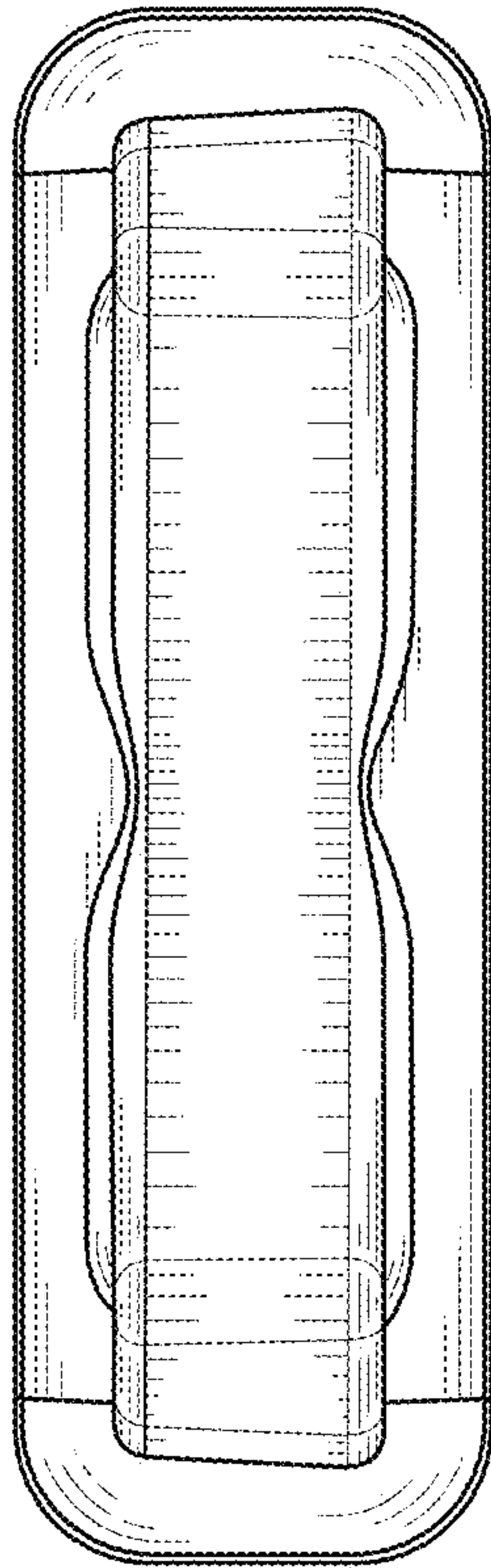


FIG. 3

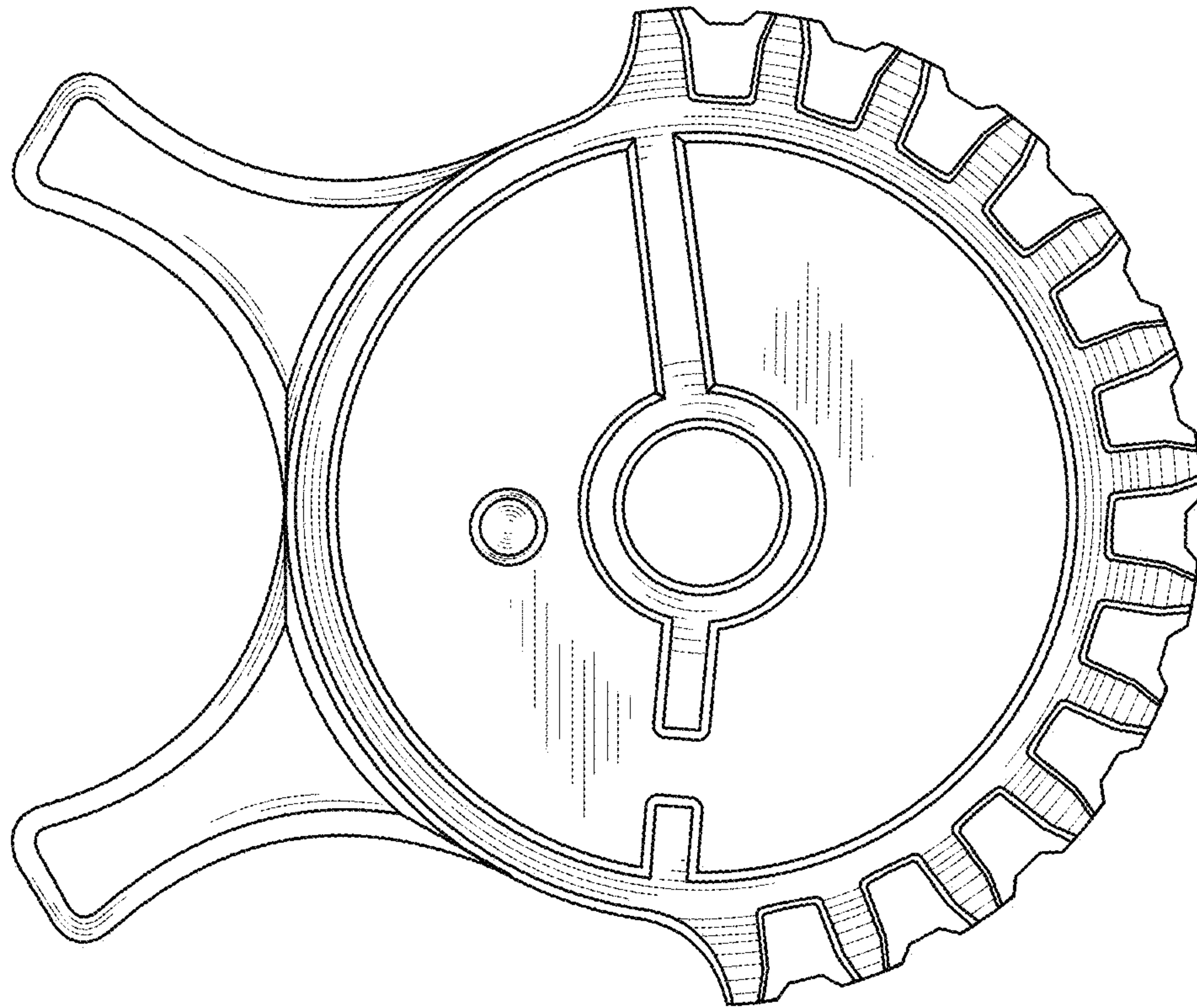


FIG. 4

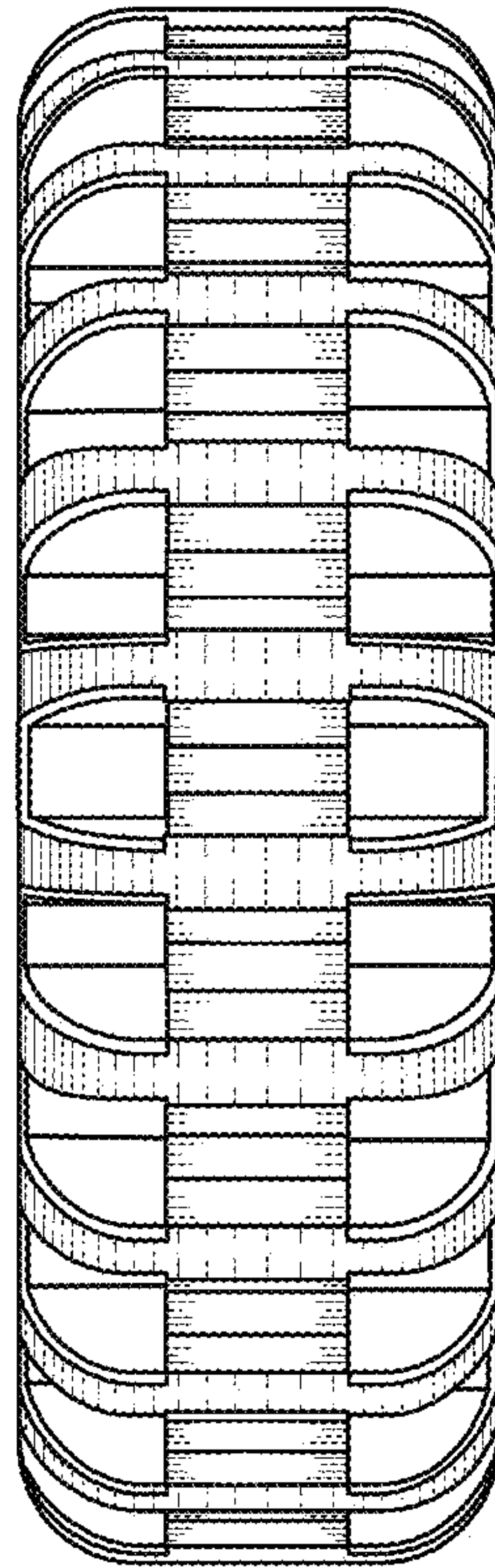


FIG. 5

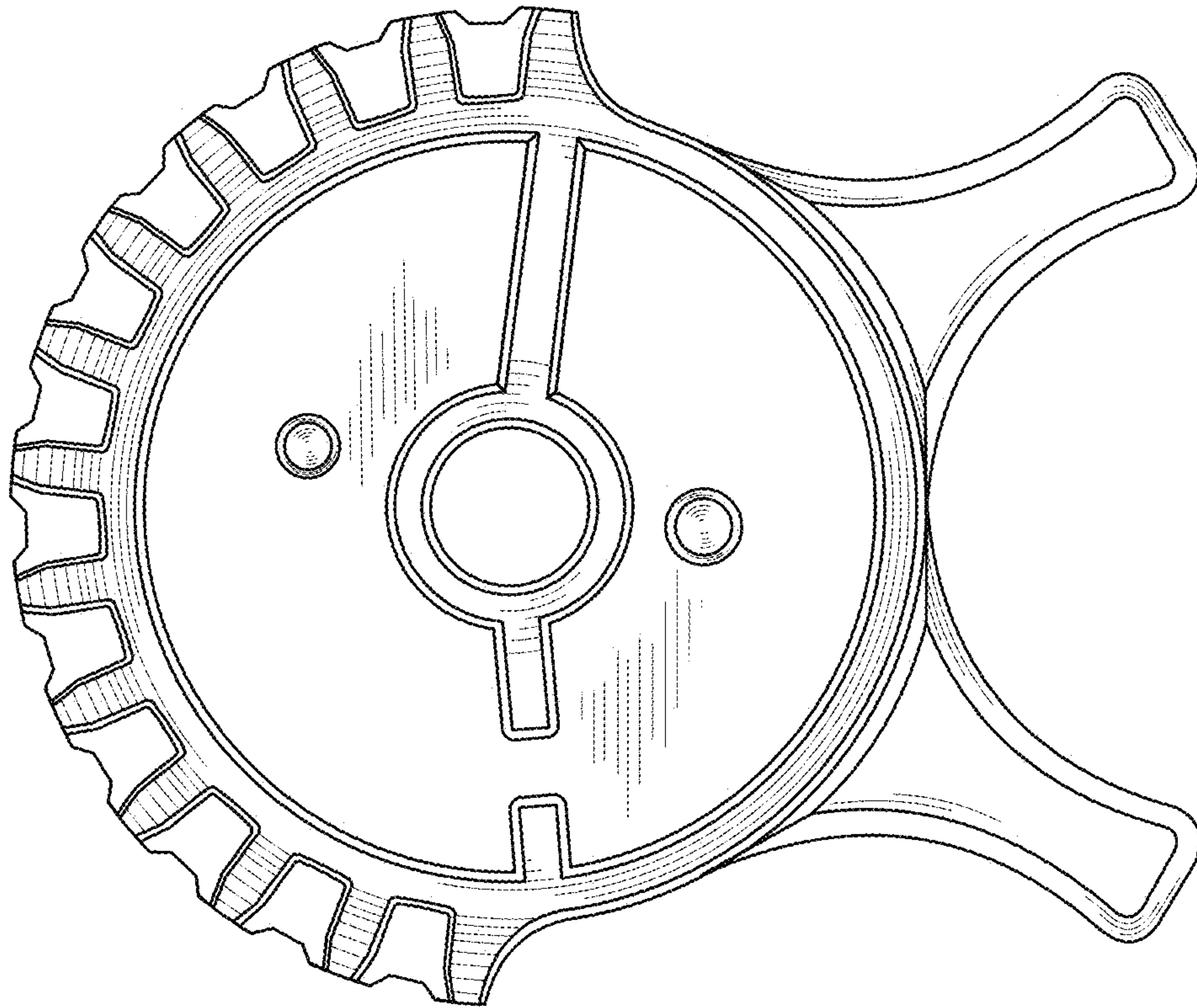


FIG. 6

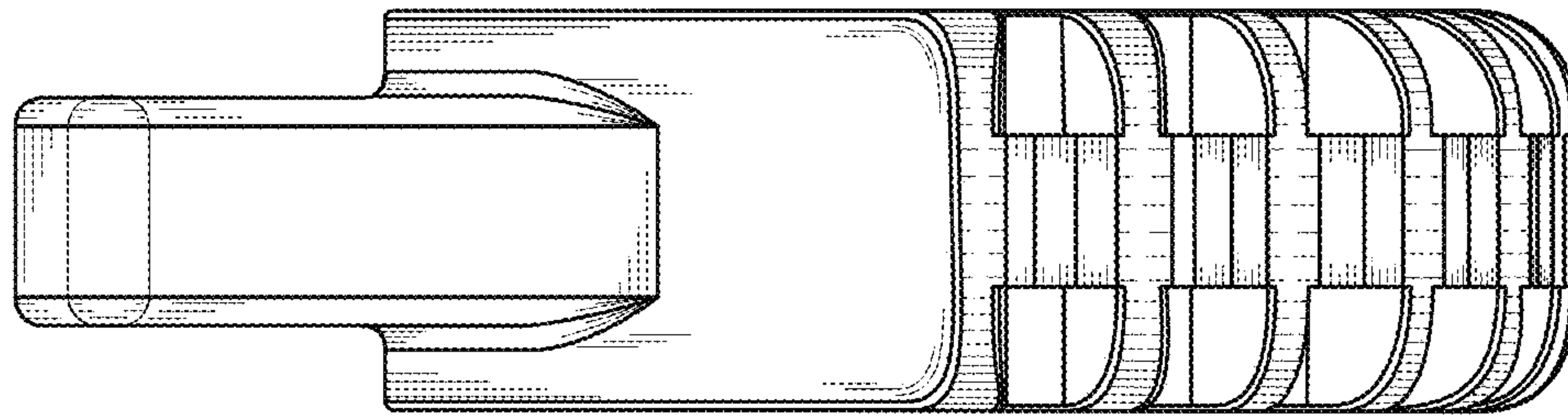


FIG. 7

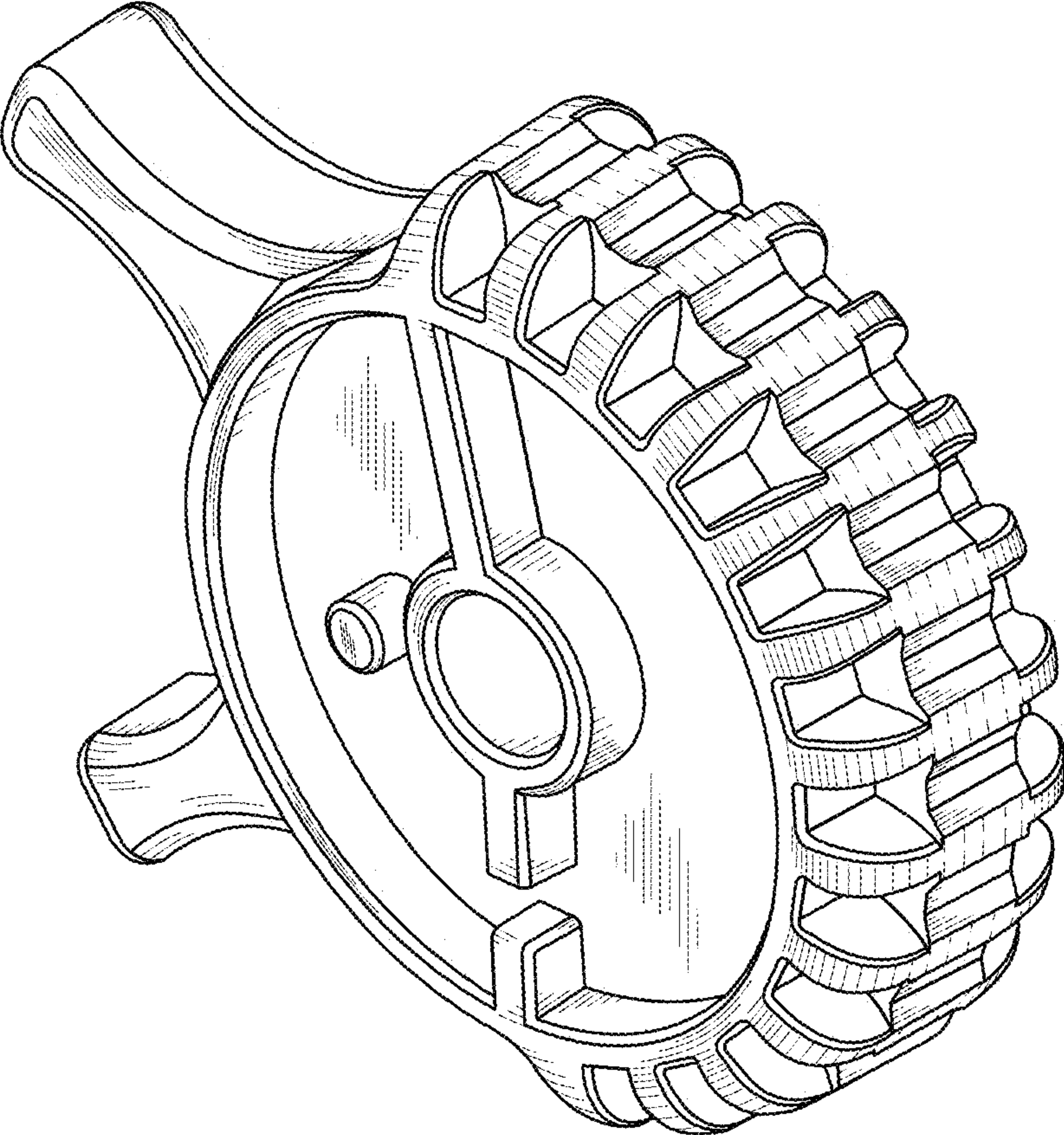


FIG. 8

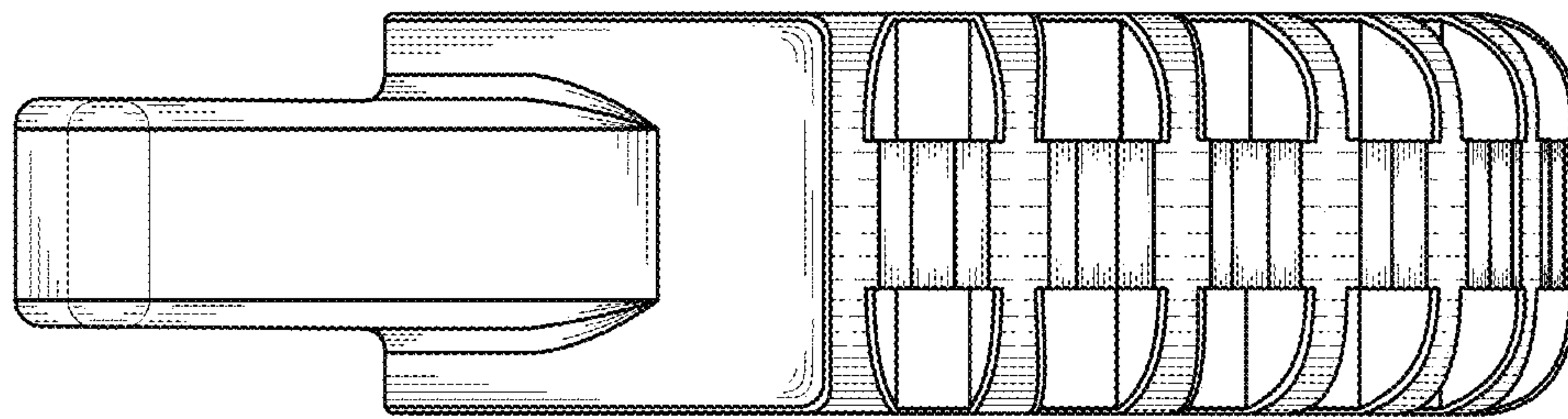


FIG. 9

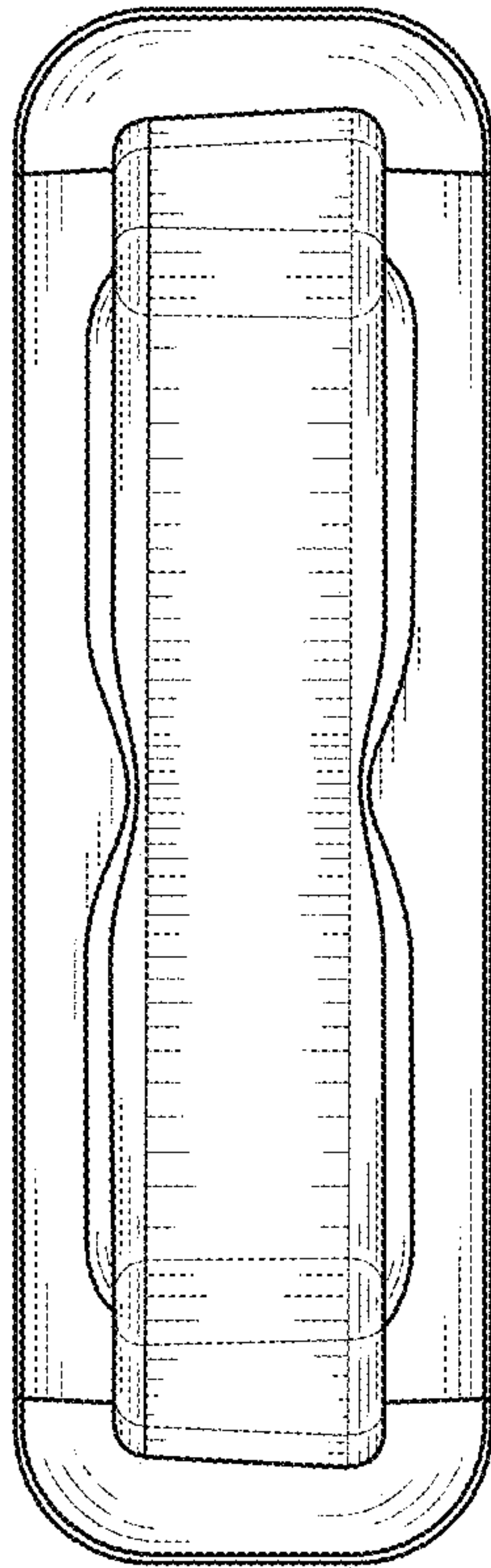


FIG. 10

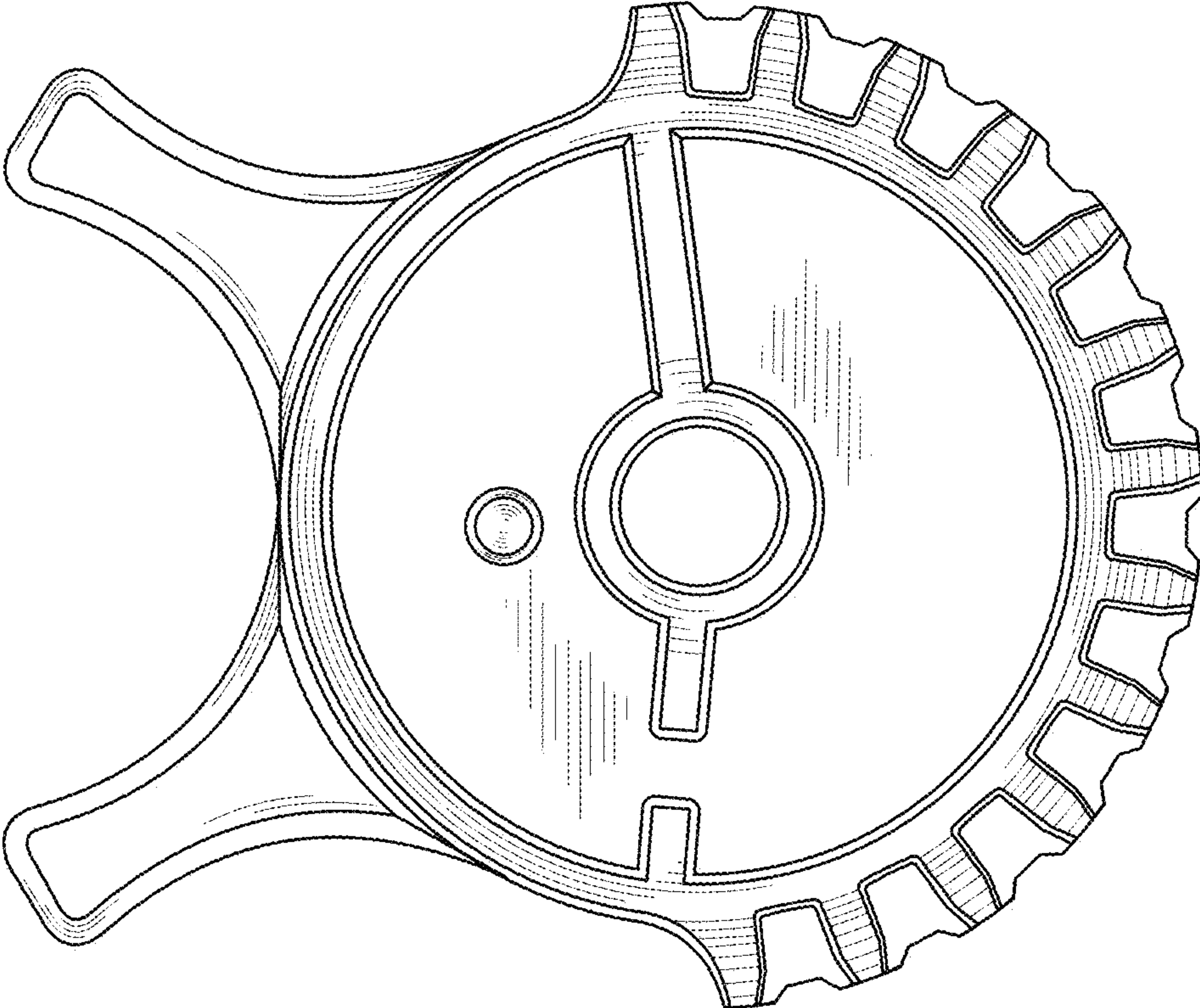


FIG. 11

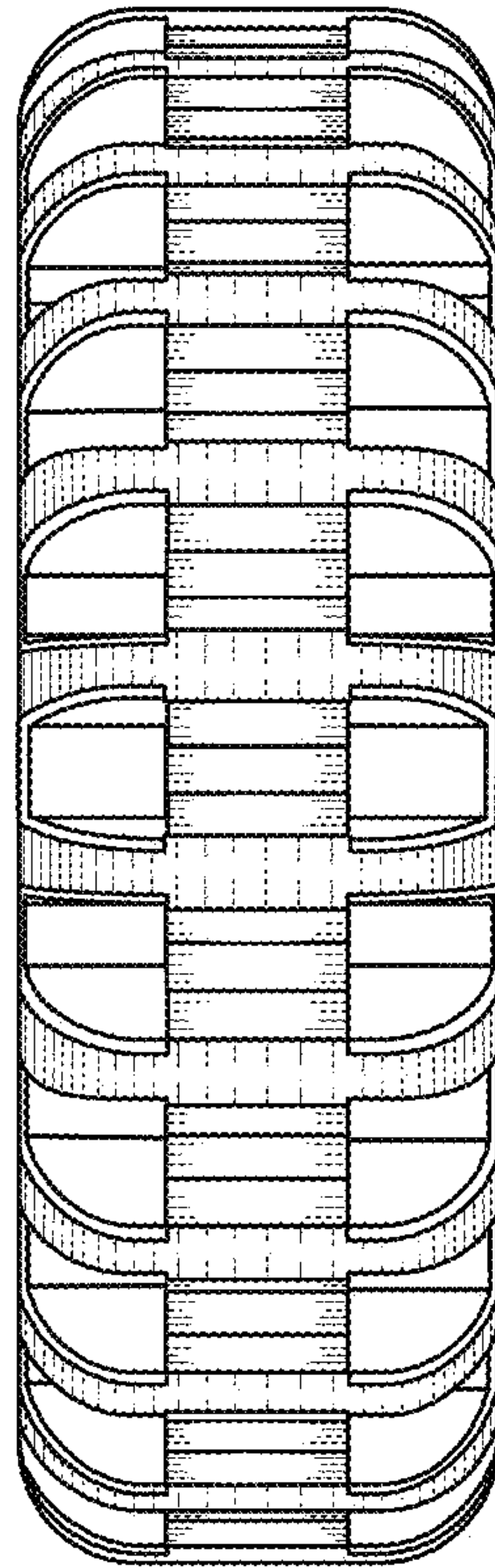


FIG. 12

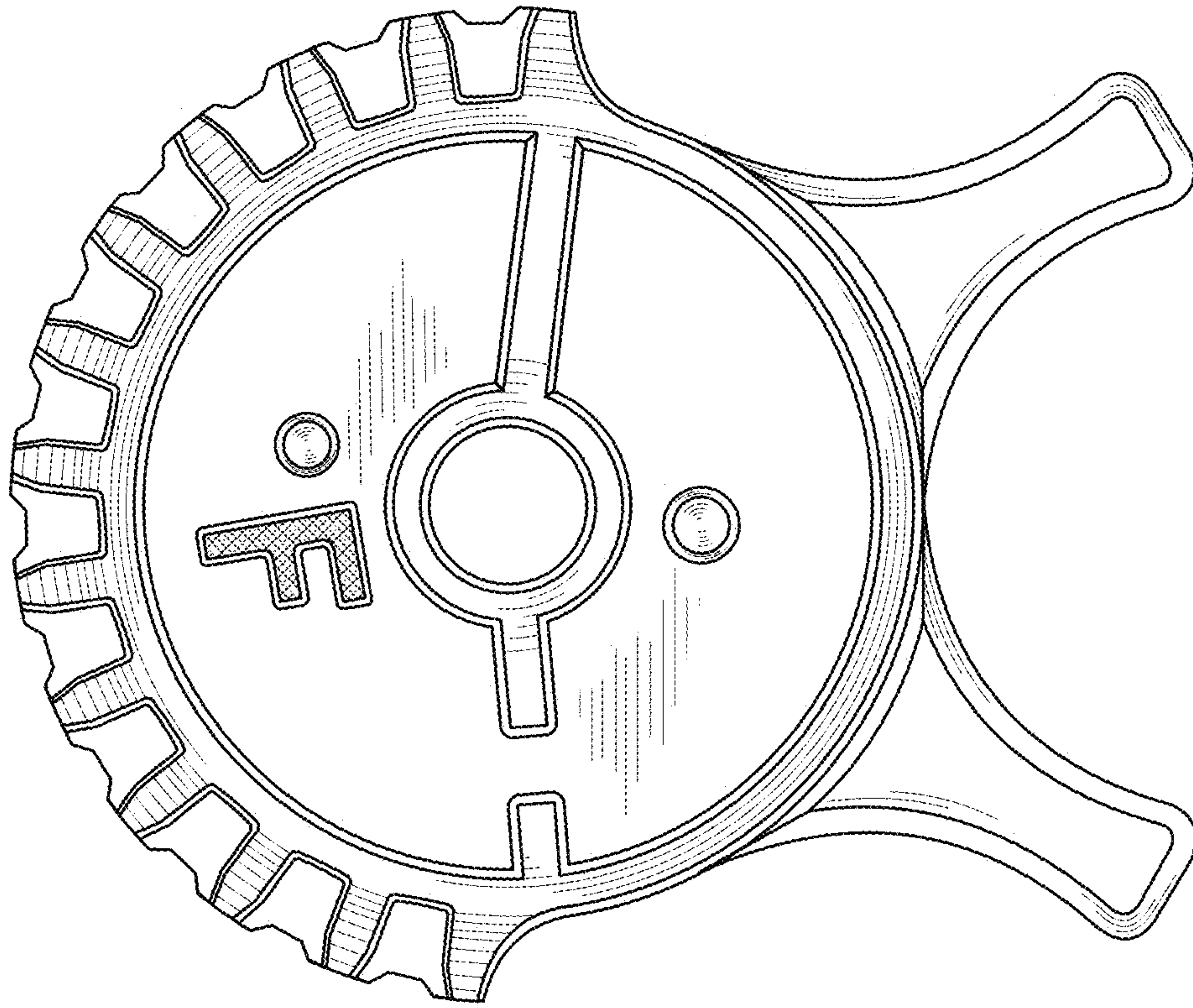


FIG. 13

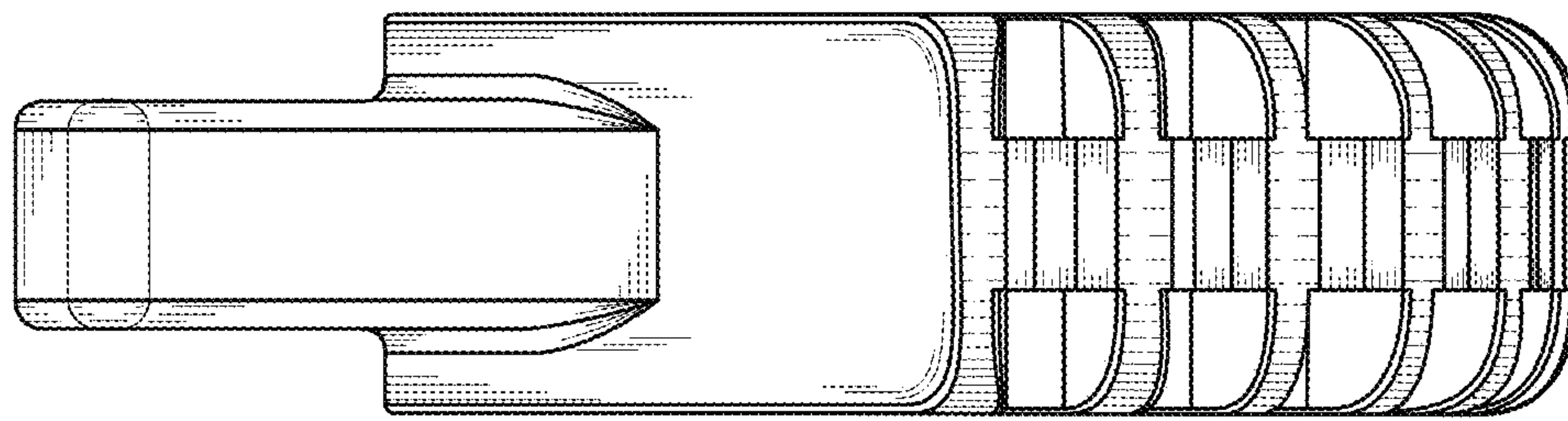


FIG. 14