



US00D955484S

(12) **United States Design Patent**
Wolters

(10) **Patent No.:** **US D955,484 S**

(45) **Date of Patent:** **** Jun. 21, 2022**

(54) **BEAN BAG TOSSING GAME**
(71) Applicant: **Mark Theodore Wolters**, Encino, CA
(US)
(72) Inventor: **Mark Theodore Wolters**, Encino, CA
(US)
(**) Term: **15 Years**

D860,324 S	*	9/2019	Kennedy	D21/303
D868,916 S	*	12/2019	Engler	D21/303
D868,917 S	*	12/2019	Engler	D21/303
D873,919 S	*	1/2020	Emmerson	D21/303
D876,548 S	*	2/2020	Wolters	D21/302
D876,549 S	*	2/2020	Wolters	D21/302
D877,256 S	*	3/2020	Engler	D21/303
D907,118 S	*	1/2021	Wolters	D21/303
D910,757 S	*	2/2021	Green	D21/303
D939,631 S	*	12/2021	Wolters	D21/303

* cited by examiner

(21) Appl. No.: **29/761,496**
(22) Filed: **Dec. 9, 2020**
(51) **LOC (13) Cl.** **21-01**
(52) **U.S. Cl.**
USPC **D21/303**
(58) **Field of Classification Search**
USPC D21/300, 301, 302, 303, 304, 305, 309,
D21/310, 312, 313, 314, 315, 699, 701,
D21/702, 703, 704, 705, 706, 707, 708,
D21/759, 781, 789
CPC A63B 65/00; A63B 1/00; A63B 67/00;
A63B 63/00; A63B 63/04; A63B 63/045;
A63B 63/08; A63B 67/06; A63F 1/067;
A47B 25/00
See application file for complete search history.

Primary Examiner — Mehri F Bajoul

(57) **CLAIM**

The ornamental design for a bean bag tossing game, as shown and described.

DESCRIPTION

FIG. 1: Top plan view of a bean bag tossing game;
FIG. 2: Bottom plan view of the bean bag tossing game shown in FIG. 1;
FIG. 3: Left-side view of the bean bag tossing game shown in FIG. 1;
FIG. 4: Right-side view of the bean bag tossing game shown in FIG. 1;
FIG. 5: Front plan view of the bean bag tossing game shown in FIG. 1;
FIG. 6: Rear plan view of the bean bag tossing game shown in FIG. 1; and,
FIG. 7: Top perspective view of the bean bag tossing game shown in FIG. 1.

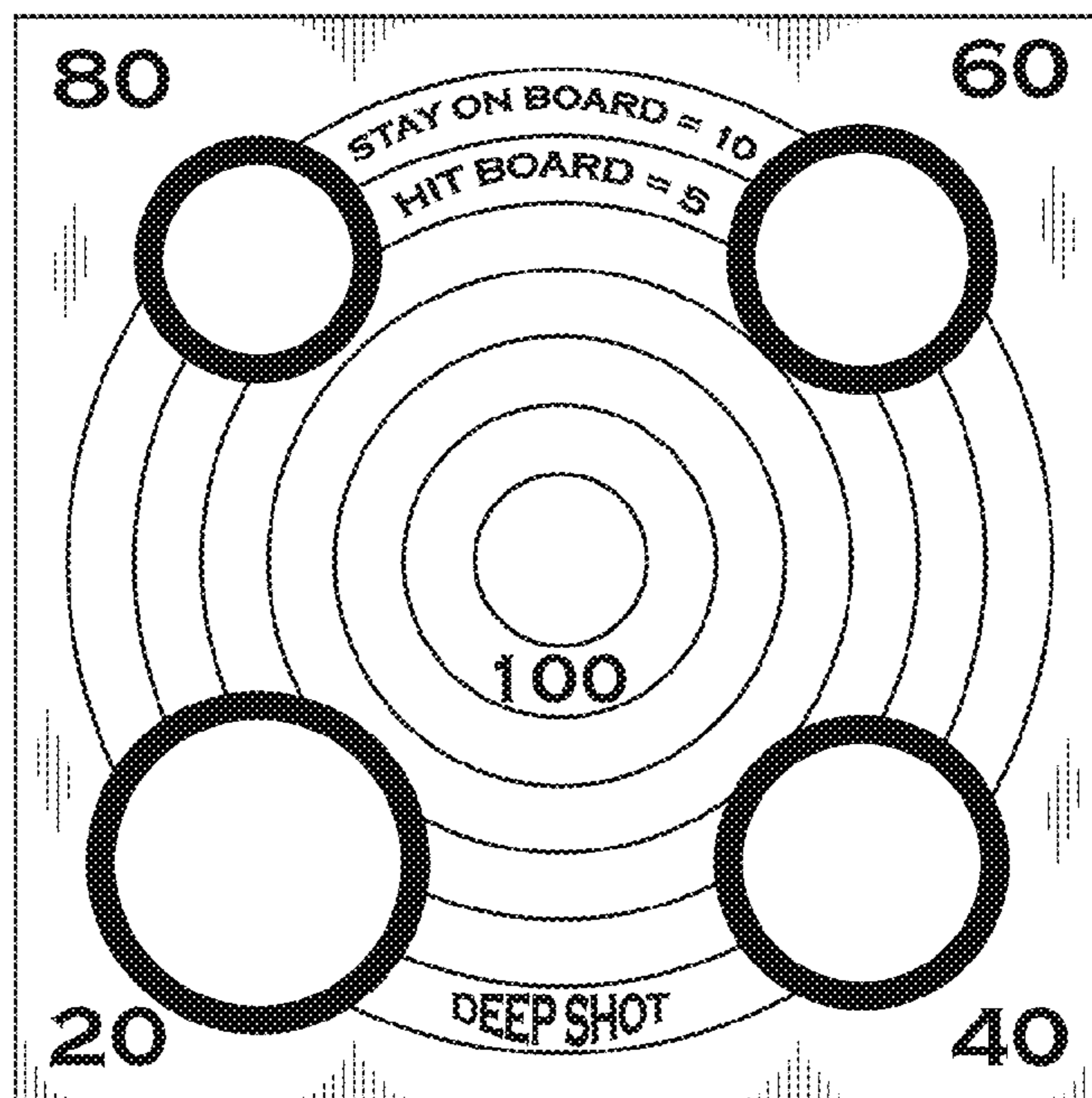
The terms “Deep Shot”, forming part of the claimed design, is a registered trademark of Mark Theodor Wolters. The evenly dash-dash broken lines in the drawings depict environmental structure of the bean bag tossing game that form no part of the claimed design.

(56) **References Cited**

U.S. PATENT DOCUMENTS

D239,949 S	*	5/1976	Trombetta, Jr.	D21/303
D245,931 S	*	9/1977	Alter	D21/303
D281,084 S	*	10/1985	Norton	D21/303
D330,227 S	*	10/1992	Franklin	D21/303
D605,718 S	*	12/2009	Jenkins	D21/698
D706,353 S	*	6/2014	Montenare	D21/303
D706,354 S	*	6/2014	Montenare	D21/303
D797,195 S	*	9/2017	Stack	D21/314
D808,465 S	*	1/2018	Wolters	D21/303

1 Claim, 4 Drawing Sheets



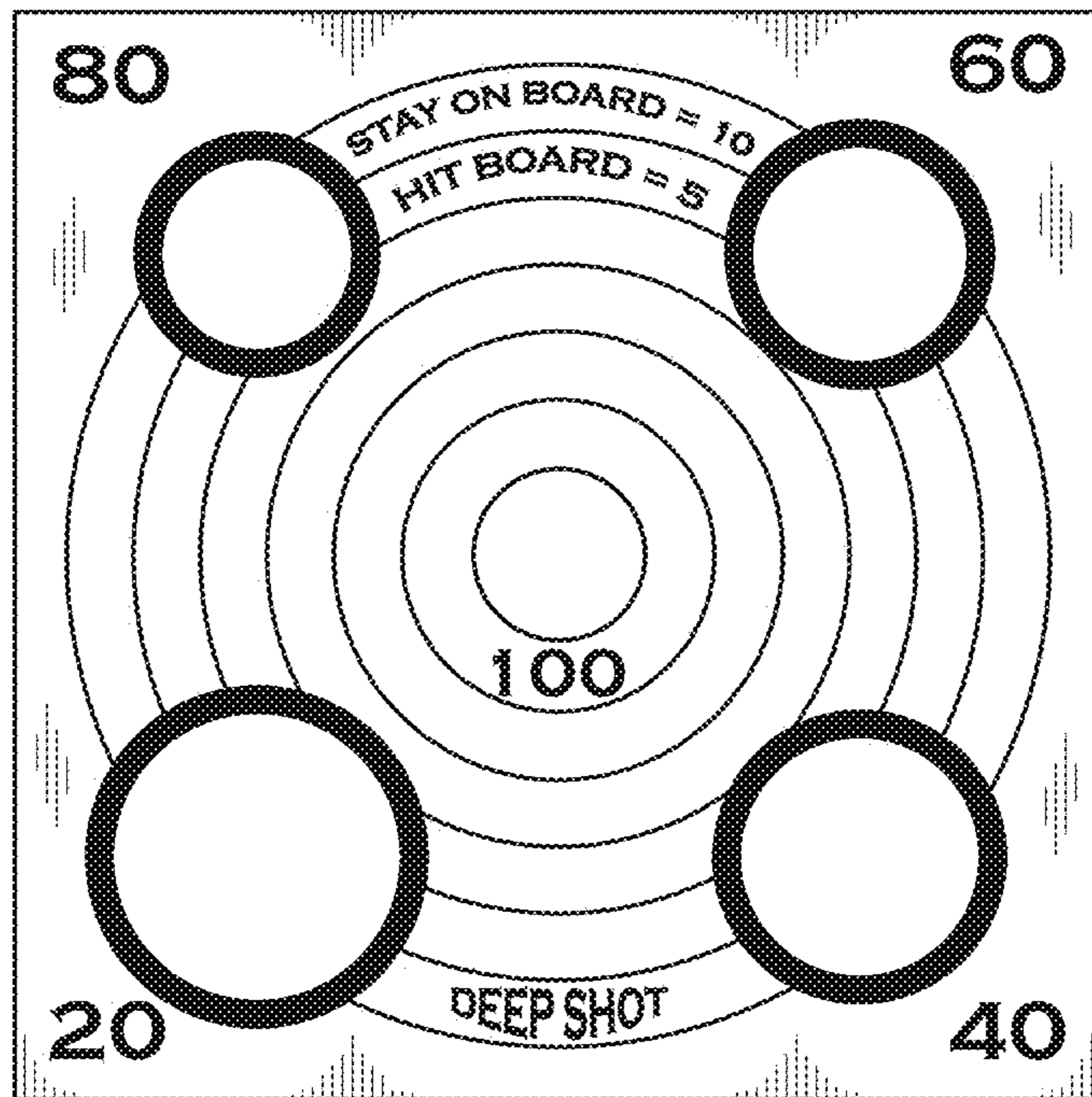


FIG. 1

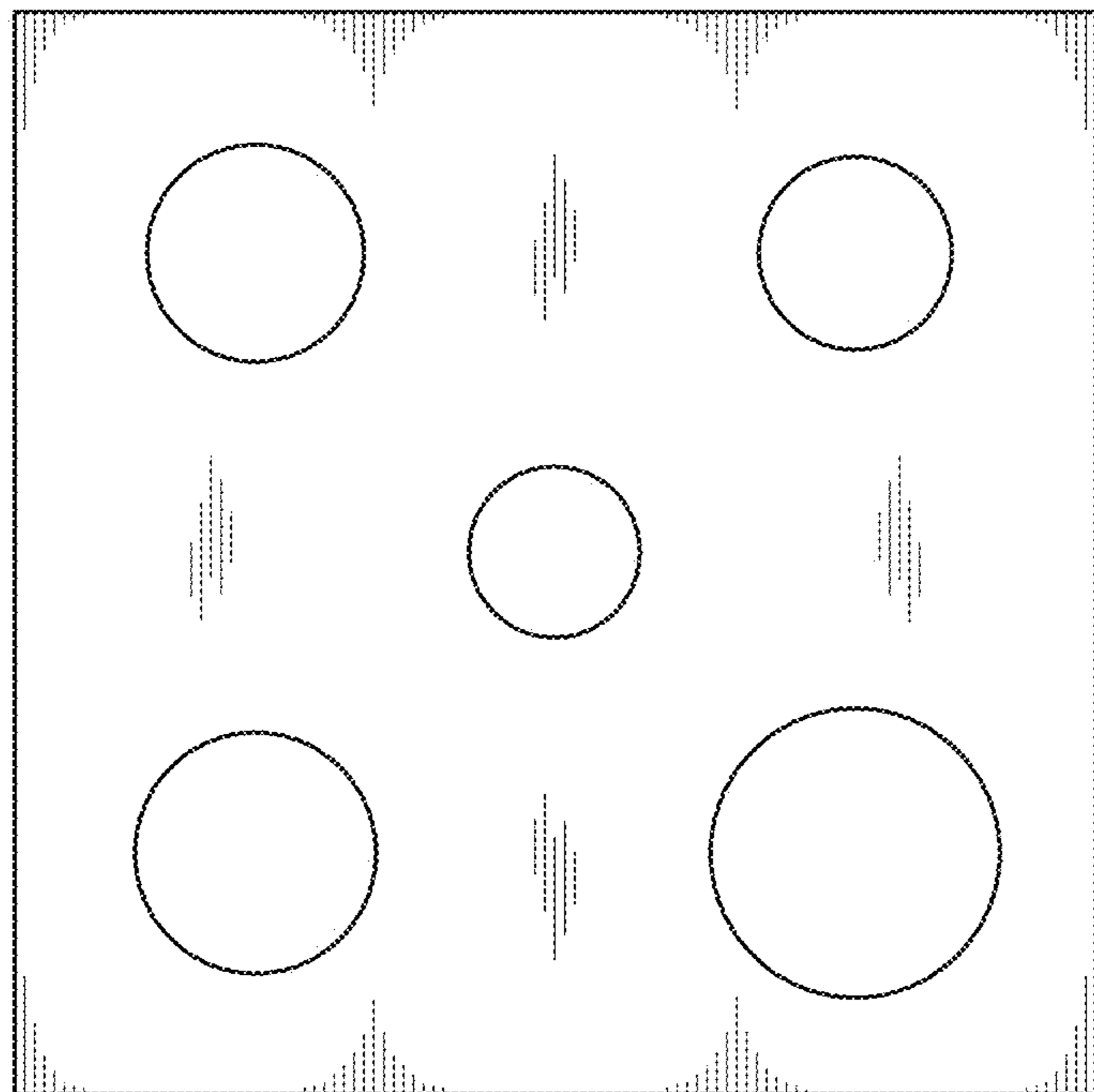


FIG. 2

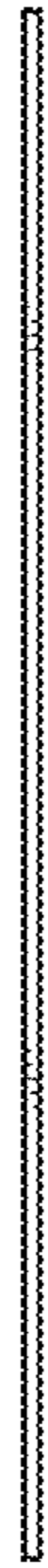


FIG. 3

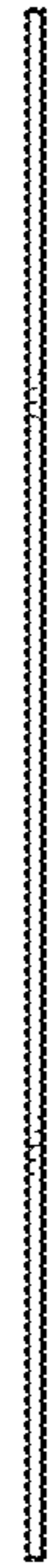


FIG. 4

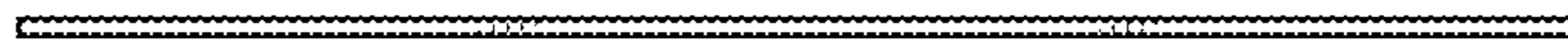


FIG. 5



FIG. 6

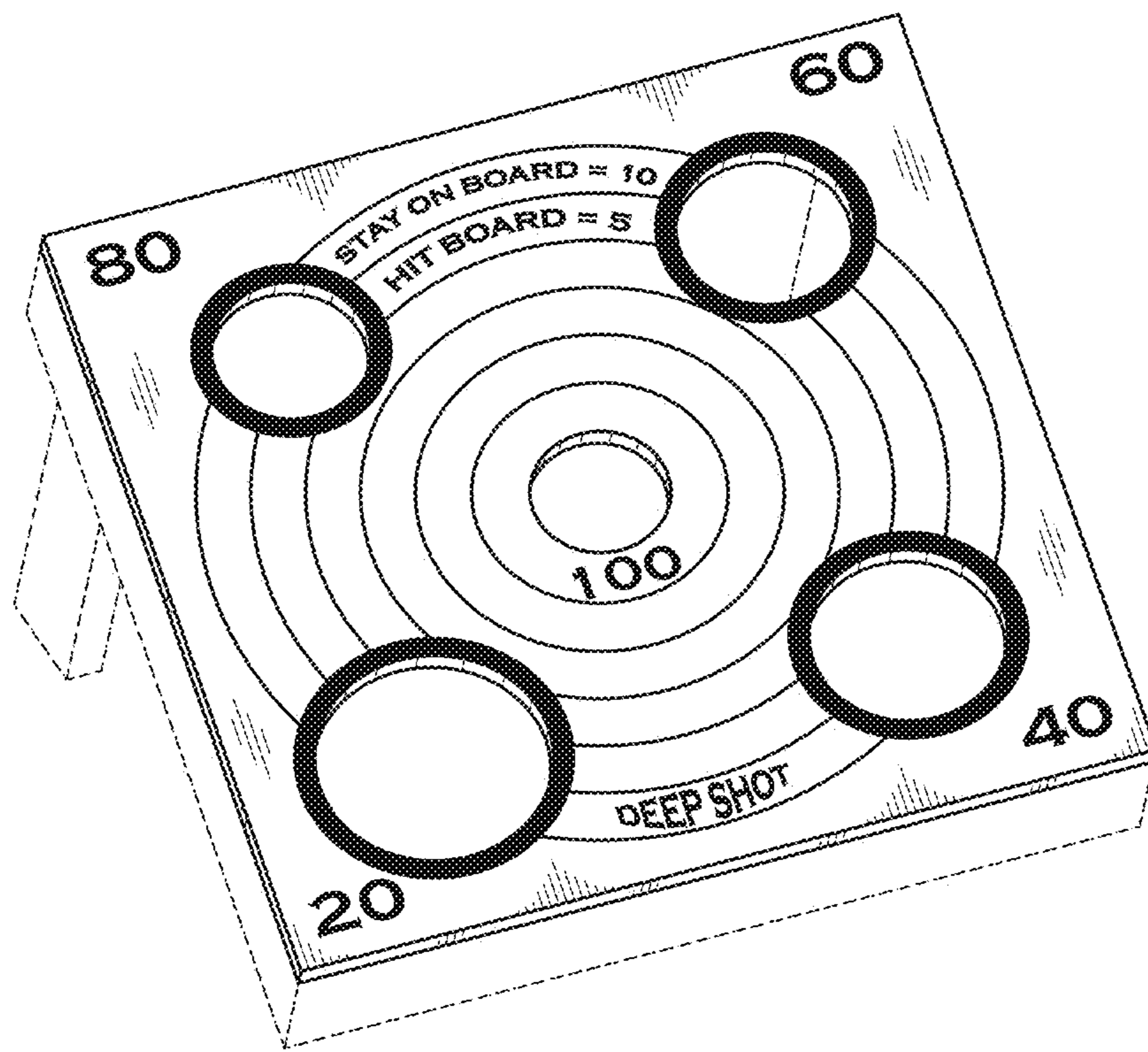


FIG. 7