



US00D955483S

(12) **United States Design Patent**
Wolters

(10) **Patent No.:** **US D955,483 S**
(45) **Date of Patent:** **** Jun. 21, 2022**

(54) **BASKETBALL BEAN BAG TOSSING GAME**
(71) Applicant: **Mark Theodore Wolters**, Encino, CA
(US)
(72) Inventor: **Mark Theodore Wolters**, Encino, CA
(US)
(**) Term: **15 Years**

D860,324 S *	9/2019	Kennedy	D21/303
D868,916 S *	12/2019	Engler	D21/303
D868,917 S *	12/2019	Engler	D21/303
D873,919 S *	1/2020	Emmerson	D21/303
D876,548 S *	2/2020	Wolters	D21/302
D876,549 S *	2/2020	Wolters	D21/302
D877,256 S *	3/2020	Engler	D21/303
D907,118 S *	1/2021	Wolters	D21/303
D910,757 S *	2/2021	Green	D21/303
D939,631 S *	12/2021	Wolters	D21/303

* cited by examiner

(21) Appl. No.: **29/761,491**

(22) Filed: **Dec. 9, 2020**

(51) **LOC (13) Cl.** **21-01**

(52) **U.S. Cl.**
USPC **D21/303**

(58) **Field of Classification Search**
USPC D21/300, 301, 302, 303, 304, 305, 309,
D21/310, 312, 313, 314, 315, 699, 701,
D21/702, 703, 704, 705, 706, 707, 708,
D21/759, 781, 789
CPC A63B 65/00; A63B 1/00; A63B 67/00;
A63B 63/00; A63B 63/04; A63B 63/045;
A63B 63/08; A63B 67/06; A63F 1/067;
A47B 25/00
See application file for complete search history.

(56) **References Cited**

U.S. PATENT DOCUMENTS

D239,949 S *	5/1976	Trombetta, Jr.	D21/303
D245,931 S *	9/1977	Alter	D21/303
D281,084 S *	10/1985	Norton	D21/303
D330,227 S *	10/1992	Franklin	D21/303
D605,718 S *	12/2009	Jenkins	D21/698
D706,353 S *	6/2014	Montenare	D21/303
D706,354 S *	6/2014	Montenare	D21/303
D797,195 S *	9/2017	Stack	D21/314
D808,465 S *	1/2018	Wolters	D21/303

Primary Examiner — Mehri F Bajoul

(57) **CLAIM**

The ornamental design for a basketball bean bag tossing game, as shown and described.

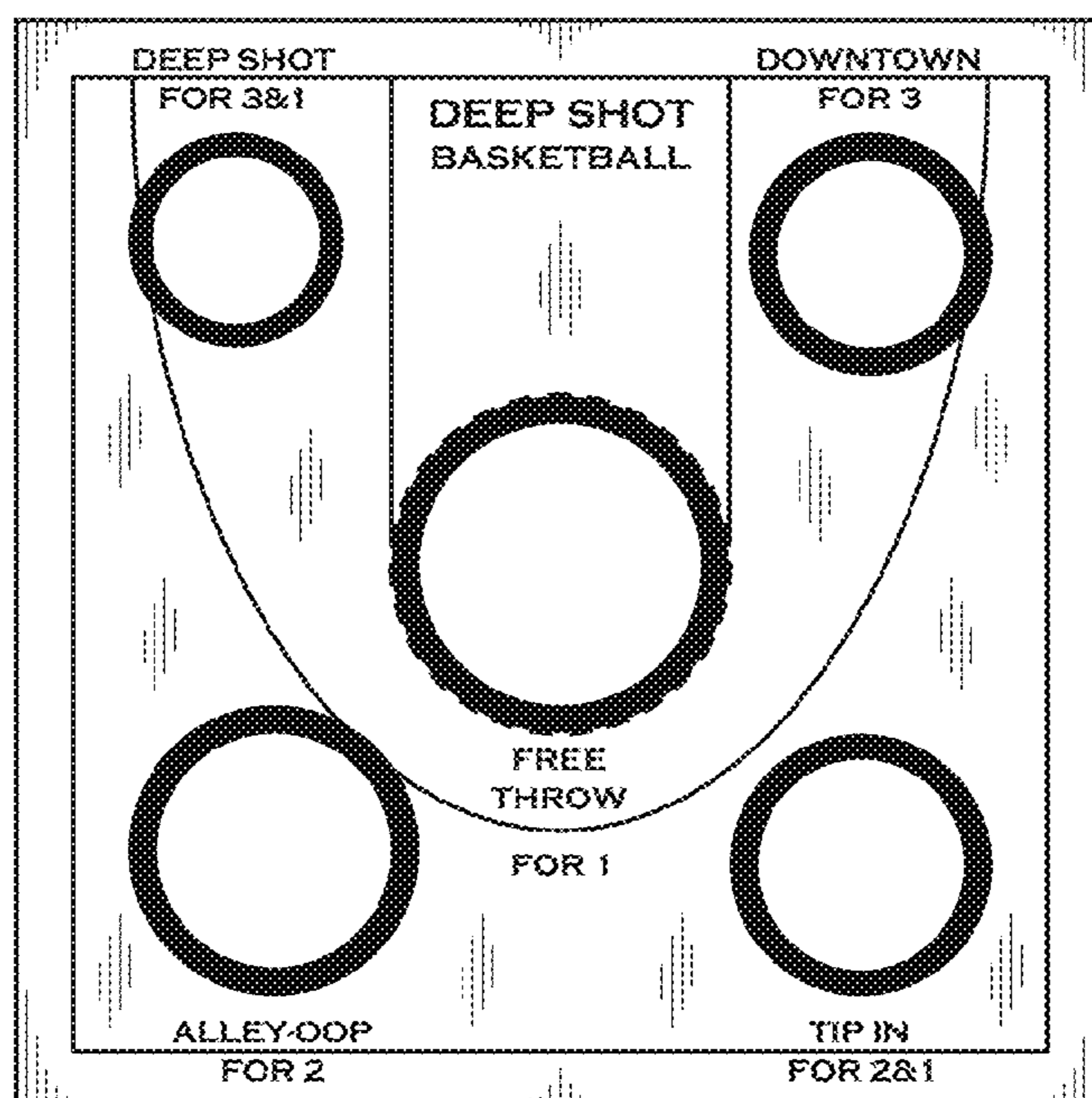
DESCRIPTION

FIG. 1: Top plan view of a basketball bean bag tossing game;
FIG. 2: Bottom plan view of the basketball bean bag tossing game shown in FIG. 1;
FIG. 3: Left-side view of the basketball bean bag tossing game shown in FIG. 1;
FIG. 4: Right-side view of the basketball bean bag tossing game shown in FIG. 1;
FIG. 5: Front plan view of the basketball bean bag tossing game shown in FIG. 1;
FIG. 6: Rear plan view of the basketball bean bag tossing game shown in FIG. 1; and,
FIG. 7: Top perspective view of the basketball bean bag tossing game shown in FIG. 1.

The evenly dash-dash broken lines in the drawings depict environmental structure of the basketball bean bag tossing game that form no part of the claimed design.

The terms “Deep Shot”, forming part of the claimed design, is a registered trademark of Mark Theodor Wolters.

1 Claim, 4 Drawing Sheets



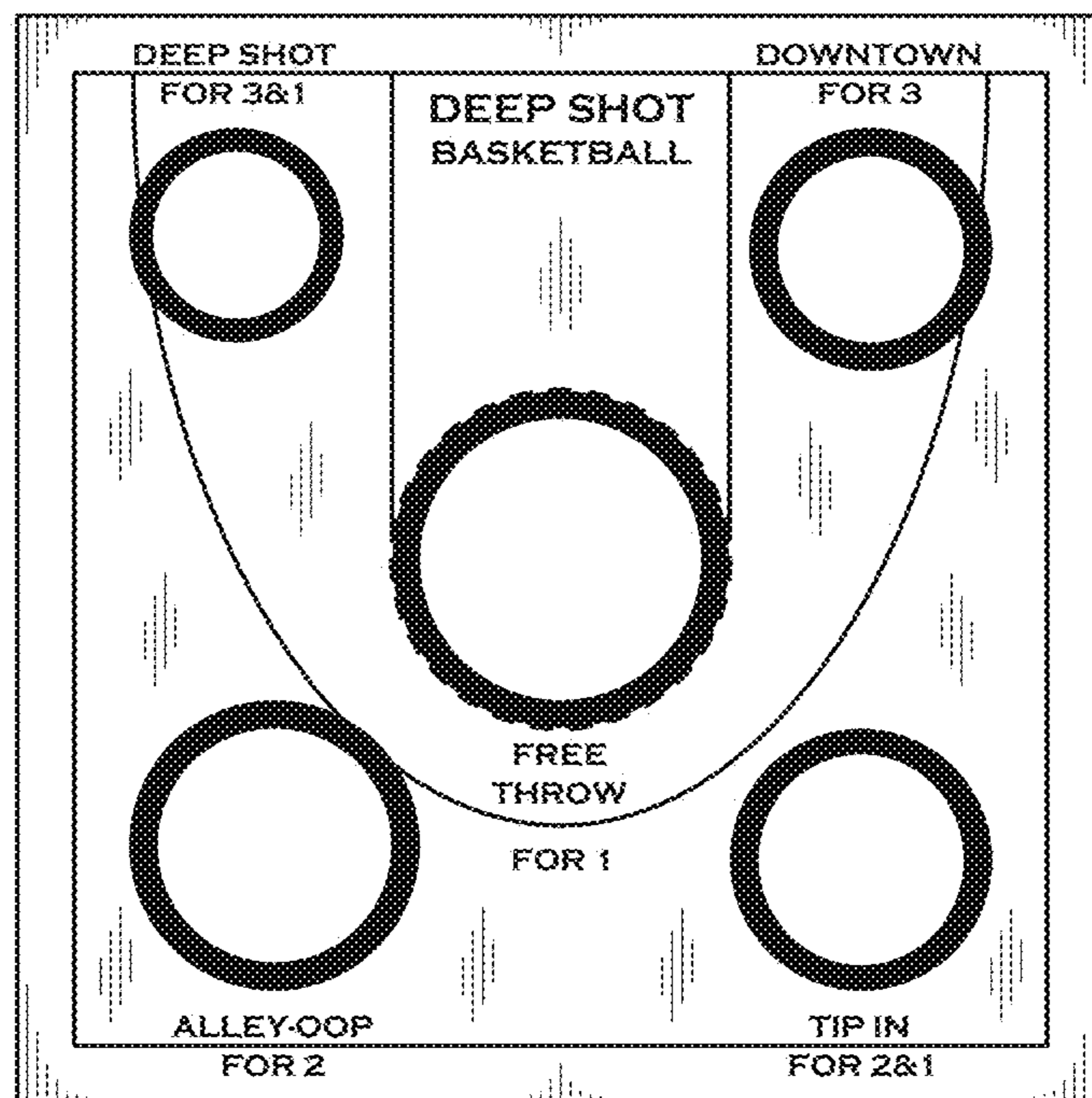


FIG. 1

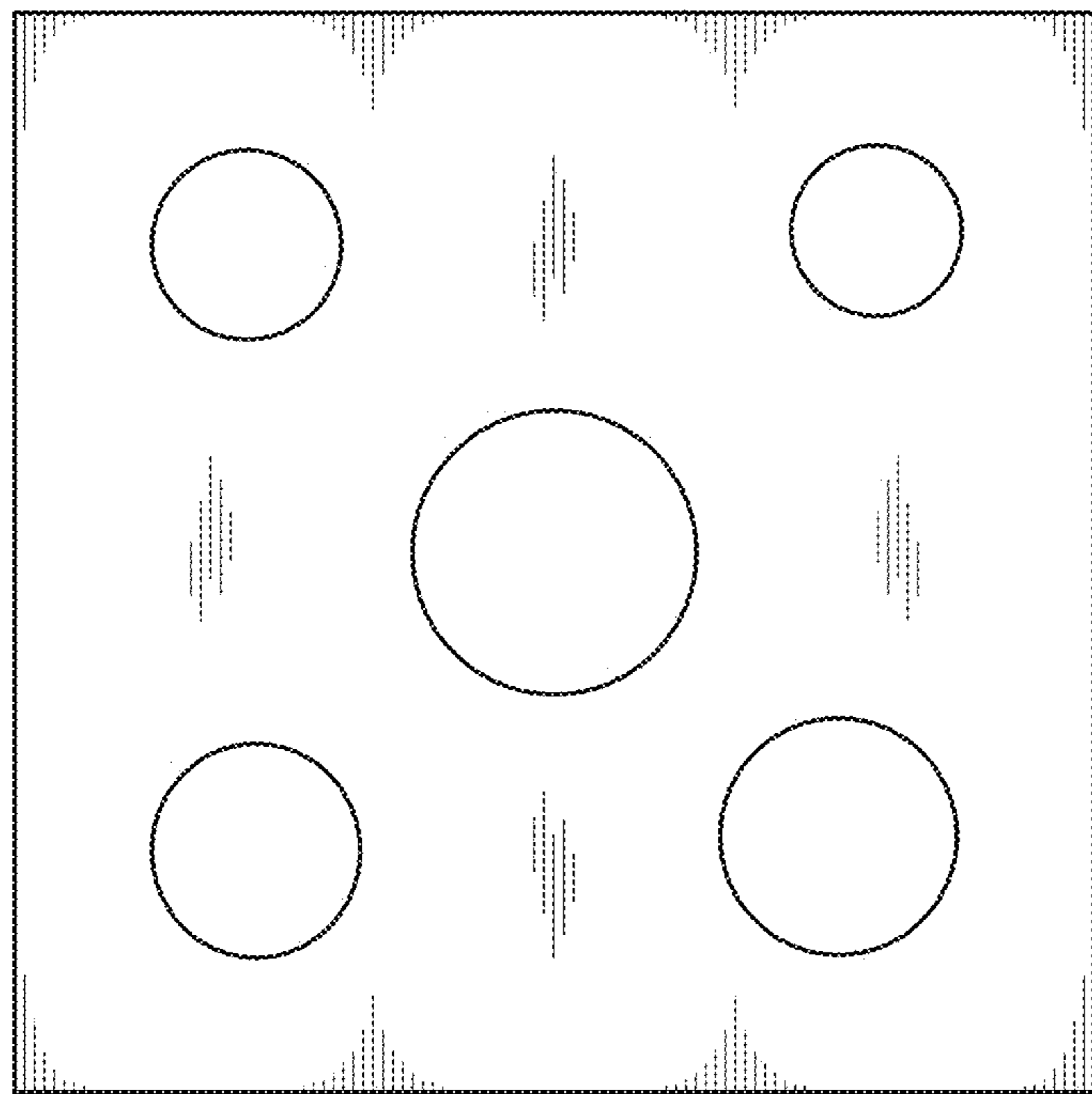


FIG. 2

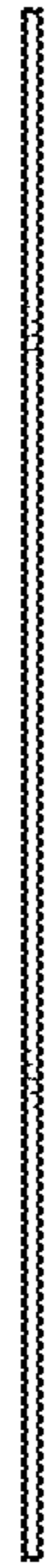


FIG. 3



FIG. 4

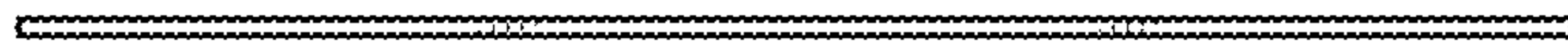


FIG. 5

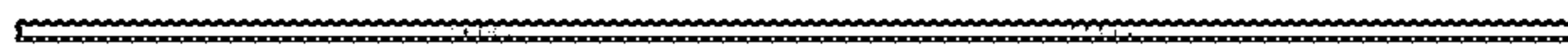


FIG. 6

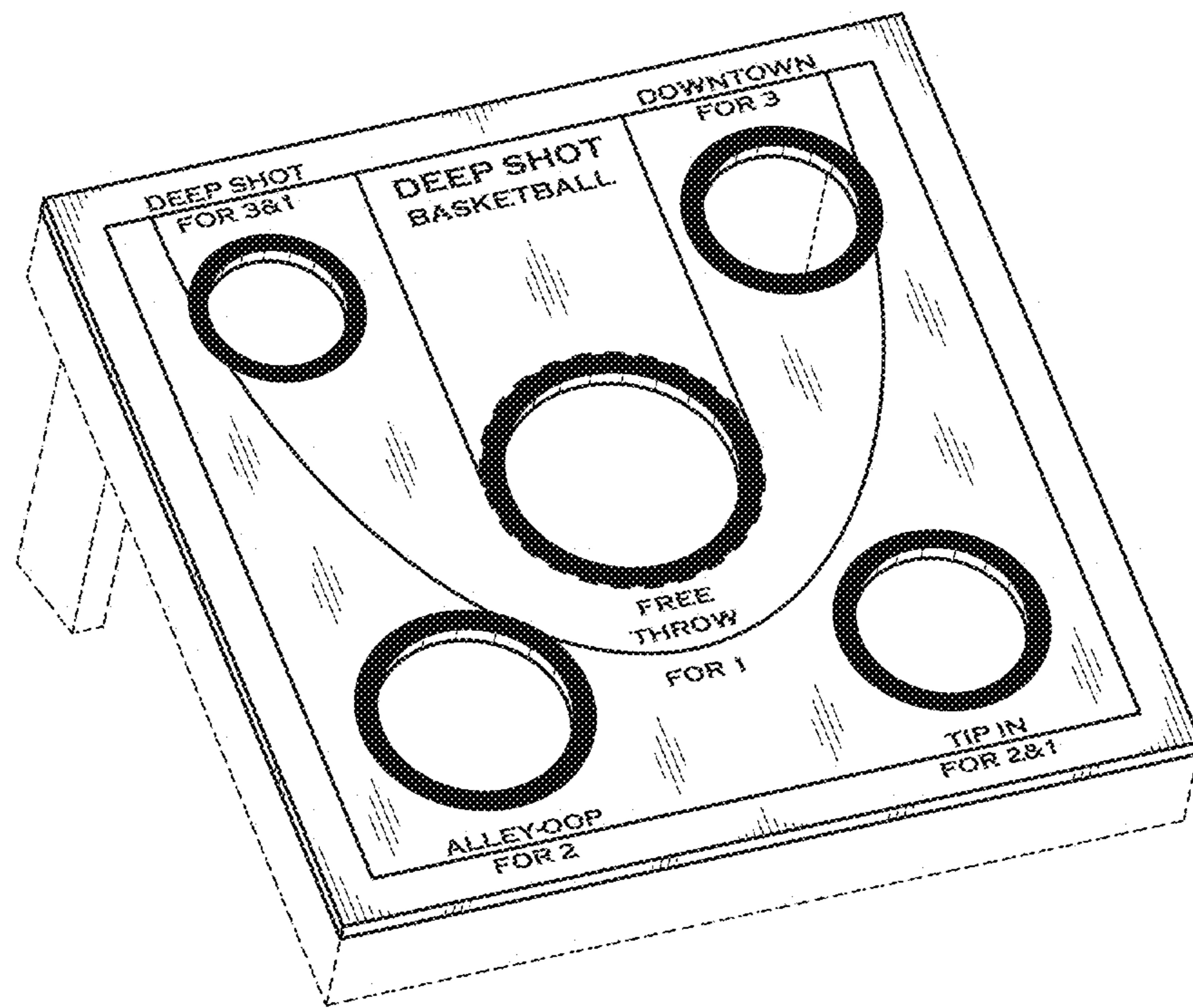


FIG. 7