



US00D955482S

(12) **United States Design Patent**  
**Turner**

(10) **Patent No.:** **US D955,482 S**  
(45) **Date of Patent:** **\*\* Jun. 21, 2022**

(54) **BEAN BAG TOSS GAME WITH INLAID LIGHTING**

(71) Applicant: **Indian Industries, Inc.**, Evansville, IN (US)

(72) Inventor: **Eric W. Turner**, Mt. Vernon, IN (US)

(73) Assignee: **INDIAN INDUSTRIES, INC.**, Evansville, IN (US)

(\*\*) Term: **15 Years**

(21) Appl. No.: **29/652,524**

(22) Filed: **Sep. 11, 2020**

(51) **LOC (13) Cl.** ..... **21-01**

(52) **U.S. Cl.**  
USPC ..... **D21/303**

(58) **Field of Classification Search**  
USPC ..... D21/300–307, 309, 319, 335, 312, 322, D21/324, 342, 386, 699, 705, 731, 771, D21/780, 789, 790, 791, 804, 805; 273/320, 332; 473/164, 172, 197, 436  
CPC ..... A63B 63/00; A63B 71/022; A63B 65/00; A63B 1/00; A63B 67/00; A63B 69/0079; A63B 2071/026; A63B 63/04; A63B 63/045; A63F 1/067; A47B 25/00  
See application file for complete search history.

(56) **References Cited**

**U.S. PATENT DOCUMENTS**

7,854,528	B2	12/2010	Segretto et al.	
D635,197	S *	3/2011	Pryor	D21/303
8,162,318	B1 *	4/2012	Peterson	A63B 67/06 273/343
D688,749	S *	8/2013	Pavony	D21/303
D706,353	S *	6/2014	Montenare	D21/303
D706,354	S *	6/2014	Montenare	D21/303
8,807,569	B1	8/2014	Davis	
D729,319	S *	5/2015	Meissner	D21/303
D741,951	S *	10/2015	Angel	D21/303

D781,960	S *	3/2017	Czwalga	D21/303
D827,031	S *	8/2018	Valladares	D21/303
D827,078	S *	8/2018	McAuley	D21/790
D860,324	S *	9/2019	Kennedy	D21/303
D868,917	S *	12/2019	Engler	D21/303

(Continued)

**OTHER PUBLICATIONS**

“How to make LED Cornhole Boards”, posted Jul. 27, 2018[Online], [retrieved Feb. 3, 2022]. Retrieved from Internet: <https://bit.ly/3HrGc28>.\*

(Continued)

*Primary Examiner* — Mehri F Bajoul

(74) *Attorney, Agent, or Firm* — Woodard, Emhardt, Henry, Reeves & Wagner, LLP

(57) **CLAIM**

The ornamental design for a bean bag toss game with inlaid lighting, as shown and described.

**DESCRIPTION**

FIG. 1 is a perspective view of the bean bag toss game with inlaid lighting.

FIG. 2 is a top view of the bean bag toss game with inlaid lighting.

FIG. 3 is a front end view of the bean bag toss game with inlaid lighting.

FIG. 4 is a right side view of the bean bag toss game with inlaid lighting.

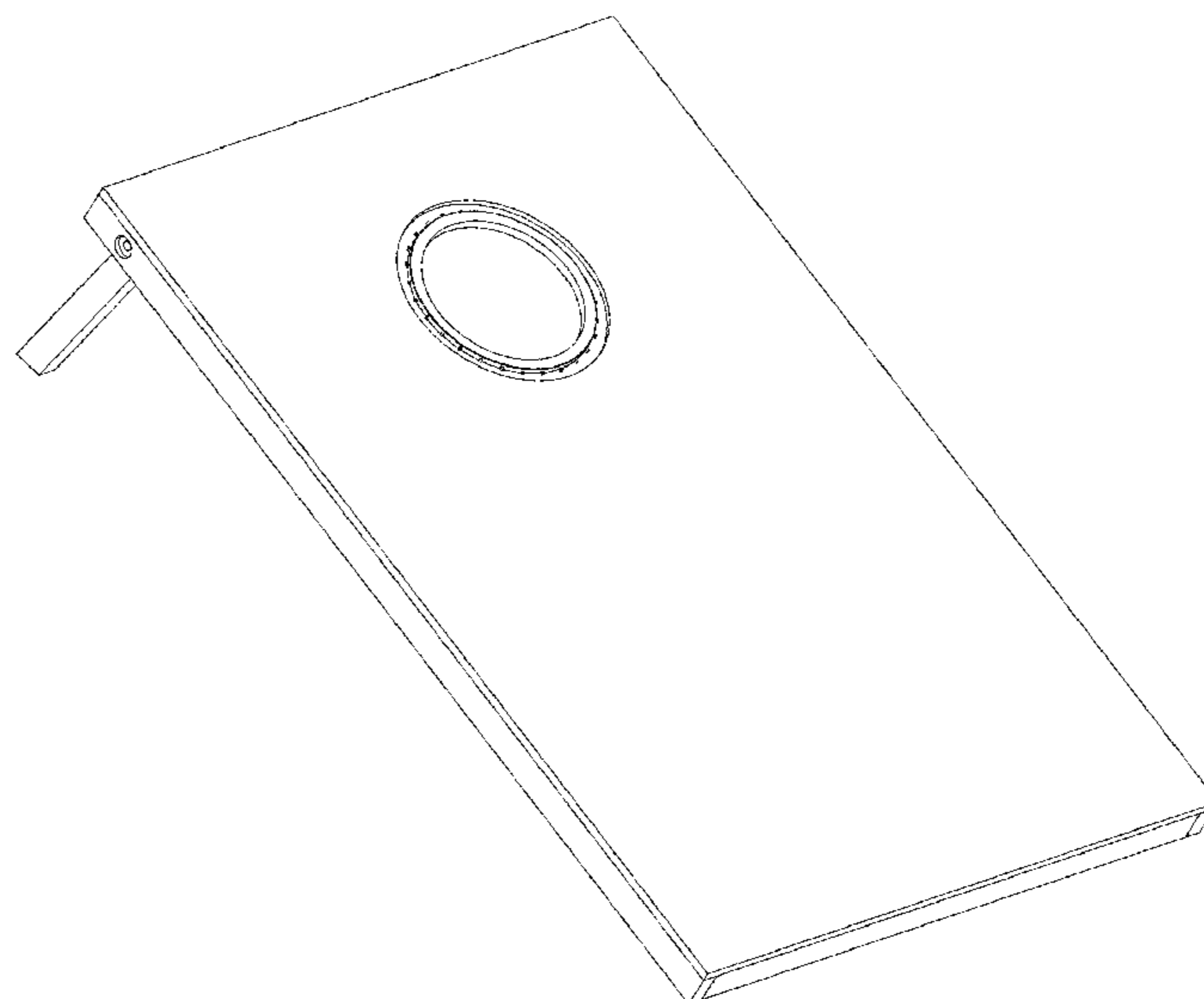
FIG. 5 is a left side view of the bean bag toss game with inlaid lighting.

FIG. 6 is a back end view of the bean bag toss game with inlaid lighting; and,

FIG. 7 is a bottom view of the bean bag toss game with inlaid lighting.

The broken line circle, in FIG. 2, depicts a portion of the bean bag toss game with inlaid lighting and forms no part of the claimed design.

**1 Claim, 7 Drawing Sheets**



(56)

**References Cited**

## U.S. PATENT DOCUMENTS

D876,549 S \* 2/2020 Wolters ..... D21/302  
D879,626 S \* 3/2020 Schrock ..... D10/46.1  
10,835,794 B1 \* 11/2020 McMahon ..... G01B 5/14  
D910,757 S \* 2/2021 Green ..... D21/303  
2010/0164175 A1 7/2010 Buchanan  
2012/0038109 A1 \* 2/2012 Battista ..... A63F 9/0204  
273/402  
2012/0235356 A1 \* 9/2012 Weiss ..... A63F 1/04  
273/398  
2015/0054221 A1 2/2015 Sandman et al.  
2021/0038958 A1 \* 2/2021 Kowtko ..... A63B 63/08  
2021/0060399 A1 \* 3/2021 Dingel ..... A63B 67/06  
2021/0308550 A1 10/2021 Li

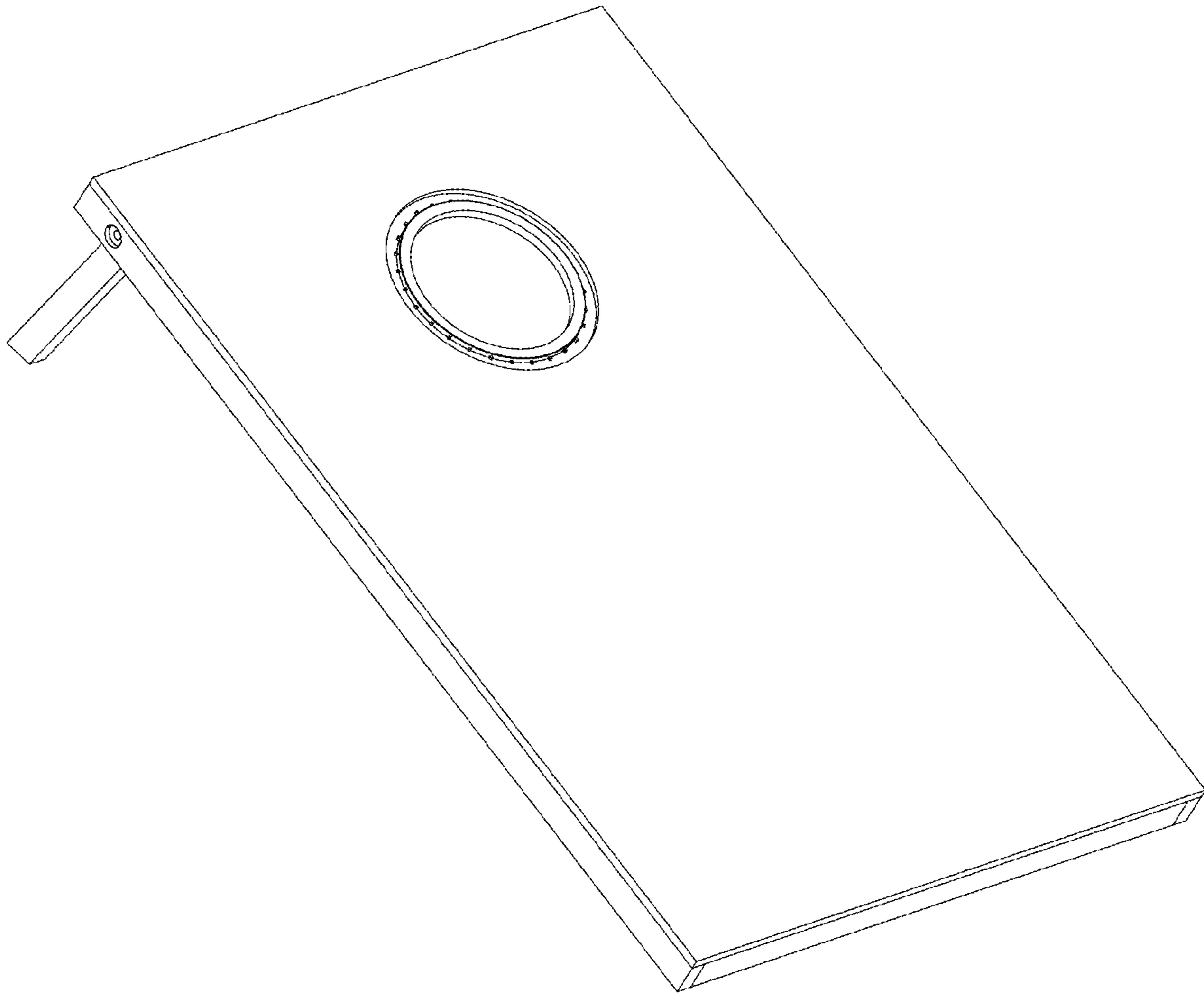
## OTHER PUBLICATIONS

“DIY LED Cornhole Boards”, posted Jun. 5, 2019 [Online], [retrieved Feb. 3, 2022]. Retrieved from Internet: <https://www.youtube.com/watch?v=11szSjfAbc0>.\*

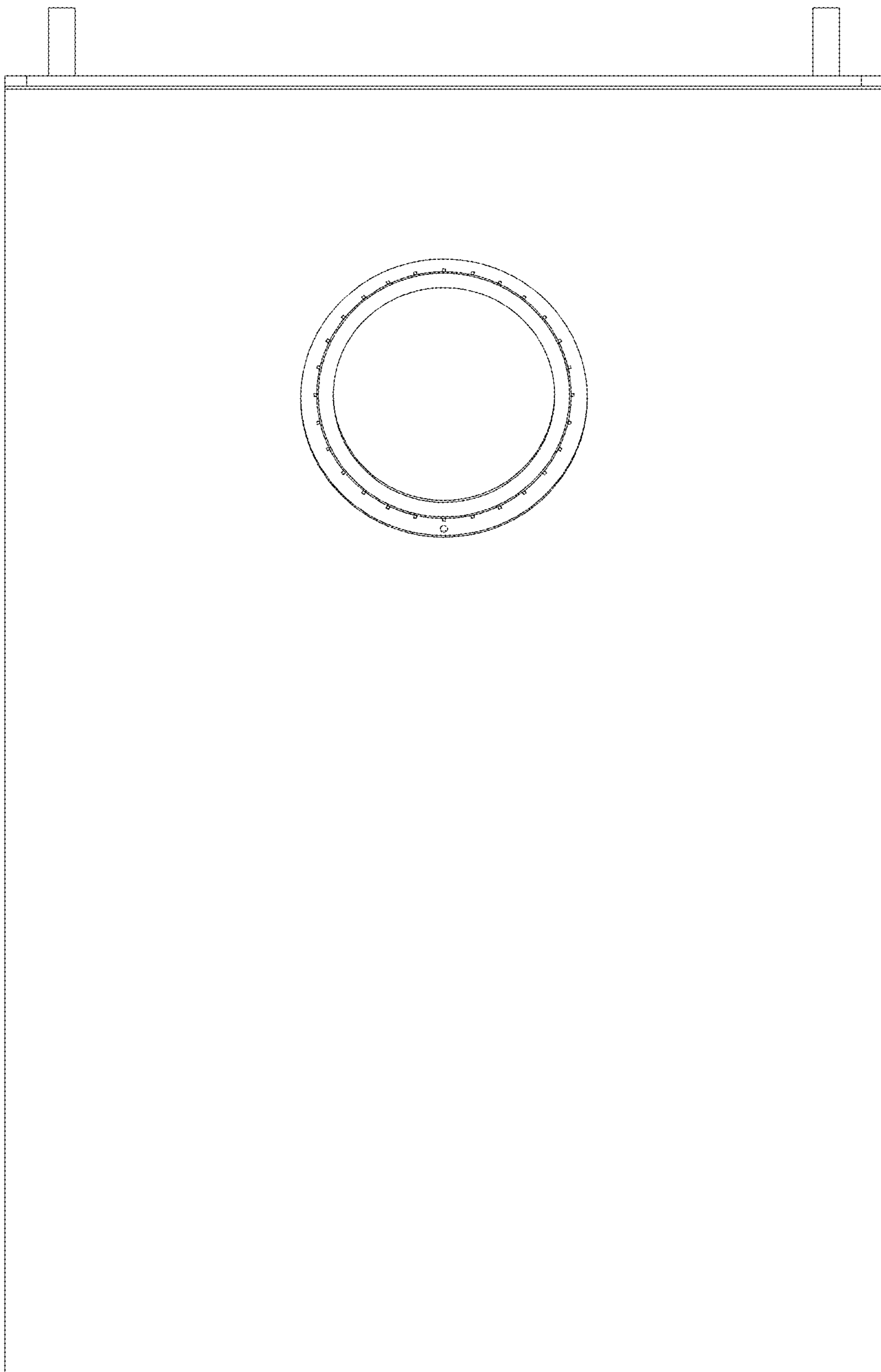
“DIY Controlled LED Cornhole Boards”, posted Jun. 6, 2019 [Online], [retrieved Feb. 3, 2022]. Retrieved from Internet: [https://www.youtube.com/watch?v=c\\_OALwXErkQ](https://www.youtube.com/watch?v=c_OALwXErkQ).\*

“DIY Controlled LED Cornhole Boards”, posted Oct. 16/2019 [Online], [retrieved Feb. 3, 2022]. Retrieved from Internet: <https://www.amazon.com/Tailgating-Pros-Cornhole-Boards-Built/dp/B07SKBCYV6>.\*

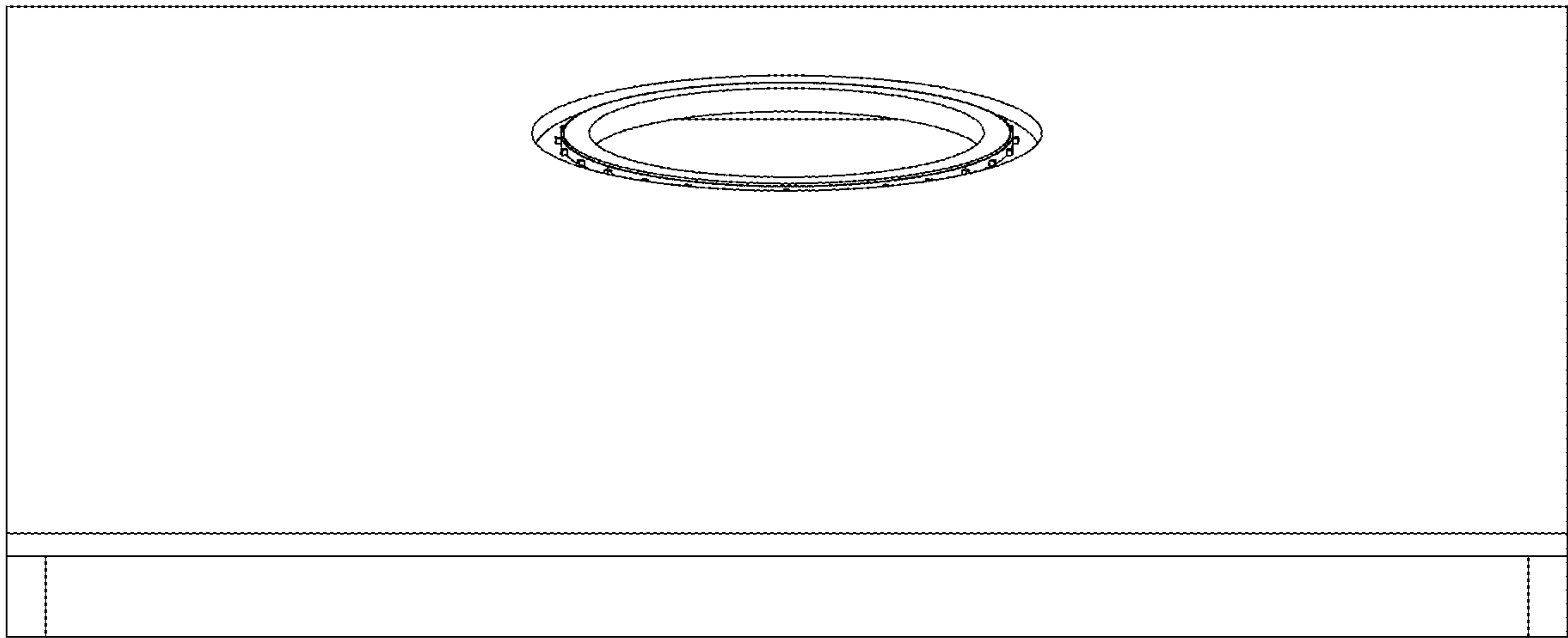
\* cited by examiner



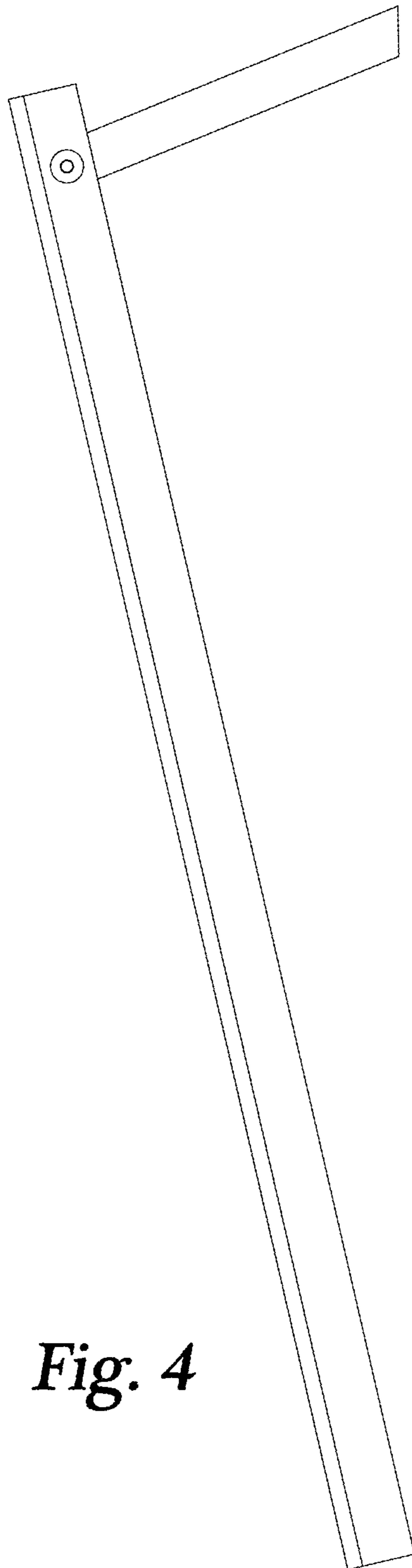
*Fig. 1*



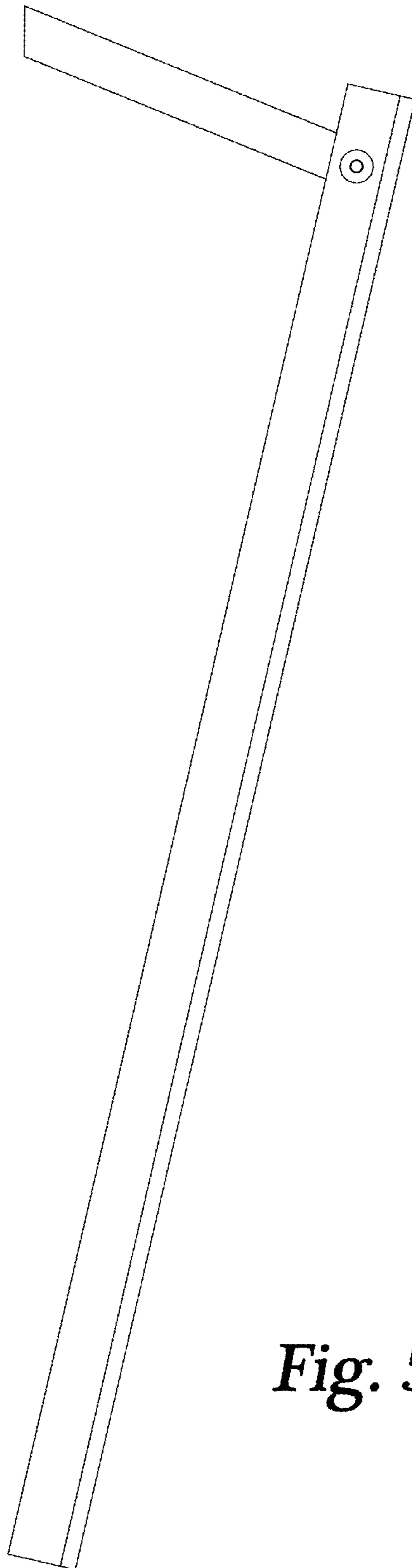
*Fig. 2*



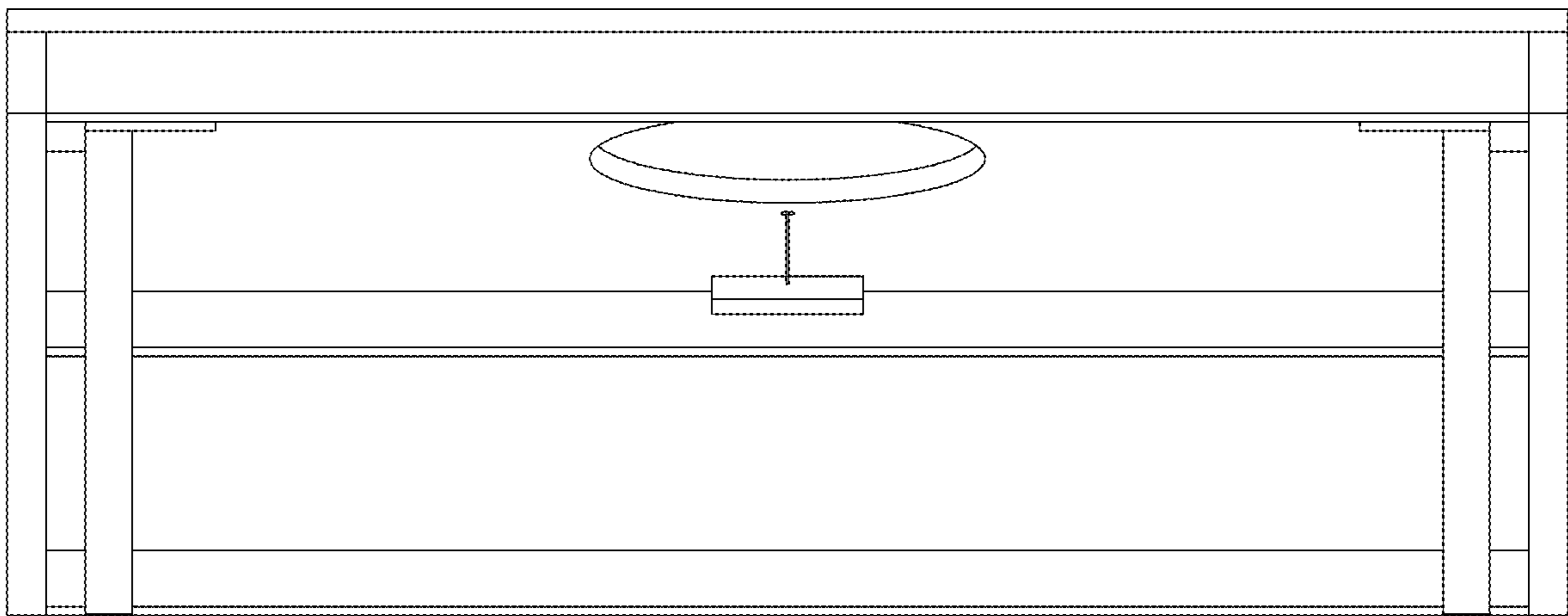
*Fig. 3*



*Fig. 4*

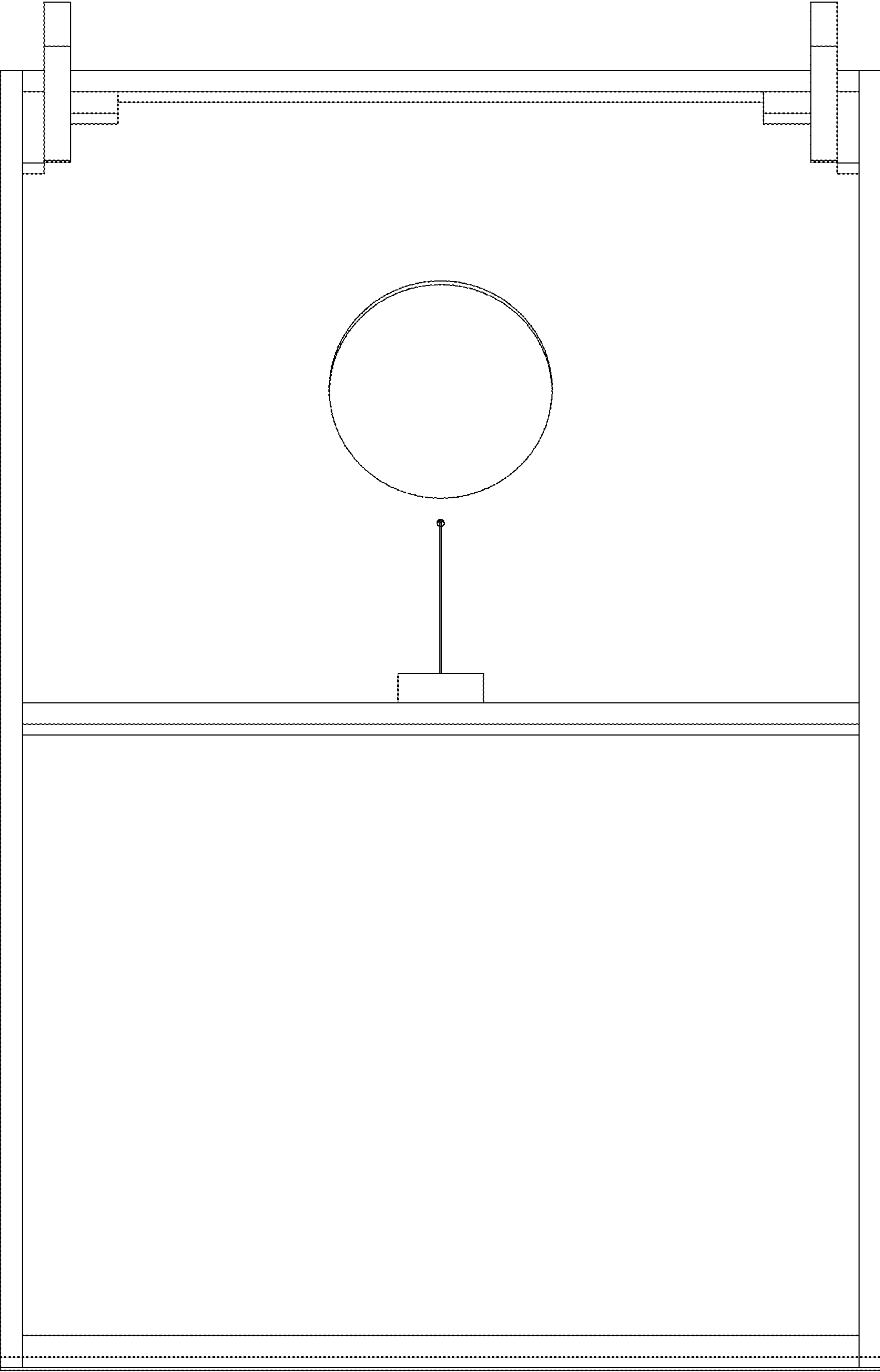


*Fig. 5*



*Fig. 6*





*Fig. 7*